



US00D861958S

(12) **United States Design Patent** (10) **Patent No.:** **US D861,958 S**
Winters (45) **Date of Patent:** **** Oct. 1, 2019**

(54) **SURFACE MOUNTED DOWNLIGHT**

(71) Applicant: **Eaton Intelligent Power Limited,**
Dublin (IE)

(72) Inventor: **Philip D. Winters,** Senoia, GA (US)

(73) Assignee: **Eaton Intelligent Power Limited,**
Dublin (IE)

(**) Term: **15 Years**

(21) Appl. No.: **29/654,287**

(22) Filed: **Jun. 22, 2018**

(51) **LOC (12) Cl.** **26-03**

(52) **U.S. Cl.**
USPC **D26/89**

(58) **Field of Classification Search**
USPC D26/72, 80, 83, 85, 86, 87, 88, 89
CPC F21S 8/03; F21S 8/04; F21S 8/043; F21S
8/046; F21S 8/06; F21S 8/061; F21S
8/063; F21V 21/02; F21V 21/03
See application file for complete search history.

(56) **References Cited**

U.S. PATENT DOCUMENTS

2,255,431	A *	9/1941	Marden	C09K 11/025 220/2.1 R
D607,138	S *	12/2009	Pickett	D26/128
D634,053	S *	3/2011	Guercio	D26/89
D667,985	S *	9/2012	Gielen	D26/89
D691,763	S *	10/2013	Hand	D26/89
D773,103	S *	11/2016	Recker	D26/89
D783,883	S *	4/2017	Cortez	D26/89
D800,370	S *	10/2017	Sonneman	D26/89
D832,487	S *	10/2018	Sieczkowski	D26/89
D840,575	S *	2/2019	Dyck	D26/72
2007/0253192	A1 *	11/2007	Monteiro	F21V 15/00 362/147
2010/0091503	A1 *	4/2010	Kuo	F21S 8/04 362/362

2012/0262921	A1 *	10/2012	Boomgaarden	F21S 8/026 362/249.02
2015/0338071	A1 *	11/2015	Feit	F21S 8/036 362/370
2016/0018093	A1 *	1/2016	Van Winkle	F21V 3/0625 362/311.02
2017/0009962	A1 *	1/2017	Feit	F21V 21/03
2017/0159899	A1 *	6/2017	Liu	F21S 8/02
2018/0259163	A1 *	9/2018	Harris	F21V 17/002
2018/0335185	A1 *	11/2018	Boulanger	F21L 4/08

OTHER PUBLICATIONS

Miseno Low Profile Surface Mount Down Light Model No. MLIT-4K09-8358WH. Date first available at amazon.com—May 2, 2017. (Year: 2017).*

* cited by examiner

Primary Examiner — Clare E Heflin

(74) *Attorney, Agent, or Firm* — King & Spalding LLP

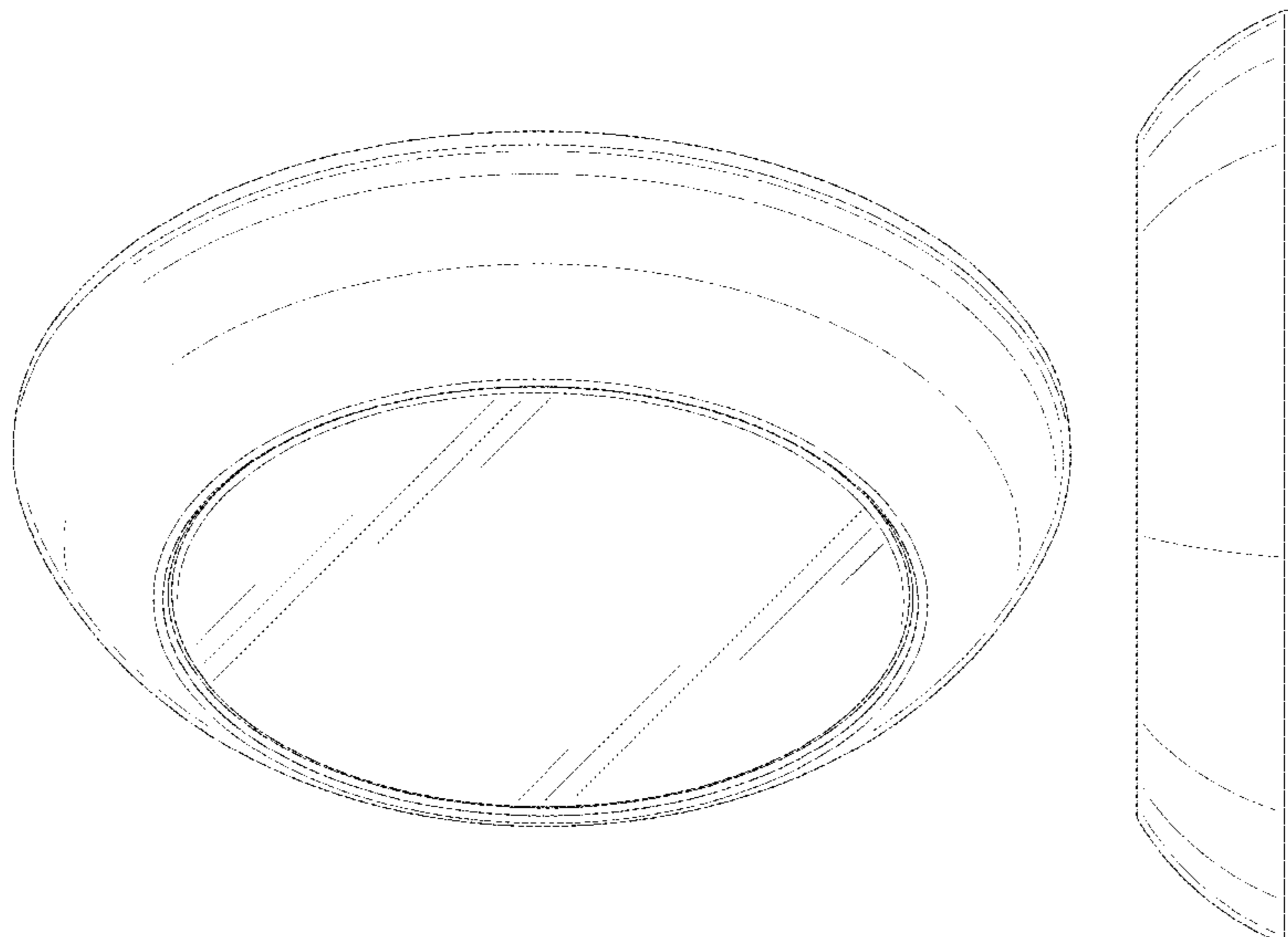
(57) **CLAIM**

The ornamental design for a surface mounted downlight, as shown and described.

DESCRIPTION

FIG. 1 is a bottom perspective view of a surface mounted downlight, showing my new design; FIG. 2 is a top perspective view thereof; FIG. 3 is a bottom plan view thereof; FIG. 4 is a top plan view thereof; FIG. 5 is a right side view thereof, the left side view being the mirror image of the right side view; and, FIG. 6 is a front side view thereof, the back side view being the mirror image of the front side view. The broken lines shown in the figures represent portions of the surface mounted downlight that form no part of the claimed design.

1 Claim, 6 Drawing Sheets



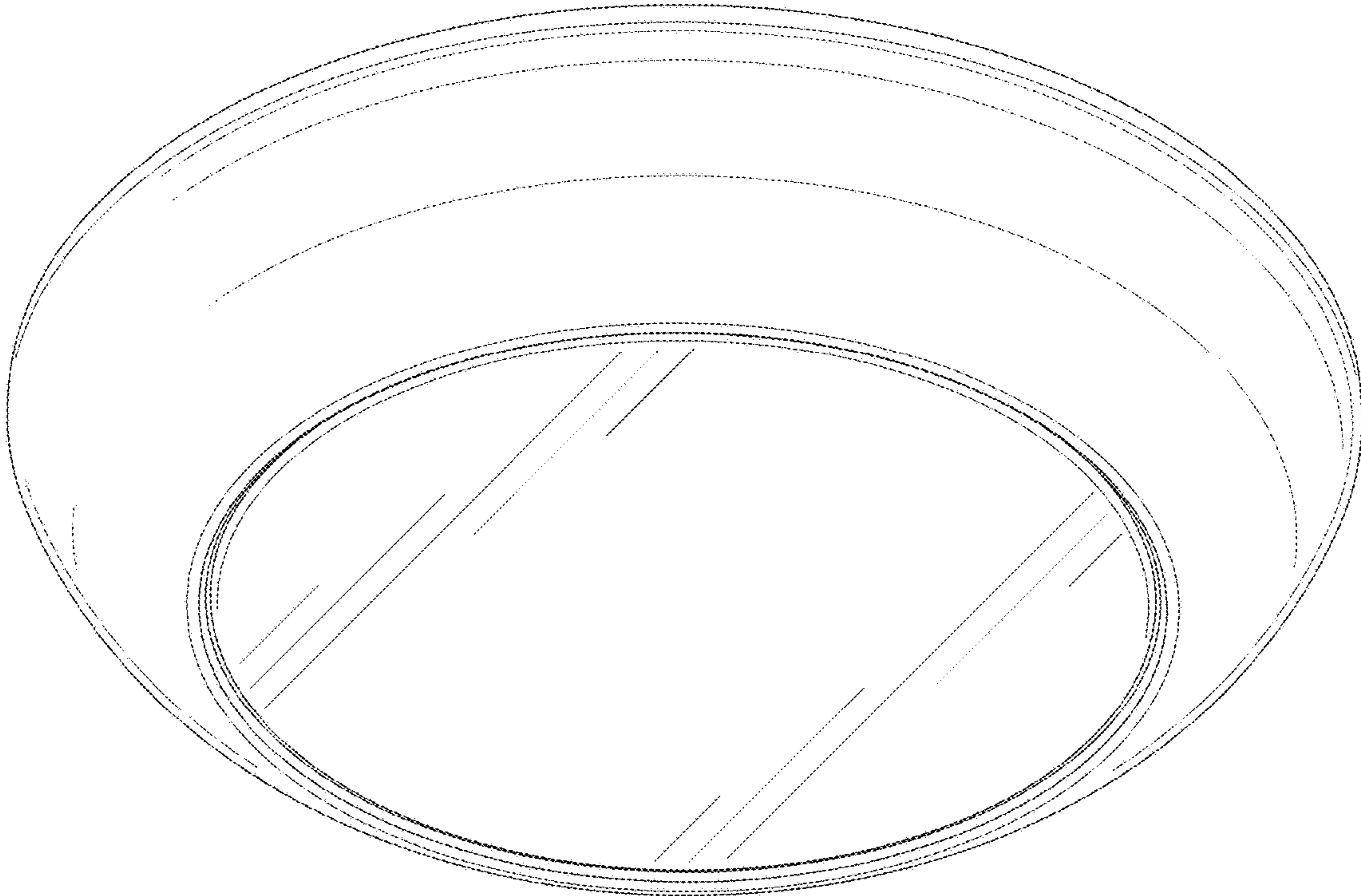


FIG. 1

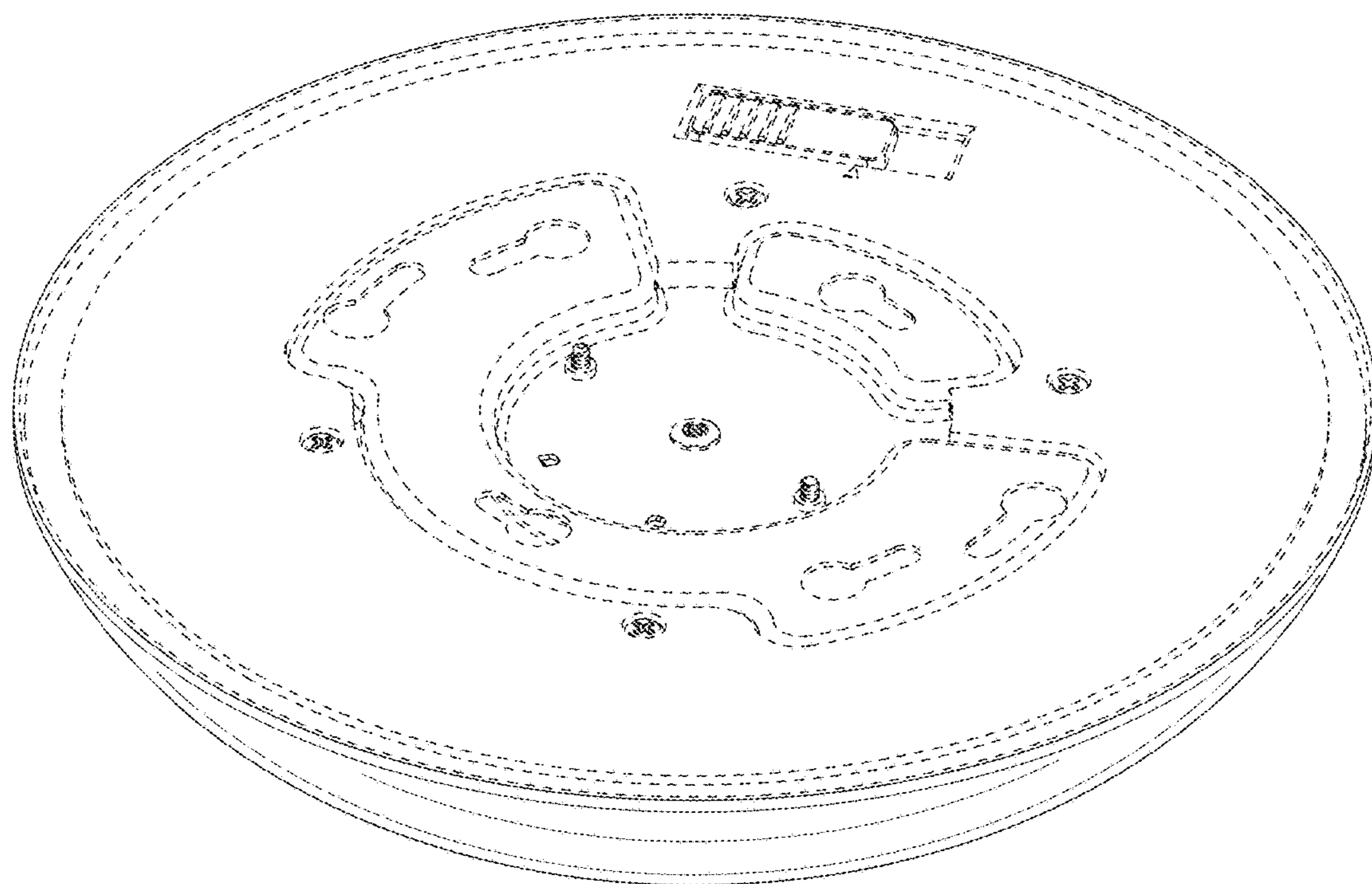


FIG. 2

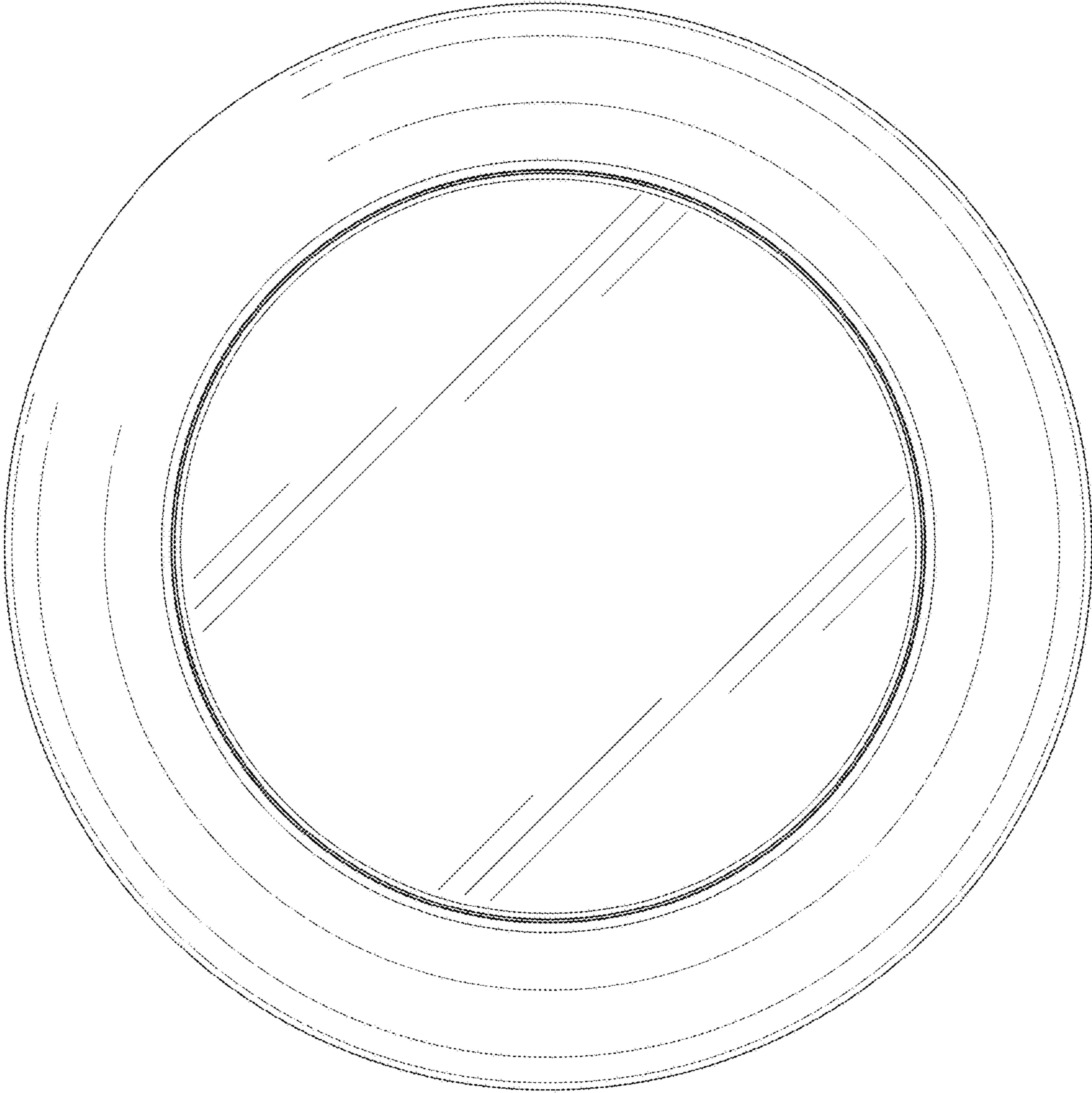


FIG. 3

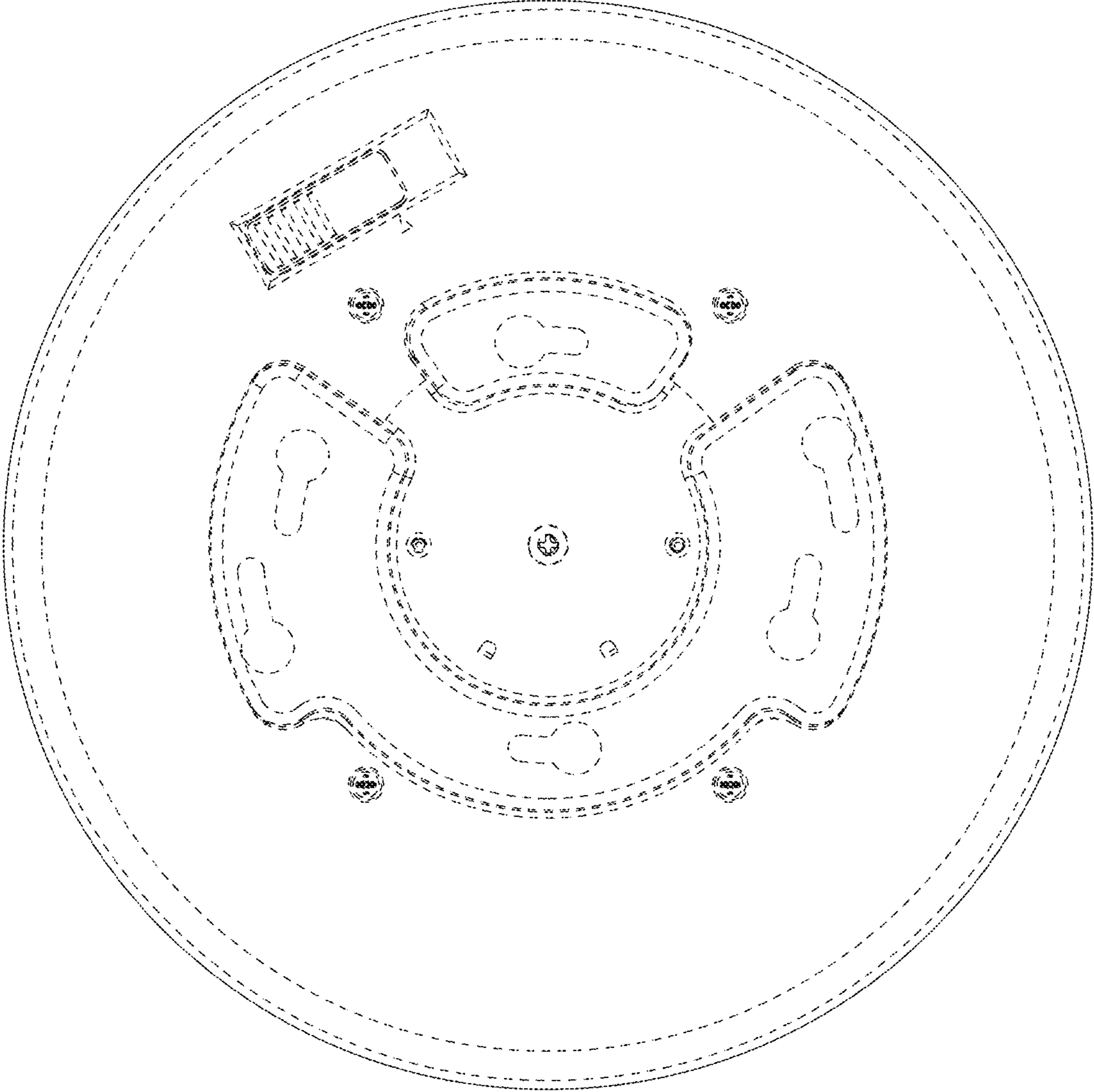


FIG. 4

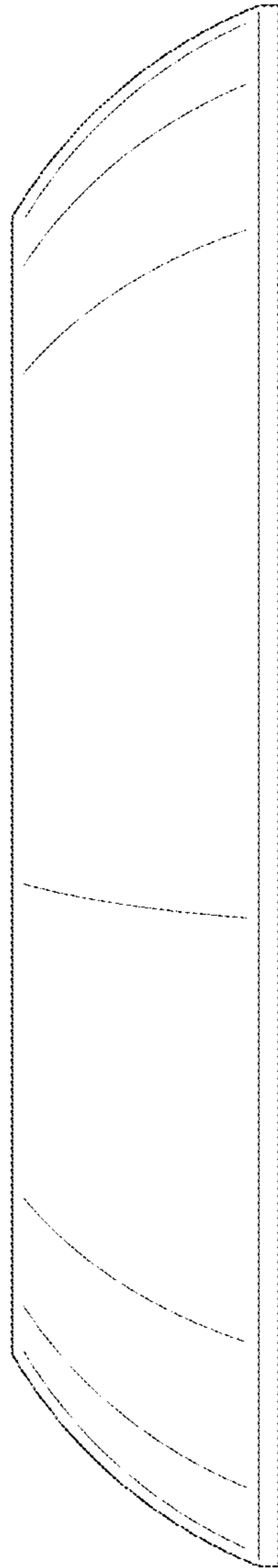


FIG. 5

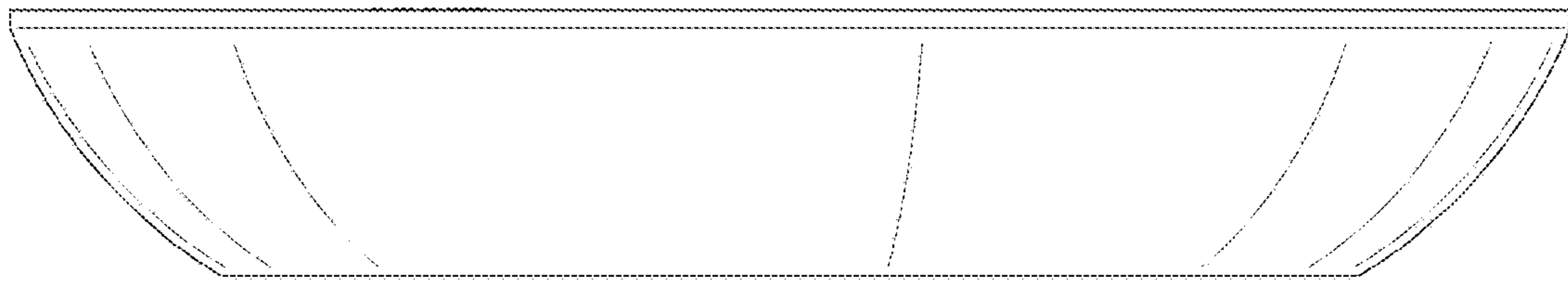


FIG. 6