



US00D861957S

(12) **United States Design Patent** (10) **Patent No.:** **US D861,957 S**
Liu (45) **Date of Patent:** **** Oct. 1, 2019**

(54) **FIREWORK LAMP**

(71) Applicant: **Yu Liu**, Huaibei (CN)

(72) Inventor: **Yu Liu**, Huaibei (CN)

(**) Term: **15 Years**

(21) Appl. No.: **29/654,384**

(22) Filed: **Jun. 22, 2018**

(51) **LOC (12) Cl.** **26-03**

(52) **U.S. Cl.**
USPC **D26/88**; D26/91

(58) **Field of Classification Search**
USPC D26/80, 81, 82, 83, 84, 85, 86, 88, 90,
D26/91, 131, 135, 73
CPC F21S 8/03; F21S 8/04; F21S 8/043; F21S
8/046; F21S 8/06; F21S 8/061; F21S
8/063; F21S 8/065; F21S 8/068
See application file for complete search history.

(56) **References Cited**

U.S. PATENT DOCUMENTS

D100,939 S *	8/1936	D'Aschbach	D26/80
D136,518 S *	10/1943	Hofstetter	D26/73
3,018,362 A *	1/1962	Joyce	F21S 8/065
				362/121
D570,526 S *	6/2008	Cenedese	D26/88
D663,884 S *	7/2012	Baylar	D26/88
D685,513 S *	7/2013	Salvadori	D26/88
D719,698 S *	12/2014	Mollaghaffari	D26/81
D731,105 S *	6/2015	Blackman	D26/88
D754,903 S *	4/2016	Sabernig	D26/83
D756,024 S *	5/2016	Modoni	F21S 6/00
				D26/118
D807,560 S *	1/2018	Jones	D26/81
D828,945 S *	9/2018	Crocker	F21S 8/065
				D26/81
10,161,601 B1 *	12/2018	Chen	F21S 6/00

OTHER PUBLICATIONS

Vintage Starburst Style Chandelier in Chrome and Glass, 20th Century, Reference No. 13041188932749 at 1stdibs.com, visited May 7, 2019. (Year: 1999).*
Fireworks Glass Kou Chandelier/Designer Reproduction at Imodernlighting.com visited May 7, 2019. (Year: 2019).*
Astro Down Chandelier, Chrome, Mid-Century by Lampclick. At houzz.com visited May 7, 2019. (Year: 2019).*
Italian Murano Glass Starburst Chandelier, 1970s for sale at Pamono.com, visited May 7, 2019. (Year: 1979).*

* cited by examiner

Primary Examiner — Clare E Heflin

(74) *Attorney, Agent, or Firm* — Erson IP (Nelson IP)

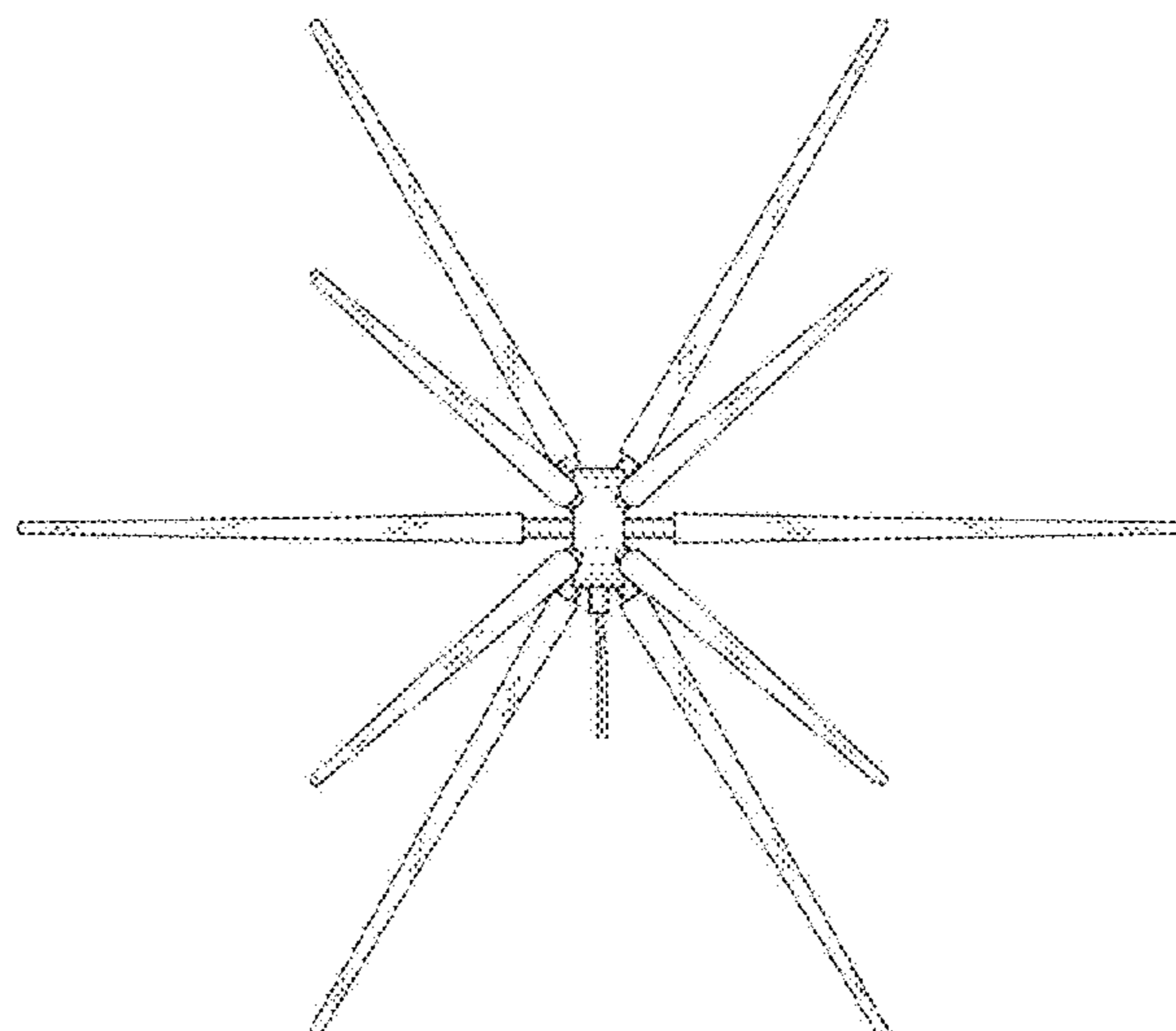
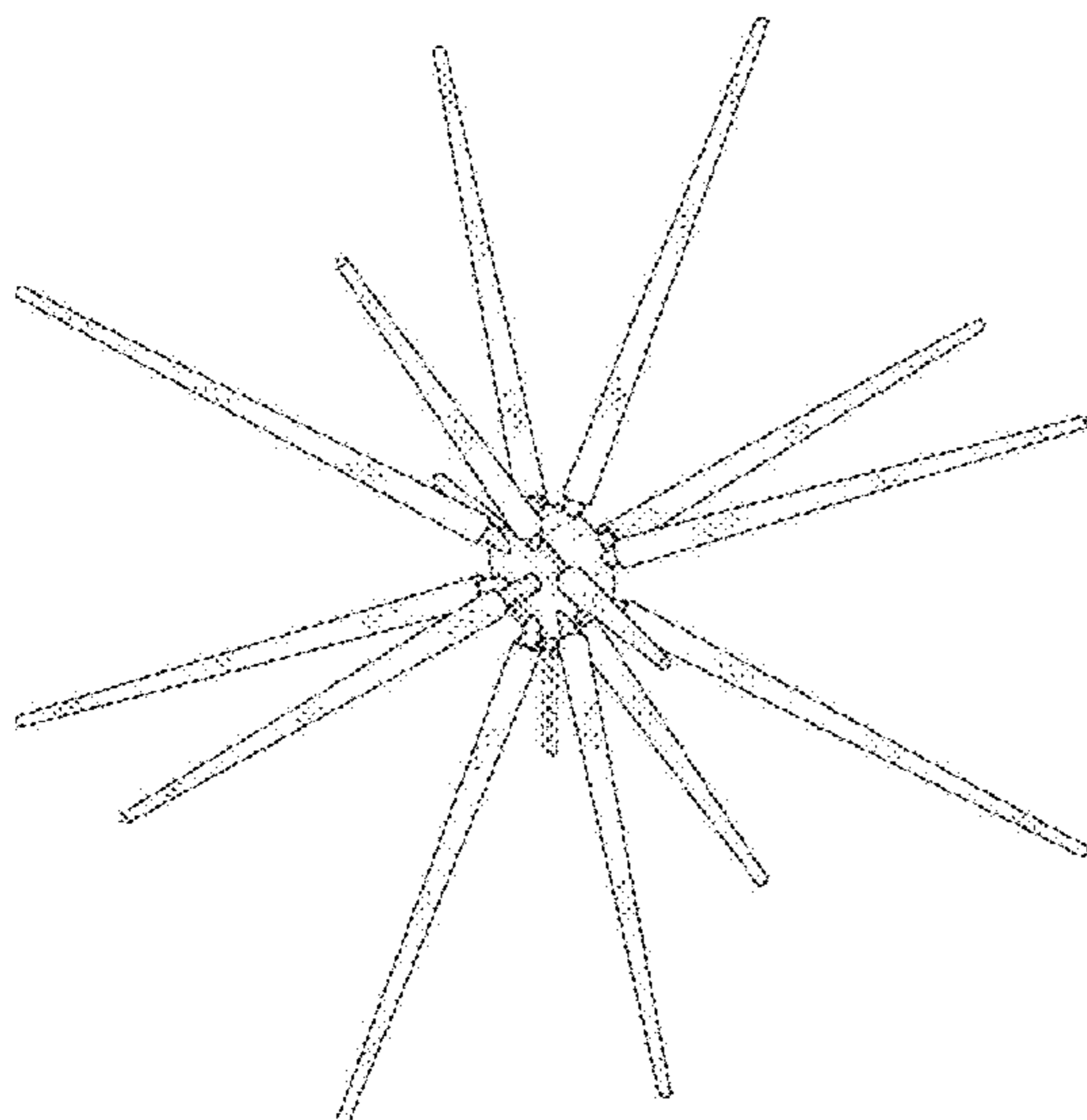
(57) **CLAIM**

The ornamental design for a firework lamp, as shown and described.

DESCRIPTION

FIG. 1 is a perspective view of a firework lamp showing my new design;
FIG. 2 is another perspective view thereof;
FIG. 3 is a front view thereof;
FIG. 4 is a rear view thereof;
FIG. 5 is a left side view thereof;
FIG. 6 is a right side view thereof;
FIG. 7 is a top plan view thereof; and,
FIG. 8 is a bottom plan view thereof.
The broken lines are for the purposes of illustrating portions of the firework lamp and form no part of the claimed design.

1 Claim, 8 Drawing Sheets



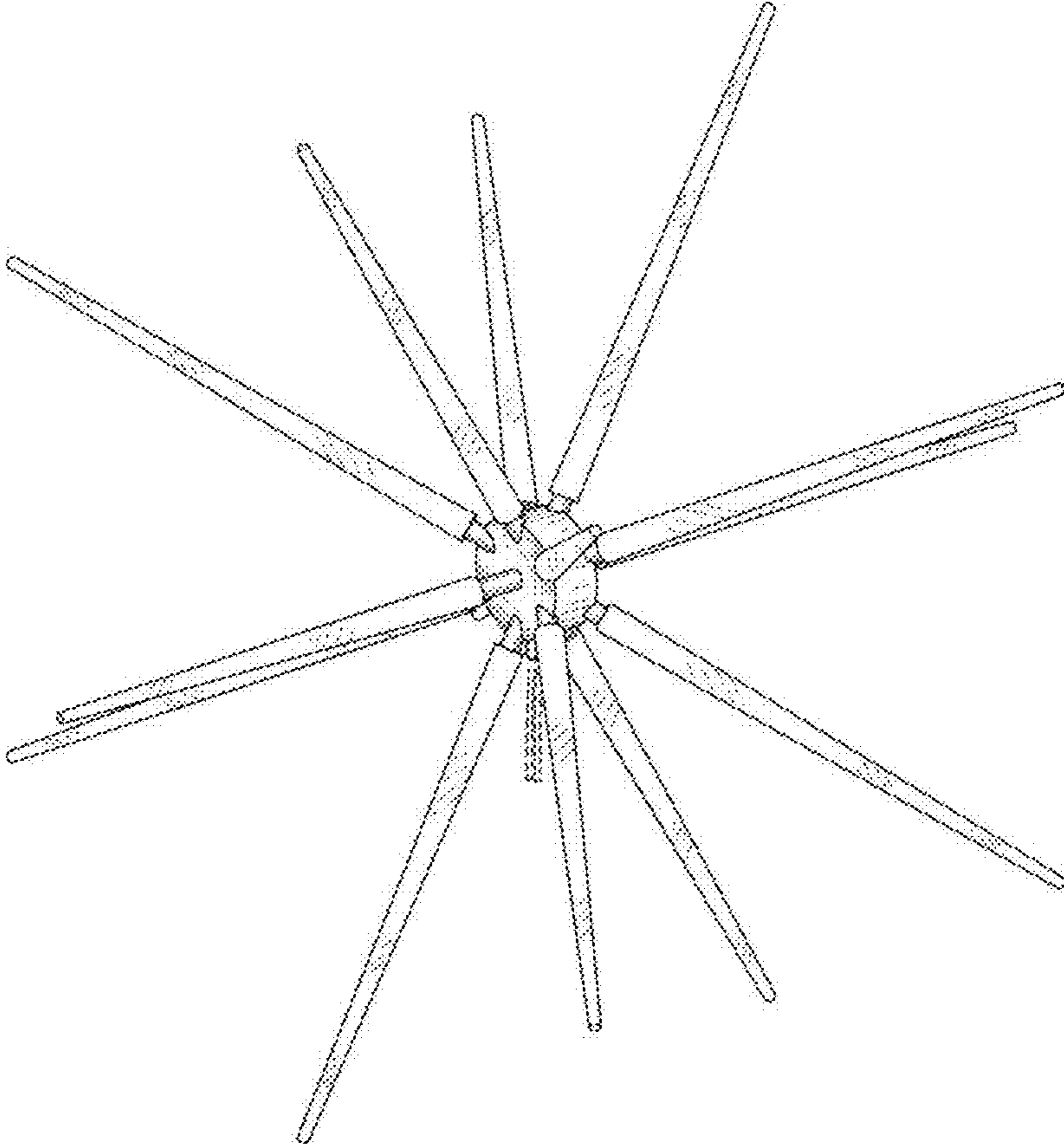


Fig. 1

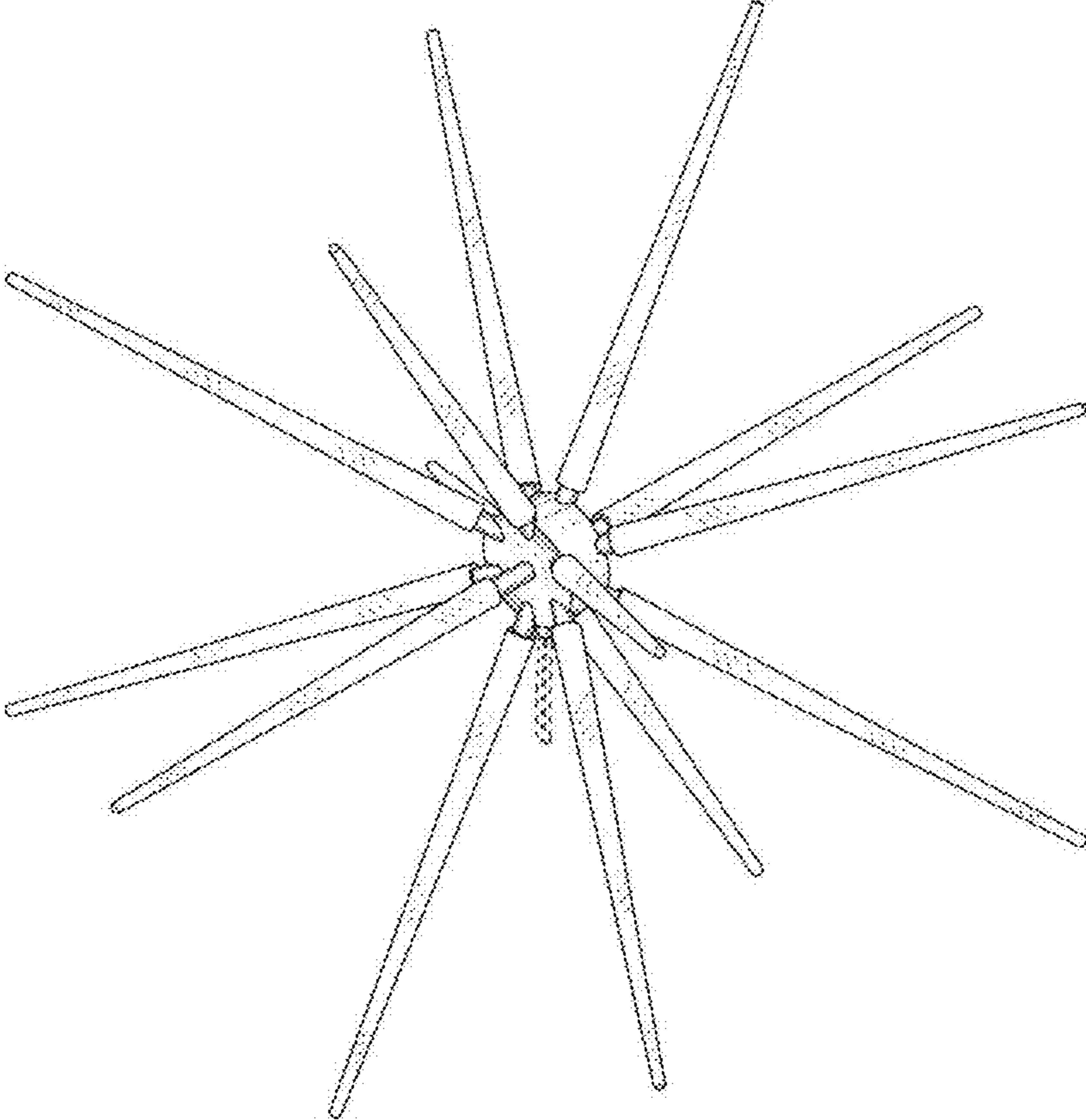


Fig. 2

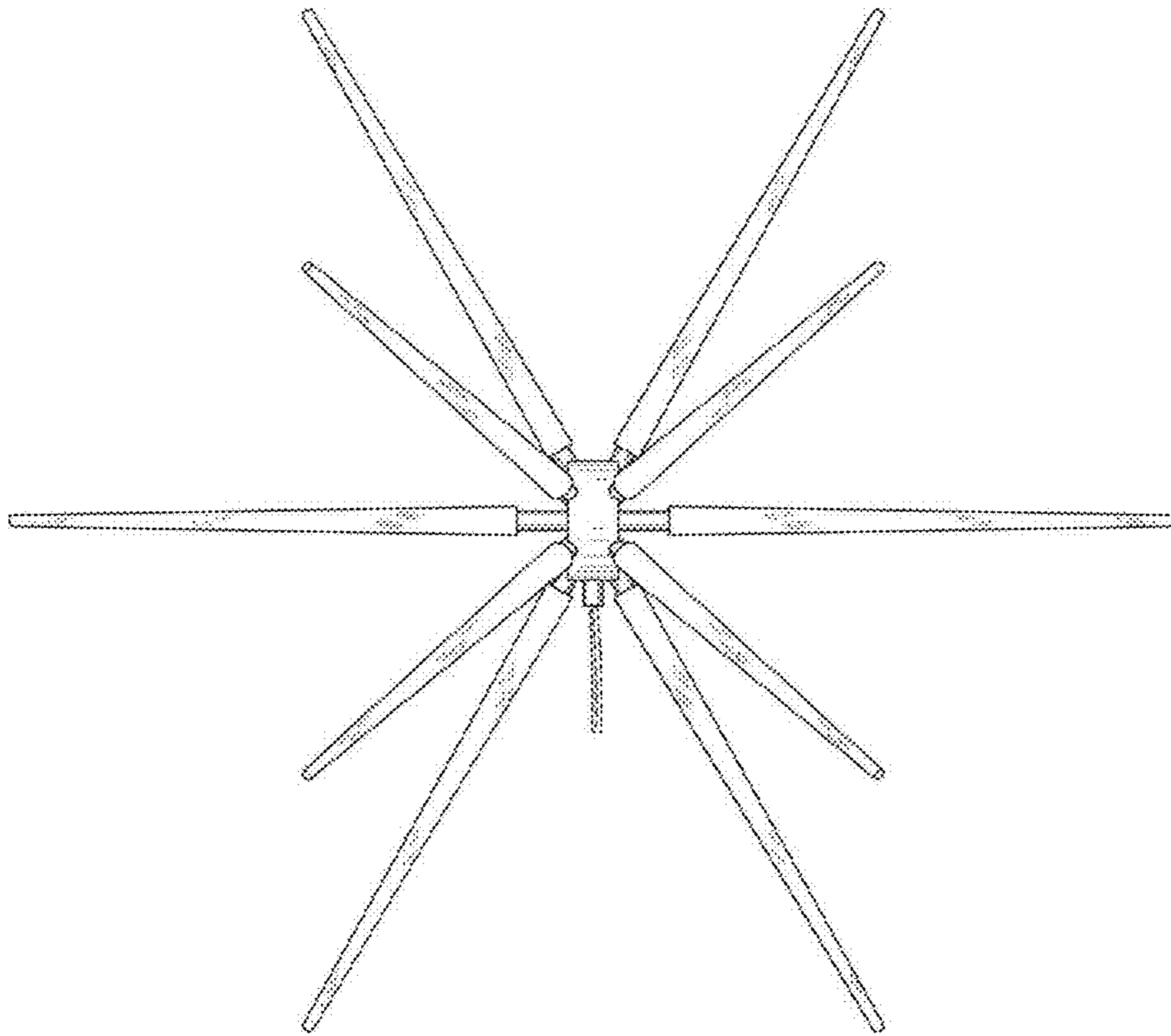


Fig. 3

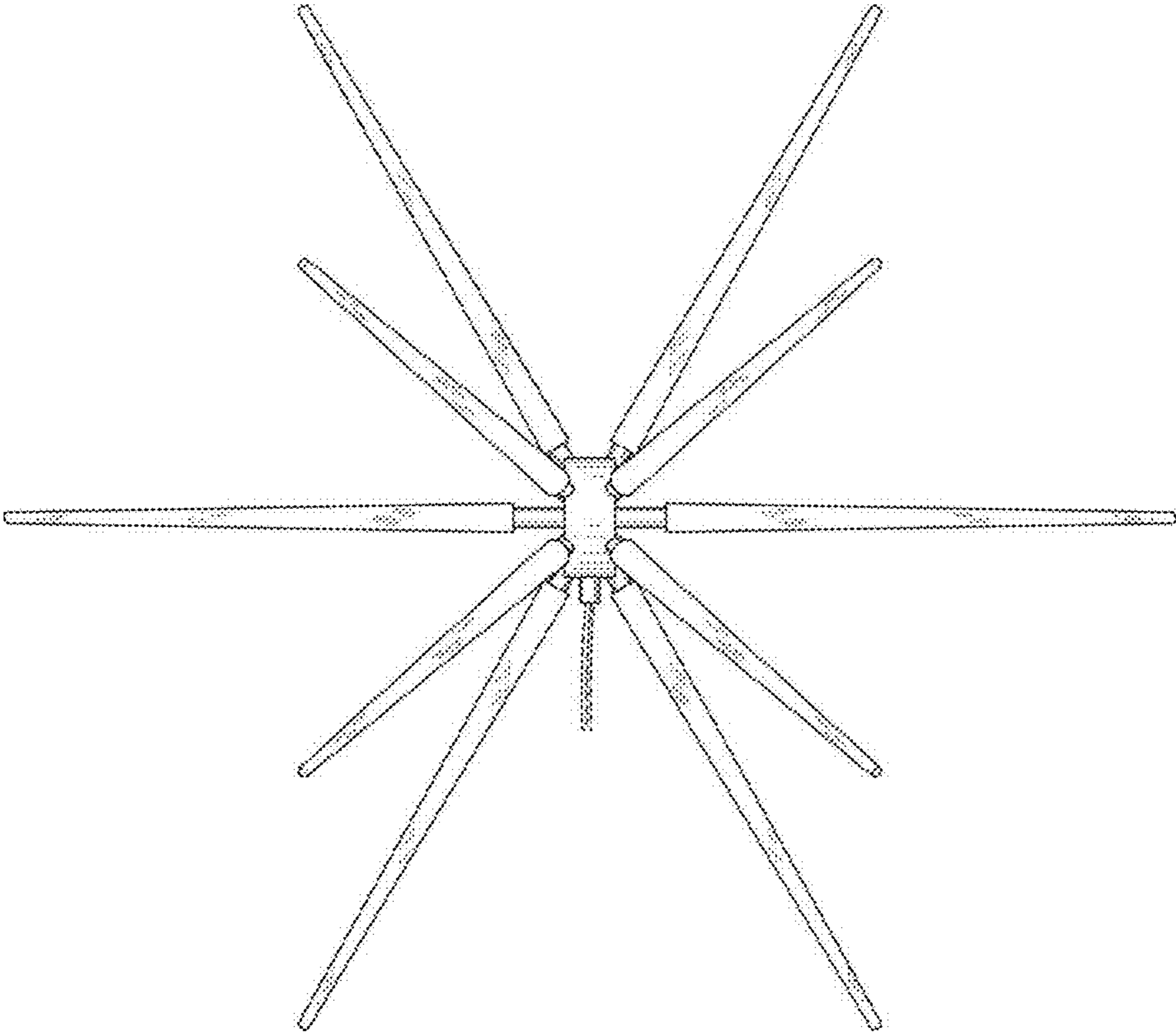


Fig. 4

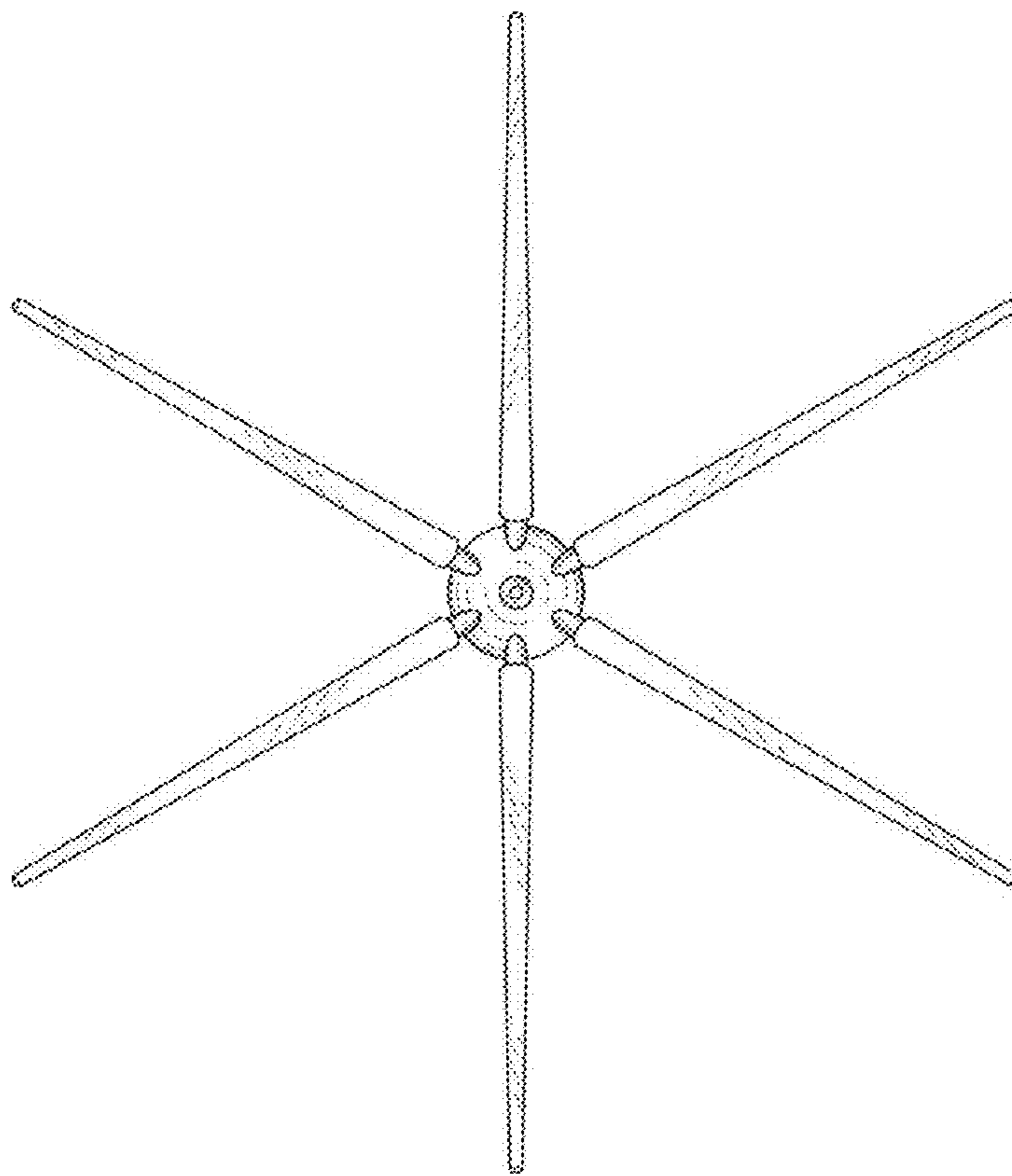


Fig. 5

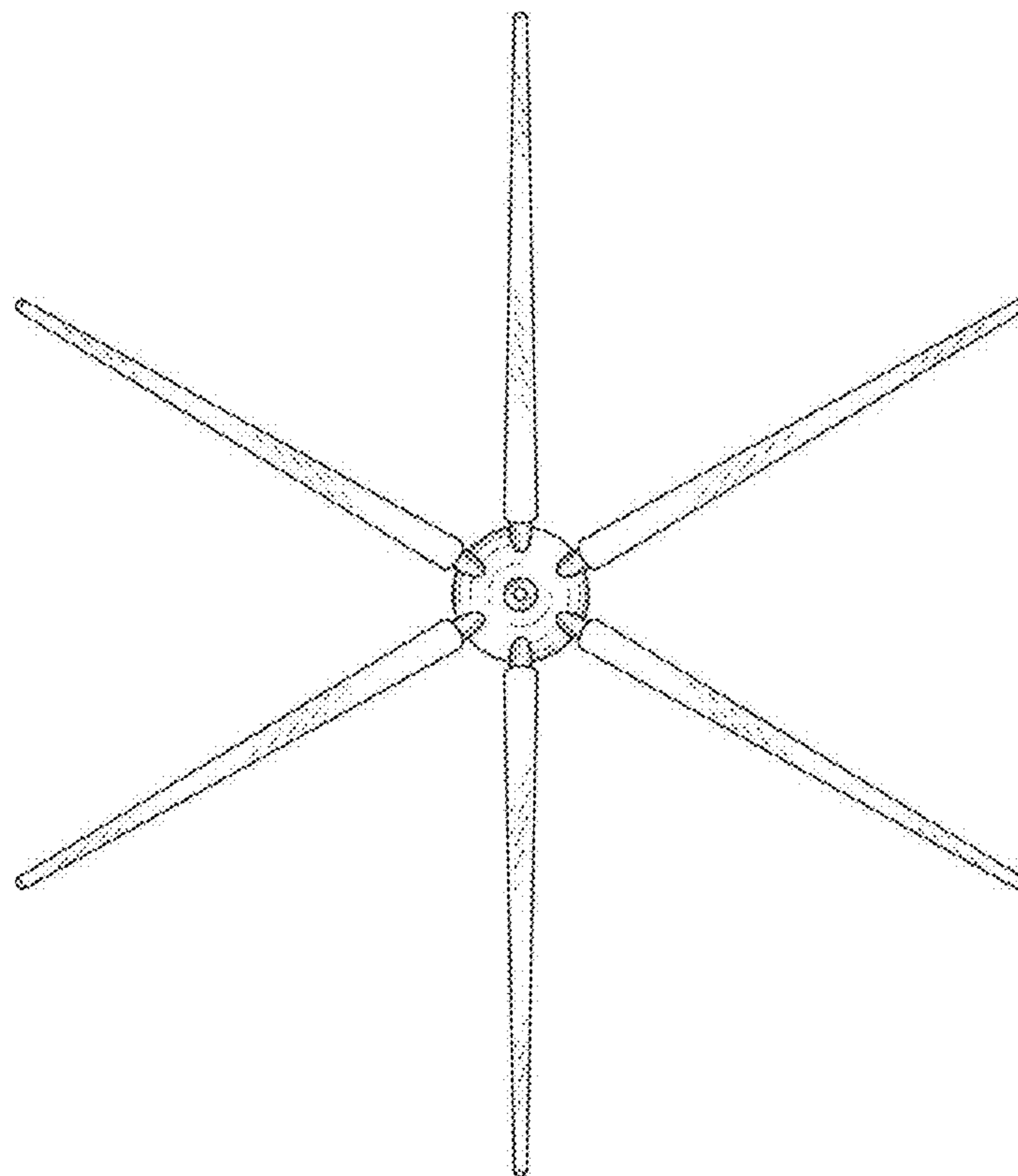


Fig. 6

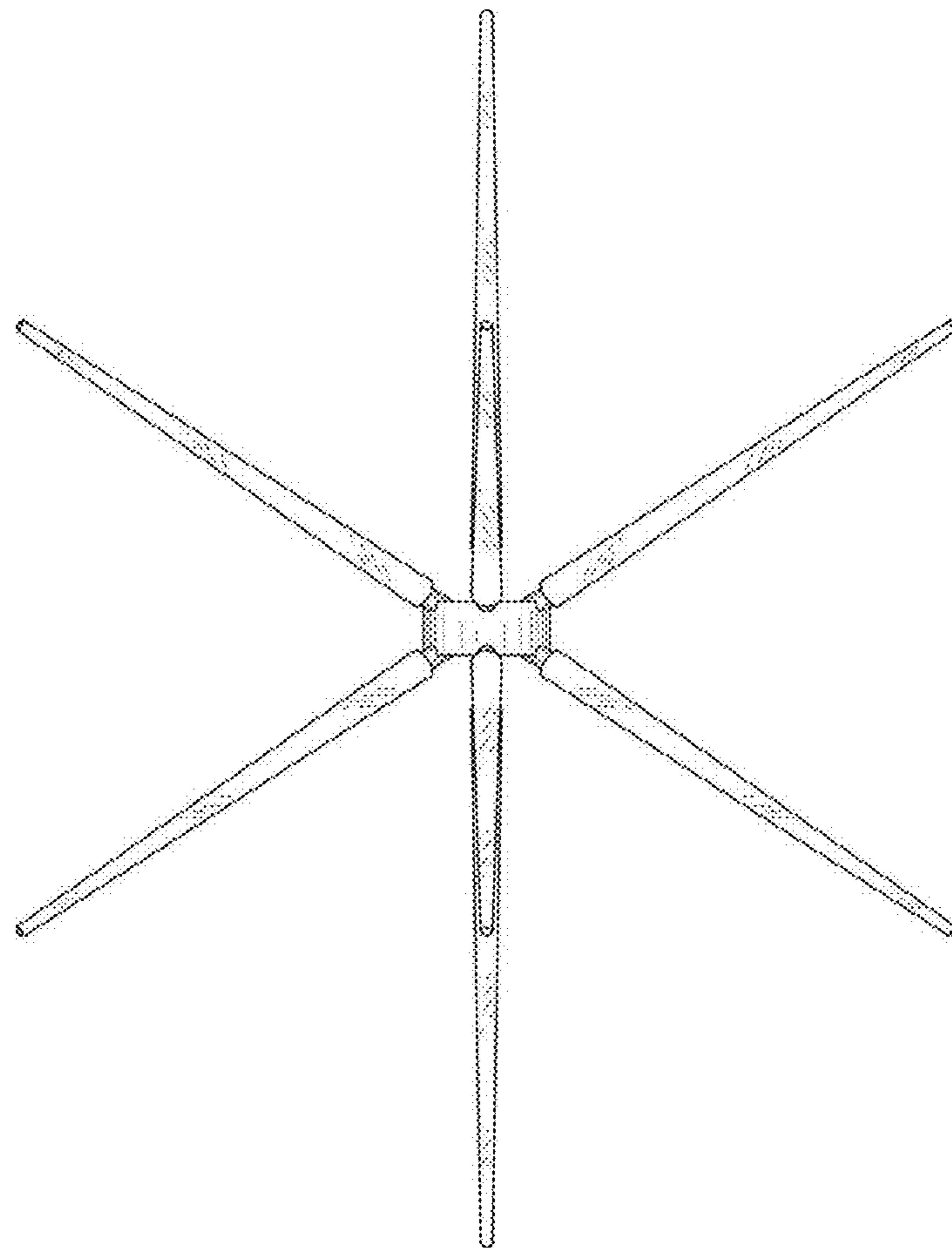


Fig. 7

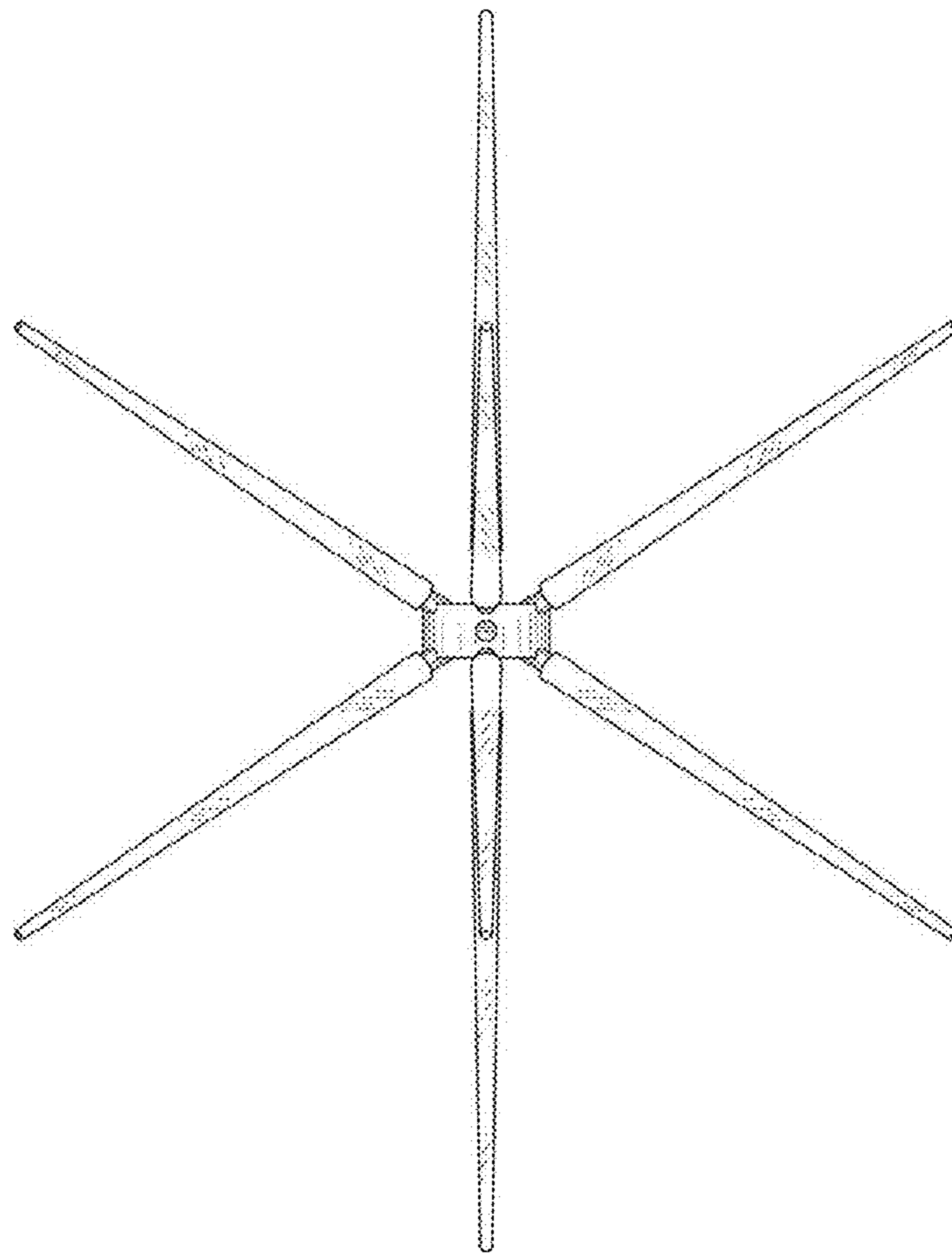


Fig. 8