



US00D861954S

(12) **United States Design Patent**  
**Zhang**

(10) **Patent No.:** **US D861,954 S**  
(45) **Date of Patent:** **\*\* Oct. 1, 2019**

- (54) **SEMICIRCULAR WALL LIGHT**
- (71) Applicant: **Shenzhen City Yuyiyuan Technology Co., Ltd.**, Guangdong (CN)
- (72) Inventor: **Donglin Zhang**, Guangdong (CN)
- (\*\*) Term: **15 Years**
- (21) Appl. No.: **29/647,142**
- (22) Filed: **May 10, 2018**
- (51) **LOC (12) Cl.** ..... **26-03**
- (52) **U.S. Cl.**  
USPC ..... **D26/85**
- (58) **Field of Classification Search**  
USPC ..... D26/71, 87, 92, 26, 85  
CPC .. F21S 8/033; F21S 8/035; F21S 8/036; F21S 8/085; F21S 9/035; F21S 9/037; F21V 21/108; F21W 2121/004; F21W 2131/1005; F21W 2131/103; F21W 2131/107; F21W 2131/109  
See application file for complete search history.

- D427,355 S \* 6/2000 Miranda ..... D26/87
- D451,622 S \* 12/2001 Jones ..... D26/87
- D713,587 S \* 9/2014 Clark ..... F21V 15/01  
D26/85
- D766,489 S \* 9/2016 Moon ..... F23N 1/007  
D26/87

**OTHER PUBLICATIONS**

Outdoor Wall Lights New LED Solar Light Modern Outdoor Lighting Motion Sensor Activated Hexagonal Wall Lamp. From dhgate.com visited Jun. 7, 2019. (Year: 2019).\*

\* cited by examiner

*Primary Examiner* — Clare E Heflin  
(74) *Attorney, Agent, or Firm* — Prakash Nama; Global IP Services, PLLC

(57) **CLAIM**

The ornamental design for a semicircular wall light, as shown.

**DESCRIPTION**

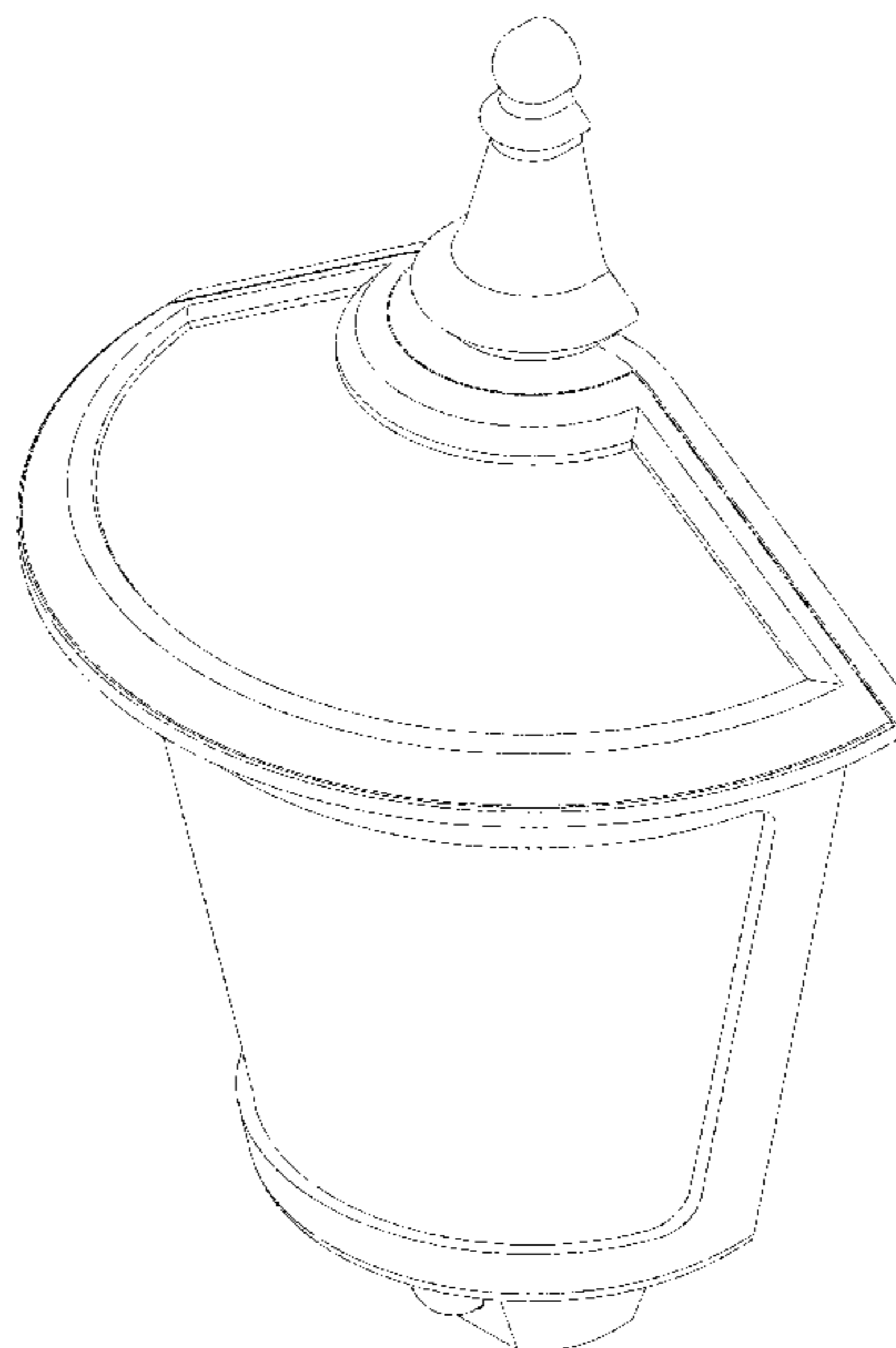
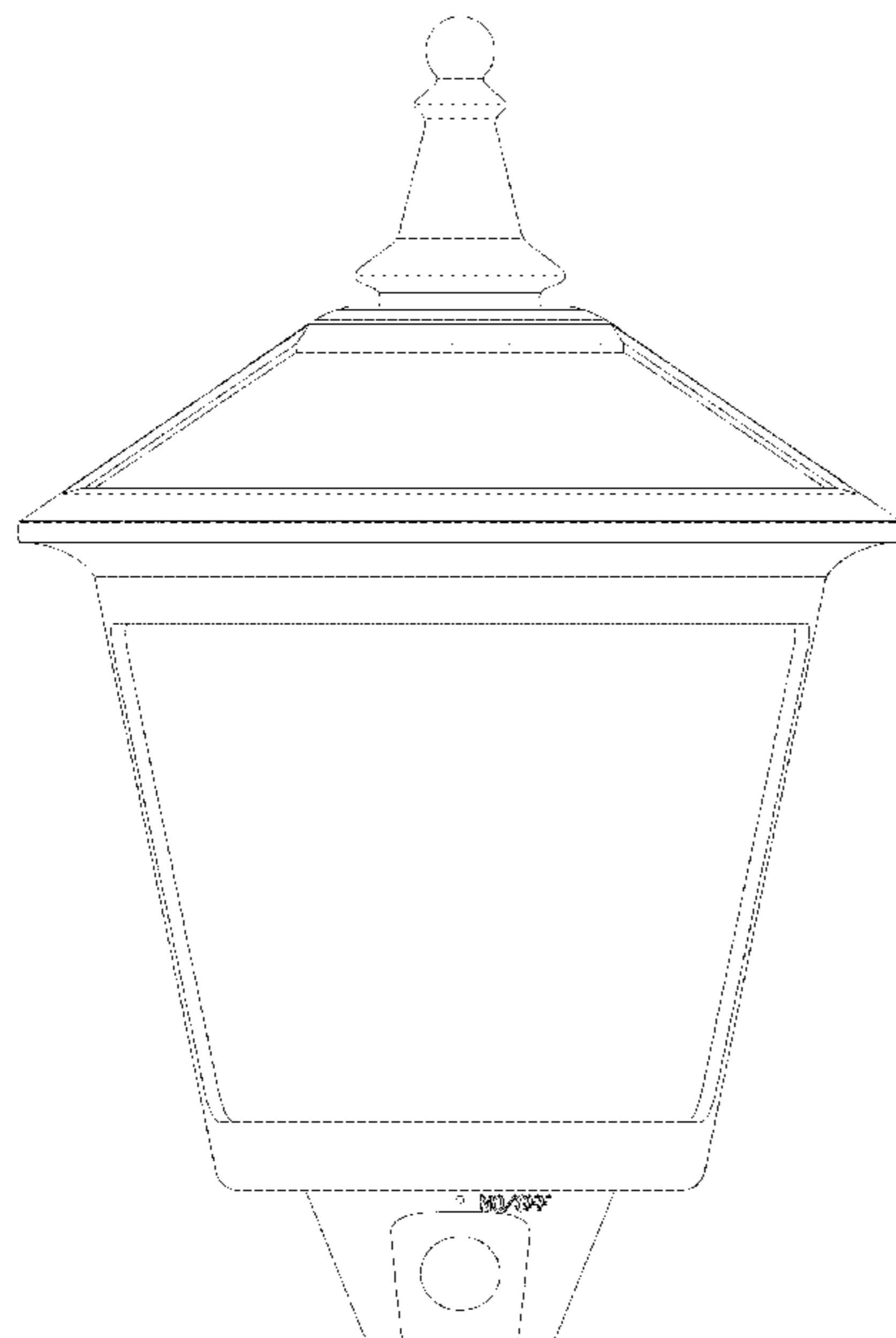
FIG. 1 is a front elevational view of a semicircular wall light showing my new design;  
FIG. 2 is a rear elevational view in enlarge scale thereof;  
FIG. 3 is a left side view in enlarge scale thereof;  
FIG. 4 is a right side view in enlarge scale thereof;  
FIG. 5 is a top plan view in enlarge scale thereof;  
FIG. 6 is a bottom plan view in enlarge scale thereof;  
FIG. 7 is a perspective view thereof;  
FIG. 8 is a second perspective view thereof; and,  
FIG. 9 is a third perspective view thereof.

**1 Claim, 9 Drawing Sheets**

(56) **References Cited**

**U.S. PATENT DOCUMENTS**

- 110,922 A \* 1/1871 Kerns ..... F21V 15/01  
362/296.01
- 615,658 A \* 12/1898 Wilson ..... F23N 1/007  
362/312
- D37,966 S \* 4/1906 Schepmoes ..... D26/85
- D66,190 S \* 12/1924 Jaeger ..... D26/85
- D69,708 S \* 3/1926 Klein ..... D26/85
- D83,236 S \* 2/1931 McFadden ..... D26/85
- D83,237 S \* 2/1931 McFadden ..... D26/85
- D101,041 S \* 9/1936 Janssen ..... D26/145
- D206,083 S \* 10/1966 Rosen ..... D26/87
- D316,912 S \* 5/1991 Choi ..... D26/87
- D378,436 S \* 3/1997 'Tognu' ..... D26/85



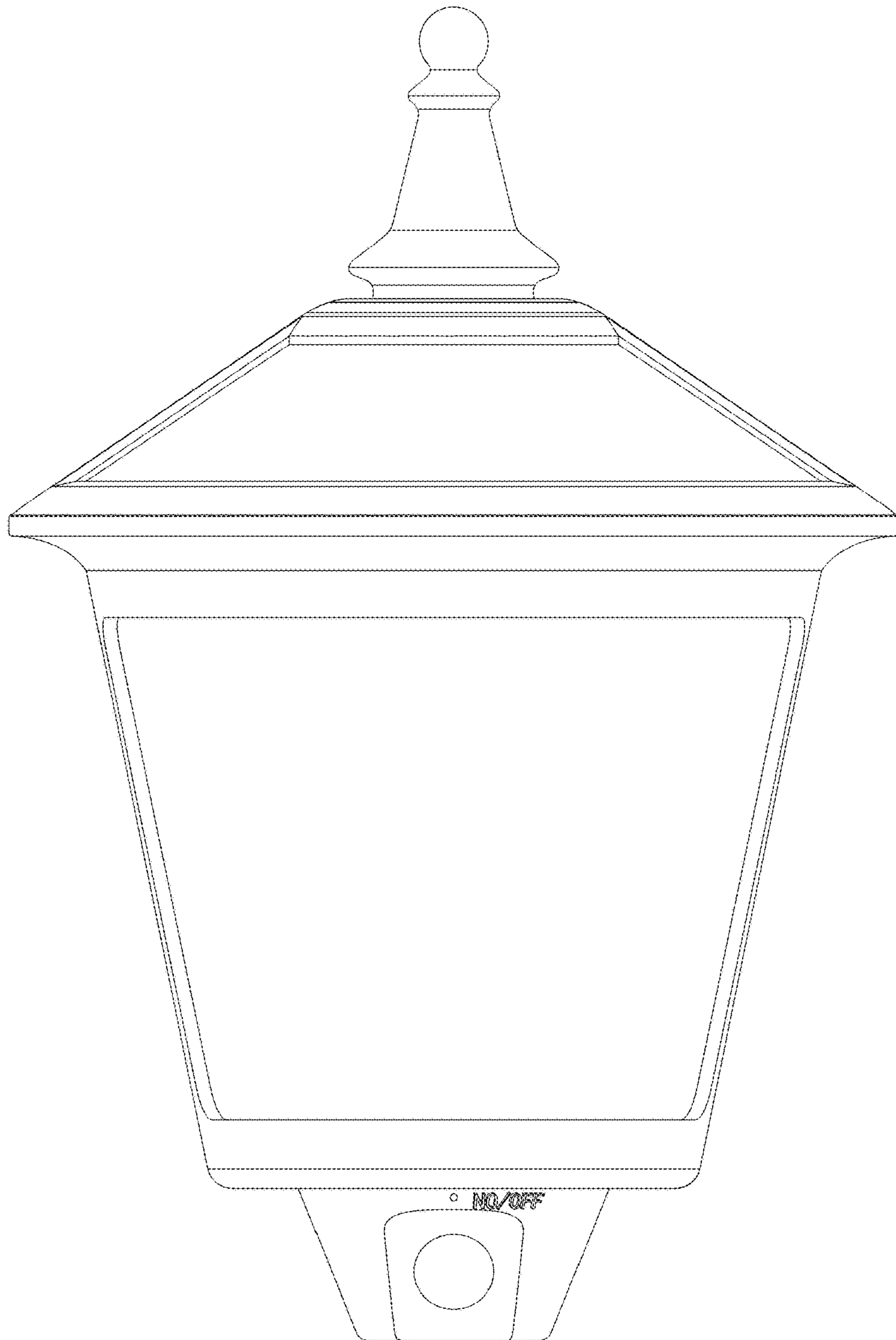


Fig. 1

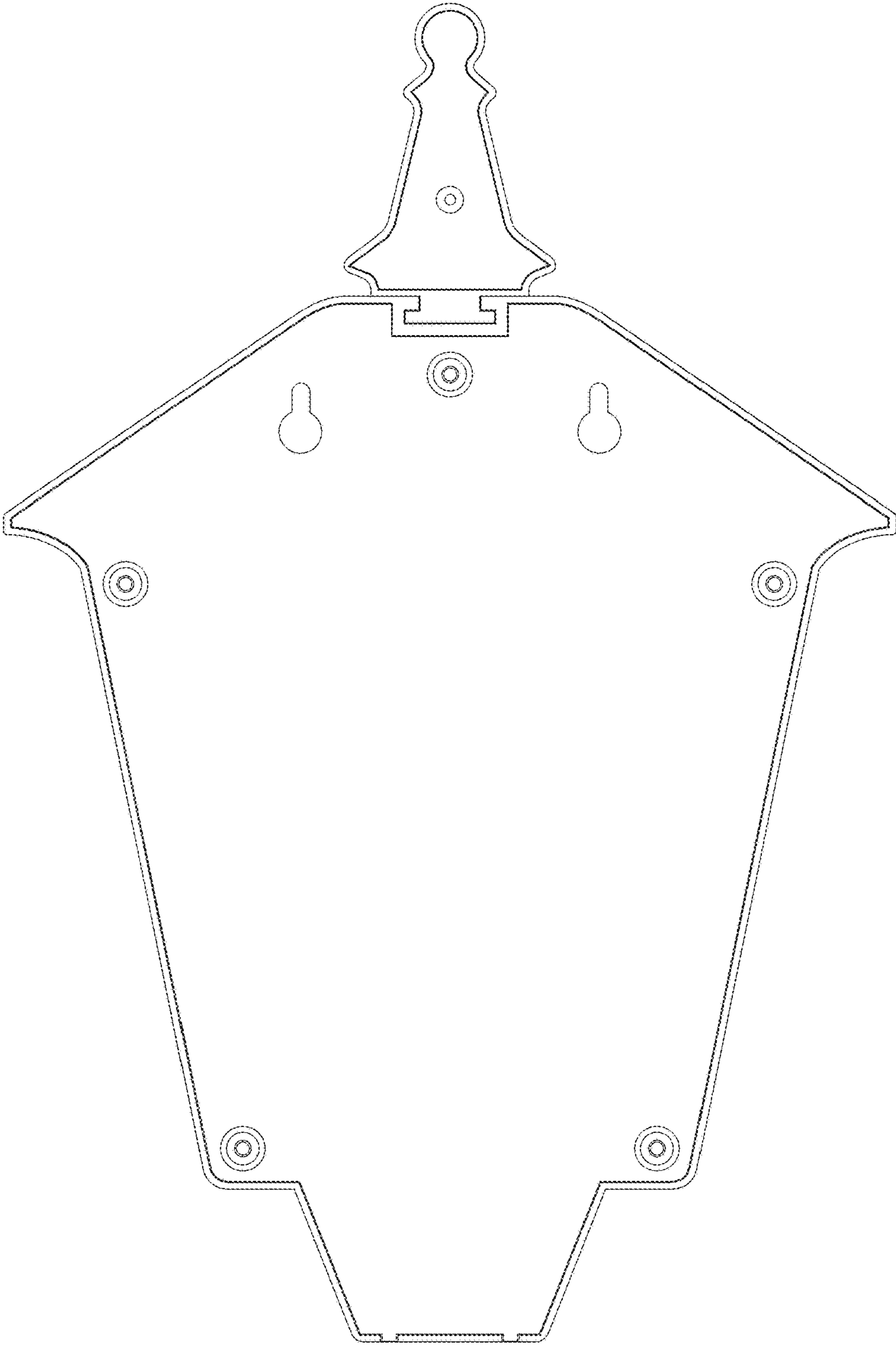


Fig. 2

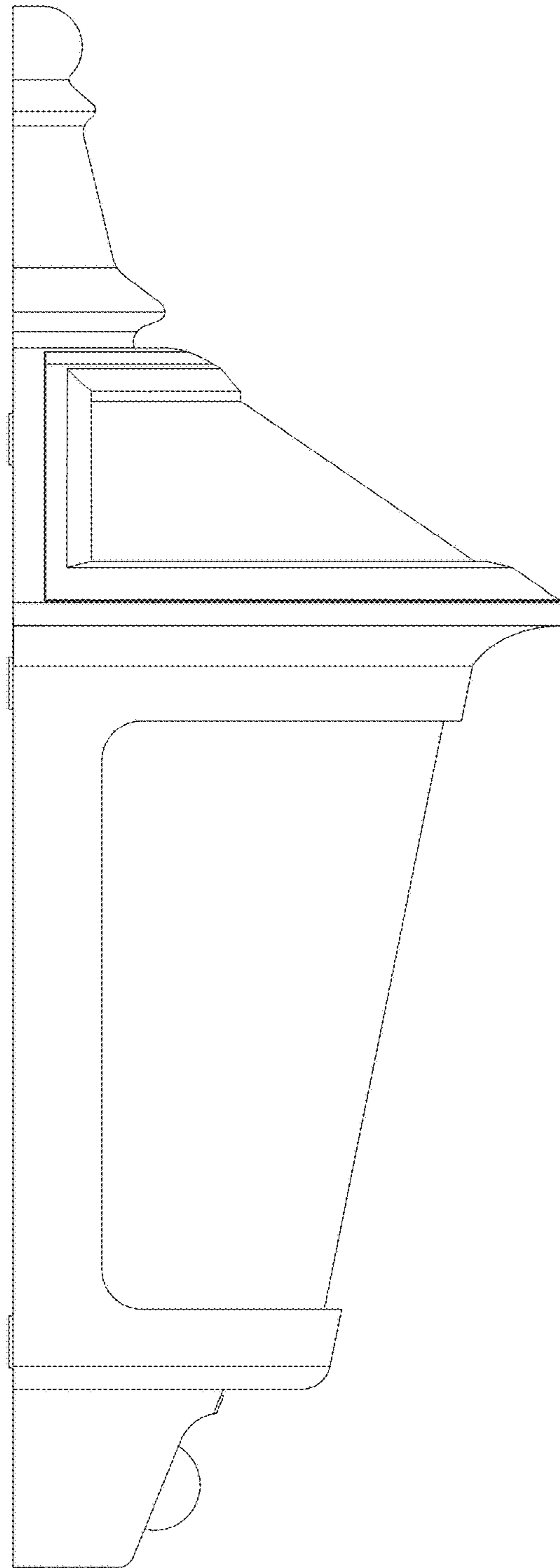


Fig. 3

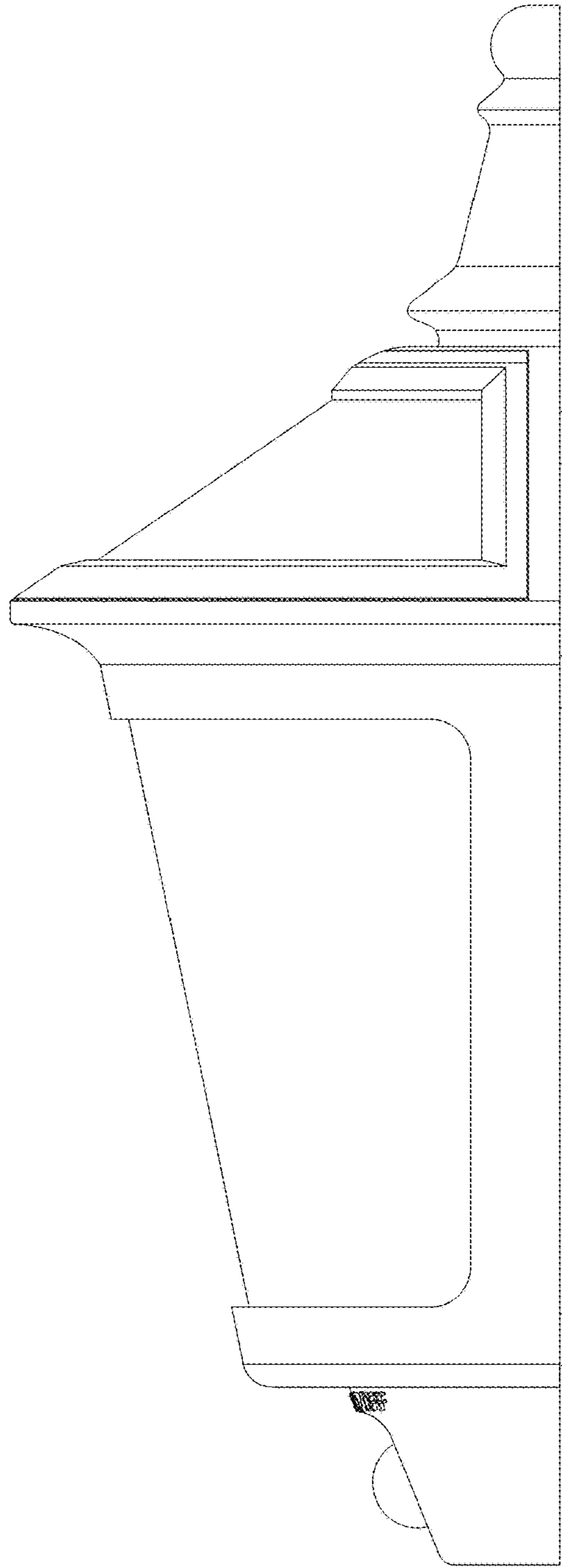


Fig. 4

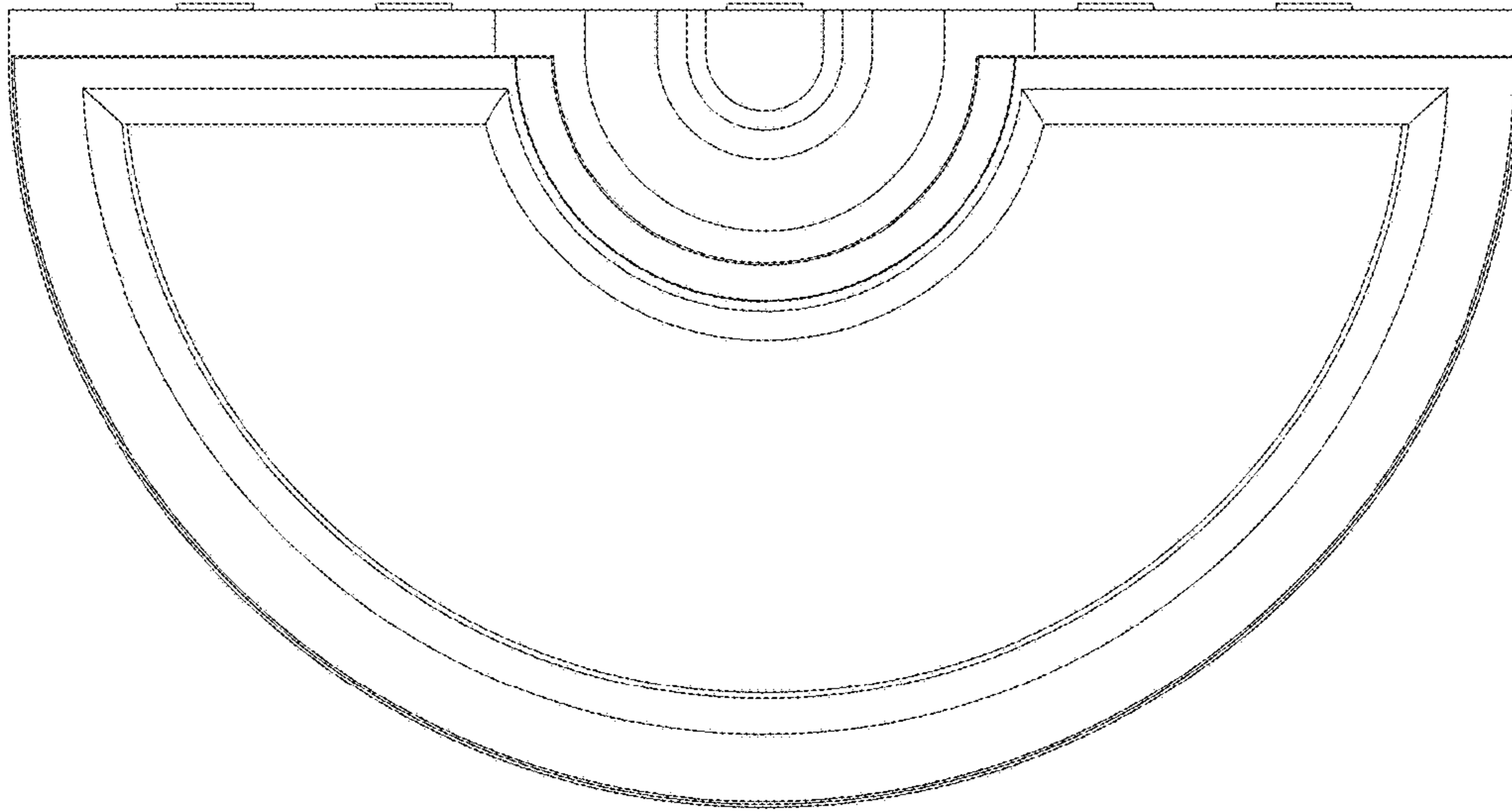


Fig. 5

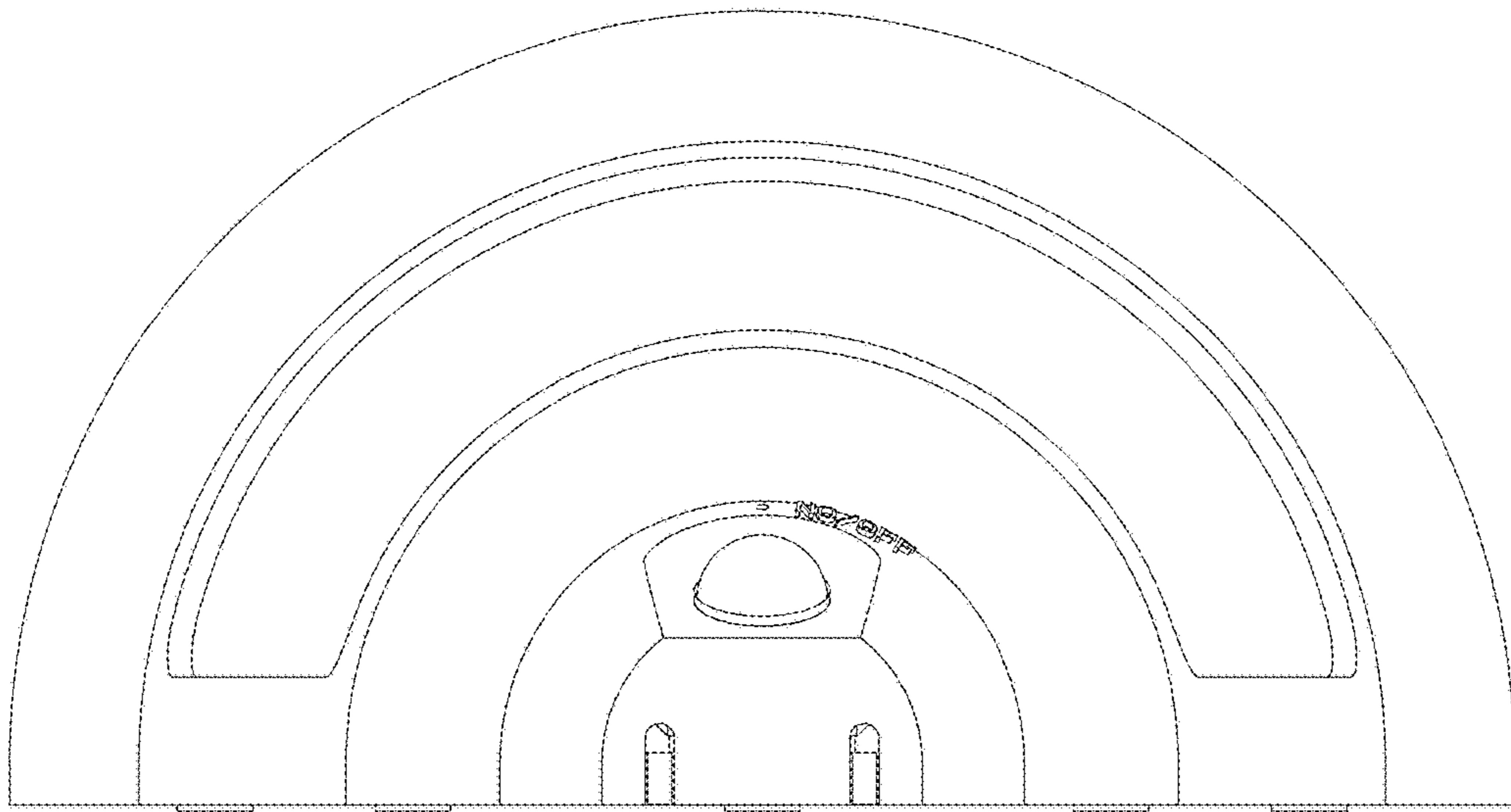


Fig. 6

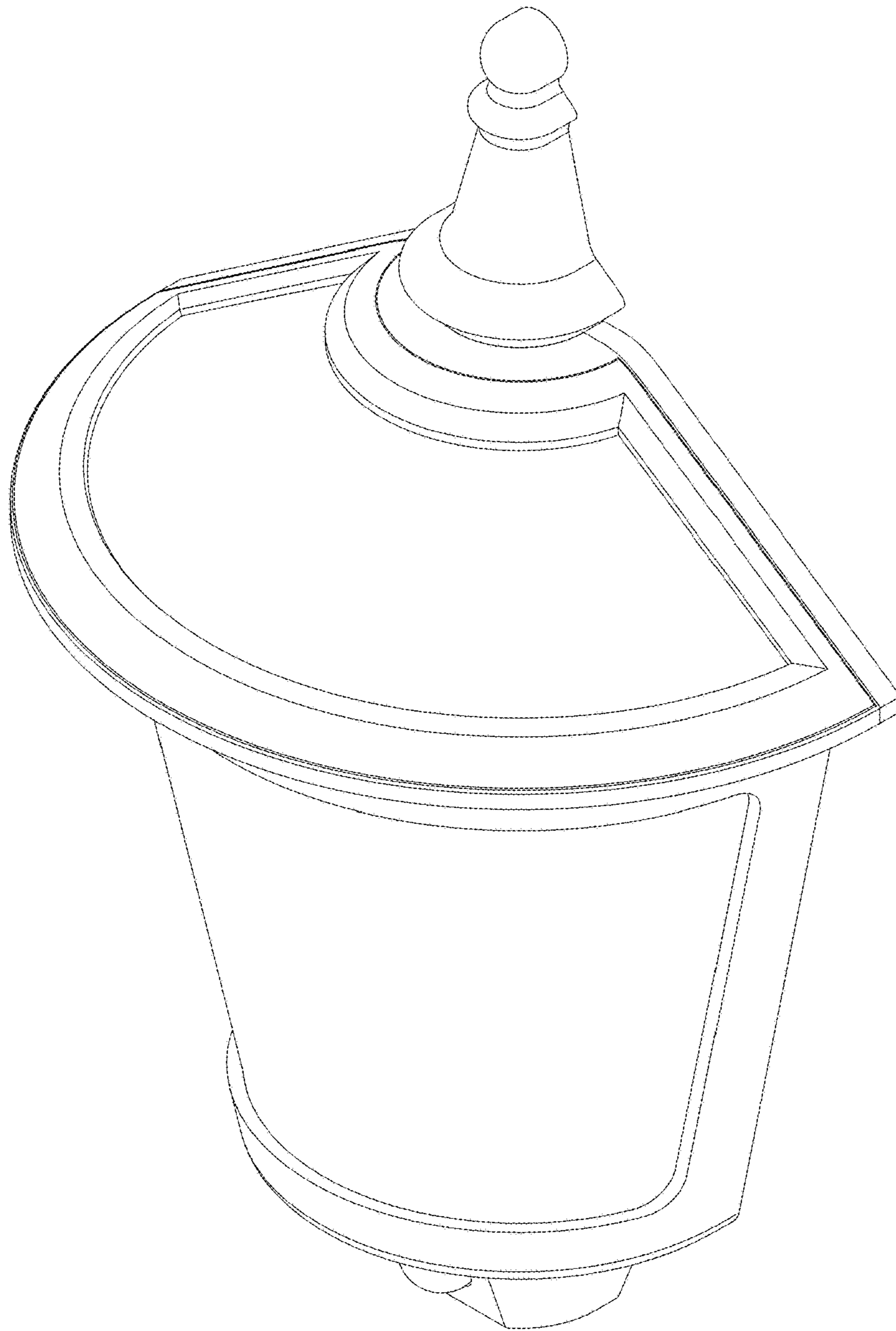


Fig. 7



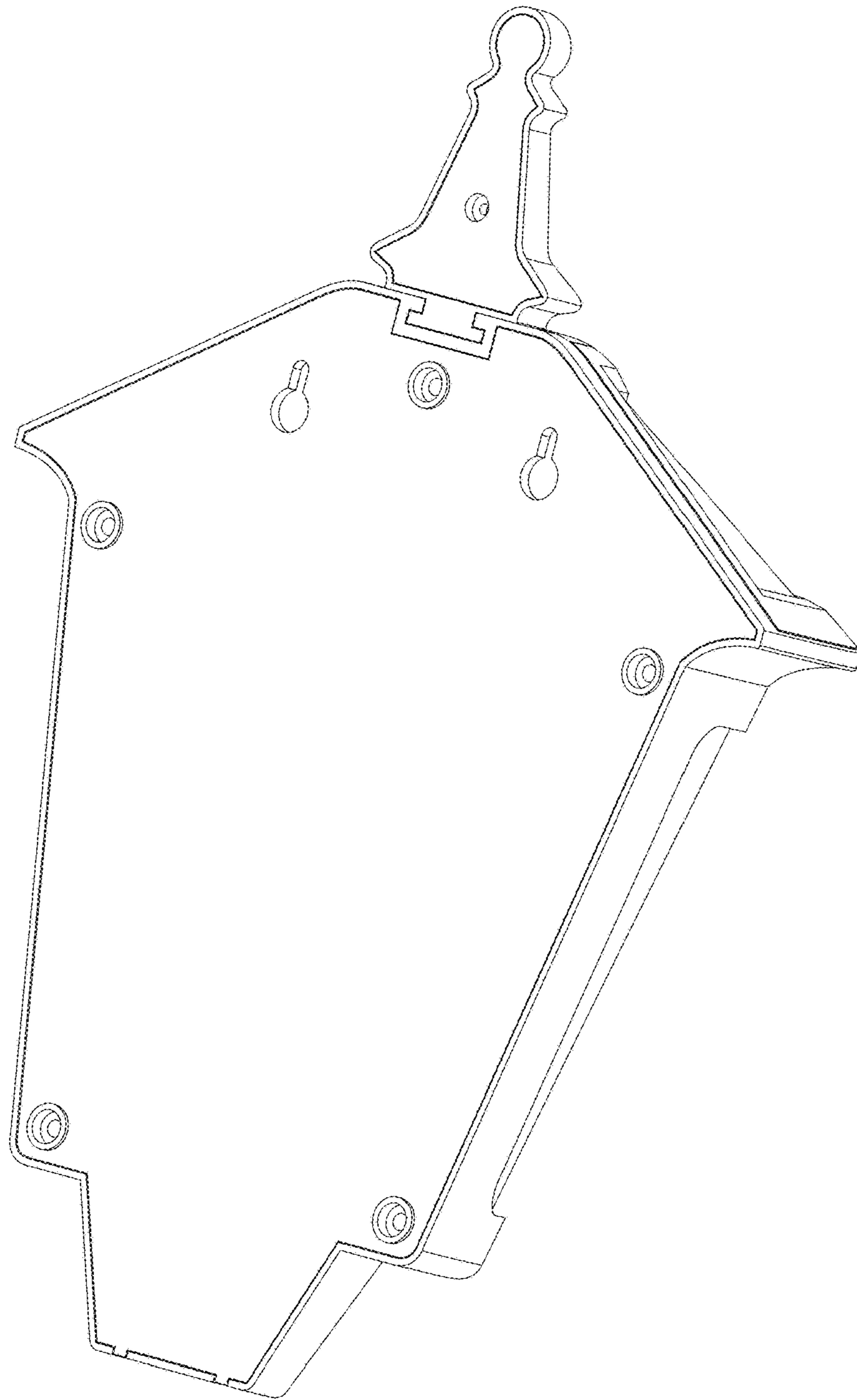


Fig. 8

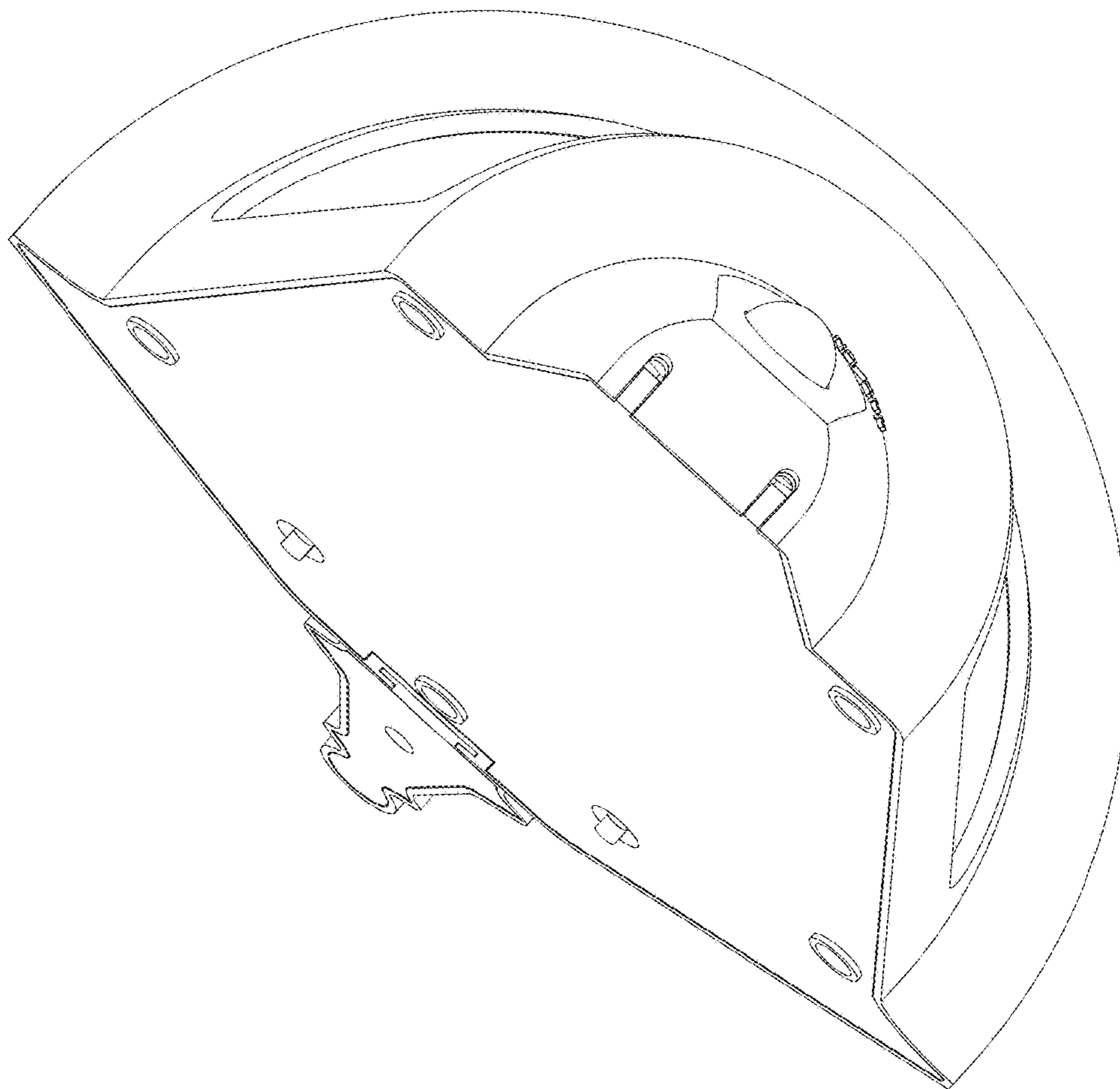


Fig. 9