



US00D861953S

(12) **United States Design Patent**
Deng

(10) **Patent No.:** **US D861,953 S**

(45) **Date of Patent:** **** Oct. 1, 2019**

(54) **WALL LAMP**

(71) Applicant: **Dongguan Pan American Electronics Co., Ltd**, DongGuan, GuangDong (CN)

(72) Inventor: **Jinsheng Deng**, DongGuan (CN)

(73) Assignee: **Dongguan Pan American Electronics Co., Ltd**, DongGuan (CN)

(**) Term: **15 Years**

(21) Appl. No.: **29/606,857**

(22) Filed: **Jun. 8, 2017**

(30) **Foreign Application Priority Data**

Mar. 31, 2017 (CN) 2017 3 0104361

(51) **LOC (12) Cl.** **26-05**

(52) **U.S. Cl.**
USPC **D26/85**

(58) **Field of Classification Search**
USPC D26/10, 37, 38, 40, 51, 60, 67, 68, 72,
D26/76, 78, 82, 85, 86, 104, 106, 145
CPC F21S 8/00; F21S 8/02; F21S 8/04; F21S
8/003; F21S 8/006; F21S 6/00; F21S
9/022; F21S 9/037

See application file for complete search history.

(56) **References Cited**

U.S. PATENT DOCUMENTS

D190,385 S *	5/1961	Schreckengost	D26/85
D202,803 S *	11/1965	Wince	D26/67
D203,060 S *	11/1965	Schaefer	D26/76
D336,964 S *	6/1993	Janssen	D26/28
D380,853 S *	7/1997	Johnson	D26/128
D493,009 S *	7/2004	Ken	D26/51
D494,701 S *	8/2004	Campbell	D26/85
D563,587 S *	3/2008	Quiogue	D26/85
D583,977 S *	12/2008	Guercio	D26/85
D604,004 S *	11/2009	Guercio	D26/85

D610,296 S *	2/2010	Boissevain	D26/85
D612,975 S *	3/2010	Guercio	D26/85
D667,586 S *	9/2012	Wilcox	F21V 19/0055 D26/85
D716,990 S *	11/2014	Yu	D26/72
D774,681 S *	12/2016	Liang	D26/72
D834,736 S *	11/2018	Liu	26/85
D837,437 S *	1/2019	Liu	D26/85
D842,526 S *	3/2019	Zhuo	D26/85

(Continued)

OTHER PUBLICATIONS

D464-L Juggernaut (available online) Retrieved from the internet Mar. 12, 2019 from URL: <https://www.getdeco.com/product/juggernaut/>.*

(Continued)

Primary Examiner — Kevin K Rudzinski

Assistant Examiner — Richard Kearney

(74) *Attorney, Agent, or Firm* — Ladas & Parry LLP

(57) **CLAIM**

The ornamental design for a wall lamp, as shown and described.

DESCRIPTION

FIG. 1 is a front elevational view of a wall lamp showing my new design;

FIG. 2 is a rear elevational view thereof;

FIG. 3 is a left-side elevational view thereof;

FIG. 4 is a right-side elevational view thereof;

FIG. 5 is a top plan view thereof;

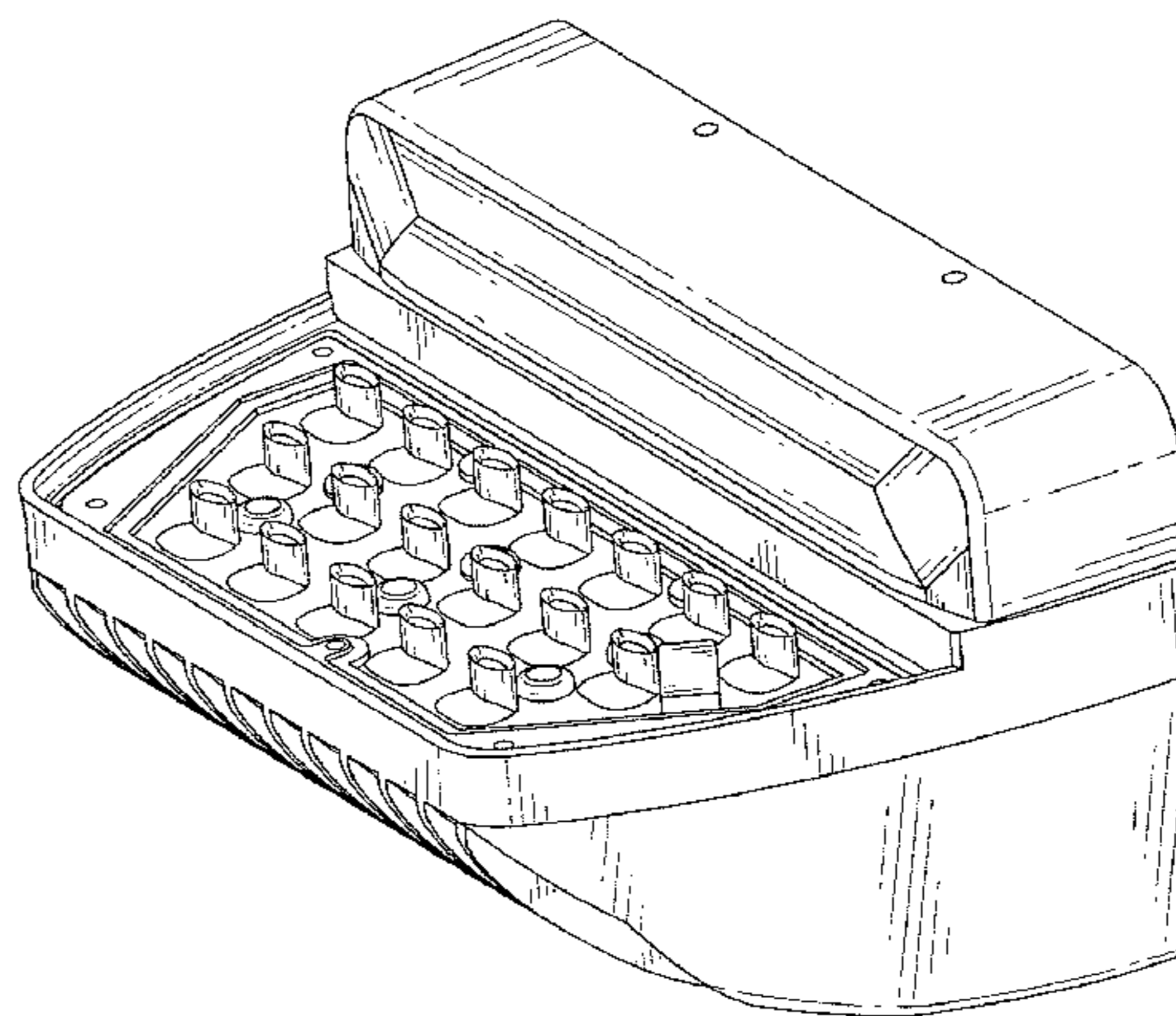
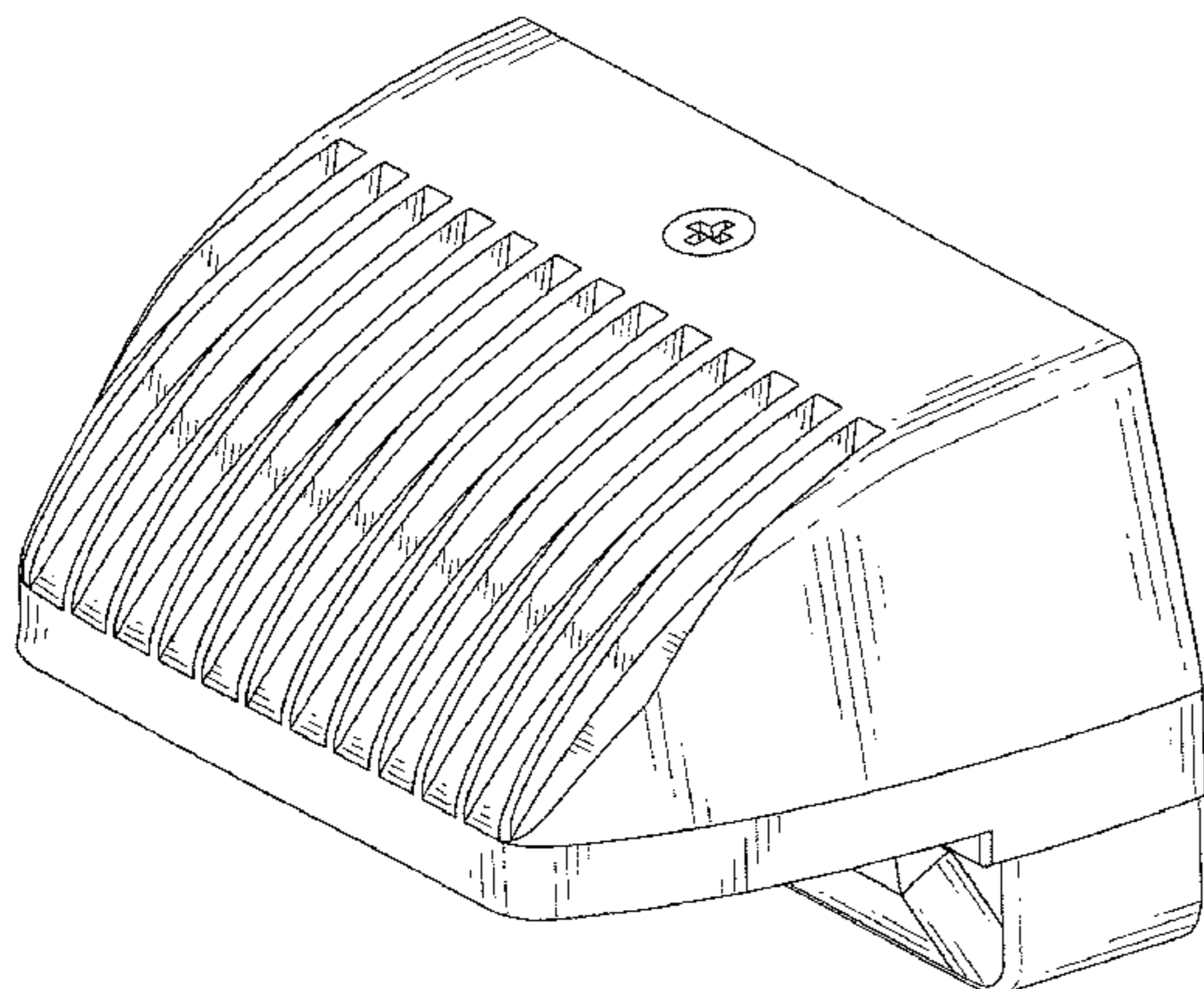
FIG. 6 is a bottom plan view thereof;

FIG. 7 is a front, top, right perspective view thereof; and,

FIG. 8 is a front, bottom, left perspective view thereof.

The broken lines in FIG. 2 show features of the design are for the purpose of illustration only and form no part of the claimed design.

1 Claim, 8 Drawing Sheets



(56)

References Cited

U.S. PATENT DOCUMENTS

2008/0043467 A1* 2/2008 Wilcox F21S 8/033
362/247
2015/0292723 A1* 10/2015 Yu F21V 29/76
362/147
2015/0308667 A1* 10/2015 Corkill F21S 8/033
362/147

OTHER PUBLICATIONS

LED Wall Pack (available online) Retrieved from the internet Mar. 12, 2019 from URL: https://cdn11.bigcommerce.com/s-uoeo150axe/images/stencil/1280x1280/products/1491/13642/Dimensions_Wall_Pack_Rotatable_40W_77222_63304.1527638333.jpg?c=2&imbypass=on.*

Hampton Bay Low-Voltage Black Outdoor Integrated LED Surface Mount Light (available online) Retrieved from the internet Mar. 12, 2019 from URL: <https://www.homedepot.com/p/Hampton-Bay-Low-Voltage-Black-Outdoor-Integrated-LED-Surface-Mount-Light-IYR2601L-2/206265484>.*

* cited by examiner

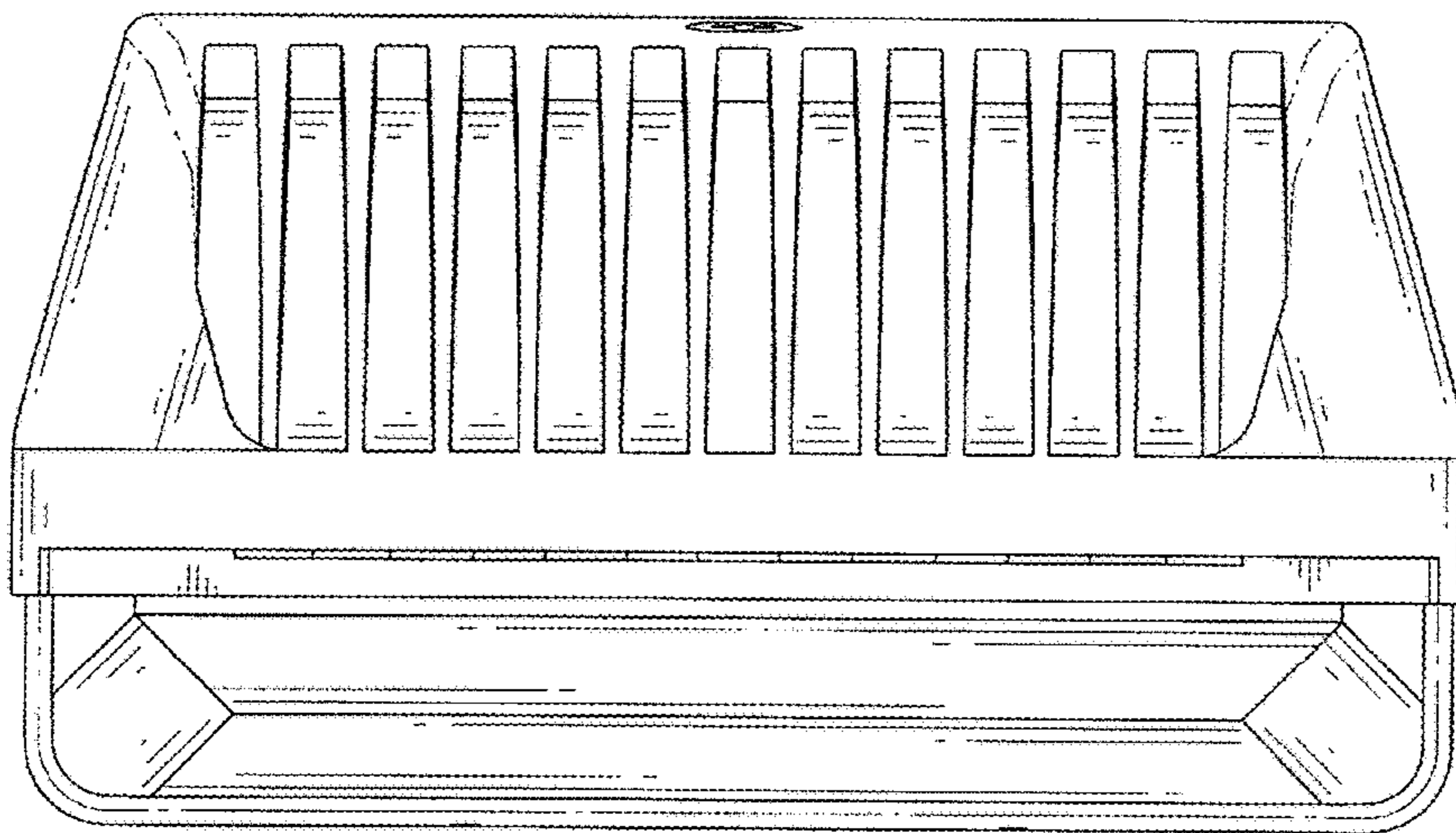


FIG. 1

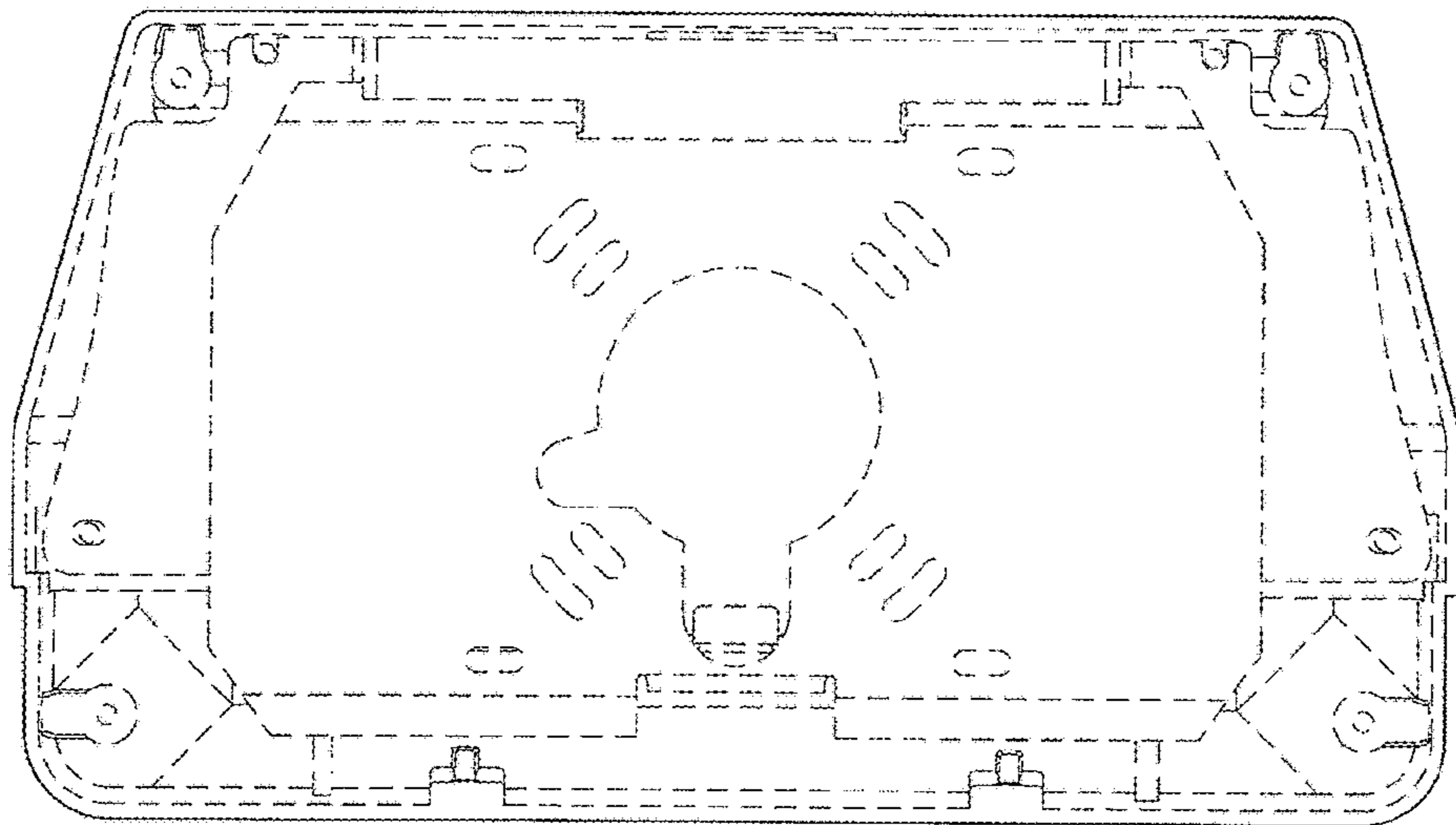


FIG. 2

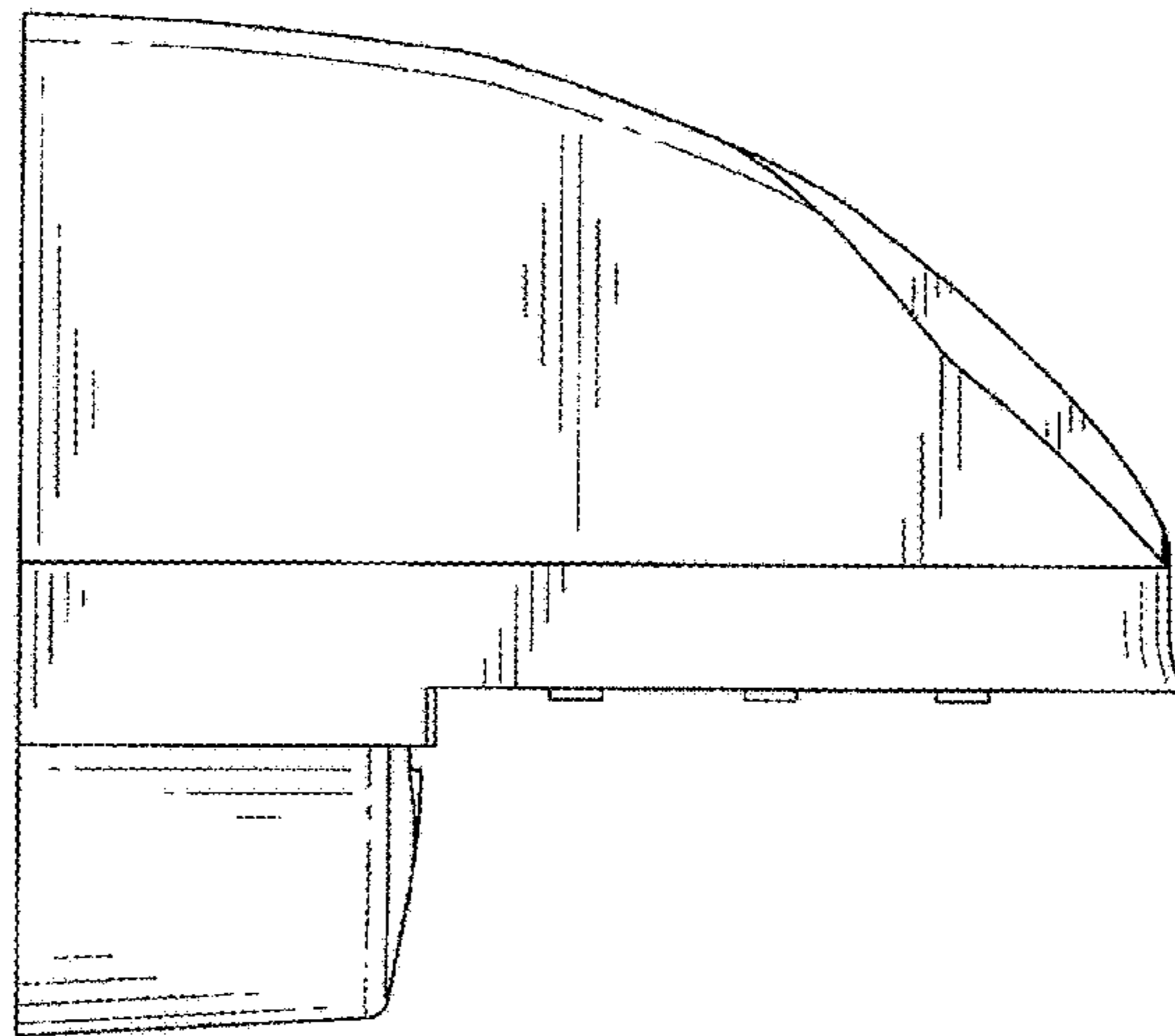


FIG. 3

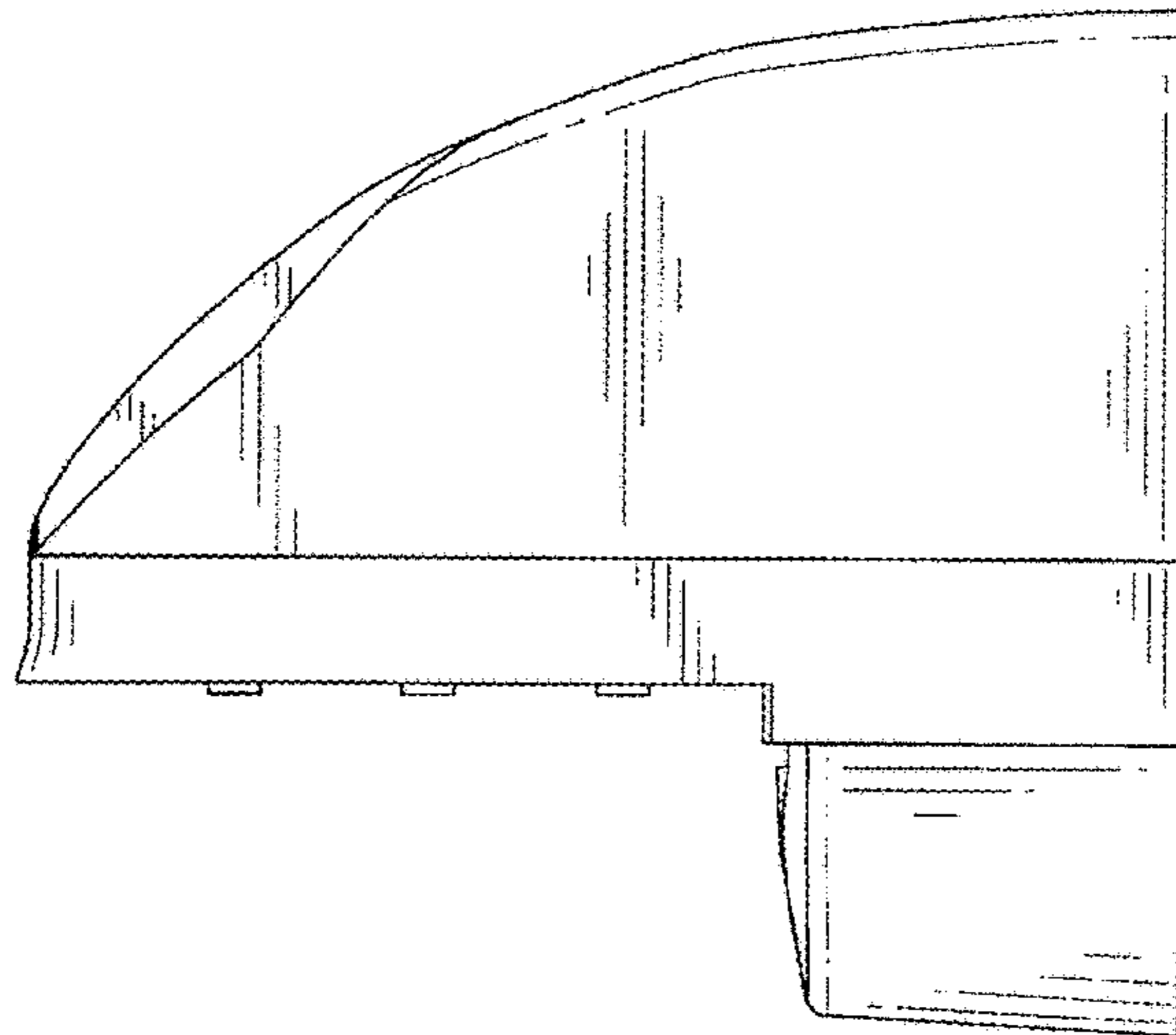


FIG. 4

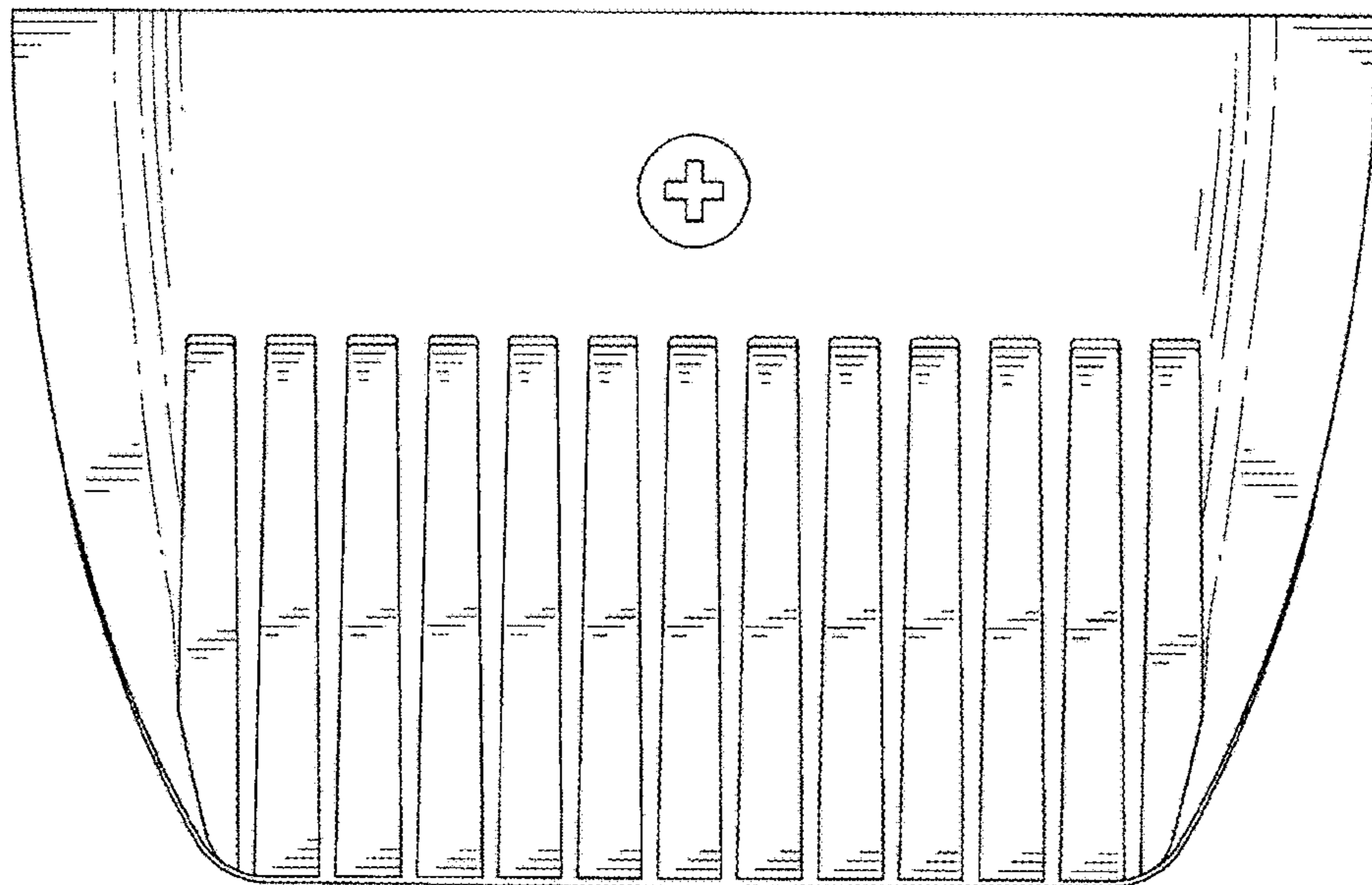


FIG. 5

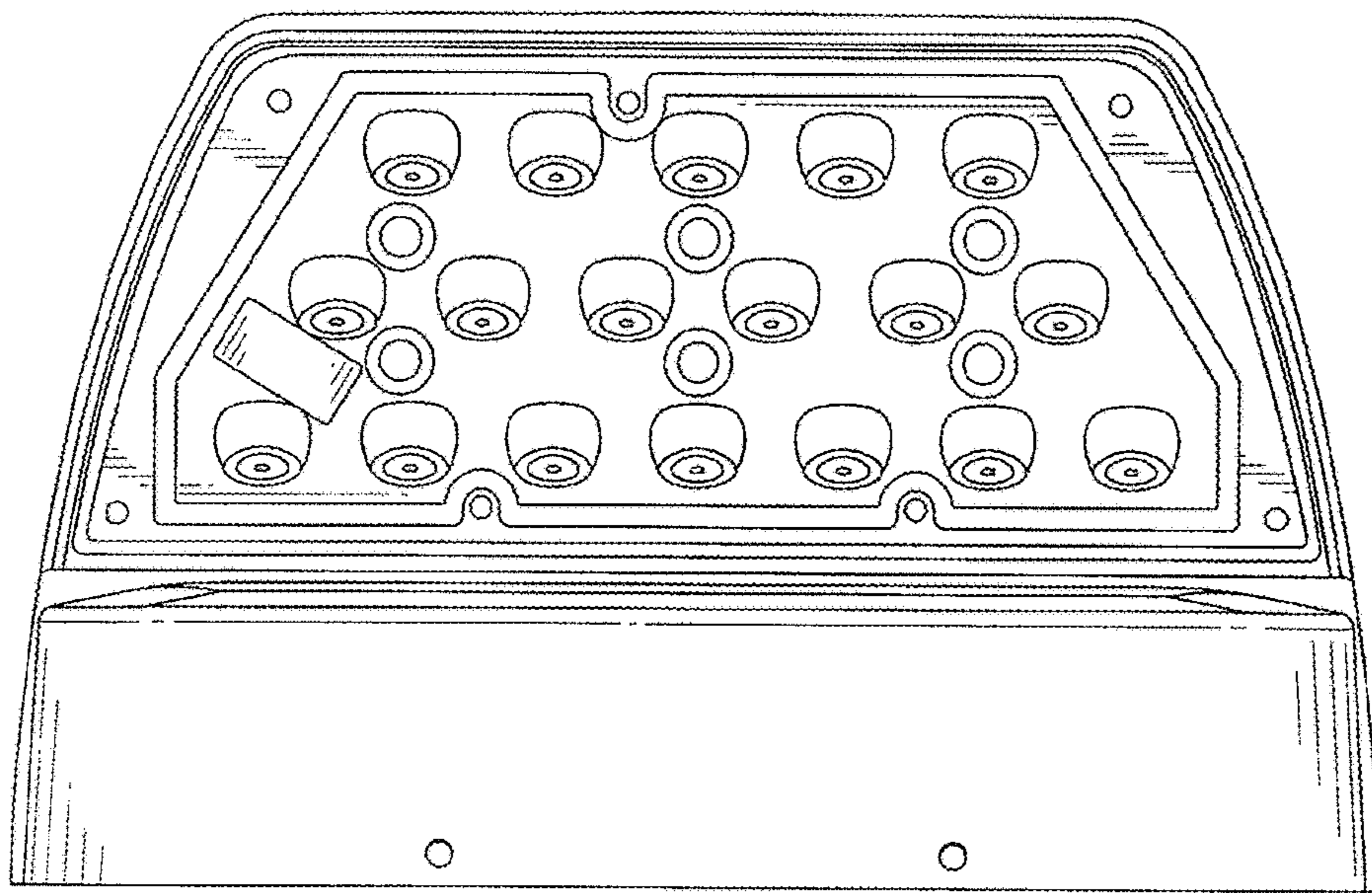


FIG. 6

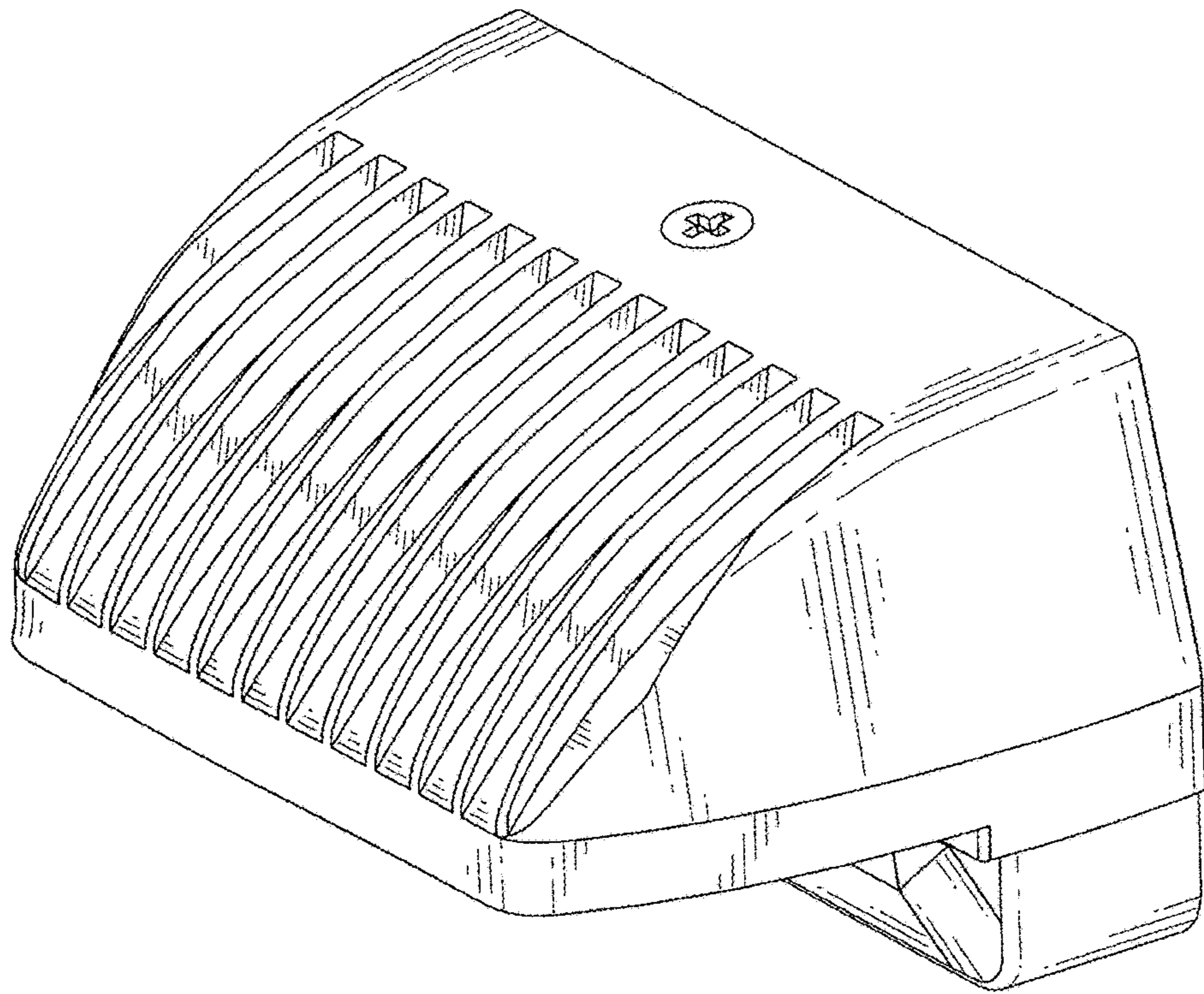


FIG. 7

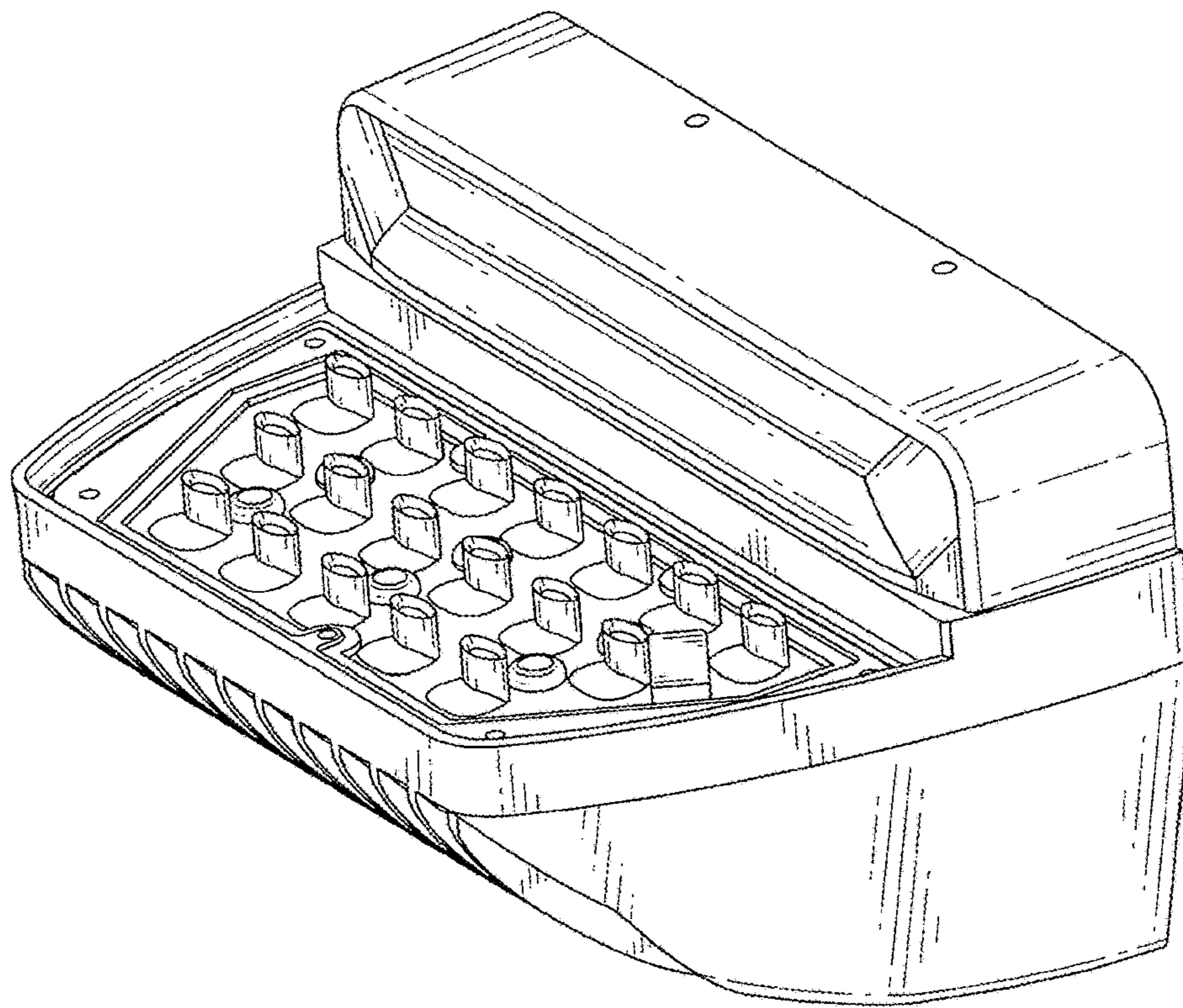


FIG. 8