



US00D861951S

(12) **United States Design Patent**
Zitoli

(10) **Patent No.:** **US D861,951 S**

(45) **Date of Patent:** **** Oct. 1, 2019**

(54) **LIGHT FIXTURE**

(71) Applicant: **EUROFASE INC.**, Richmond Hill (CA)

(72) Inventor: **Antonio Zitoli**, Richmond Hill (CA)

(73) Assignee: **EUROFASE INC.**, Richmond Hill (CA)

(**) Term: **15 Years**

(21) Appl. No.: **29/625,459**

(22) Filed: **Nov. 9, 2017**

(51) **LOC (12) Cl.** **26-03**

(52) **U.S. Cl.**
USPC **D26/81; D26/82**

(58) **Field of Classification Search**
USPC D26/80, 81, 82, 83, 84, 85, 86, 88, 90,
D26/91

CPC F21S 8/03; F21S 8/04; F21S 8/043; F21S
8/046; F21S 8/06; F21S 8/061; F21S
8/063; F21S 8/065; F21S 8/068

See application file for complete search history.

(56) **References Cited**

U.S. PATENT DOCUMENTS

D39,286 S *	4/1908	Thomas	D26/84
D228,146 S *	8/1973	Schwartz	D26/82
D252,531 S *	7/1979	Glassman	D26/80
D252,594 S *	8/1979	Glassman	D26/80
D267,900 S *	2/1983	Ishii	D26/83
D386,279 S *	11/1997	Edwards	D26/80
D444,255 S *	6/2001	Bucher	D26/80
D597,702 S *	8/2009	Sabernig	D26/84
D621,087 S *	8/2010	Nagane	D26/86
D760,420 S *	6/2016	Tomlinson	D26/81
D794,862 S *	8/2017	Baylar	D26/84
D820,499 S *	6/2018	Zhou	D26/81
D837,435 S *	1/2019	Richardson	D26/82

OTHER PUBLICATIONS

Eurofase Lighting Zarina 42.25" 27W 15 LED Chandelier Model No. 34059-012. From lightingdesignexperts.com visited May 8, 2019. (Year: 2019).*

The Bentley by Eurofase. Available as early as Jan. 23, 2017 at eurofase.com. (Year: 2017).*

Elk Lighting Island Light Oil Rubbed Bronze Finish Model No. 1141-075. Date first available at amazon.com—Dec. 13, 2017. (Year: 2017).*

Modern Style 3/5 Light Brass Linear Chandelier with Clear Glass Shade for Kitchen Island. At lobsterplus.com as early as Jan. 6, 2019. (Year: 2019).*

* cited by examiner

Primary Examiner — Clare E Heflin

(74) *Attorney, Agent, or Firm* — Renner, Otto, Boisselle and Sklar, LLP

(57) **CLAIM**

The ornamental design for a light fixture, as shown and described.

DESCRIPTION

FIG. 1 is a top, left, front perspective view of a light fixture showing my new design;

FIG. 2 is a front elevation view thereof;

FIG. 3 is a rear elevation view thereof;

FIG. 4 is a left side elevation view thereof;

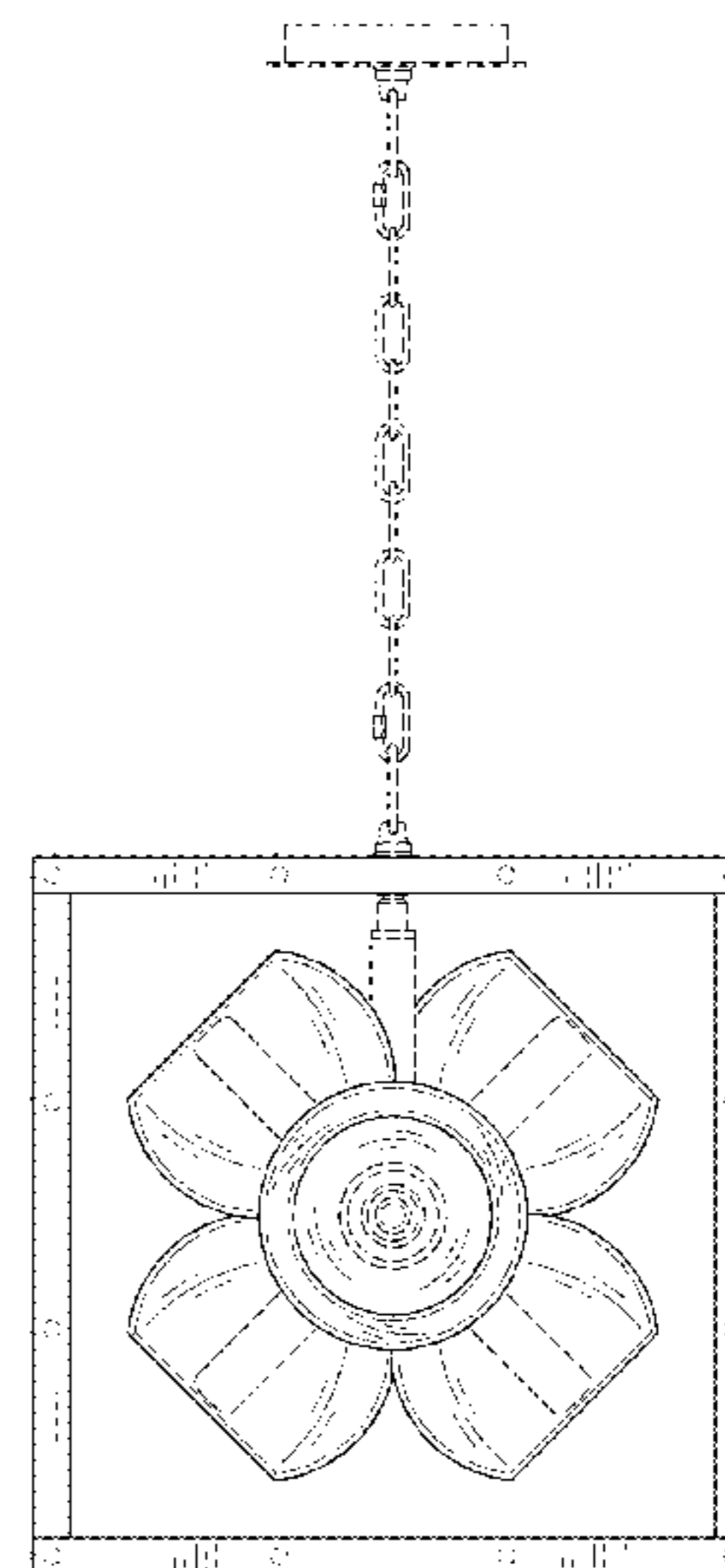
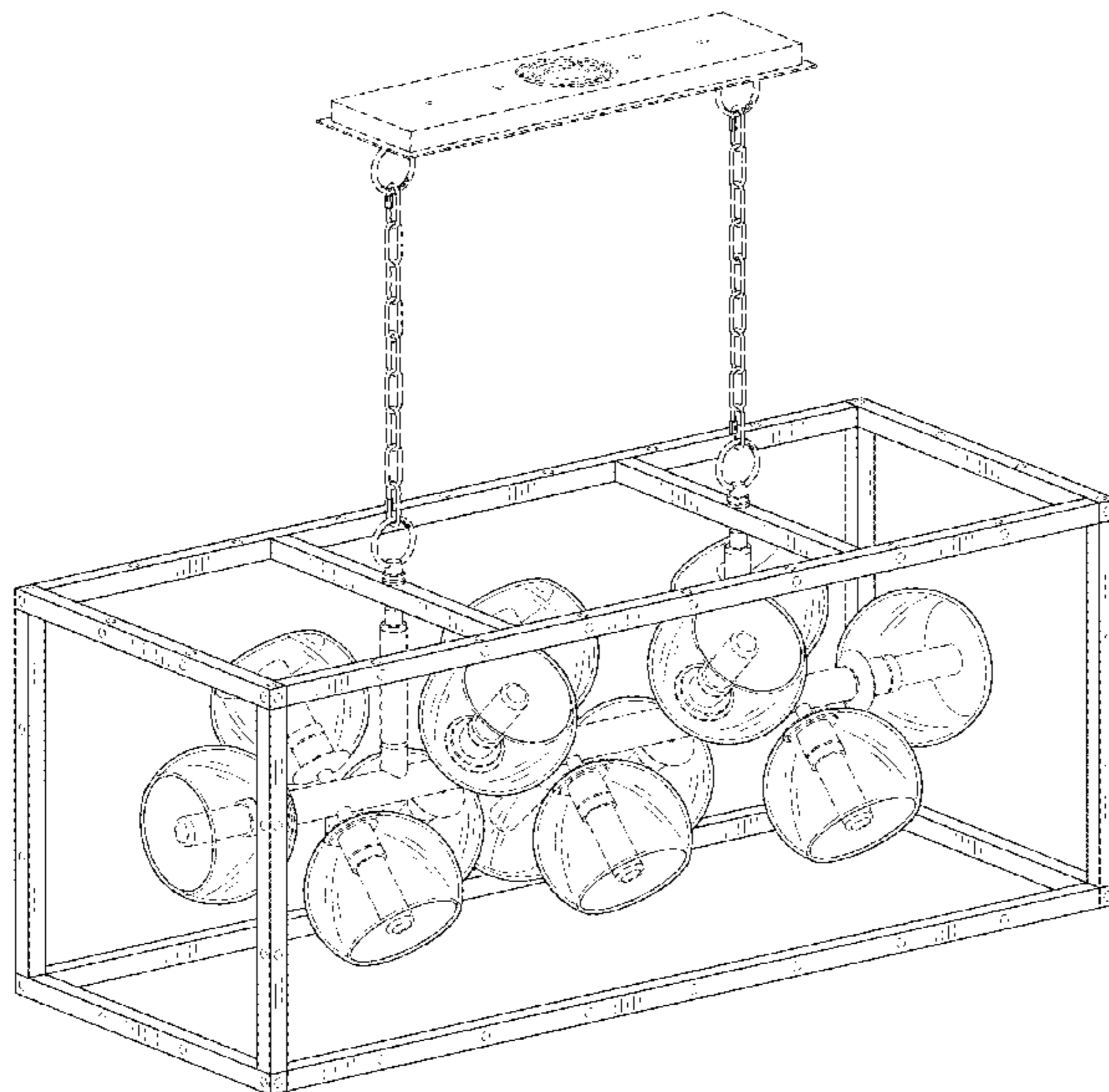
FIG. 5 is a right side elevation view thereof;

FIG. 6 is a top plan view thereof; and,

FIG. 7 is a bottom plan view thereof.

The broken line showing is for the purpose of illustrating portions of the light fixture and forms no part of the claimed design.

1 Claim, 5 Drawing Sheets



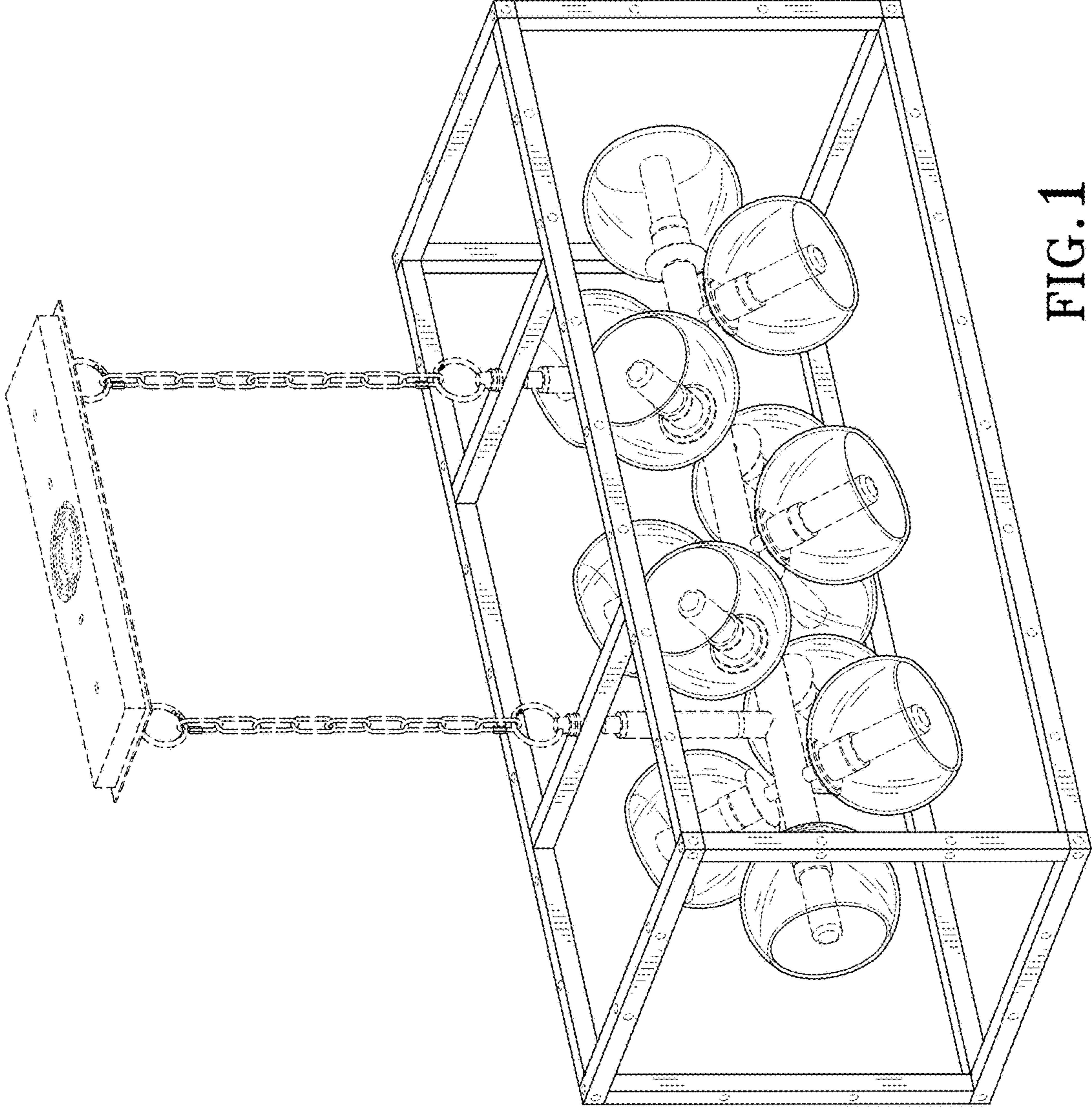


FIG. 1

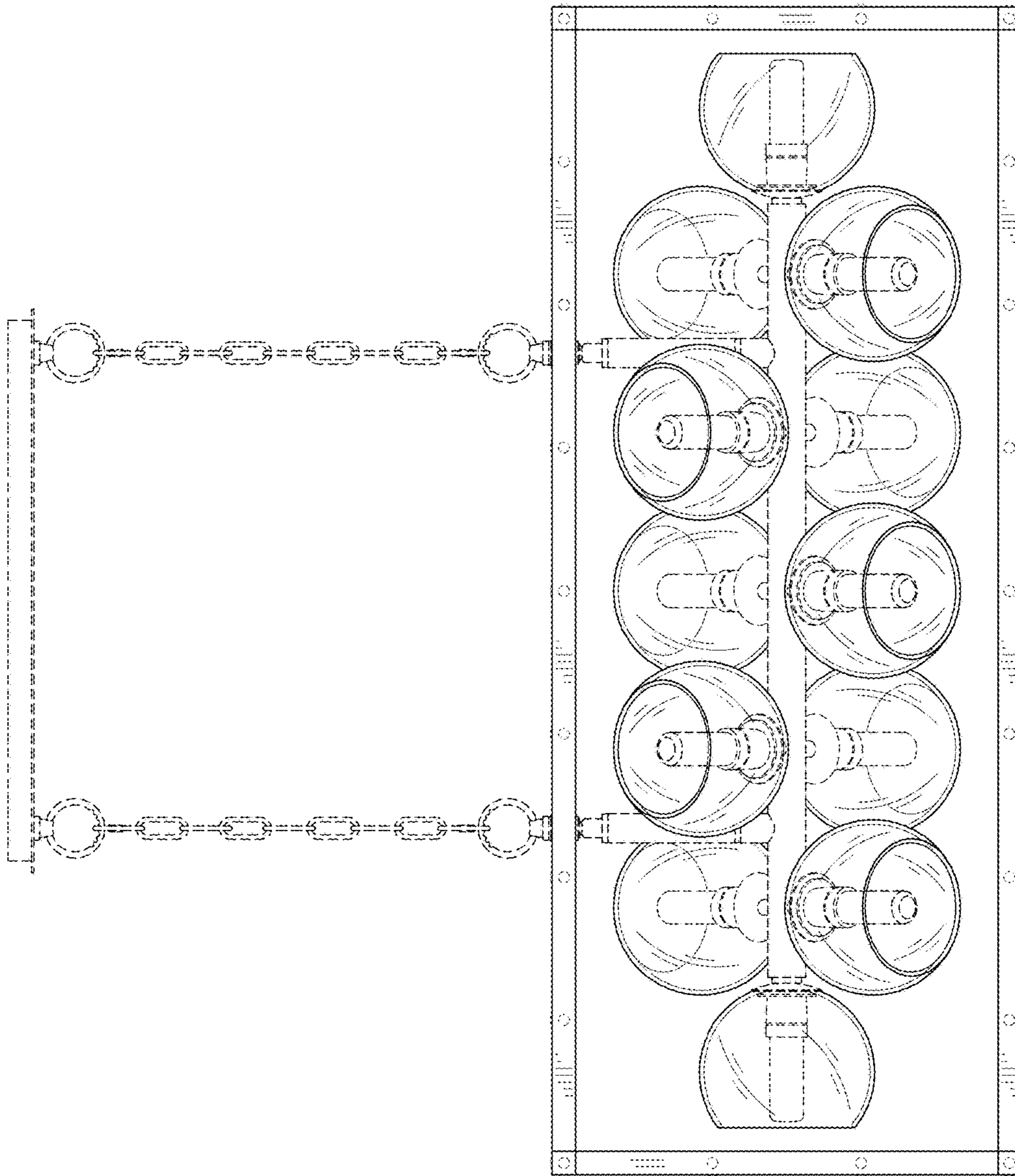


FIG. 2

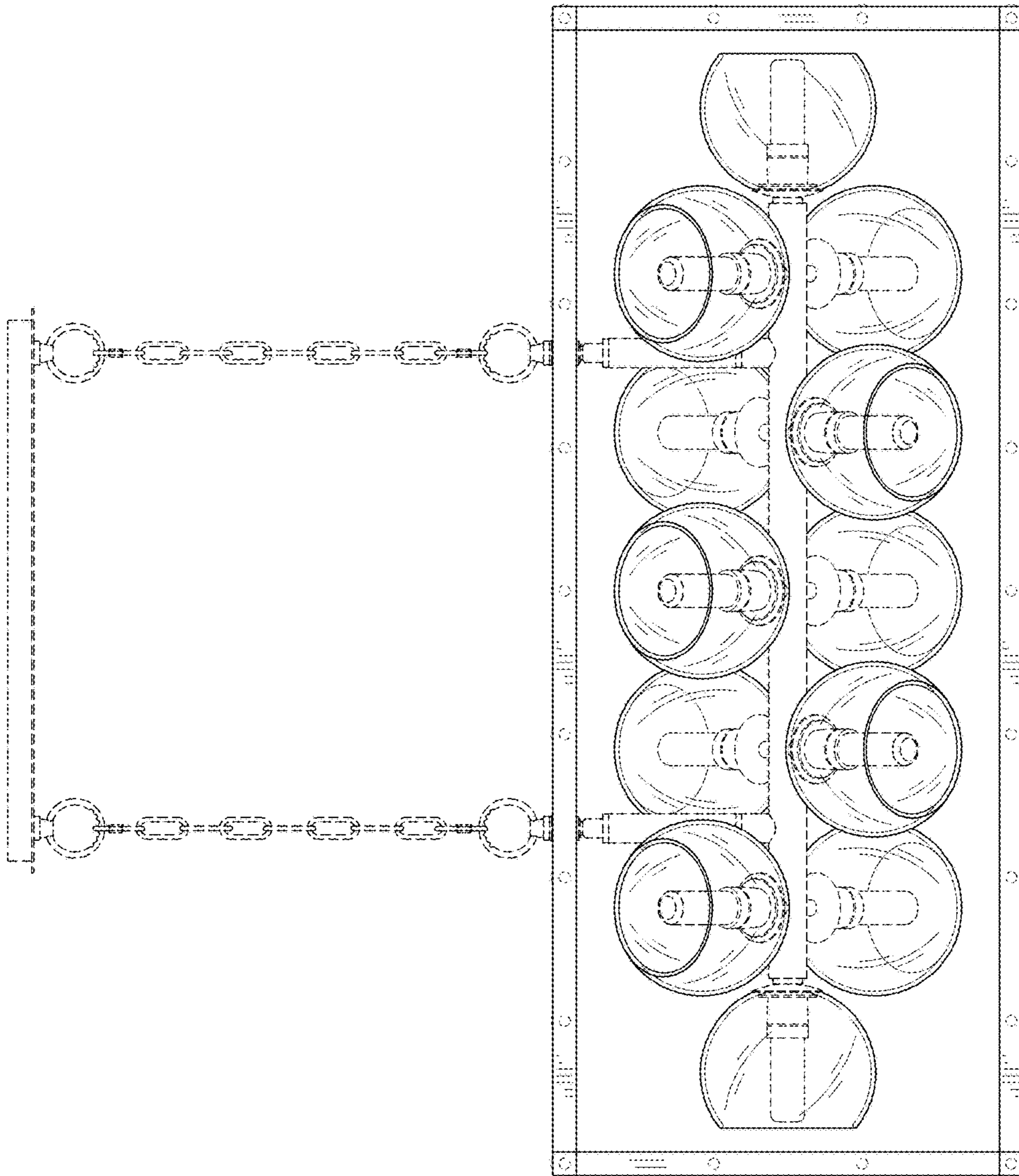


FIG. 3

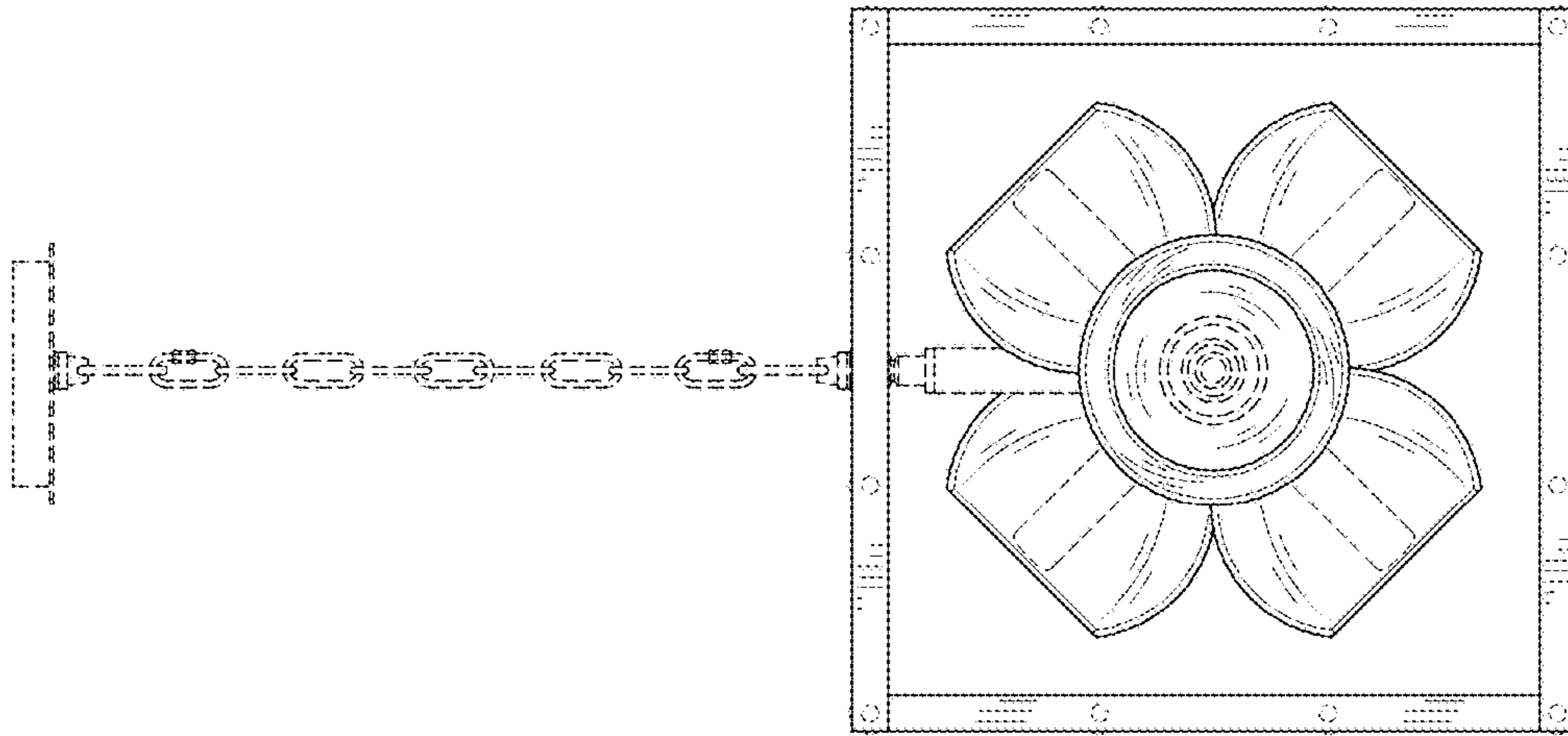


FIG. 5

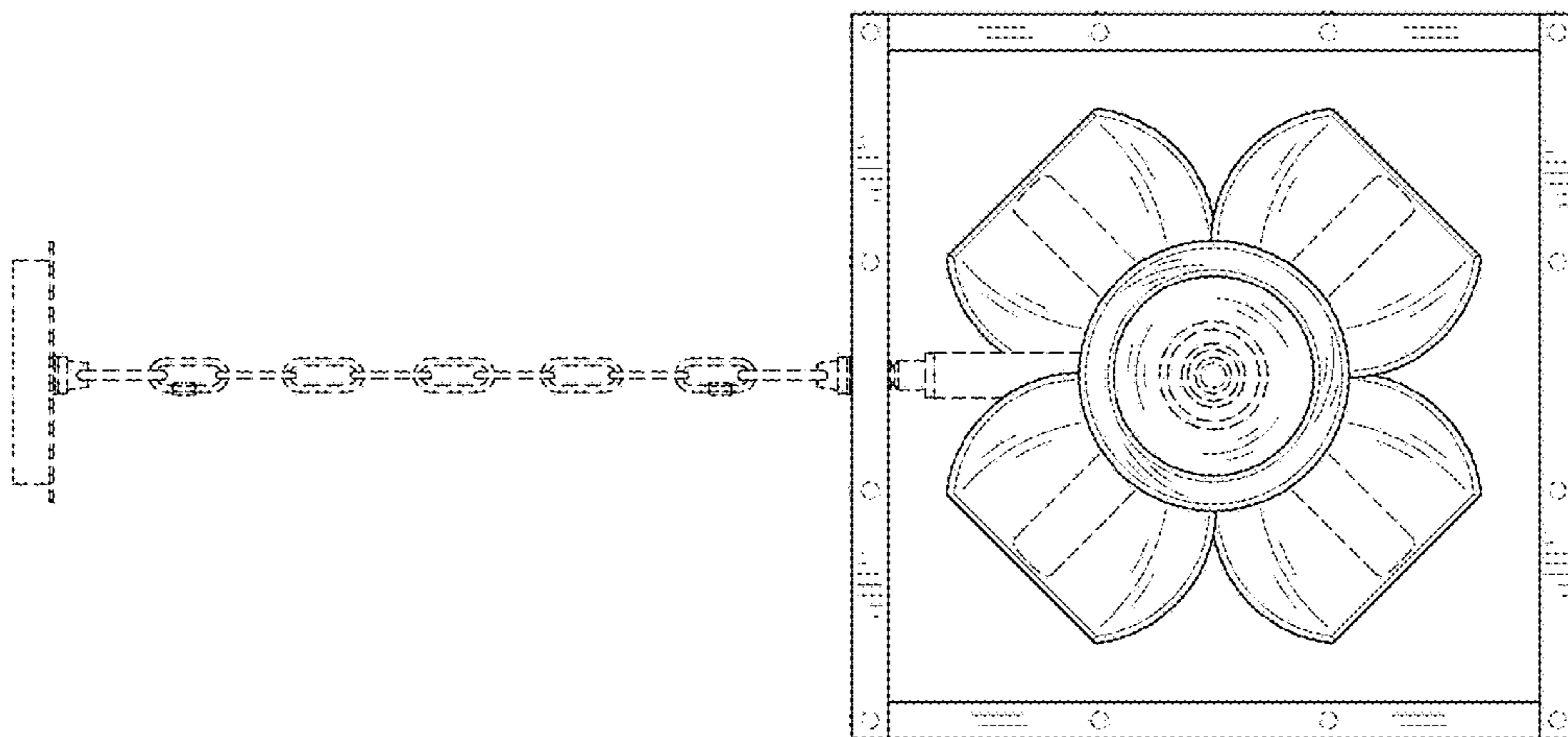


FIG. 4

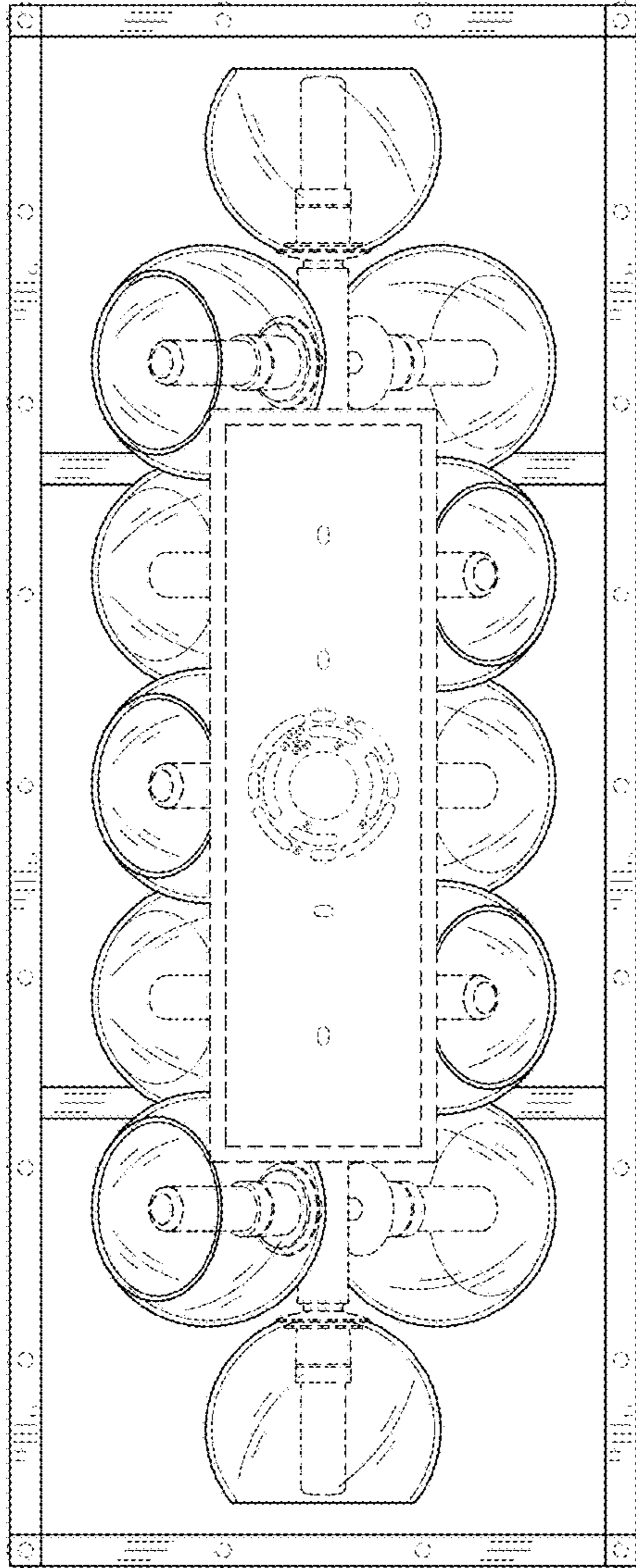


FIG. 6

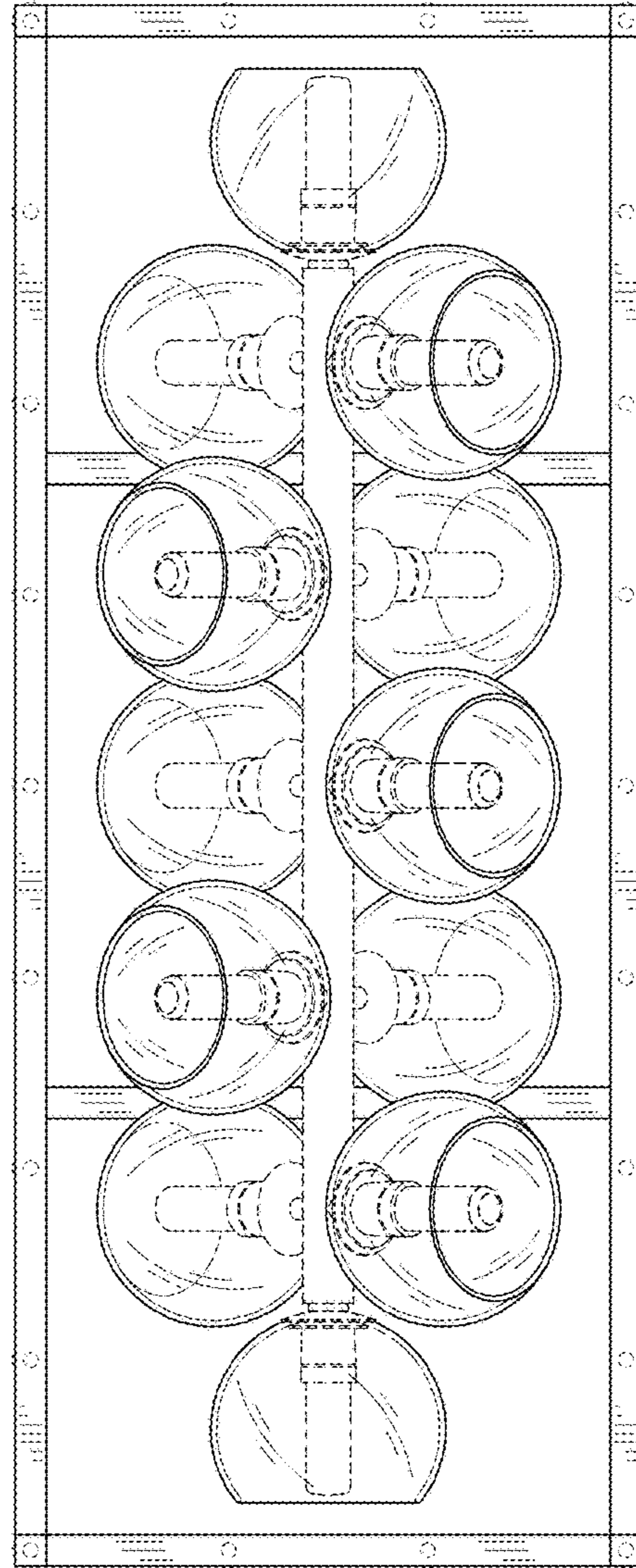


FIG. 7