



US00D861949S

(12) **United States Design Patent**
Hsu

(10) **Patent No.:** **US D861,949 S**
(45) **Date of Patent:** **** Oct. 1, 2019**

- (54) **LED LINEAR HIGH BAY LIGHT**
- (71) Applicant: **Stemod Technology LTD.**, New Taipei (TW)
- (72) Inventor: **Po-Chien Hsu**, New Taipei (TW)
- (73) Assignee: **Stemod Technology LTD.**, New Taipei (TW)

(**) Term: **15 Years**

(21) Appl. No.: **29/631,164**

(22) Filed: **Dec. 28, 2017**

(51) **LOC (12) Cl.** **26-04**

(52) **U.S. Cl.**
USPC **D26/76**

(58) **Field of Classification Search**
 USPC D26/72, 74, 76, 78-83, 85, 86, 88, 90,
 D26/93, 111, 113, 118, 119, 120, 121,
 D26/122, 138, 139, 140, 141, 142, 152
 CPC F21S 2/00; F21S 4/00; F21S 4/003; F21S
 4/005; F21S 4/006; F21S 4/007; F21S
 4/008; F21S 6/00; F21S 8/00; F21S
 8/024; F21S 8/026; F21S 8/031; F21S
 8/033; F21S 8/035-037; F21S 8/04; F21S
 8/043; F21S 8/063

See application file for complete search history.

(56) **References Cited**

U.S. PATENT DOCUMENTS

D300,953 S *	5/1989	Hughes	D26/78
D319,601 S *	9/1991	Sasaki	D26/35
D329,300 S *	9/1992	Hong	D26/78
D399,587 S *	10/1998	Compton	D26/76
D476,753 S *	7/2003	Chelf	D26/3
D554,793 S *	11/2007	Bobel	D26/76

D604,885 S *	11/2009	Ford	D26/76
D607,599 S *	1/2010	Zhou	D26/76
D611,643 S *	3/2010	Owen	D26/76
D669,204 S *	10/2012	Snell	D26/76
D693,514 S *	11/2013	Mueller	D26/76
D799,733 S *	10/2017	Recker	D26/76
D818,626 S *	5/2018	Park	D26/76
D819,863 S *	6/2018	Deng	D26/76
D822,871 S *	7/2018	Levy	D26/76

* cited by examiner

Primary Examiner — **Natasha Vujcic**

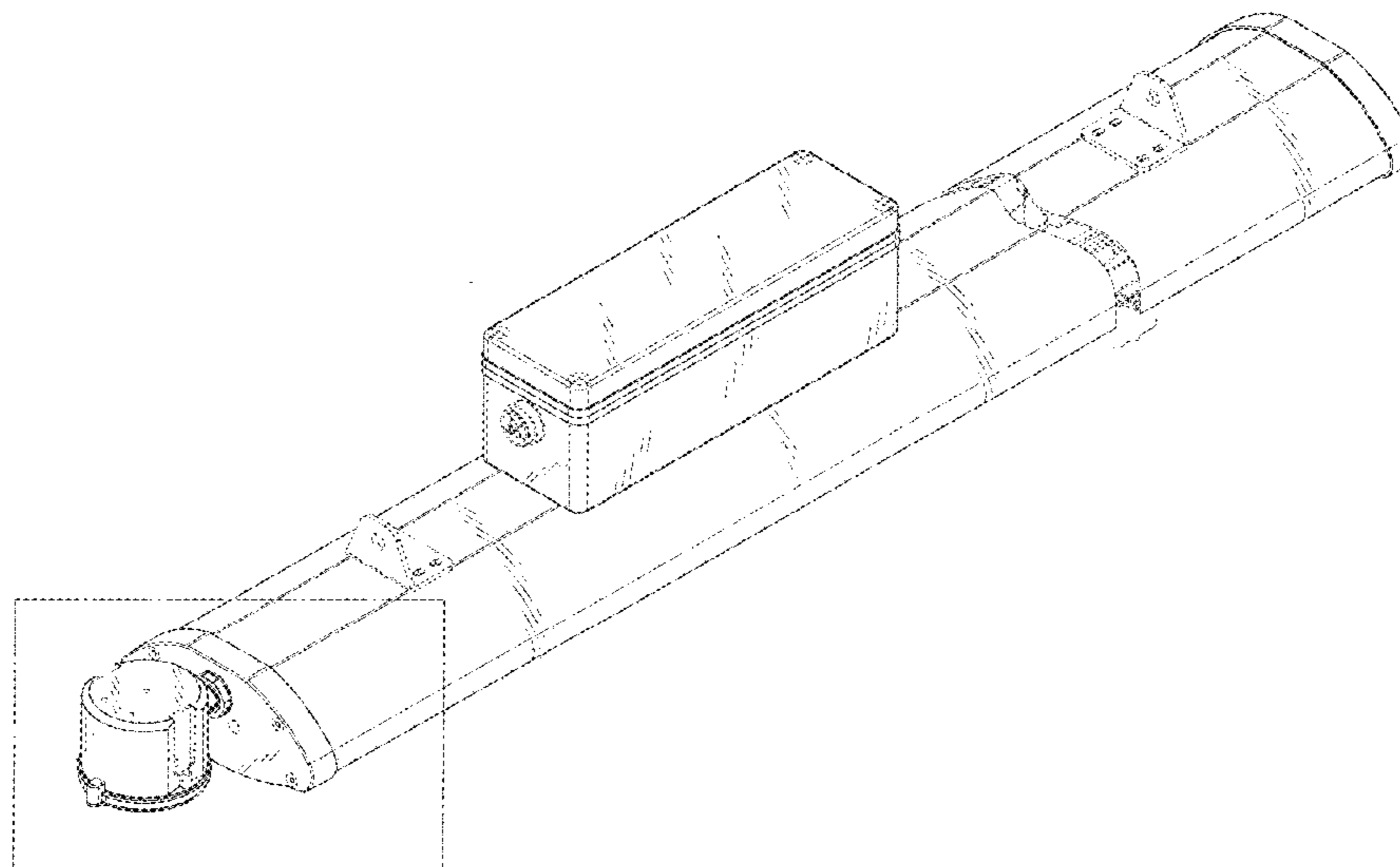
(57) **CLAIM**

The ornamental design for a LED linear high bay light, as shown and described.

DESCRIPTION

FIG. 1 is a perspective view of a LED linear high bay light showing my new design;
 FIG. 2 is a front elevation view of the LED linear high bay light of FIG. 1;
 FIG. 3 is a rear elevation view of the LED linear high bay light of FIG. 1;
 FIG. 4 is an enlarged left-side elevation view of the LED linear high bay light of FIG. 1;
 FIG. 5 is an enlarged right-side elevation view of the LED linear high bay light of FIG. 1;
 FIG. 6 is a top plan view of the LED linear high bay light of FIG. 1;
 FIG. 7 is a bottom plan view of the LED linear high bay light of FIG. 1;
 FIG. 8 is an enlarged view of a portion of FIG. 1; and
 FIG. 9 is another enlarged view of the portion of FIG. 1.
 The break lines in the drawings indicate that the appearance of any portion of the LED linear high bay light between the break lines forms no part of the claimed design.

1 Claim, 7 Drawing Sheets



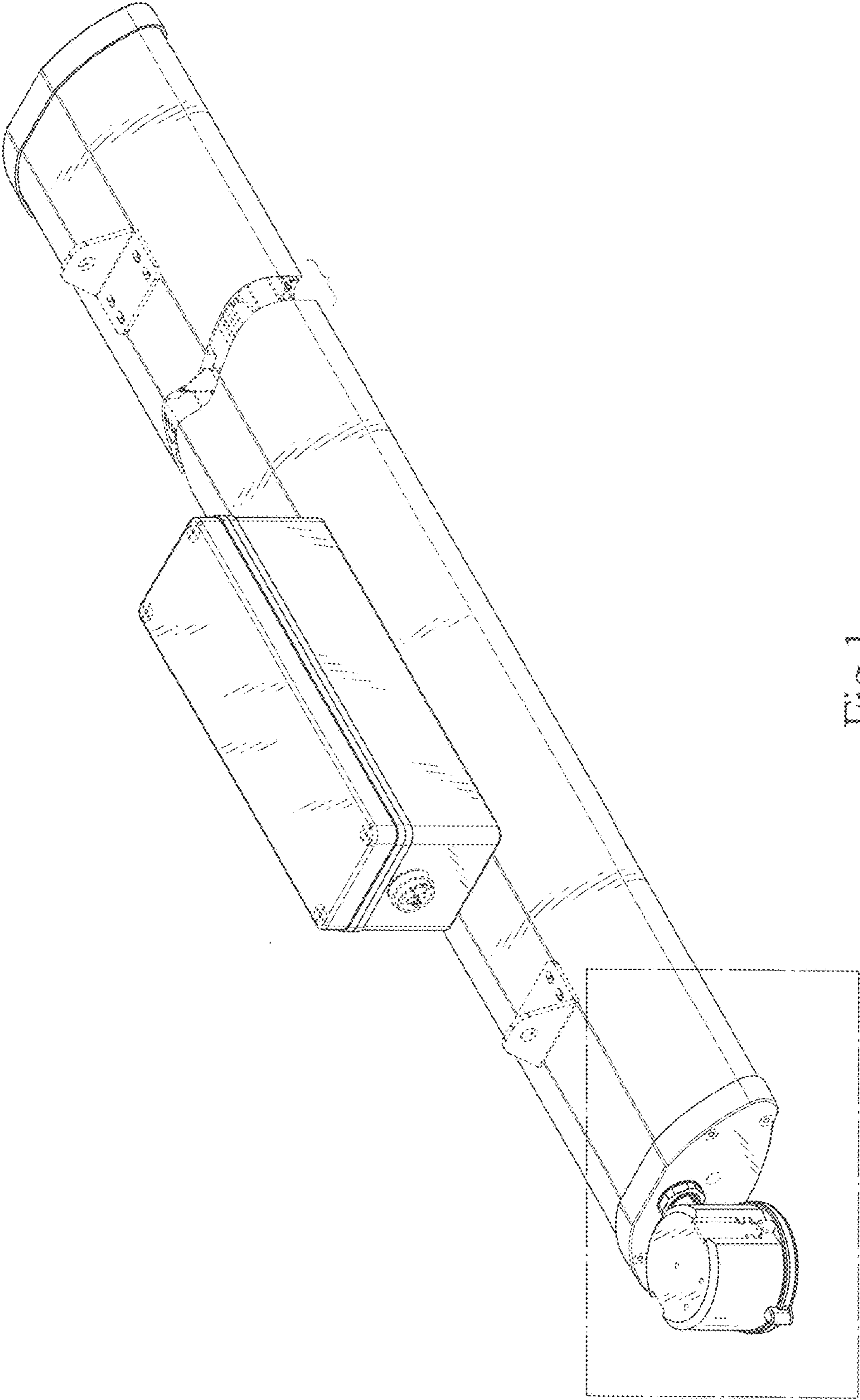


Fig.1

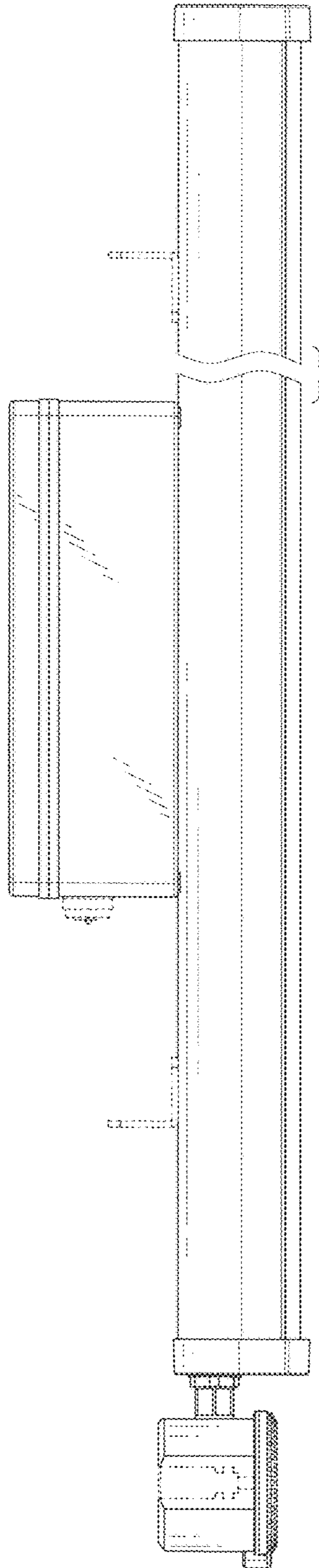


Fig.2

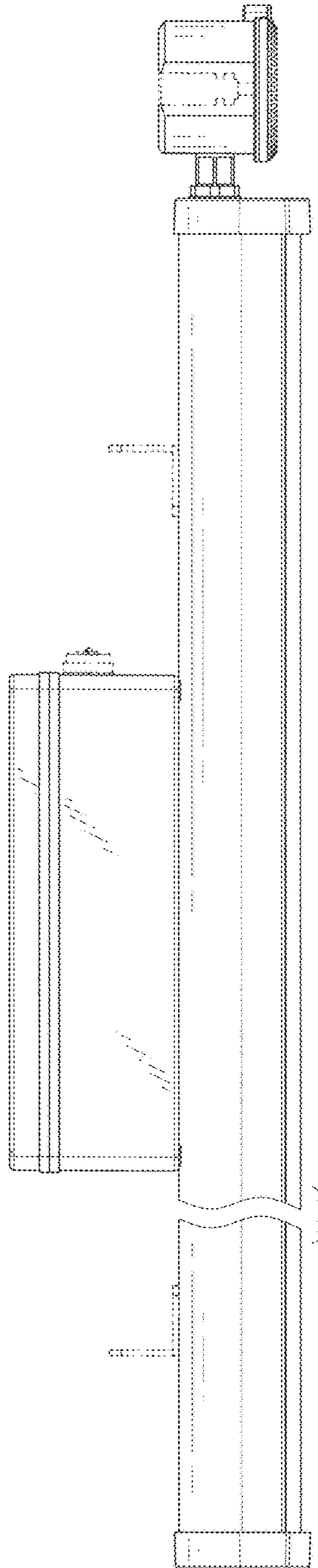


Fig. 3

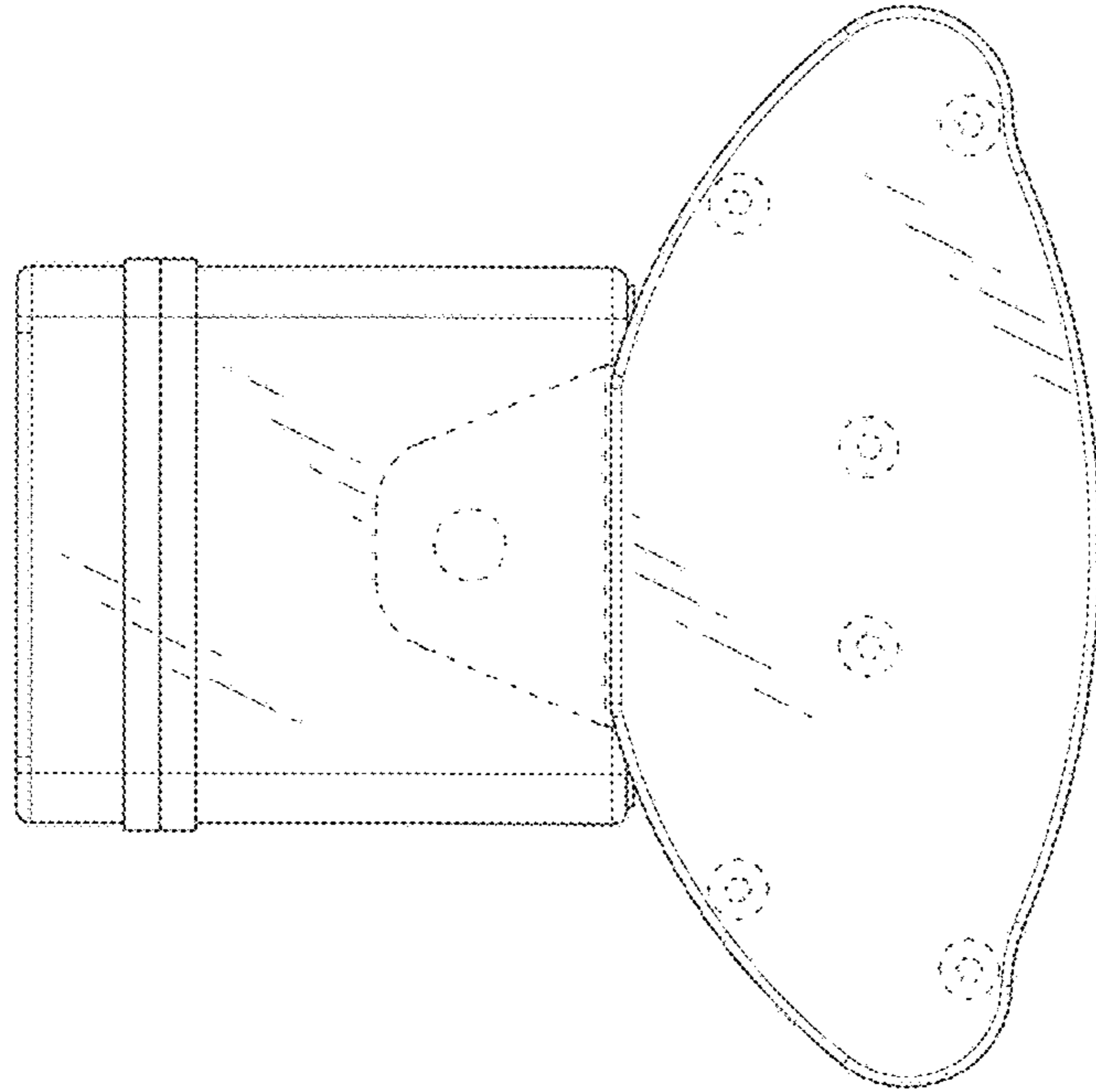


Fig.5

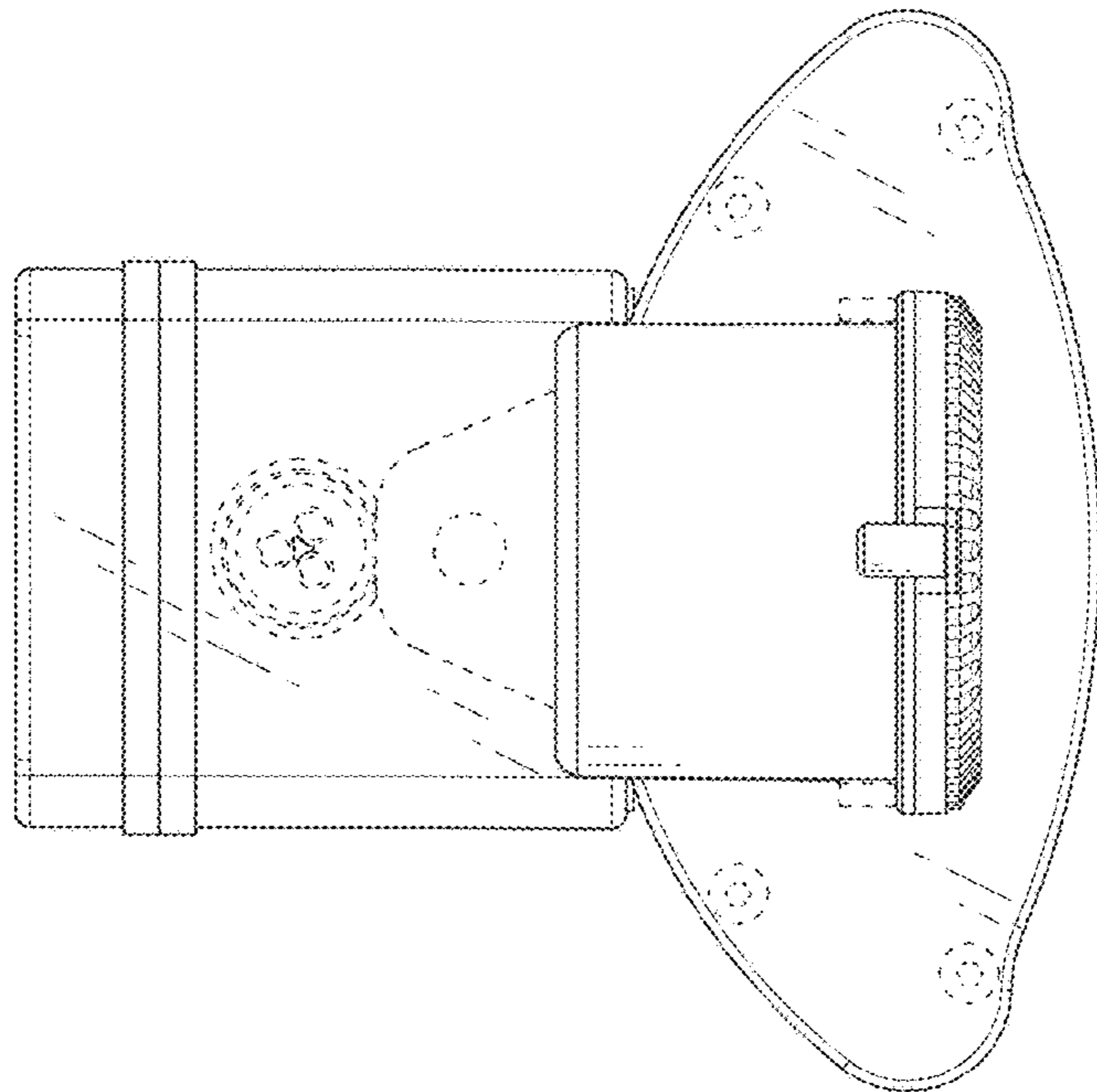


Fig.4

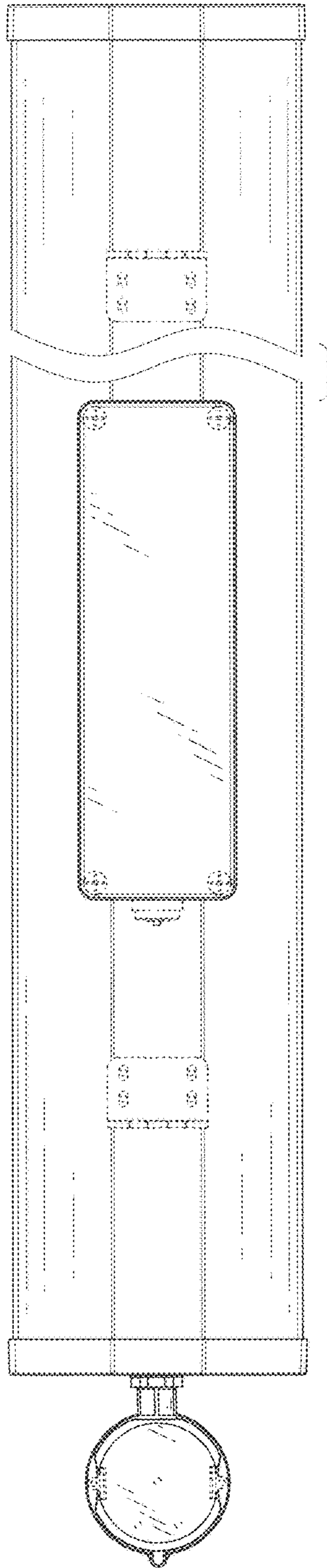


Fig. 6

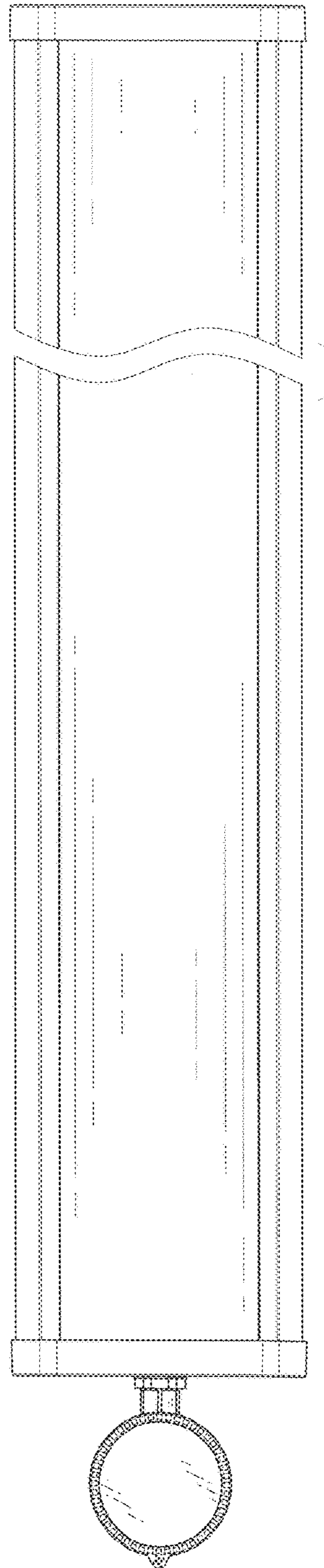


Fig. 7

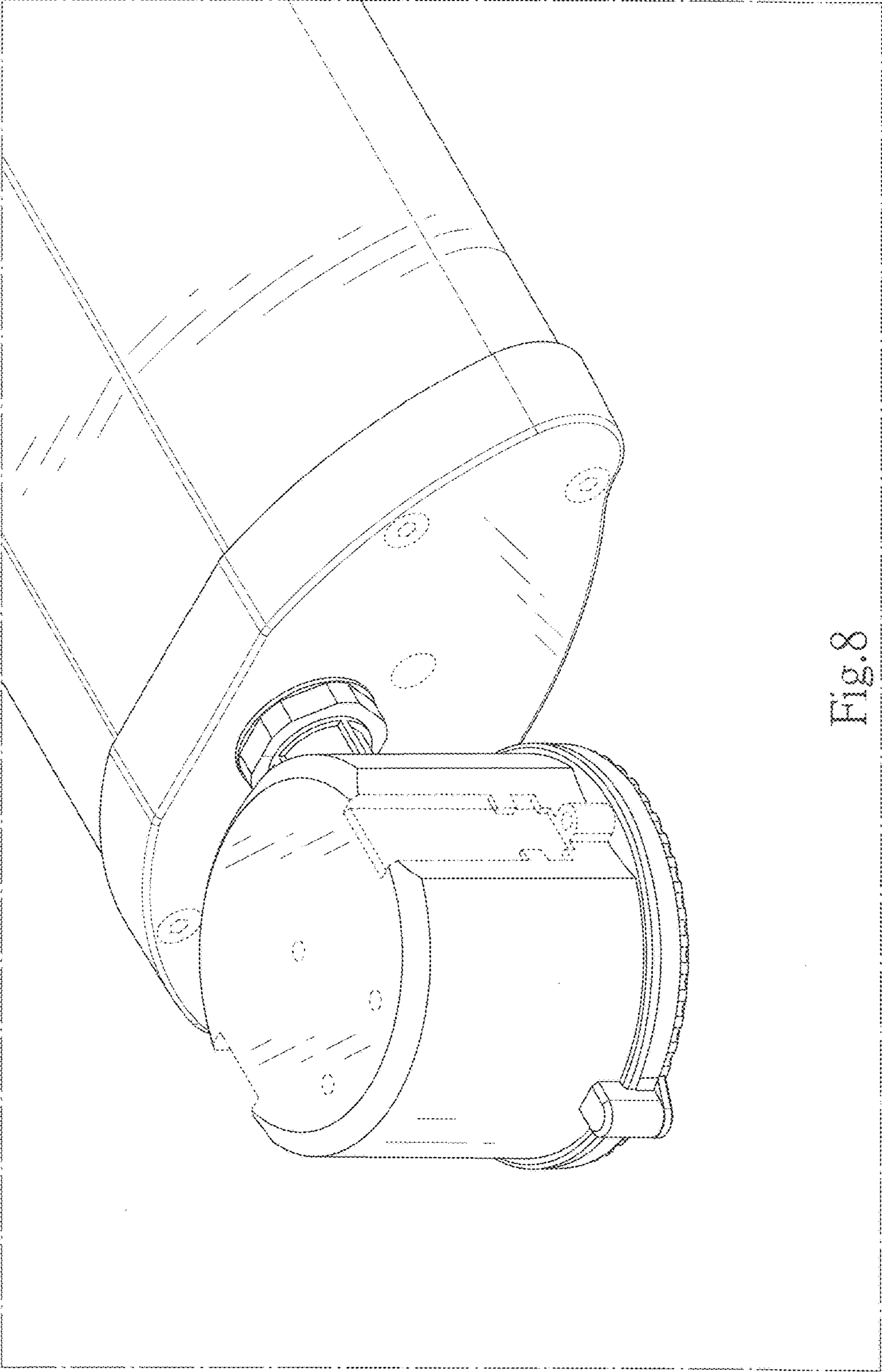


Fig. 8

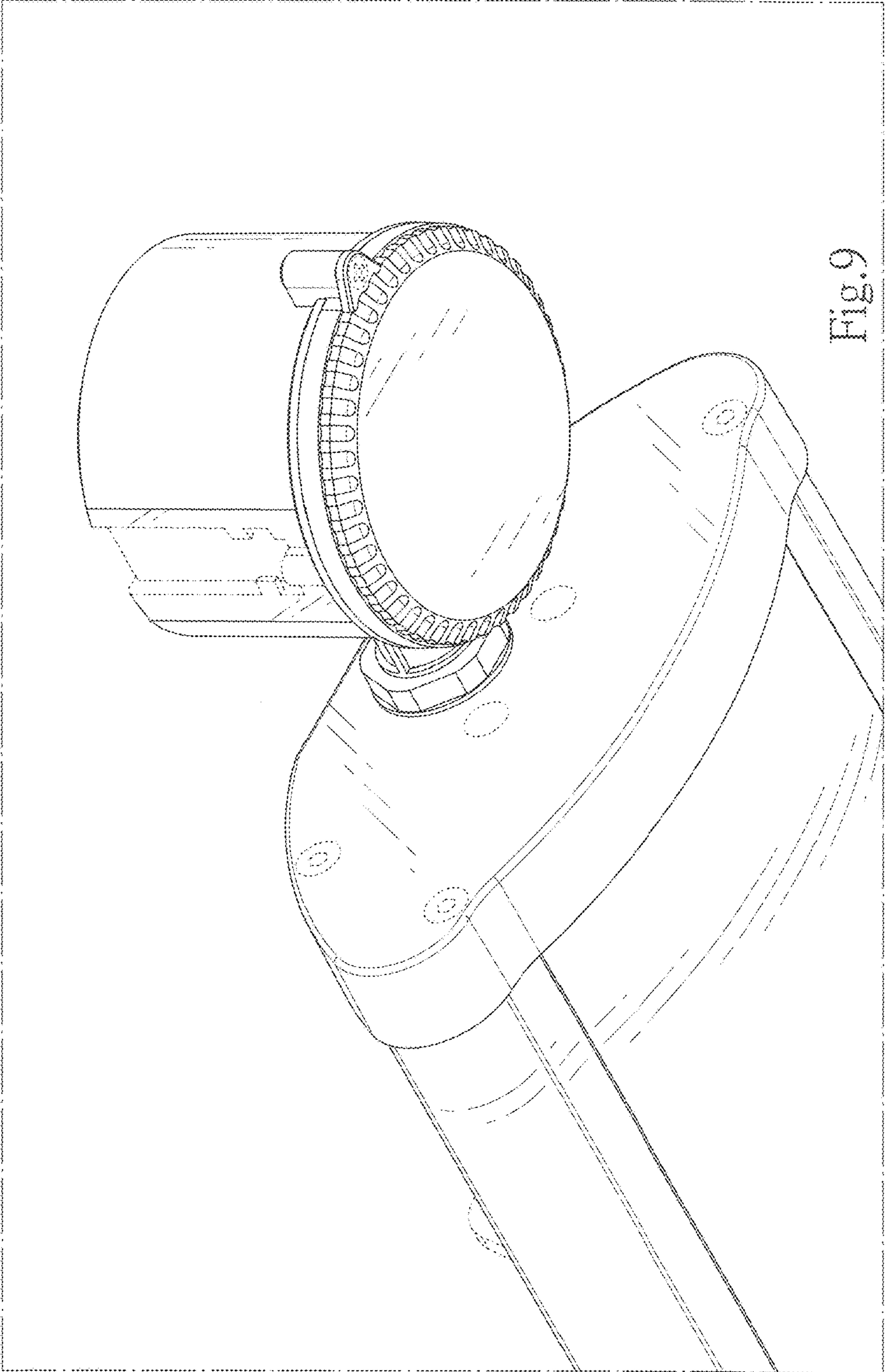


Fig. 9