



US00D861948S

(12) **United States Design Patent** (10) **Patent No.:** **US D861,948 S**
Xu (45) **Date of Patent:** **** Oct. 1, 2019**

(54) **EMERGENCY PANEL LIGHT**
(71) Applicant: **Yibo Xu**, Guangdong (CN)
(72) Inventor: **Yibo Xu**, Guangdong (CN)
(73) Assignee: **SHENZHEN JIANGJING LIGHTING CORPORATION LTD.**, Shenzhen, Guangdong (CN)
(**) Term: **15 Years**
(21) Appl. No.: **29/630,951**
(22) Filed: **Dec. 25, 2017**
(51) **LOC (12) Cl.** **26-04**
(52) **U.S. Cl.**
USPC **D26/76**
(58) **Field of Classification Search**
USPC D26/76, 78, 79, 80, 81, 82, 83, 85, 86, D26/88, 90, 93, 111, 113, 118, 119, 120, D26/121, 122, 138, 139, 140, 141, 142, D26/152
CPC F21S 2/00; F21S 4/00; F21S 4/003; F21S 4/005; F21S 4/006; F21S 4/007; F21S 4/008; F21S 6/00; F21S 8/00; F21S 8/024; F21S 8/026; F21S 8/031; F21S 8/033; F21S 8/035-037; F21S 8/04; F21S 8/043; F21S 8/063
See application file for complete search history.

D780,363 S * 2/2017 Scribante D26/76
D819,862 S * 6/2018 Deng D26/76
D833,052 S * 11/2018 Verfueth D26/76
D833,664 S * 11/2018 Verfueth D26/76

* cited by examiner

Primary Examiner — Natasha Vujcic
(74) *Attorney, Agent, or Firm* — KA Filing LLC; Wayne V. Harper

(57) **CLAIM**

The ornamental design for an emergency panel light, as shown and described.

DESCRIPTION

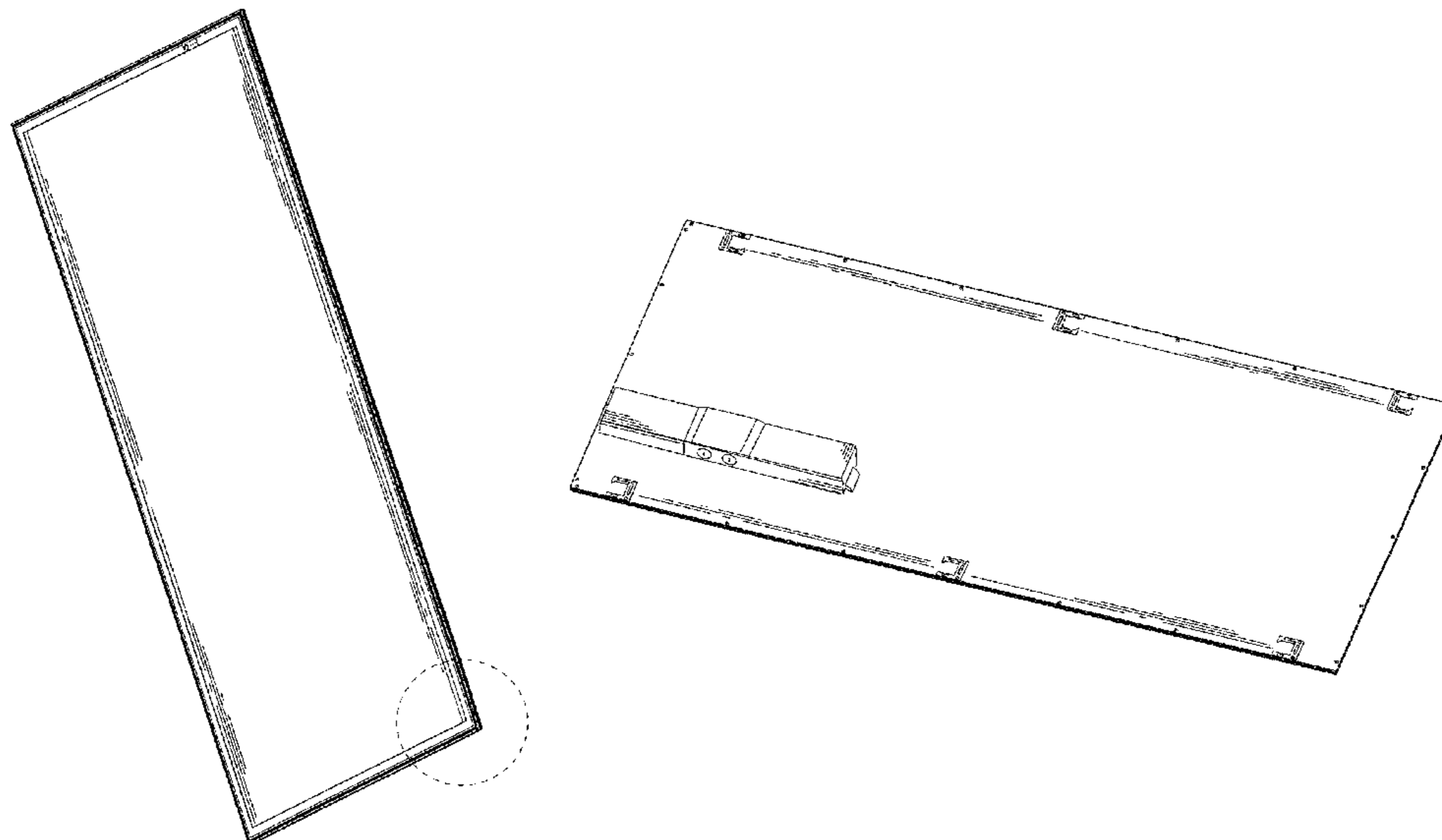
FIG. 1 is a perspective view of the front of an emergency panel light showing my new design;
FIG. 2 is a front elevational view of the emergency panel light of FIG. 1;
FIG. 3 is a rear elevational view of the emergency panel light of FIG. 1;
FIG. 4 is a left side elevational view of the emergency panel light of FIG. 1;
FIG. 5 is a right side elevational view of the emergency panel light of FIG. 1;
FIG. 6 is a top plan view of the emergency panel light of FIG. 1;
FIG. 7 is a bottom plan view of the emergency panel light of FIG. 1;
FIG. 8 is an enlarged view of the emergency panel light taken from the circled portion in FIG. 1;
FIG. 9 is an enlarged view of the emergency panel light taken from the circled portion in FIG. 4; and,
FIG. 10 is a perspective view of the rear of an emergency panel light showing my new design.
The broken lines in the drawings illustrate the environment of the emergency panel light which forms no part of the claimed design.

(56) **References Cited**

U.S. PATENT DOCUMENTS

D584,848 S * 1/2009 Menke D26/76
D649,679 S * 11/2011 Germain D26/85
D665,119 S * 8/2012 Bryant D26/122
D716,489 S * 10/2014 O'Leary D26/90
D747,529 S * 1/2016 Yoon D26/74
D762,322 S * 7/2016 Scribante D26/90
D770,083 S * 10/2016 Clark D26/120

1 Claim, 10 Drawing Sheets



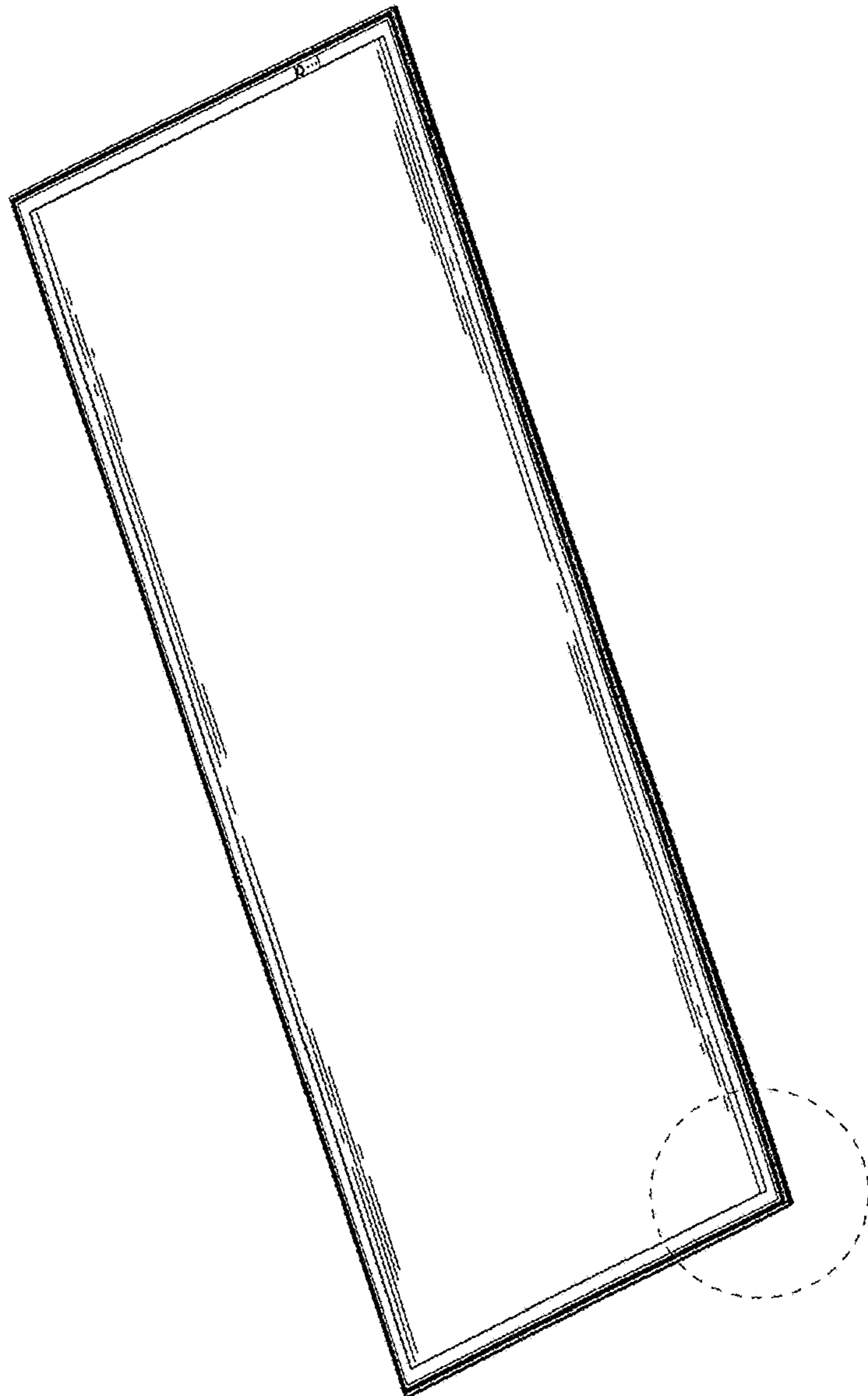


FIG.1

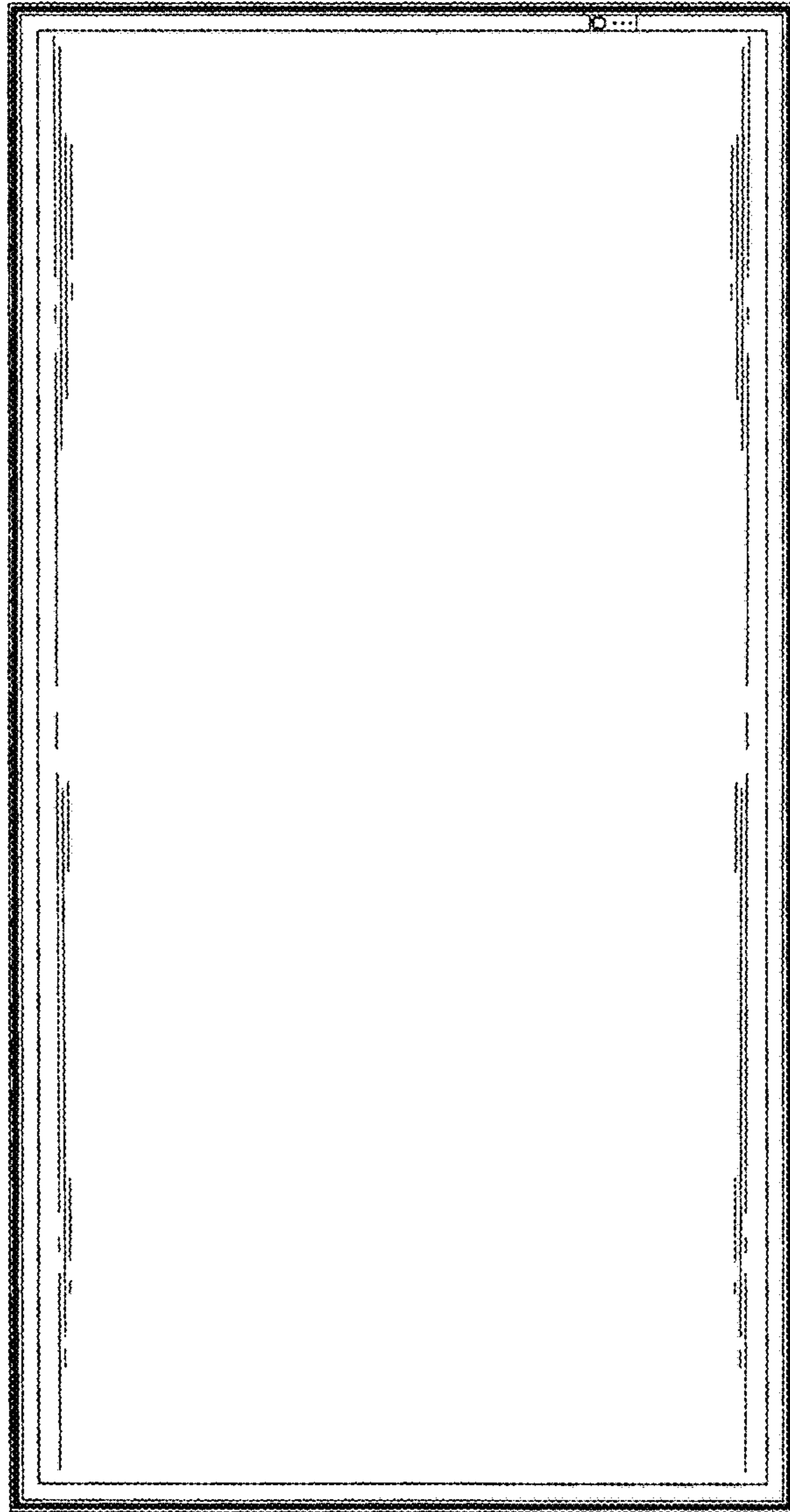


FIG.2

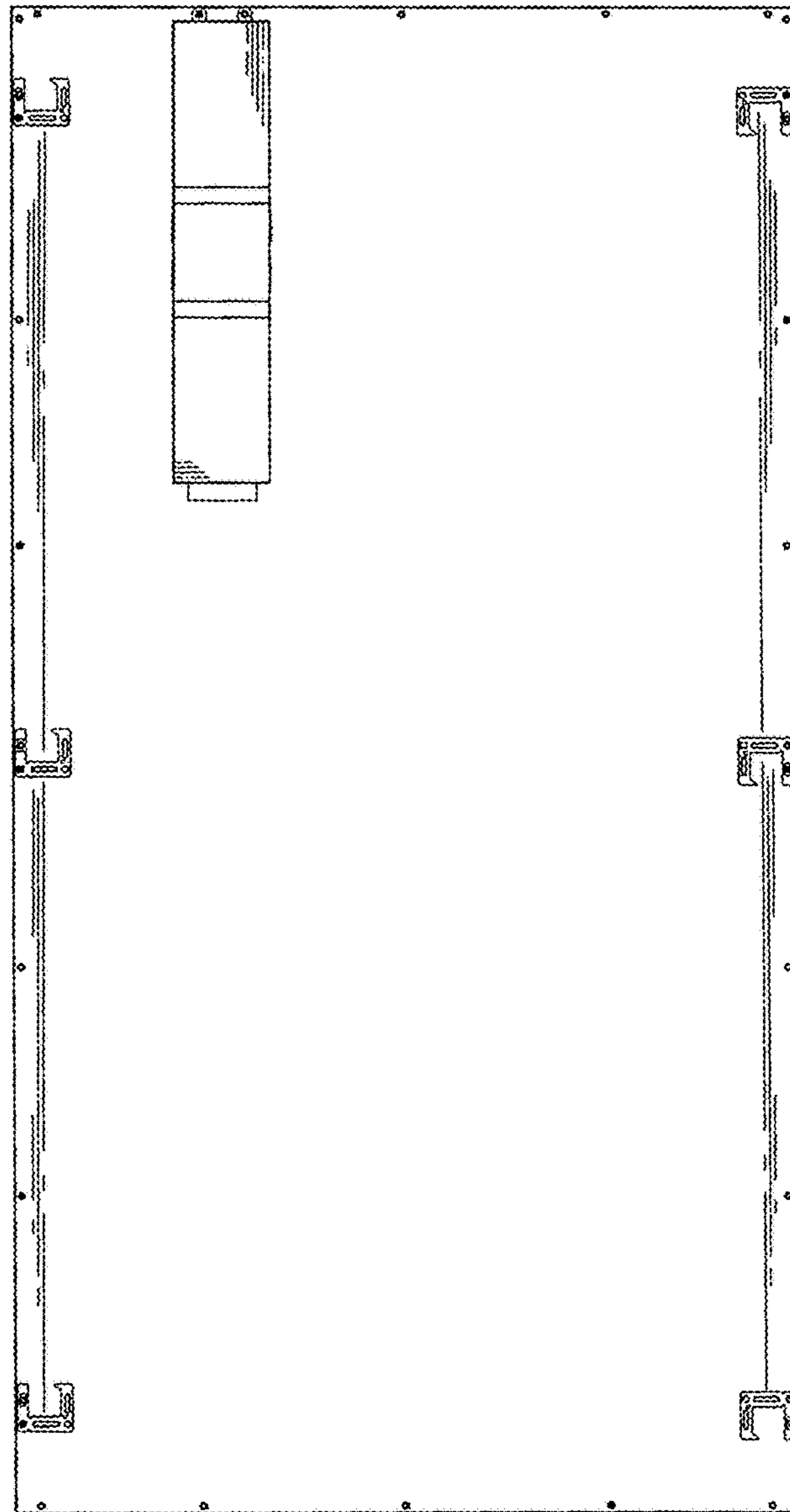


FIG.3

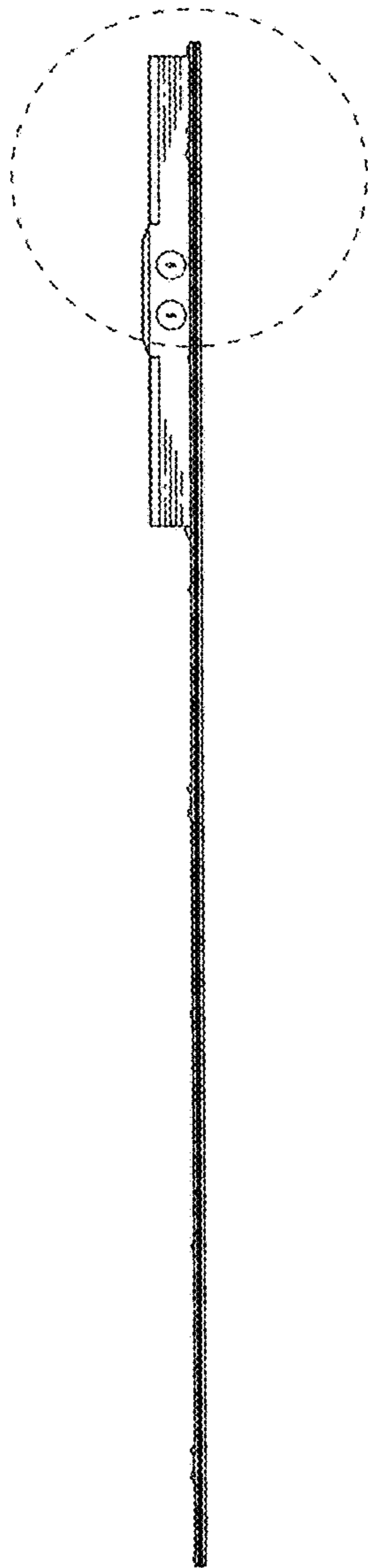


FIG.4



FIG.5



FIG.6

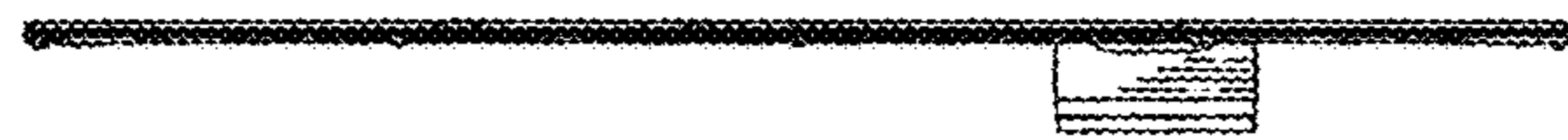


FIG. 7

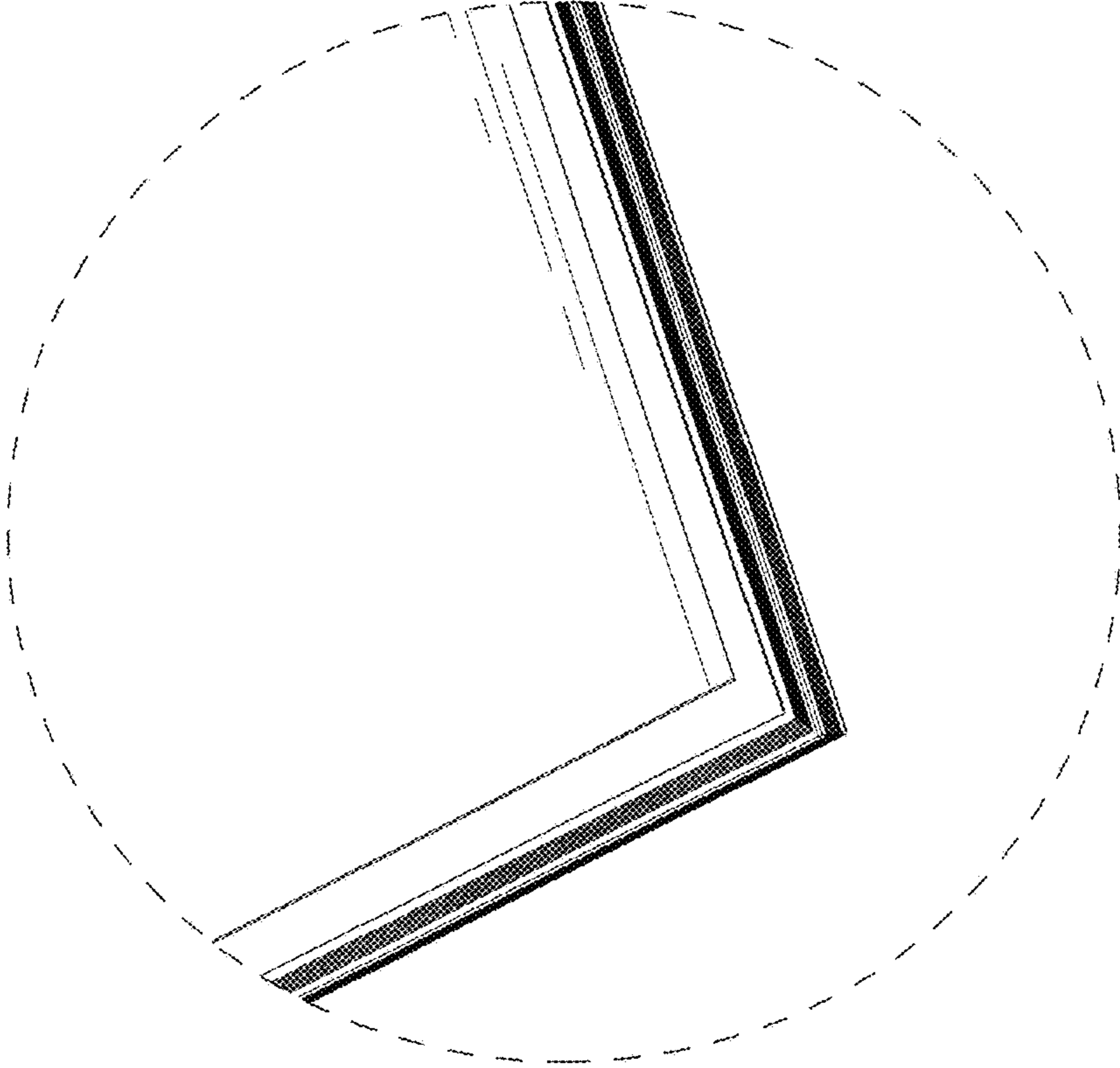


FIG. 8

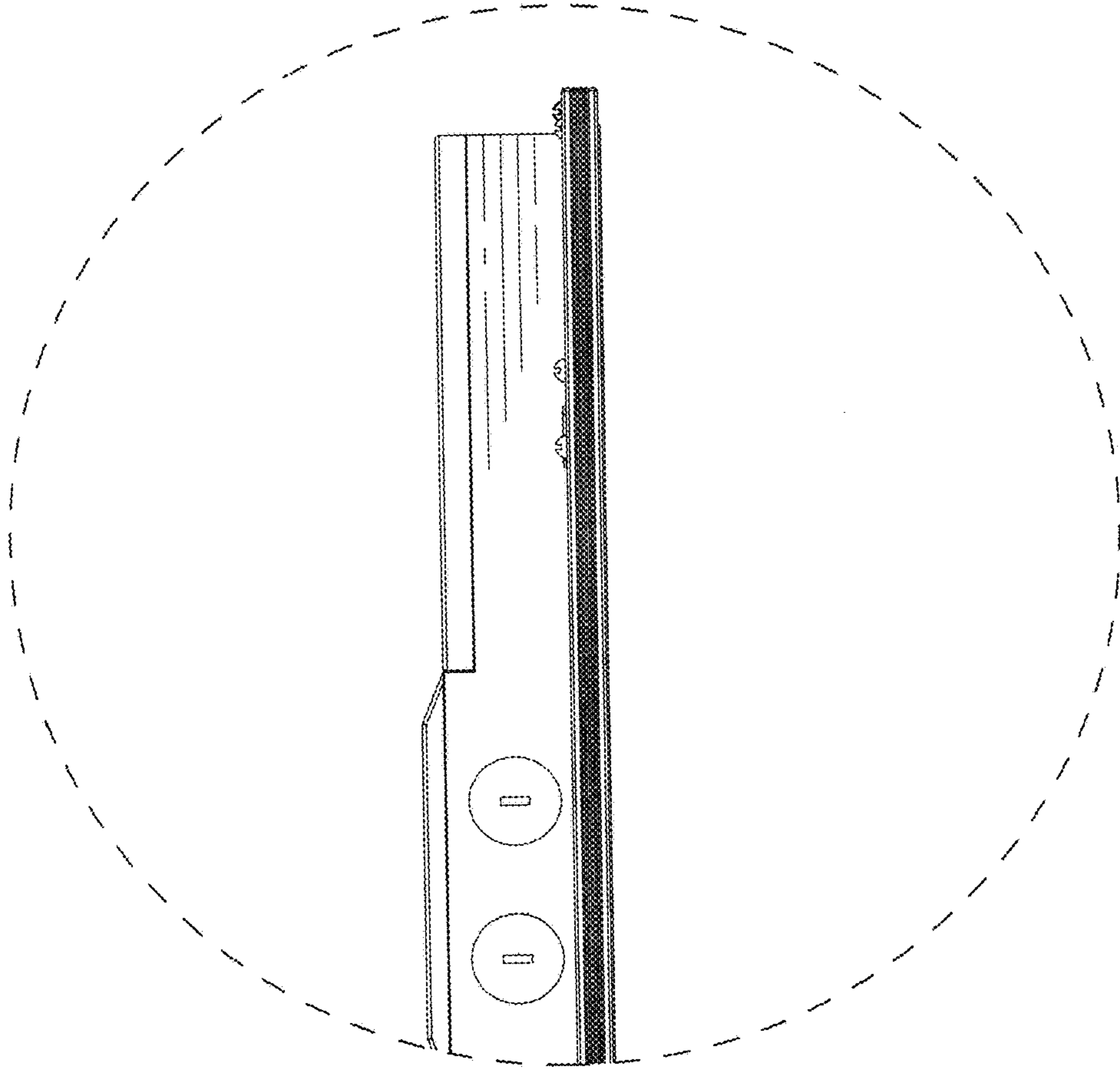


FIG. 9

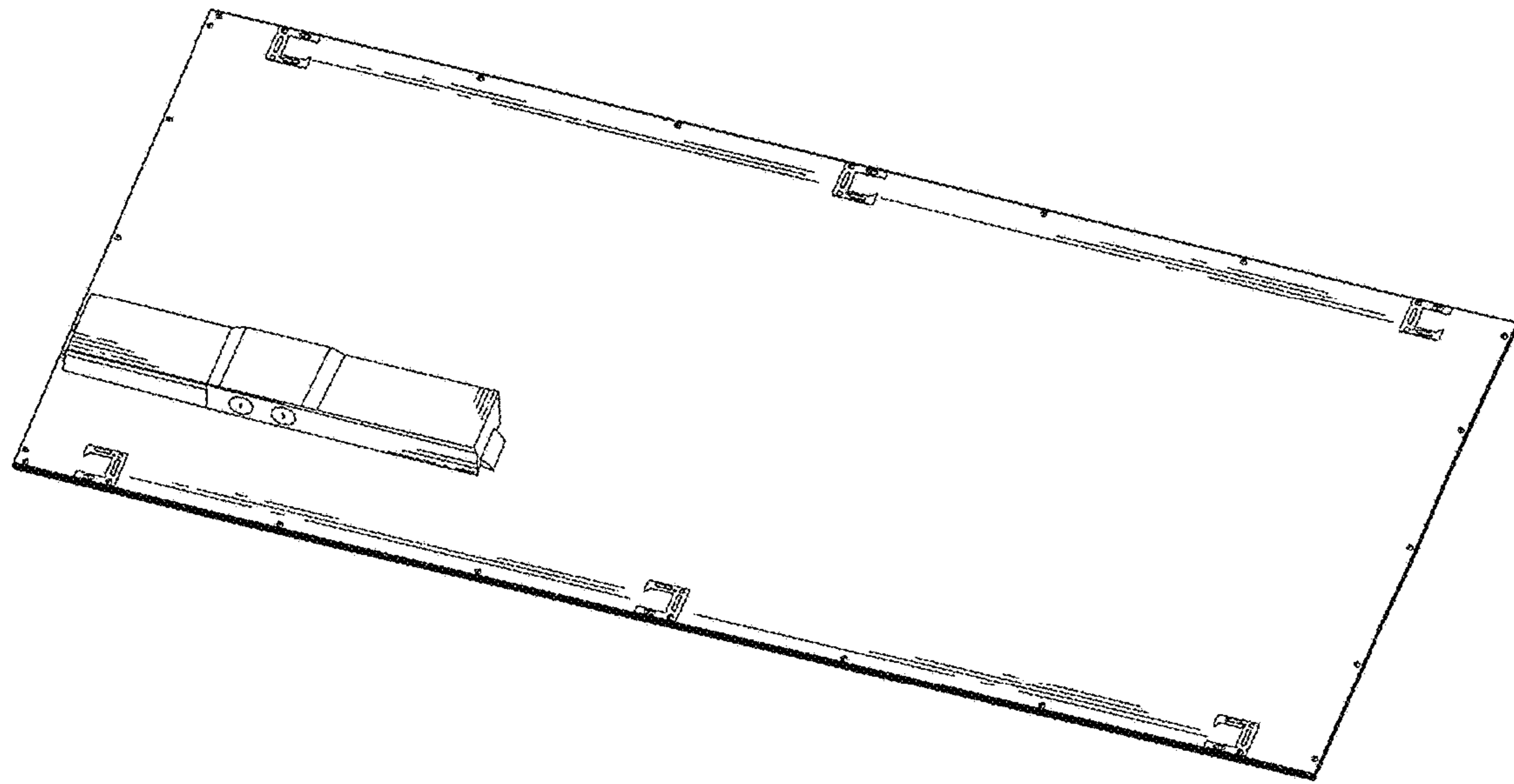


FIG. 10