



US00D861947S

(12) **United States Design Patent** (10) **Patent No.:** **US D861,947 S**
Ma (45) **Date of Patent:** **** Oct. 1, 2019**

(54) **LIGHT FIXTURE**

(71) Applicant: **Foshan GrowSpec Eco-Agriculture Technology Co., Ltd.**, Foshan, Guangdong (CN)

(72) Inventor: **Yong Ma**, Guangdong (CN)

(73) Assignee: **Foshan GrowSpec Eco-Agriculture Technology Co., Ltd.**, Foshan (CN)

(**) Term: **15 Years**

(21) Appl. No.: **29/633,516**

(22) Filed: **Jan. 15, 2018**

(30) **Foreign Application Priority Data**

Sep. 7, 2017 (CN) 2017 3 0422927

(51) **LOC (12) Cl.** **26-05**

(52) **U.S. Cl.**
USPC **D26/72**

(58) **Field of Classification Search**
USPC D26/72, 75, 85, 88, 89, 90, 91, 113, 118, D26/138

CPC F21V 29/67; F21V 11/06; A01G 7/045; A10G 9/26

See application file for complete search history.

(56) **References Cited**

U.S. PATENT DOCUMENTS

- D190,922 S * 7/1961 Anthony D26/24
- D681,261 S * 4/2013 Miyatake D26/120
- D709,238 S * 7/2014 May D26/72
- D728,140 S * 4/2015 Lay D26/76
- D802,203 S * 11/2017 Hrach D26/118

- 10,222,046 B2 * 3/2019 Brumm F21V 29/67
- 2013/0271988 A1 * 10/2013 Lin F21V 29/507
- 362/249.02
- 2017/0051905 A1 * 2/2017 Luu F21V 21/005

OTHER PUBLICATIONS

- EH280I-LED-Greenhouse-Light <https://www.progrowtech.com/home/eh280i-led-greenhouse-light/> Nov. 2016 (Year: 2016).*
- Foshan Grow Light <https://www.growspec.cn/product/product.php?class2=53> Apr. 11, 2019 (Year: 2019).*
- Sunray Series Full Cycle LED Grow Light <https://www.growspecusa.com/Grow-Lights/SUNRAY-SERIES> May 3, 2019 (Year: 2019).*
- Grow Spec Sunray grow lights <http://grow-spec.com/?cat=123> Oct. 25, 2017 (Year: 2017).*

* cited by examiner

Primary Examiner — Leanne Was-Englehart

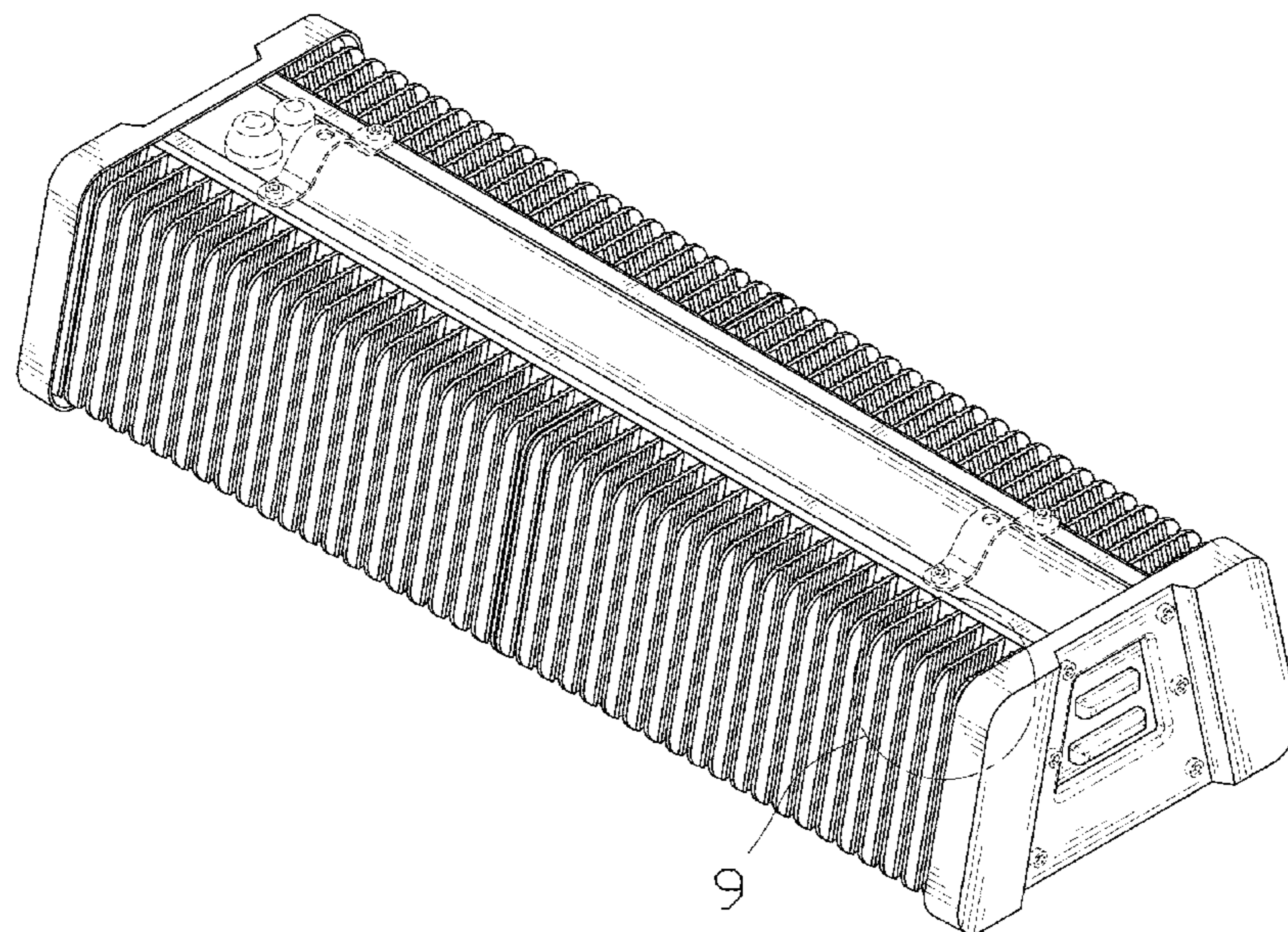
(57) **CLAIM**

The ornamental design for a light fixture, as shown and described.

DESCRIPTION

FIG. 1 is a top perspective view of a light fixture showing my new design;
 FIG. 2 is a bottom perspective view thereof;
 FIG. 3 is a front elevational view thereof;
 FIG. 4 is a rear elevational view thereof;
 FIG. 5 is a left side view thereof;
 FIG. 6 is a right side view thereof;
 FIG. 7 is a top plan view thereof;
 FIG. 8 is a bottom plan view thereof; and,
 FIG. 9 is an enlarged view of portion 9 in FIG. 1.
 The broken lines in the drawings illustrate portions of the light fixture which form no part of the claimed design.

1 Claim, 9 Drawing Sheets



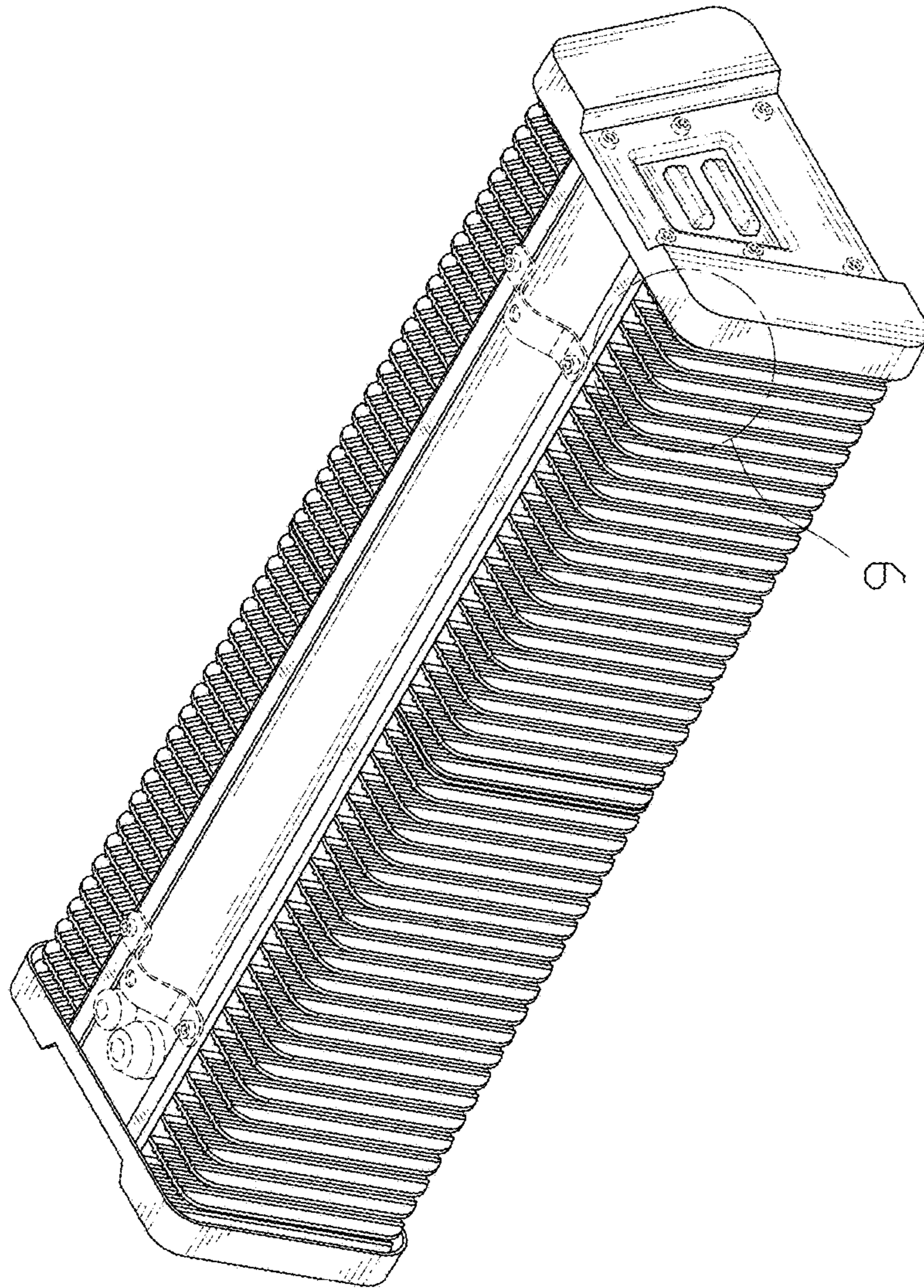


FIG. 1

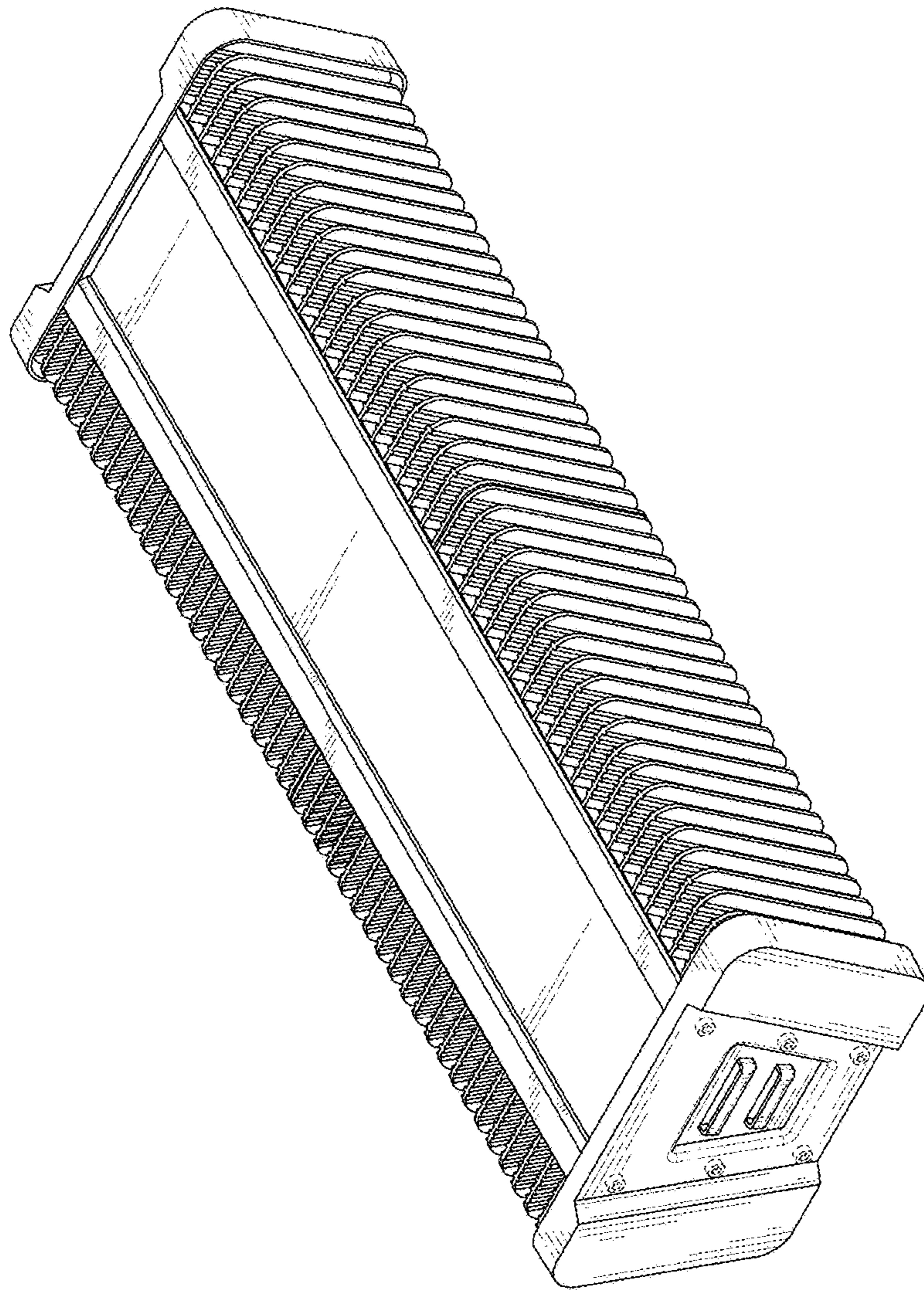


FIG. 2

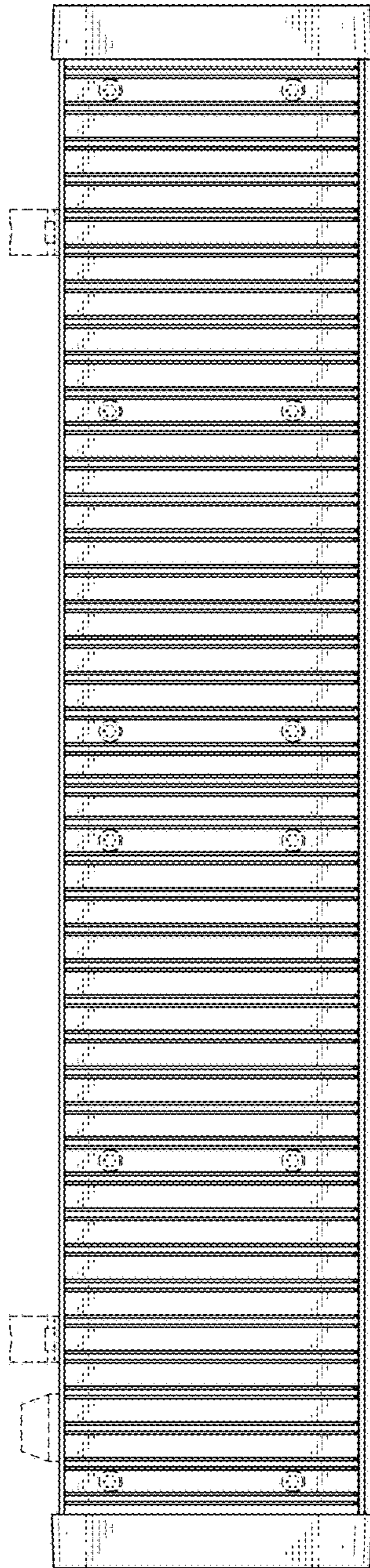


FIG. 3

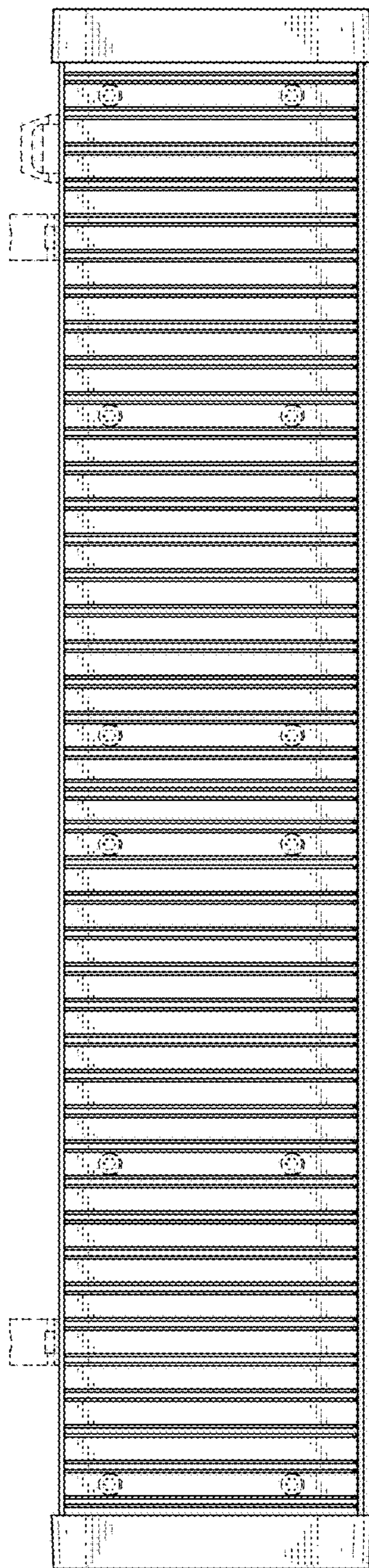


FIG. 4

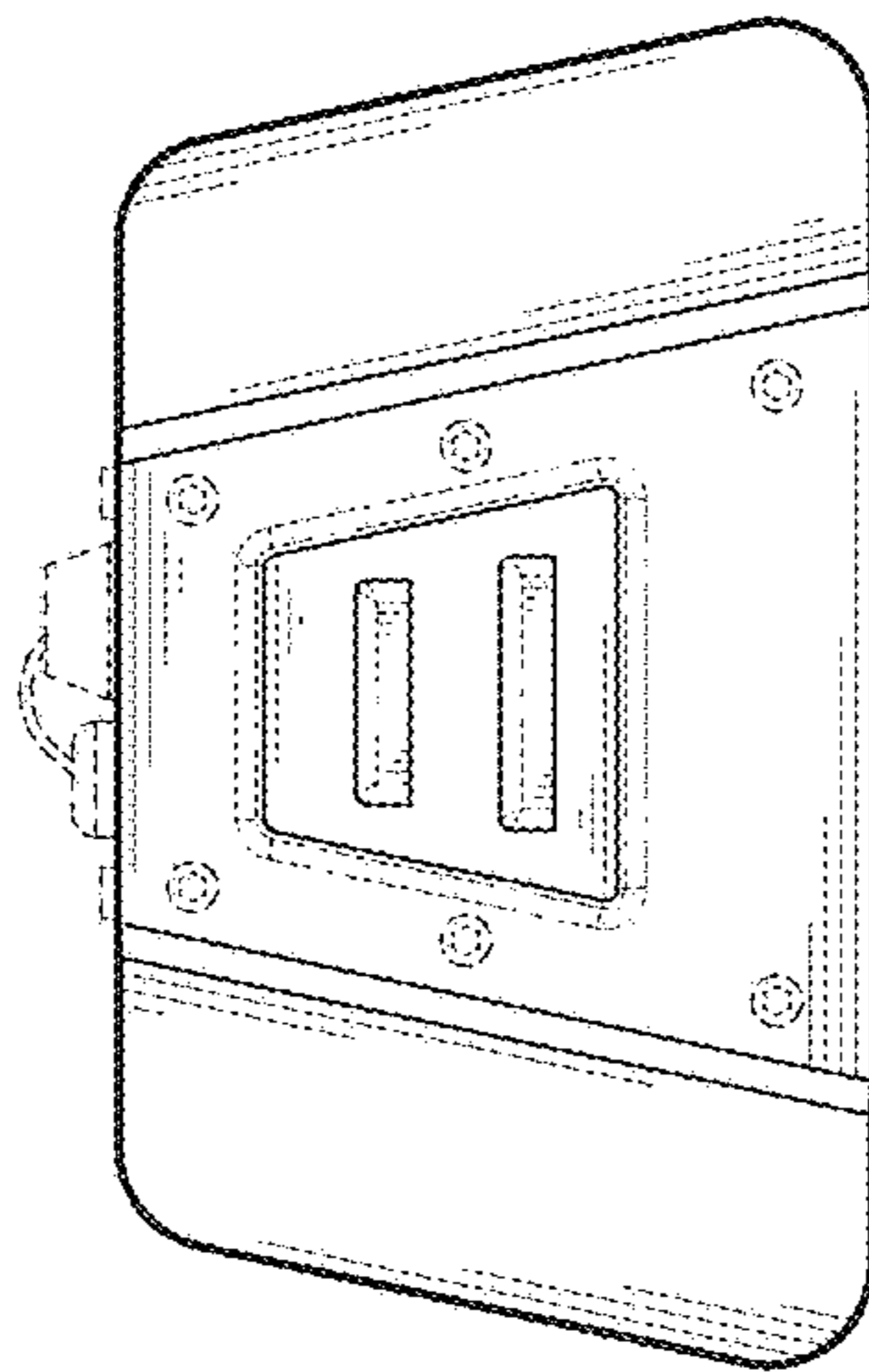


FIG. 5

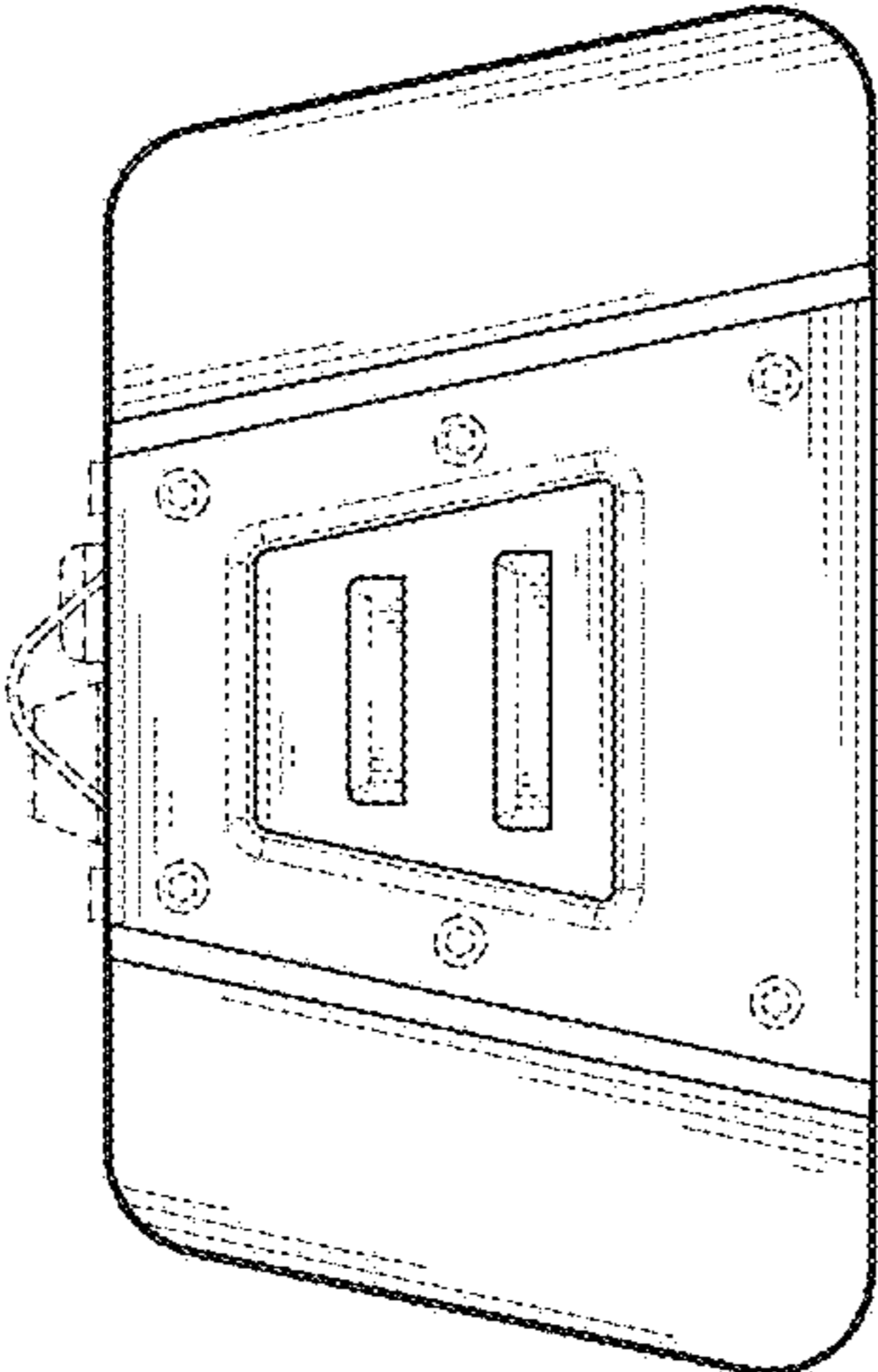


FIG. 6

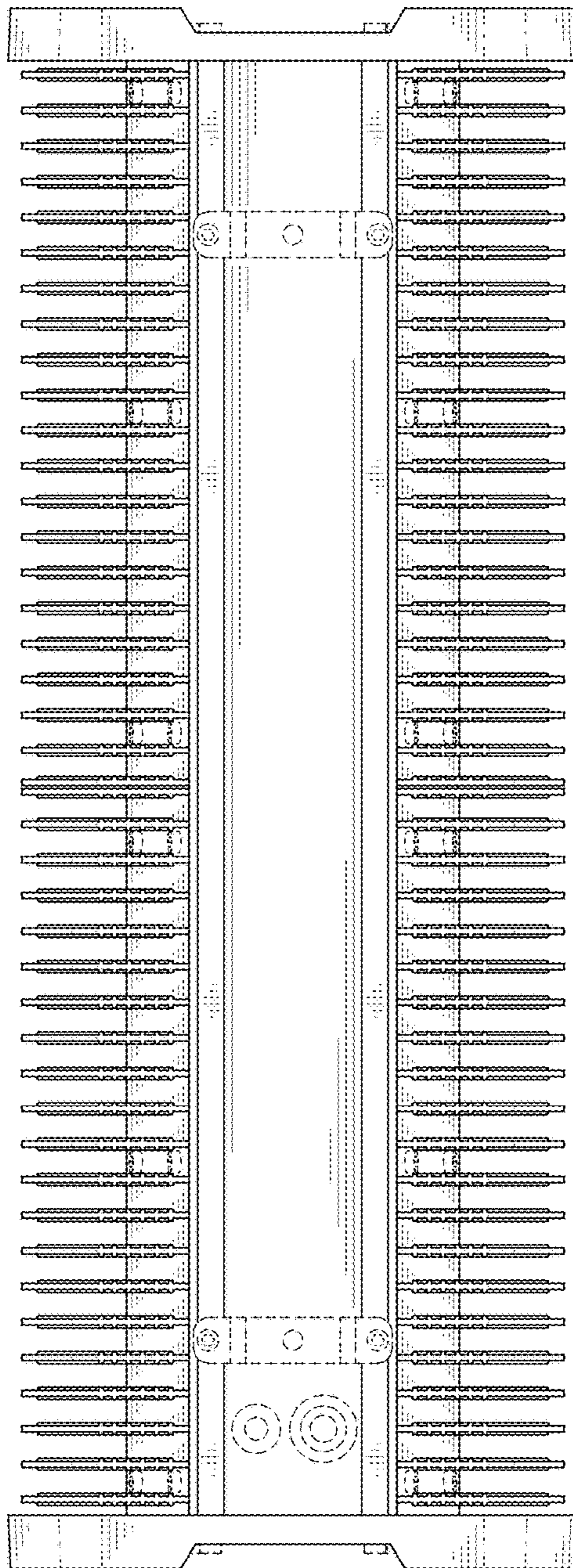


FIG. 7

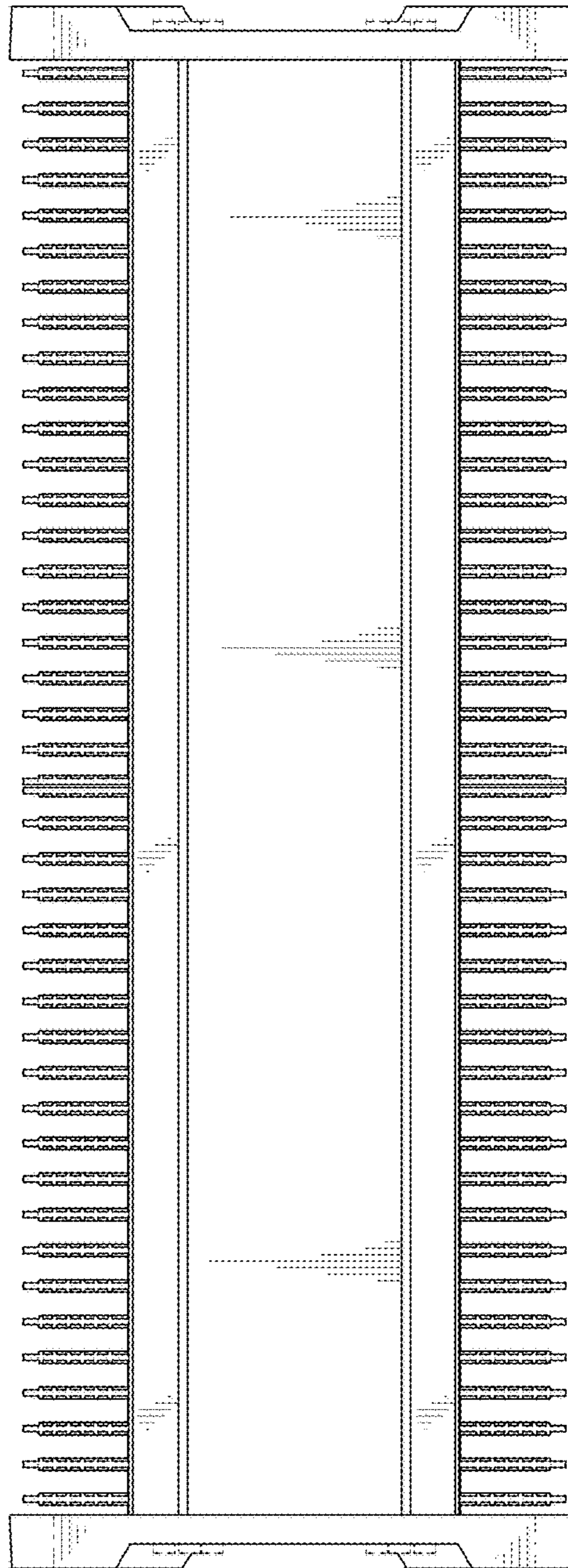


FIG. 8

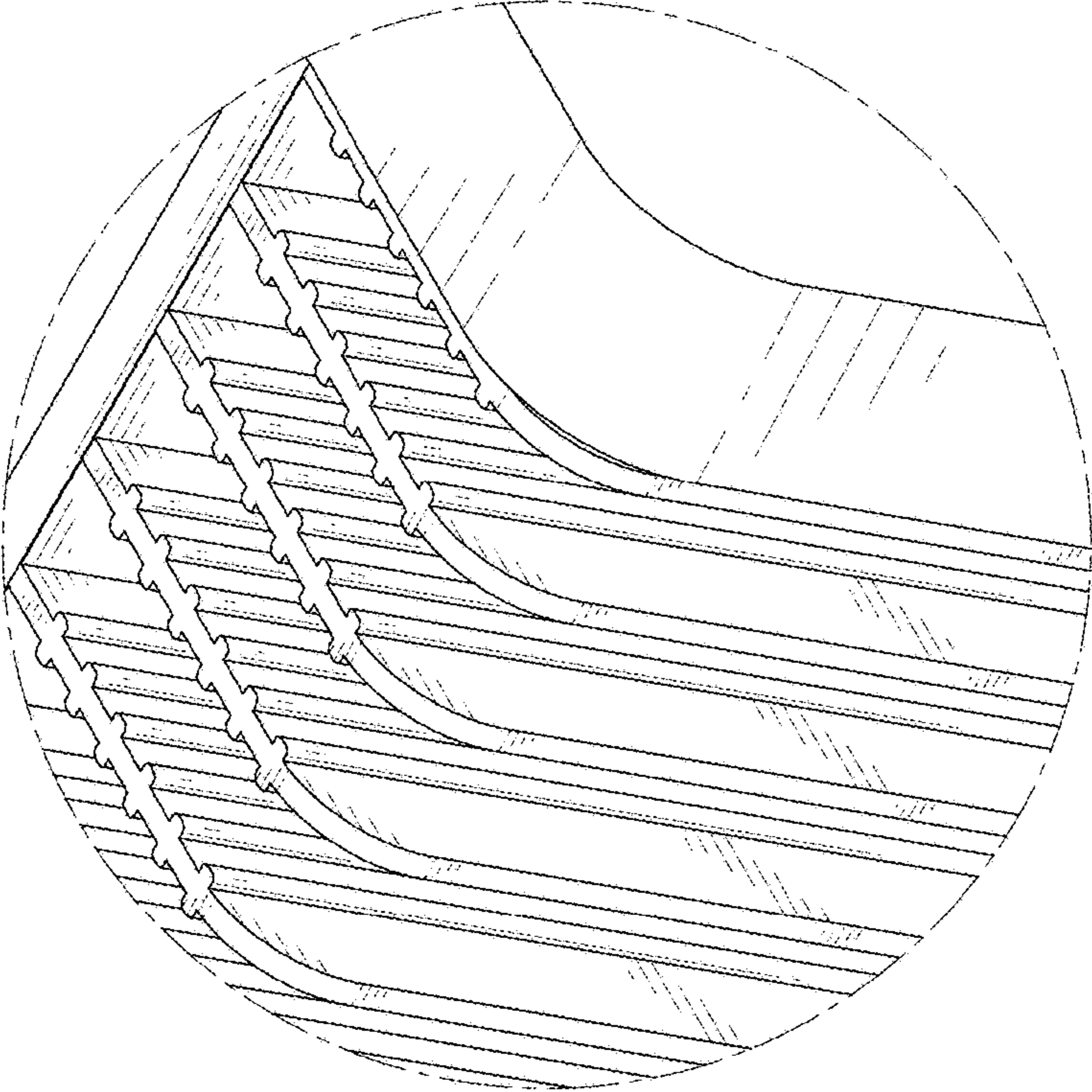


FIG. 9