



US00D861940S

(12) **United States Design Patent**
Kunzendorf

(10) **Patent No.:** **US D861,940 S**

(45) **Date of Patent:** **** Oct. 1, 2019**

(54) **HEADLAMP**

(71) Applicant: **LED Lenser Corp. Ltd., Yangjiang (CN)**

(72) Inventor: **Andre Kunzendorf, Wuppertal (DE)**

(73) Assignee: **LED LENSER CORP. LTD., Yangjiang (CN)**

(**) Term: **15 Years**

(21) Appl. No.: **29/569,266**

(22) Filed: **Jun. 24, 2016**

(51) **LOC (12) Cl.** **26-02**

(52) **U.S. Cl.**
USPC **D26/39**

(58) **Field of Classification Search**
USPC D26/37-51
CPC F21L 2003/00; F21L 4/00; F21L 4/005;
F21L 4/02; F21L 4/025; F21L 4/027;
F21L 4/04; F21L 4/08; F21L 2005/00;
F21L 7/00; F21L 11/00; F21L 13/00;
F21L 13/04; F21L 13/08; F21L 14/02;
F21L 17/00; F21L 19/00
See application file for complete search history.

(56) **References Cited**

U.S. PATENT DOCUMENTS

D353,012 S *	11/1994	Mihavetz	D26/39
D508,140 S *	8/2005	Sharrah	D26/39
D542,450 S *	5/2007	Shiu	D26/39
D547,475 S *	7/2007	Xu	D26/39
D549,372 S *	8/2007	Lee	D26/39
D557,842 S *	12/2007	Lee	D26/39

D560,298 S *	1/2008	Spartano	D26/39
D605,319 S *	12/2009	Devaney	D26/39
D612,524 S *	3/2010	Booher	D26/39
D625,863 S *	10/2010	Kingston	D26/39
D674,944 S *	1/2013	Bertken	D26/39
D707,868 S *	6/2014	Lee	D26/39
D715,982 S *	10/2014	Windom	D26/39
D723,201 S *	2/2015	Windom	D26/39
D723,202 S *	2/2015	Windom	D26/39
D724,248 S *	3/2015	Brands	D26/39
D743,598 S *	11/2015	Inskeep	D26/39
D750,823 S *	3/2016	Sharrah	D26/39
D756,552 S *	5/2016	Kunzendorf	D26/39
D796,098 S *	8/2017	Grandadam	D26/39

* cited by examiner

Primary Examiner — Lakiya G Rogers

Assistant Examiner — Carissa C Fitts

(74) *Attorney, Agent, or Firm* — Alston & Bird LLP

(57) **CLAIM**

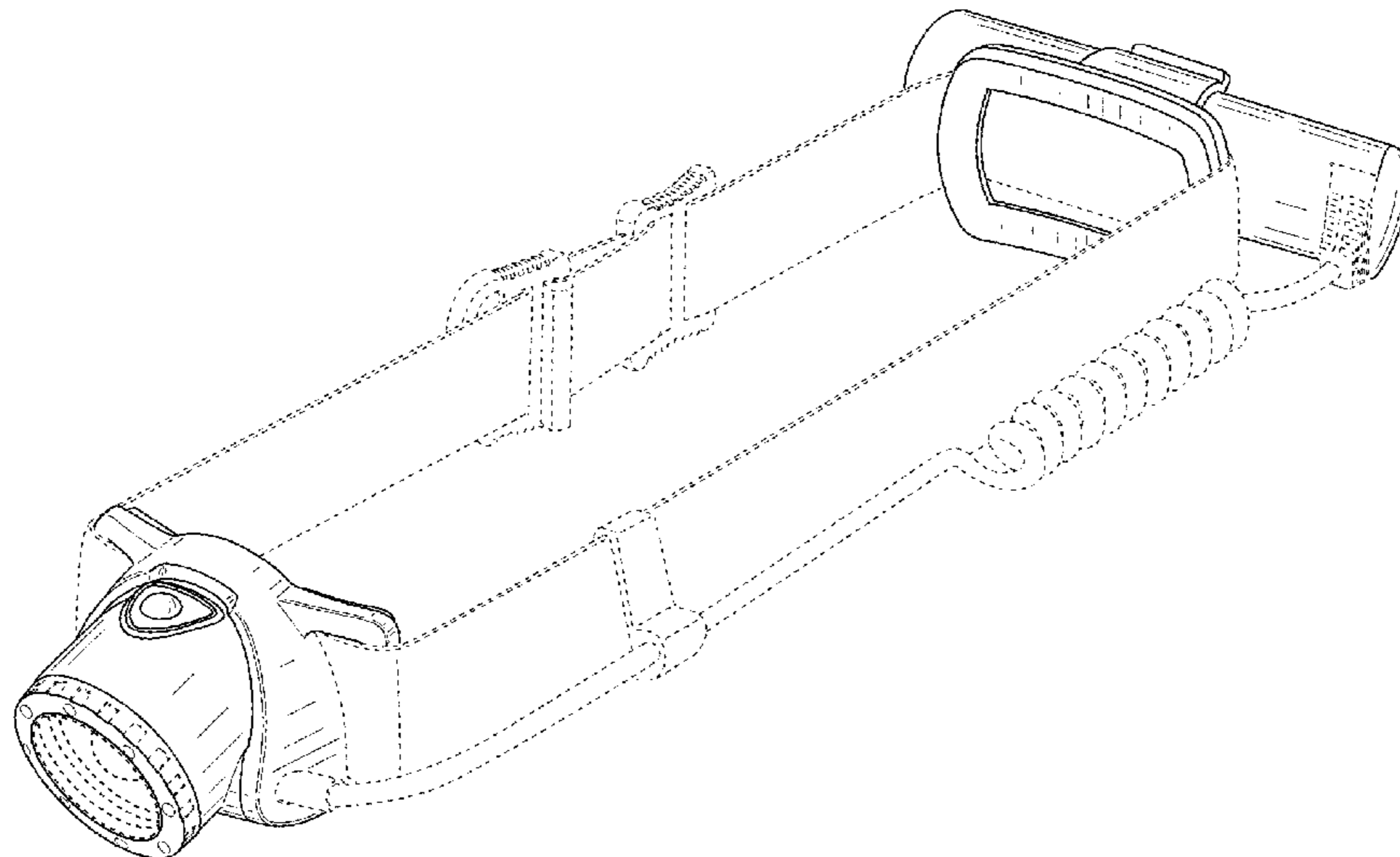
The ornamental design for a headlamp, as shown and described.

DESCRIPTION

FIG. 1 is a perspective view of a headlamp according to my new design;
FIG. 2 is a top elevation view thereof;
FIG. 3 is a bottom plan view thereof;
FIG. 4 is a left side elevation view thereof;
FIG. 5 is a right side elevation view thereof;
FIG. 6 is a front elevation view thereof; and,
FIG. 7 is a back elevation view thereof.

The dash-dash broken lines showing in the views illustrate portions of the headlamp that form no part of the claimed design.

1 Claim, 6 Drawing Sheets



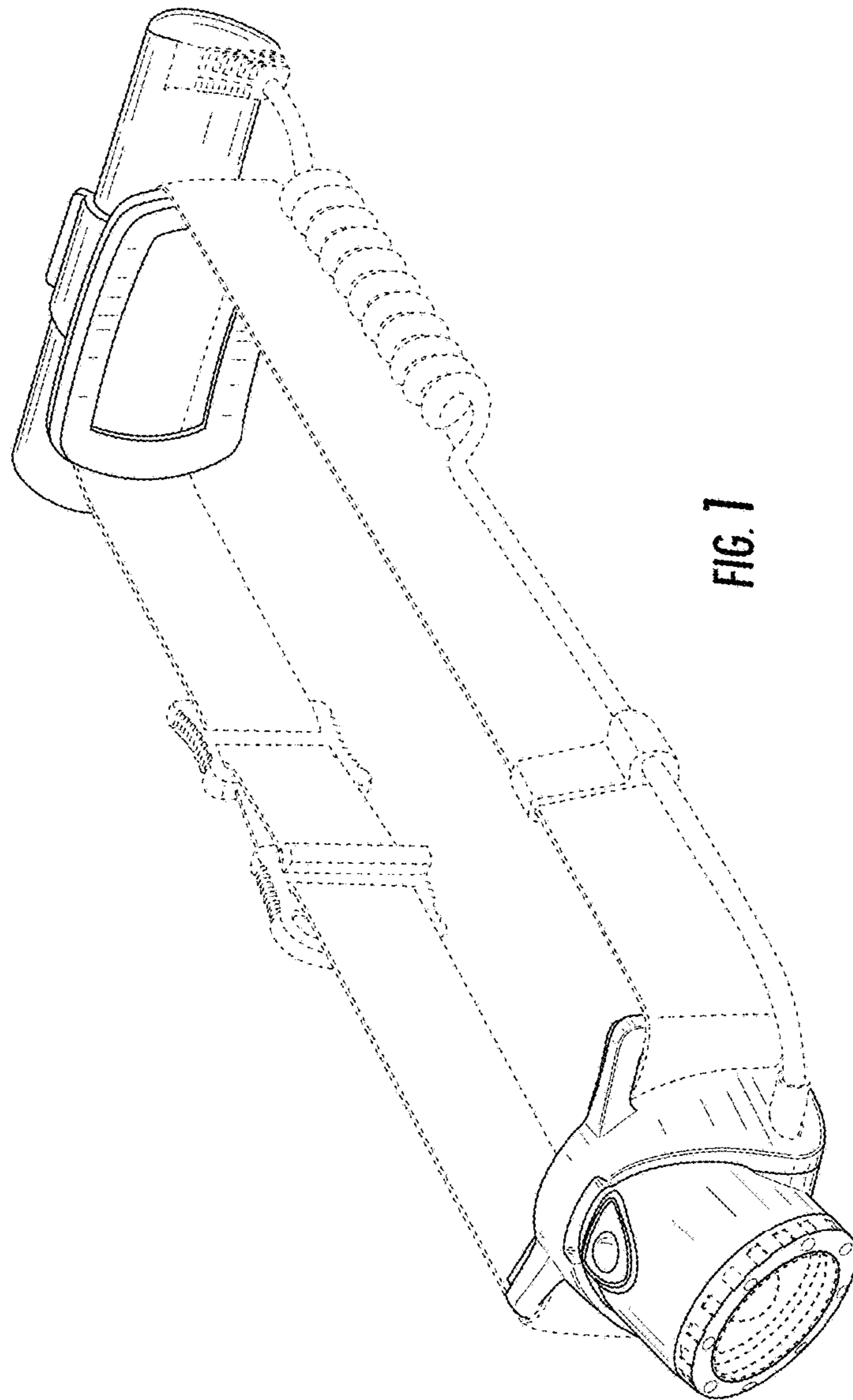


FIG. 1

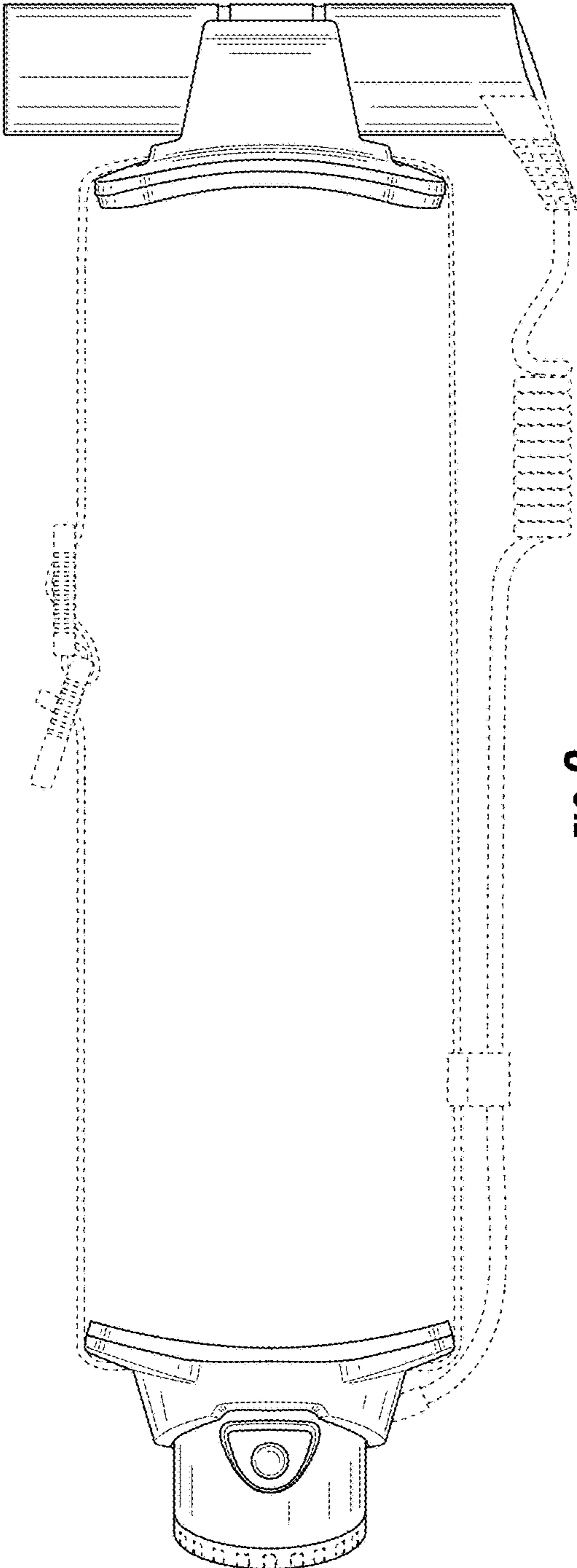


FIG. 2

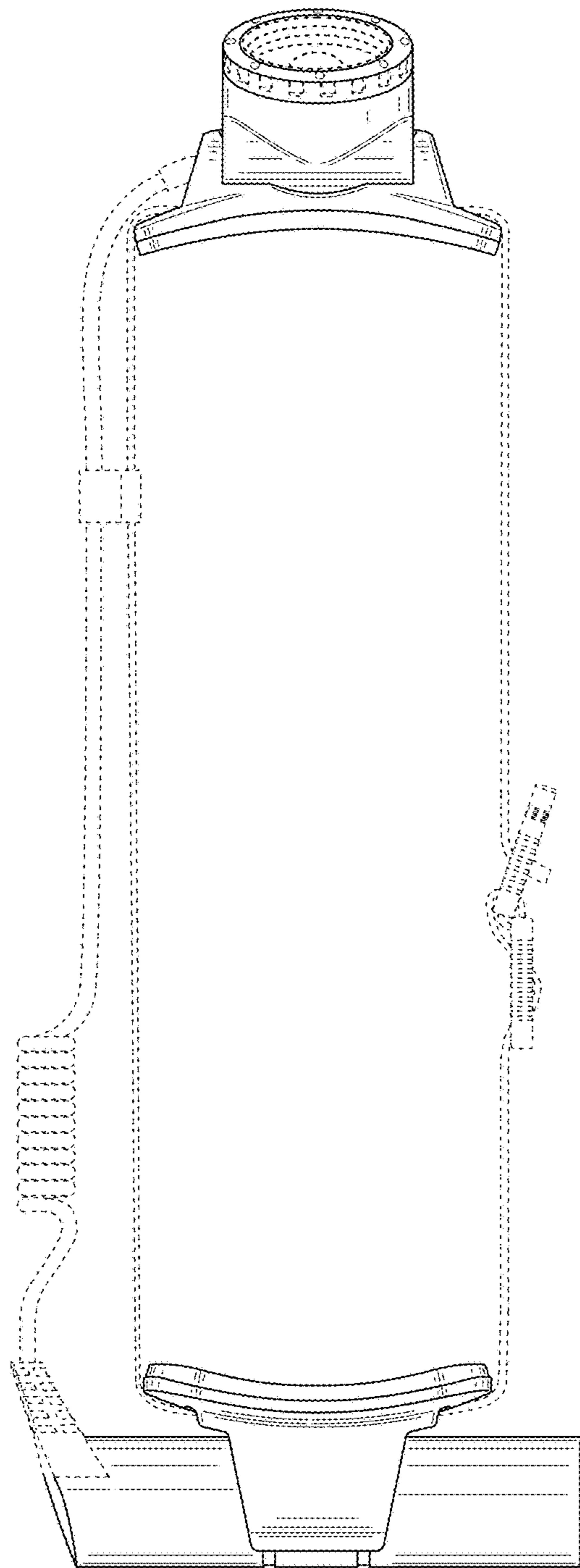


FIG. 3

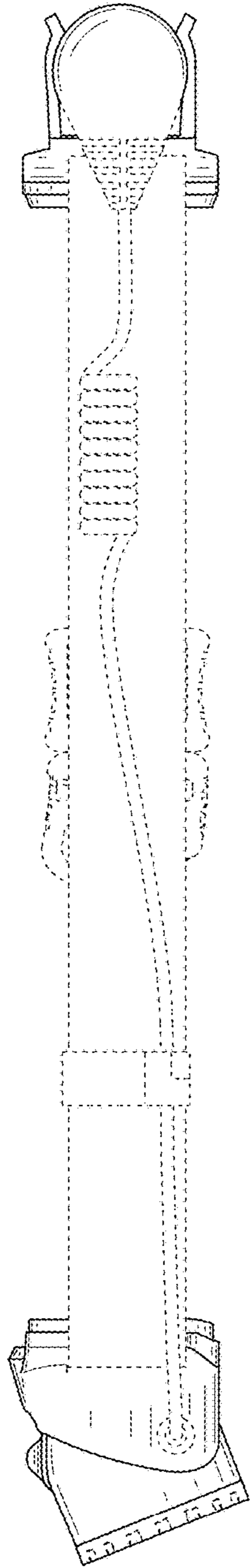


FIG. 4

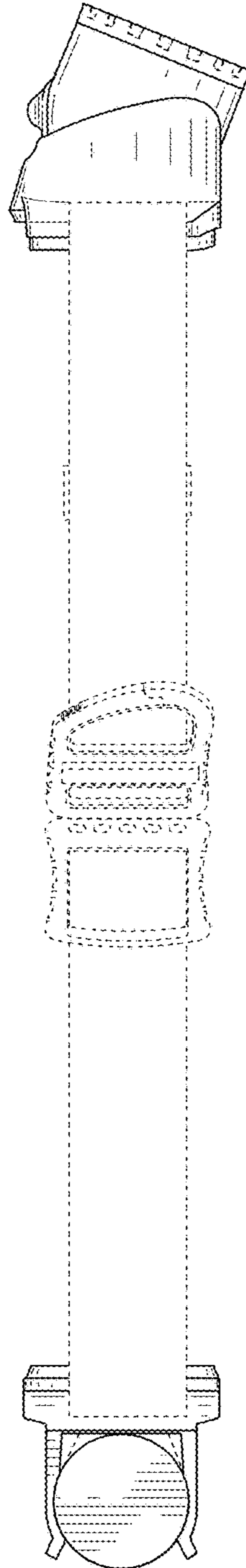


FIG. 5

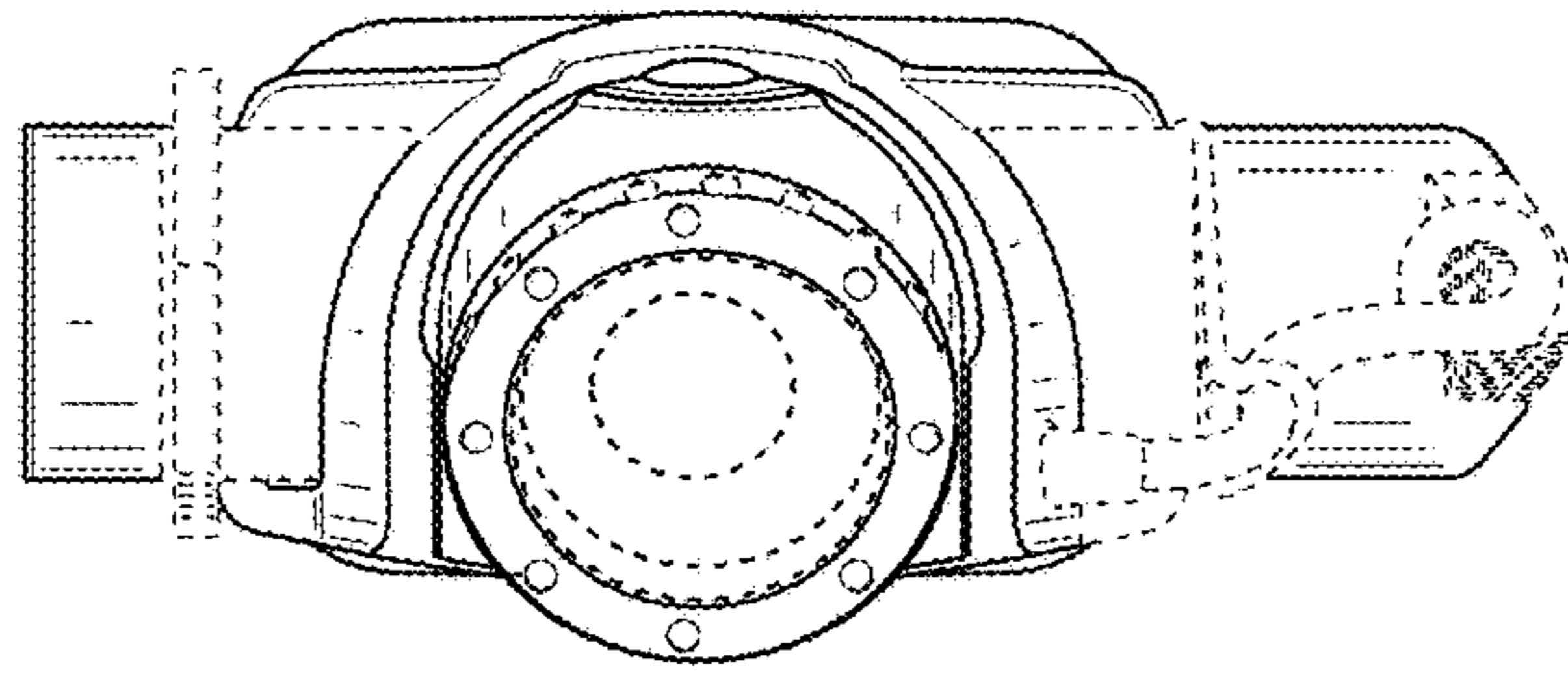


FIG. 6

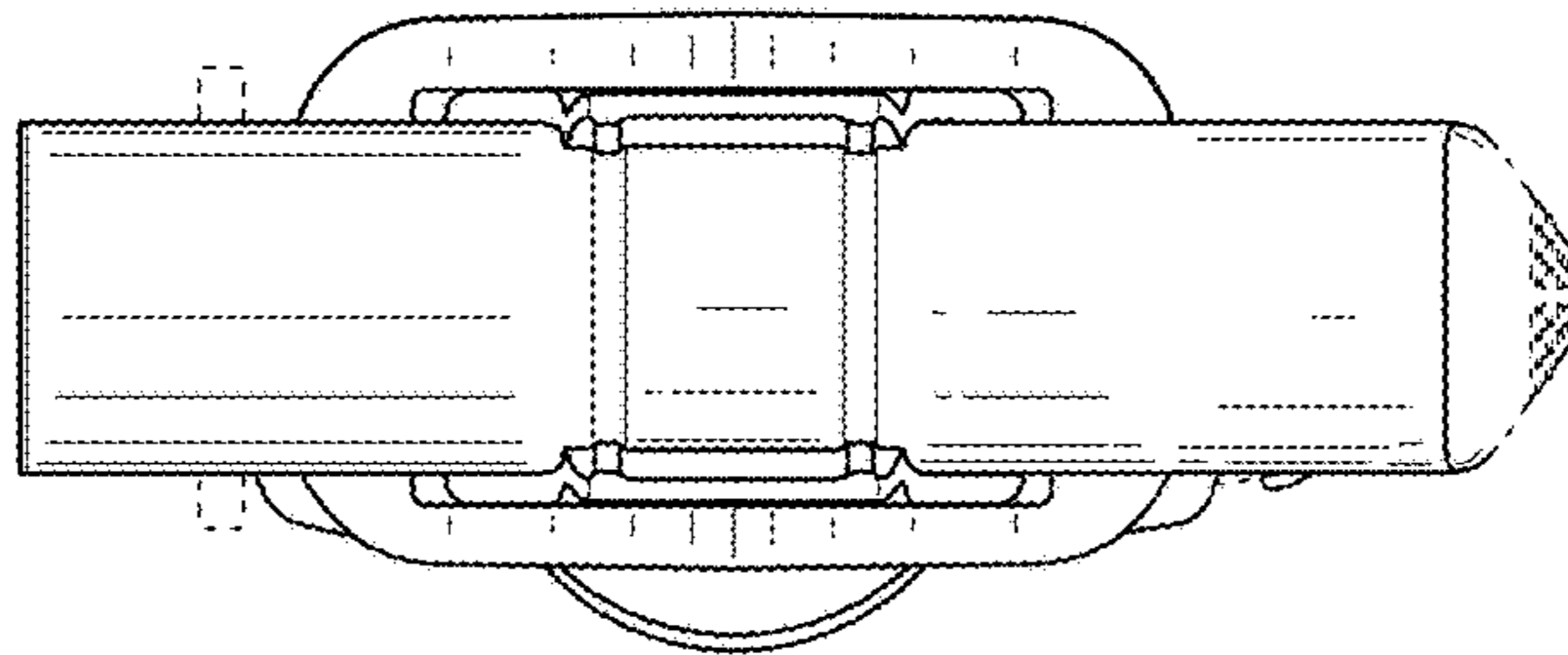


FIG. 7