



US00D861938S

(12) **United States Design Patent** (10) **Patent No.:** **US D861,938 S**
Liu et al. (45) **Date of Patent:** **** Oct. 1, 2019**

(54) **RECHARGEABLE KEYCHAIN LIGHT**

(71) Applicant: **XENO Company Shangluo Limited**,
Shangluo, Shaanxi (CN)

(72) Inventors: **Jun Liu**, Shaanxi (CN); **Guangtao Chen**, Shaanxi (CN); **Zhenzhen Han**, Shaanxi (CN)

(73) Assignee: **XENO Company Shangluo Limited**,
Shangluo (CN)

(**) Term: **15 Years**

(21) Appl. No.: **29/623,211**

(22) Filed: **Oct. 24, 2017**

(51) **LOC (12) Cl.** **26-02**

(52) **U.S. Cl.**
USPC **D26/38**; D3/208

(58) **Field of Classification Search**
USPC D26/37-51; D3/208
CPC F21L 2003/00; F21L 4/00; F21L 4/005;
F21L 4/02; F21L 4/025; F21L 4/027;
F21L 4/04; F21L 4/08; F21L 2005/00;
F21L 7/00; F21L 11/00; F21L 13/00;
F21L 13/04; F21L 13/08; F21L 14/02;
F21L 17/00; F21L 19/00; F21L 25/00
See application file for complete search history.

(56) **References Cited**

U.S. PATENT DOCUMENTS

- D380,896 S * 7/1997 Grant D3/208
- D388,602 S * 1/1998 Petruzzi D3/208
- D431,341 S * 9/2000 DiPaolo D3/208
- D440,037 S * 4/2001 Bharaj 24/3.6
- D442,363 S * 5/2001 Magid D3/208
- D450,446 S * 11/2001 Morrone D10/104.1
- D455,854 S * 4/2002 Smith D26/37
- D456,986 S * 5/2002 Truisi D3/208
- D463,104 S * 9/2002 Ames D3/207

- D497,019 S * 10/2004 Lee D26/37
- D505,739 S * 5/2005 Hajianpour D26/37
- D510,185 S * 10/2005 Chan D3/208
- D521,231 S * 5/2006 Ng D3/208
- D535,416 S * 1/2007 O'Dell D26/37
- D541,041 S * 4/2007 Rich D3/208
- D542,453 S * 5/2007 Osiecki D26/37
- D544,388 S * 6/2007 Chisholm D10/114.2
- D574,527 S * 8/2008 Squires D26/37
- D605,321 S * 12/2009 Schupp D26/40
- D609,457 S * 2/2010 Blanford D3/208
- D618,906 S * 7/2010 Covington D19/67
- D622,429 S * 8/2010 Jones D26/37
- D639,465 S * 6/2011 Abernethy D26/24
- D651,731 S * 1/2012 Xu D26/37
- D734,518 S * 7/2015 Zimmermann D26/39
- D755,506 S * 5/2016 Neely, III D3/208
- D759,867 S * 6/2016 Grandadam D26/37
- D794,556 S * 8/2017 Liao D13/107

* cited by examiner

Primary Examiner — Lakiya G Rogers

Assistant Examiner — Carissa C Fitts

(57) **CLAIM**

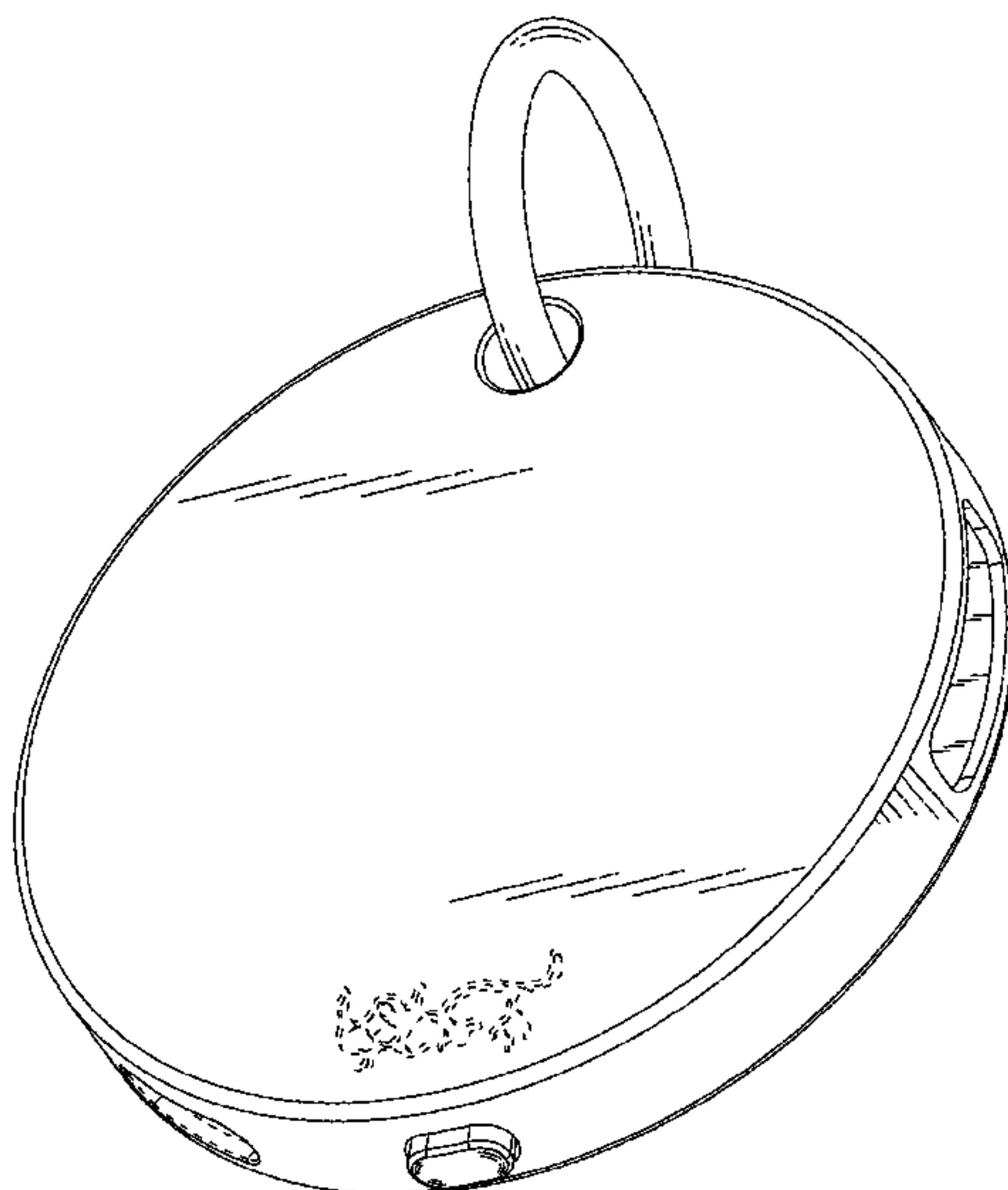
The ornamental design for a rechargeable keychain light, as shown and described.

DESCRIPTION

FIG. 1 is a front elevational view of a rechargeable keychain light showing our new design;
FIG. 2 is a rear elevational view thereof;
FIG. 3 is a left side view thereof;
FIG. 4 is a right side view thereof;
FIG. 5 is a top plan view thereof;
FIG. 6 is a bottom plan view thereof;
FIG. 7 is a first perspective view thereof; and,
FIG. 8 is a second perspective view thereof.

The broken lines in the drawings illustrate portions of the rechargeable keychain light which form no part of the claimed design. The diagonal lines indicate transparency.

1 Claim, 8 Drawing Sheets



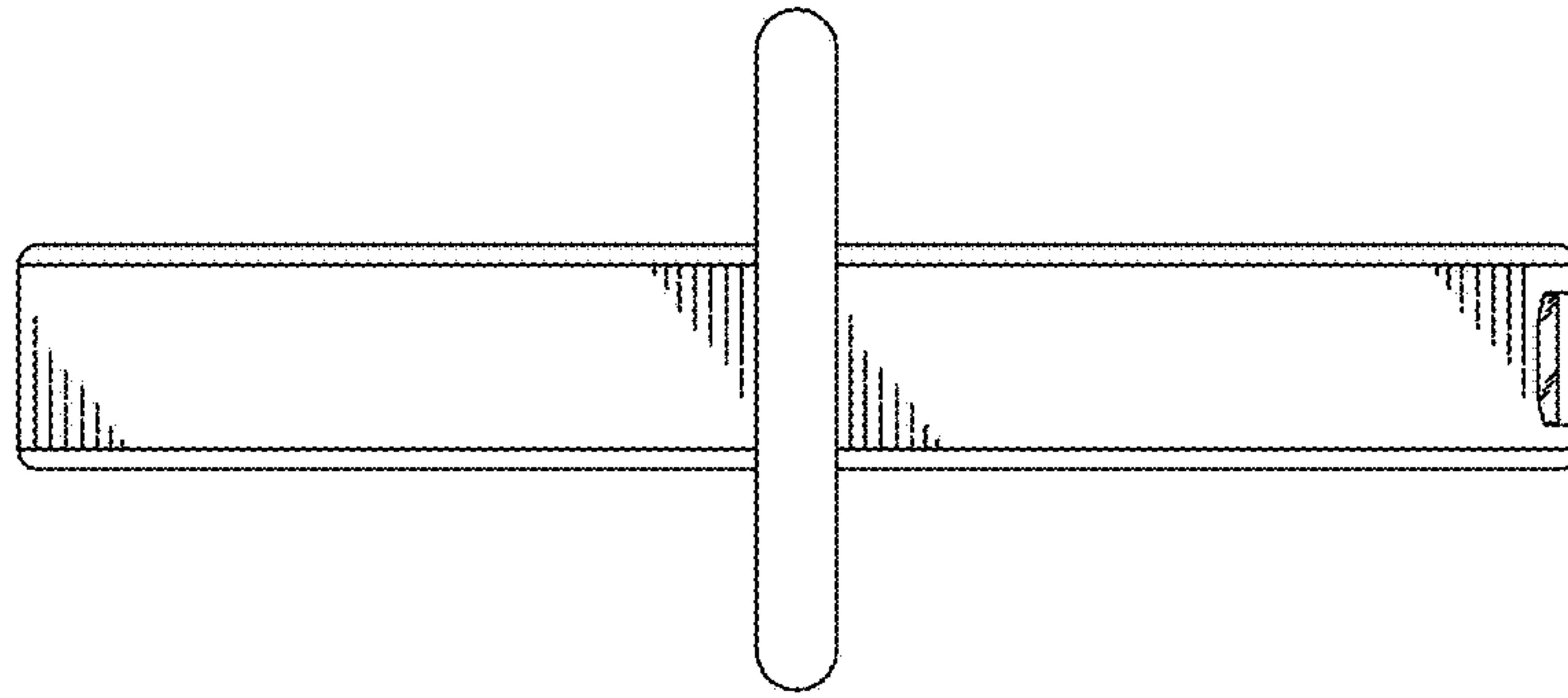


Fig. 1

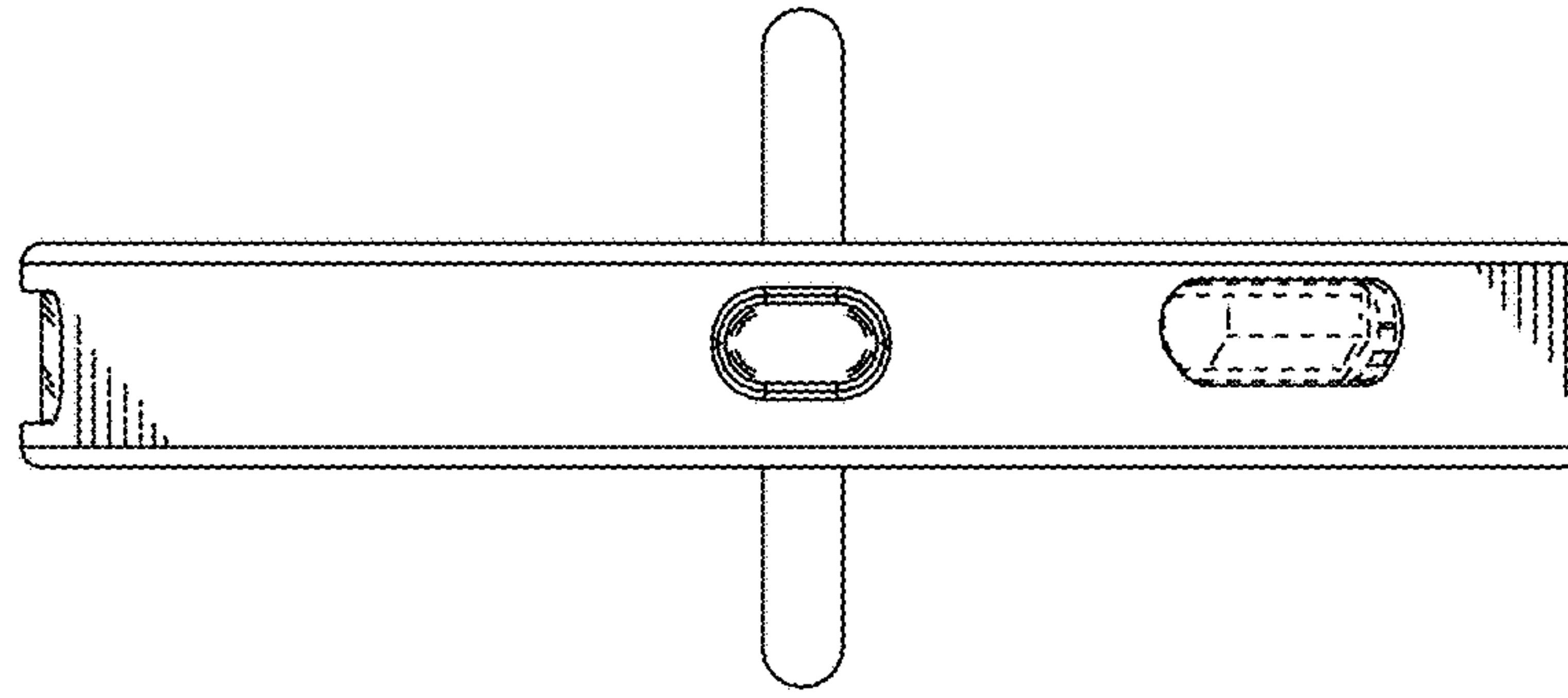


Fig. 2

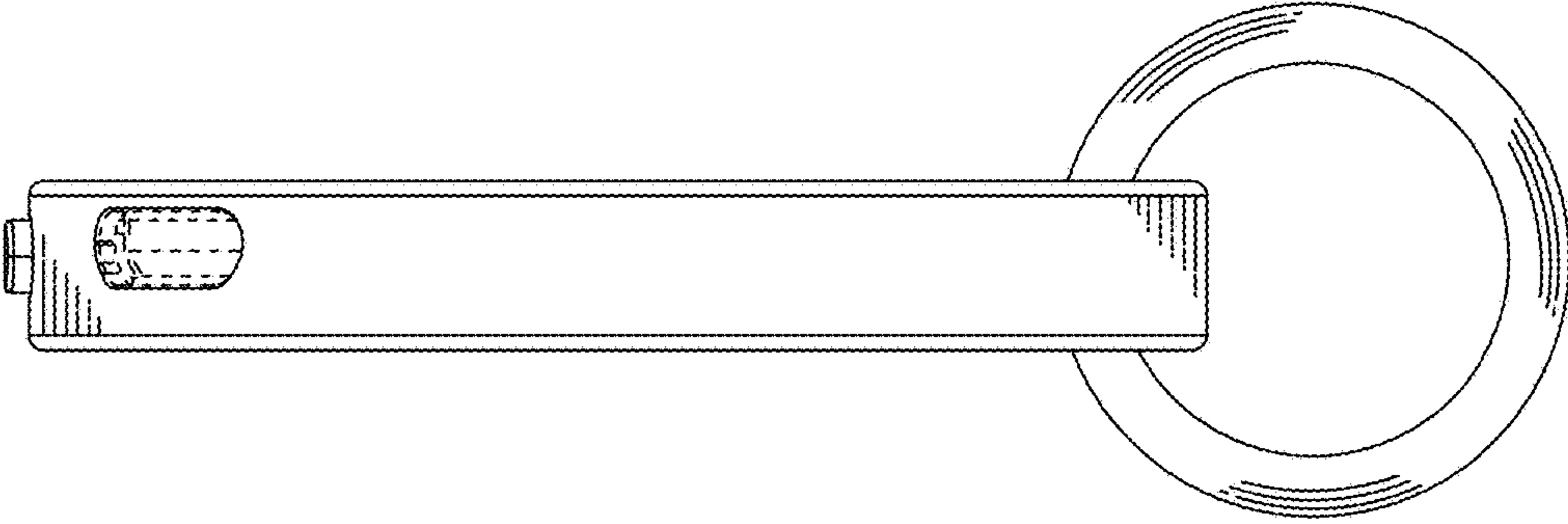


Fig.3

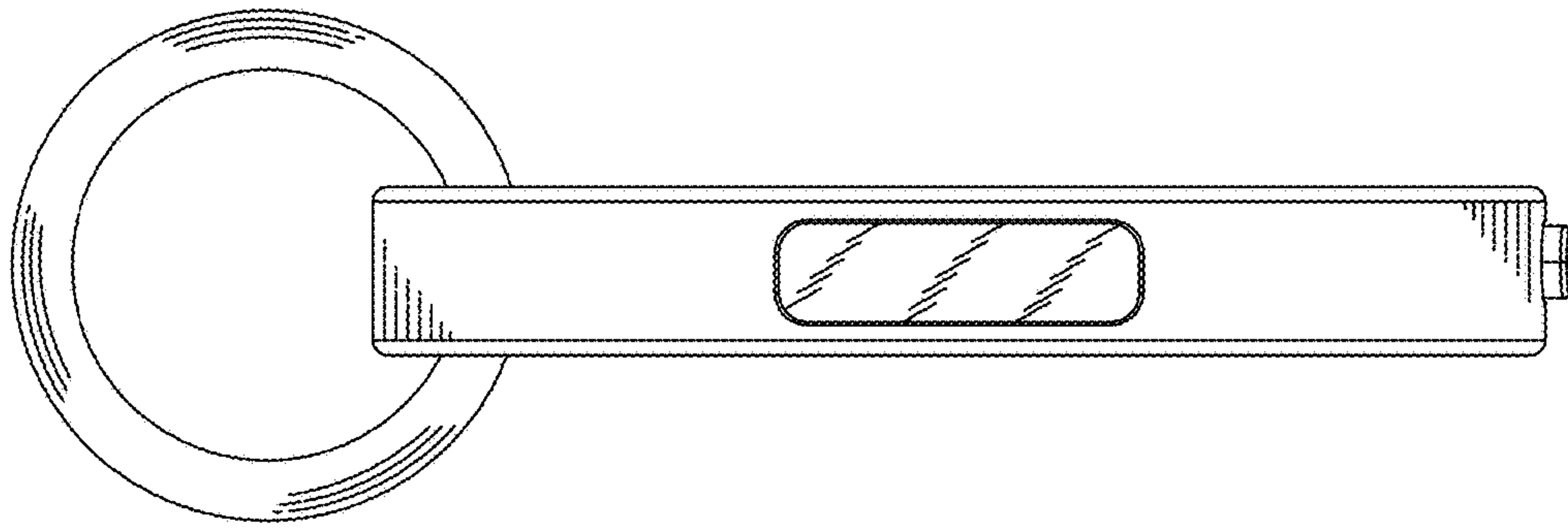


Fig. 4

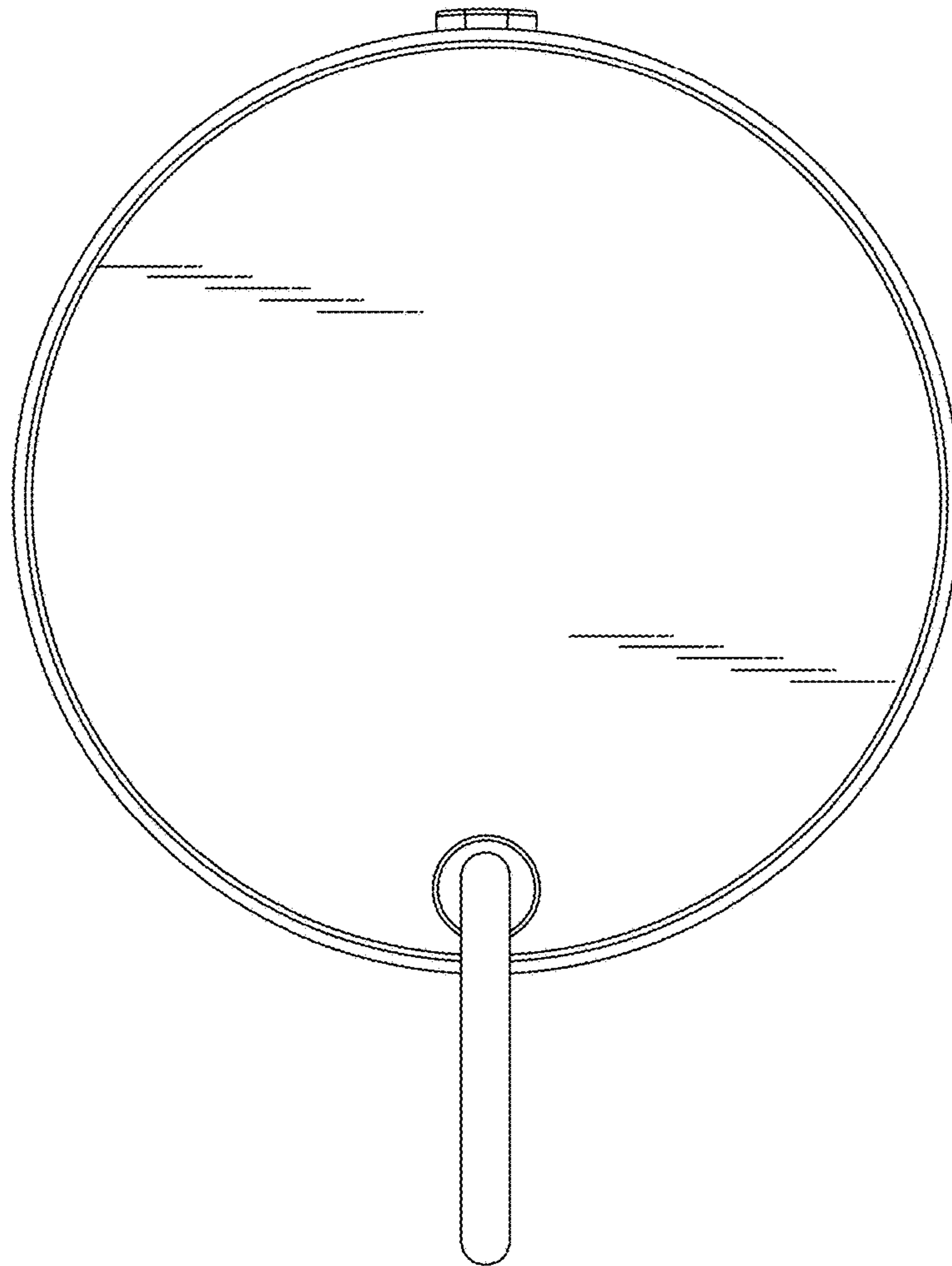


Fig.5

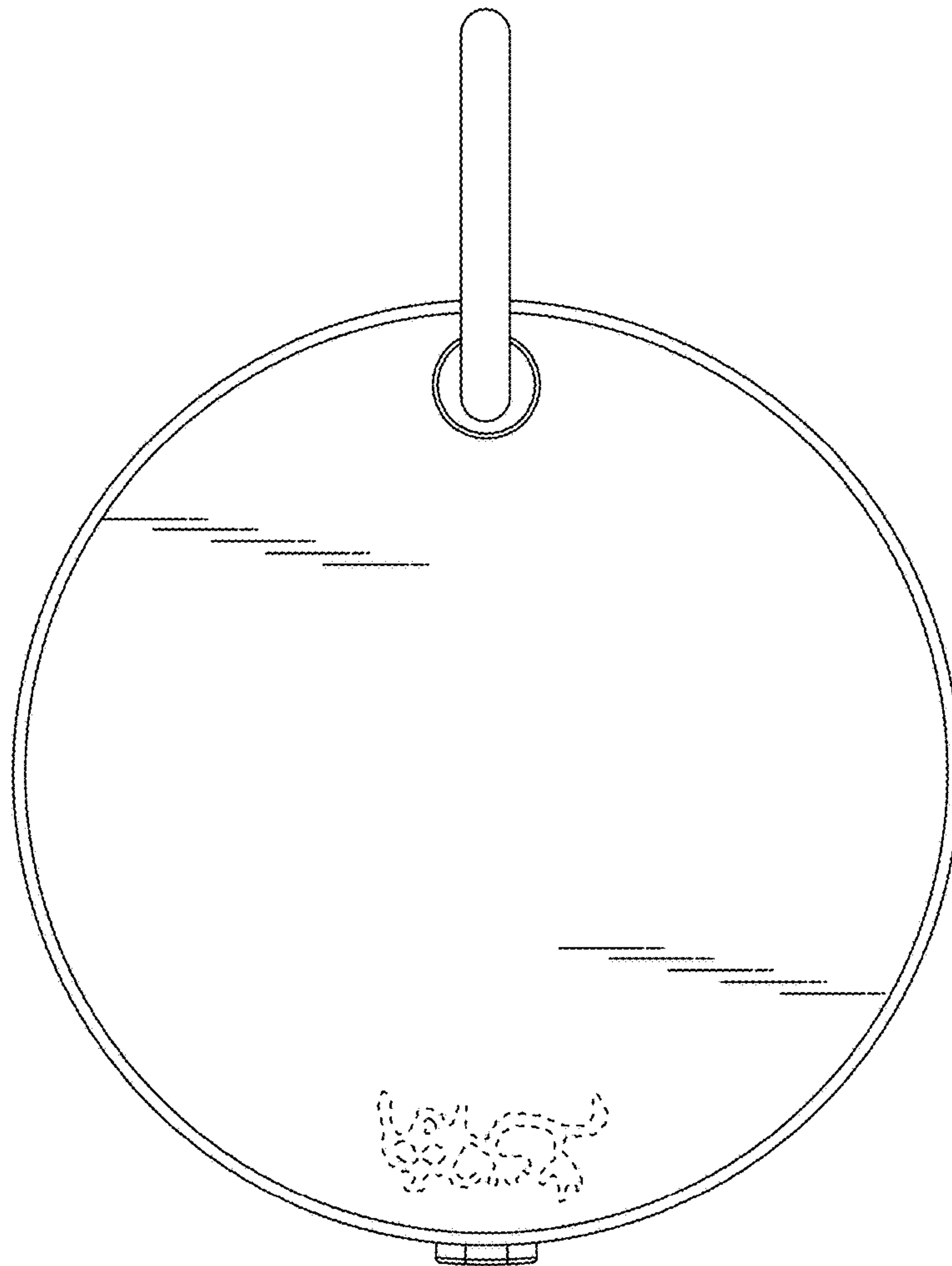


Fig. 6

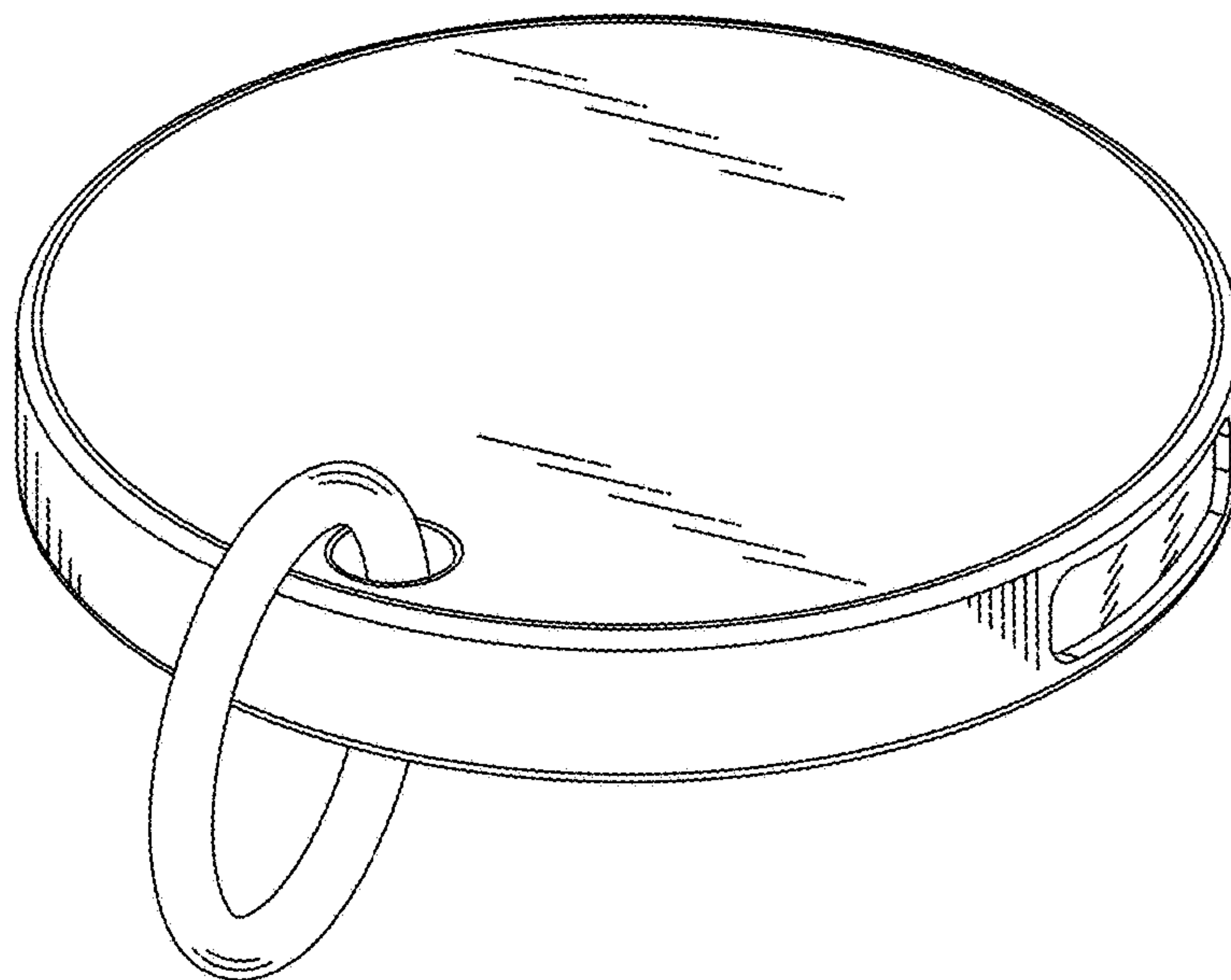


Fig. 7

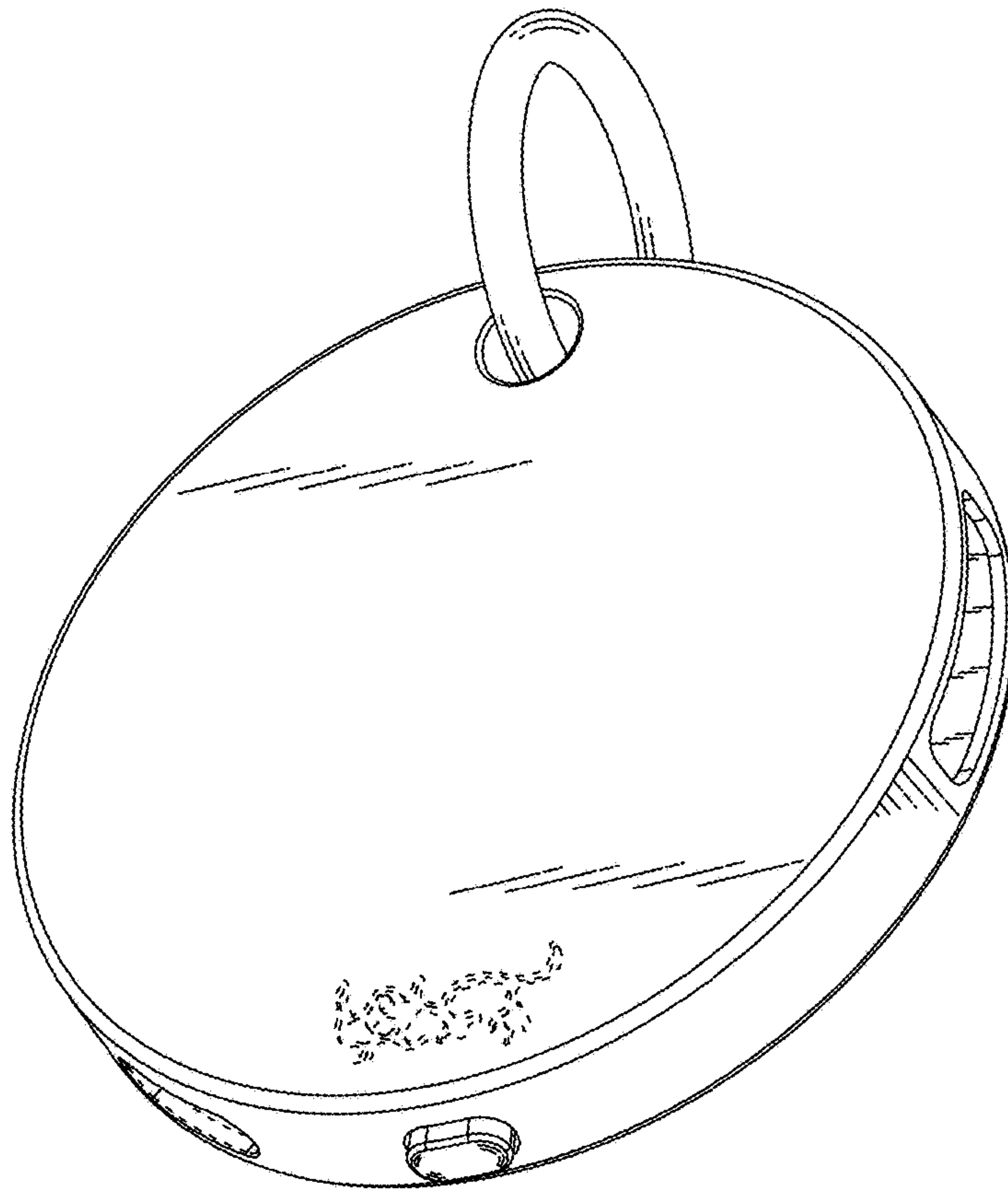


Fig. 8