

US00D861937S

(12) **United States Design Patent** (10) **Patent No.:** **US D861,937 S**  
**Hu** (45) **Date of Patent:** **\*\* Oct. 1, 2019**

(54) **HANDHELD LAMP**  
(71) Applicant: **You Jun Hu**, Guangdong (CN)  
(72) Inventor: **You Jun Hu**, Guangdong (CN)  
(\*\*) Term: **15 Years**  
(21) Appl. No.: **29/586,770**  
(22) Filed: **Dec. 7, 2016**

(30) **Foreign Application Priority Data**  
Oct. 26, 2016 (CN) ..... 2016 3 0527348  
(51) **LOC (12) Cl.** ..... **26-02**  
(52) **U.S. Cl.**  
USPC ..... **D26/37**  
(58) **Field of Classification Search**  
USPC ..... D26/37-51  
CPC ..... F21L 2003/00; F21L 4/00; F21L 4/005;  
F21L 4/02; F21L 4/025; F21L 4/027;  
F21L 4/04; F21L 4/08; F21L 2005/00;  
F21L 7/00; F21L 11/00; F21L 13/00;  
F21L 13/04; F21L 13/08; F21L 14/02;  
F21L 17/00; F21L 19/00  
See application file for complete search history.

(56) **References Cited**  
U.S. PATENT DOCUMENTS  
D546,490 S \* 7/2007 Brown ..... D26/42  
D553,273 S \* 10/2007 Jim ..... D26/37

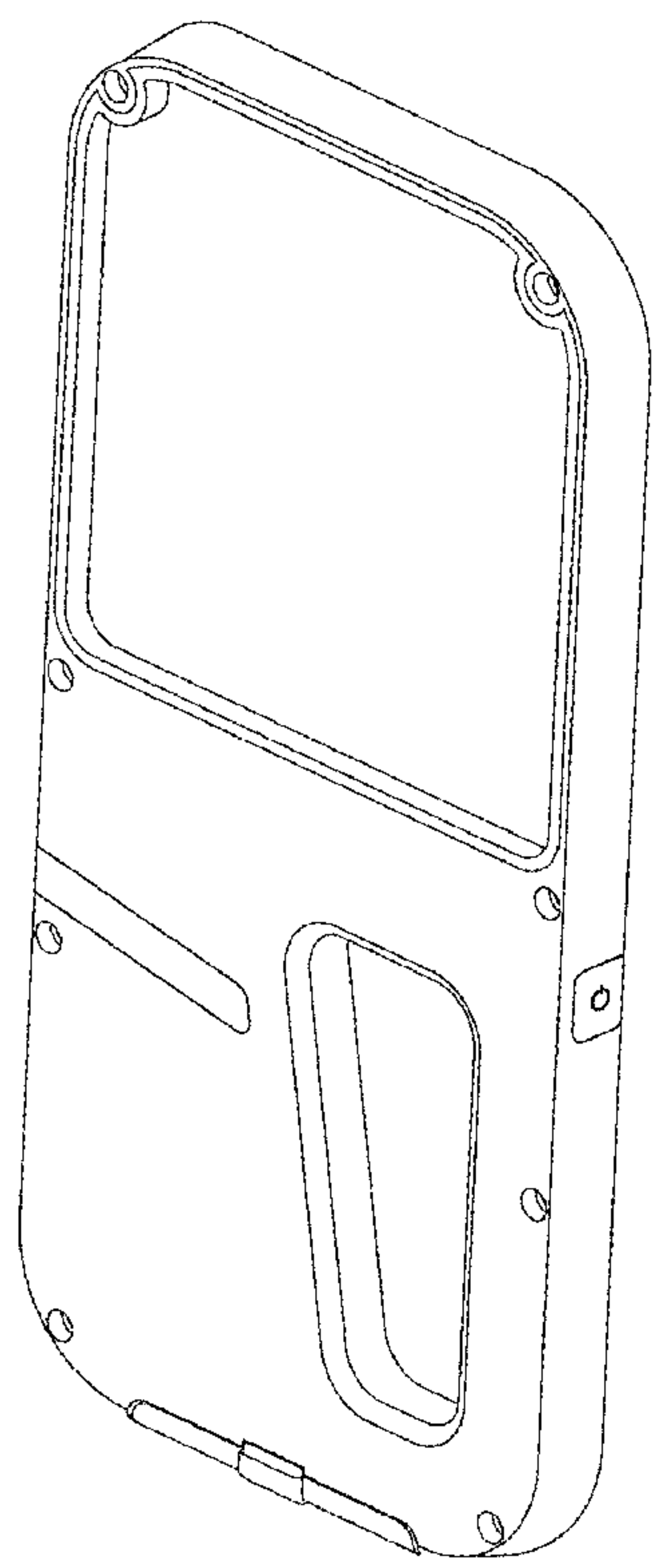
D595,119 S \* 6/2009 Kelleghan ..... D8/356  
D619,283 S \* 7/2010 Galli ..... D26/46  
D729,513 S \* 5/2015 Jiang ..... D3/207  
D741,928 S \* 10/2015 Huang ..... D16/135  
D750,822 S \* 3/2016 Hernandez ..... D26/38  
D752,124 S \* 3/2016 Jim ..... D16/135  
D760,913 S \* 7/2016 Douglas ..... D24/210  
D781,947 S \* 3/2017 Huang ..... D16/135  
2004/0207935 A1 \* 10/2004 Jim ..... G02B 25/02  
359/802  
2015/0167943 A1 \* 6/2015 Rugendyke ..... F21L 4/04  
362/294

\* cited by examiner  
*Primary Examiner* — Lakiya G Rogers  
*Assistant Examiner* — Carissa C Fitts

(57) **CLAIM**  
The ornamental design for a handheld lamp, as shown and described.

**DESCRIPTION**  
FIG. 1 is a Front and right side perspective view of a handheld lamp showing the new design;  
FIG. 2 is a front elevation view thereof;  
FIG. 3 is a rear elevation view thereof;  
FIG. 4 is a top plan view thereof;  
FIG. 5 is a bottom plan view thereof;  
FIG. 6 is a left side elevation thereof; and,  
FIG. 7 is a right side elevation view thereof.  
The broken lines show portions of the article not claimed and form no part of the claimed design.

**1 Claim, 7 Drawing Sheets**



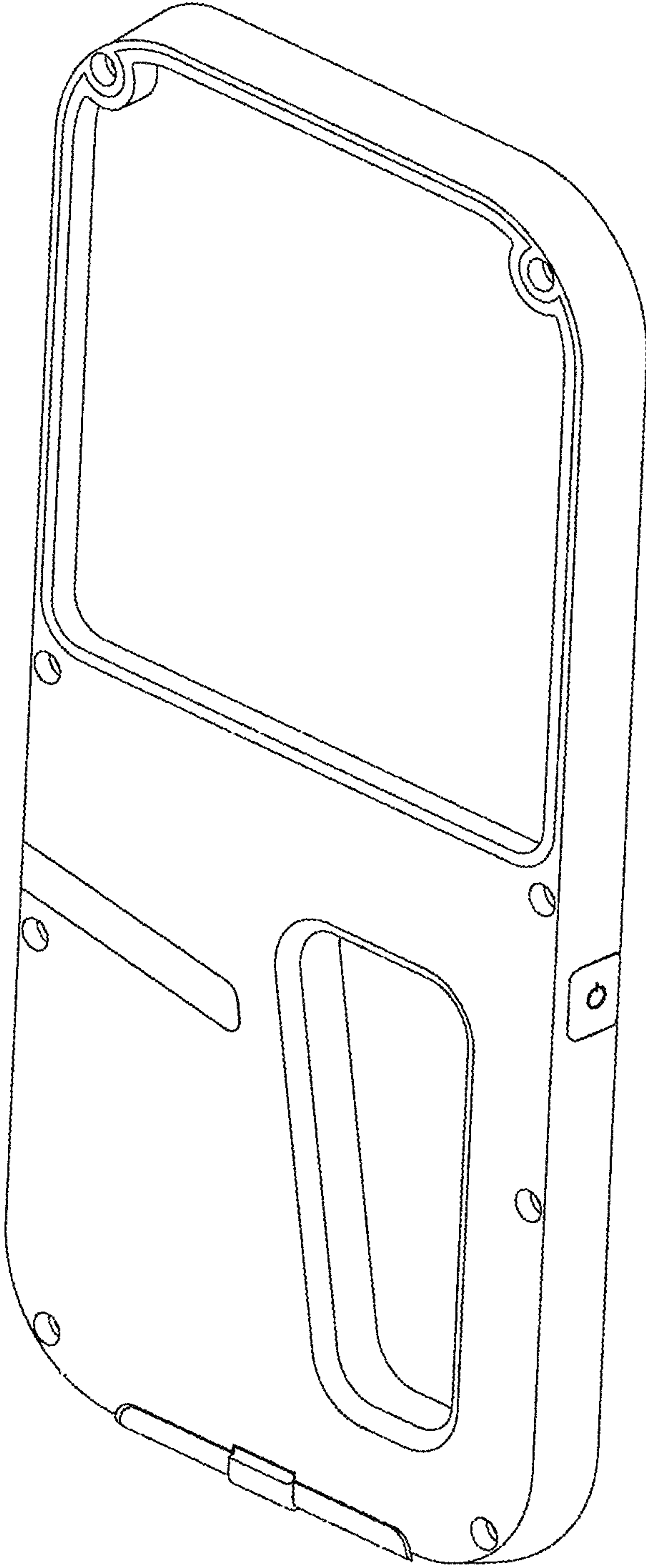


FIG. 1

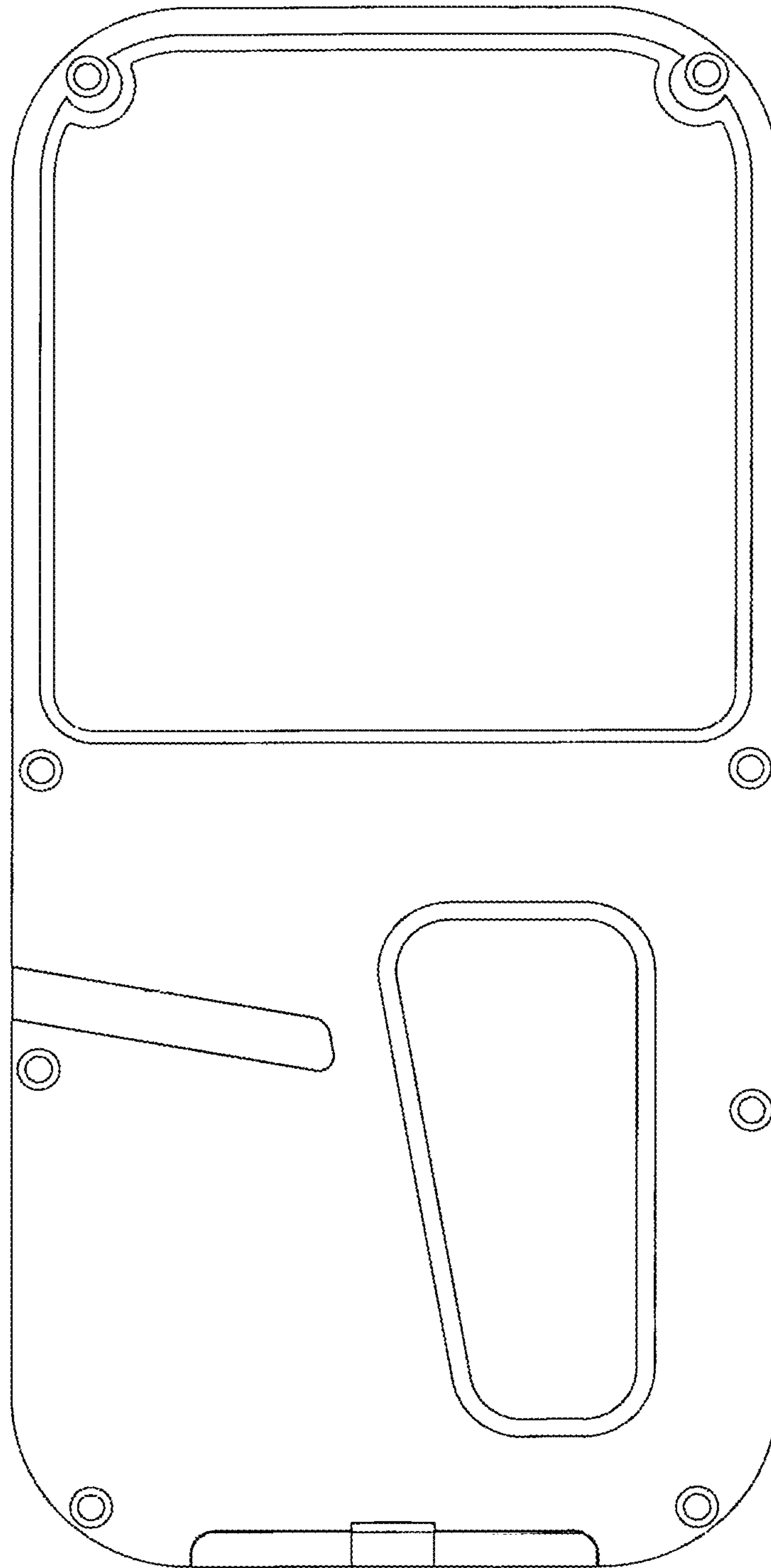


FIG. 2

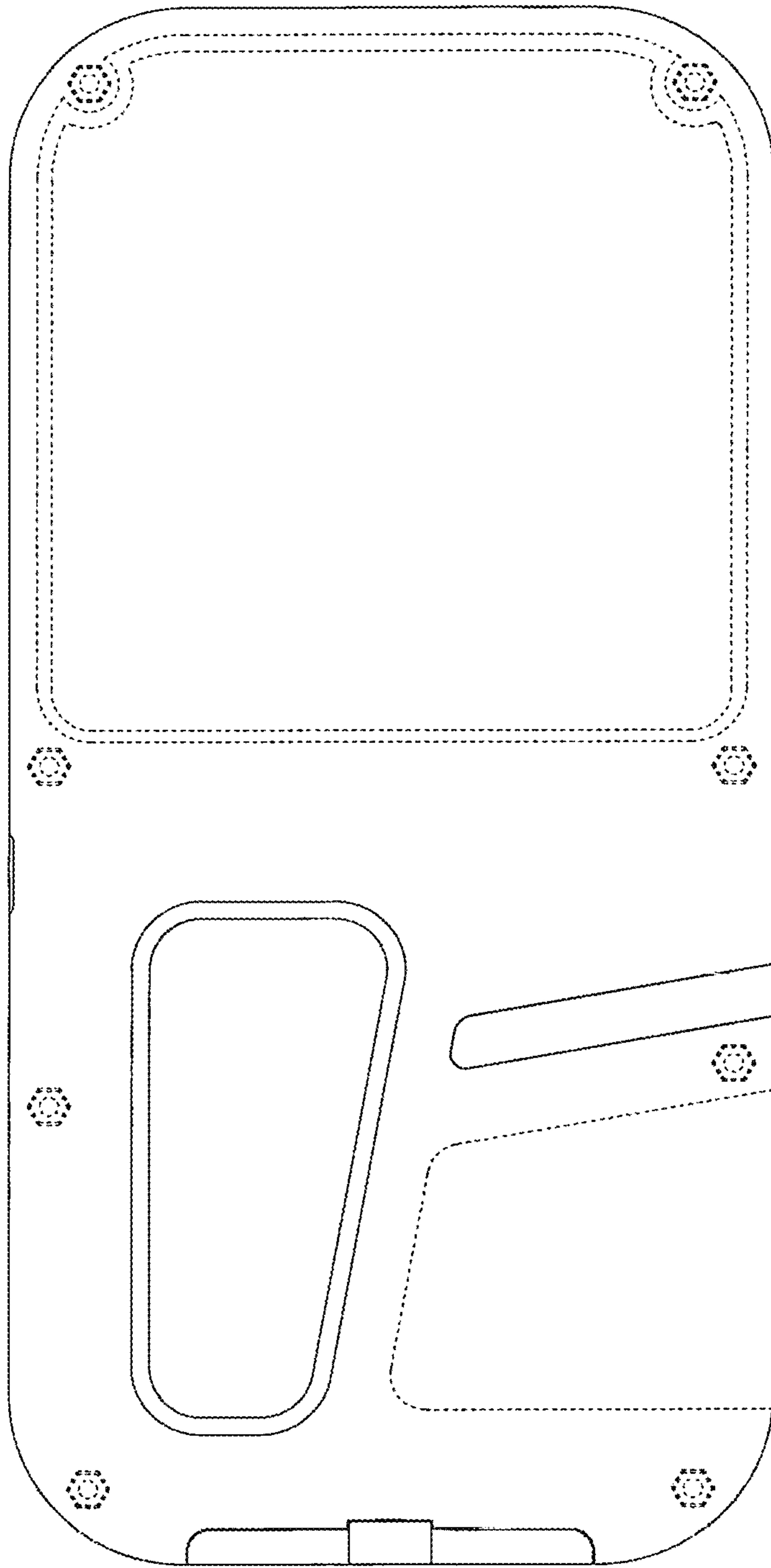


FIG. 3

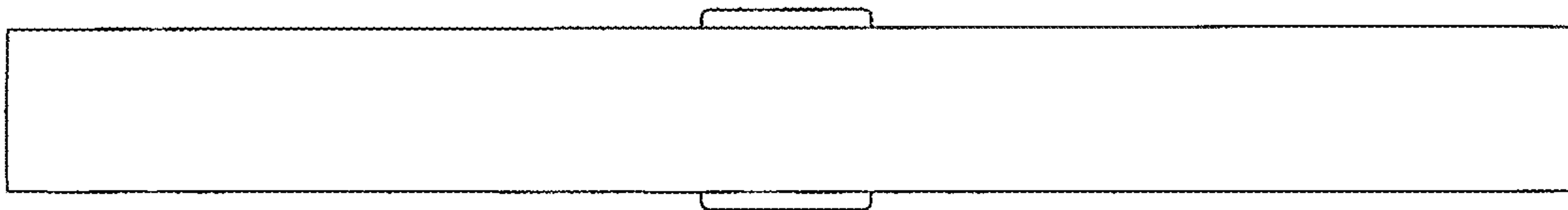


FIG. 4

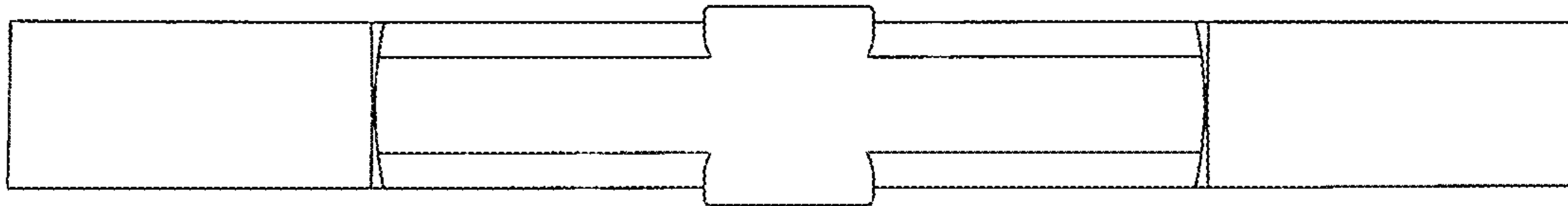


FIG. 5

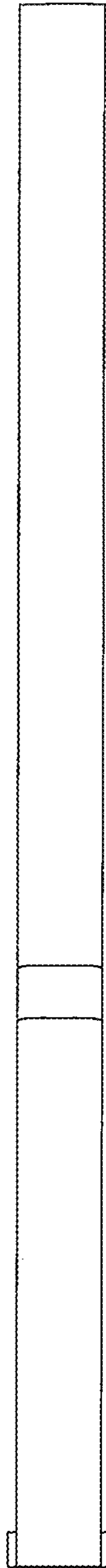


FIG. 6

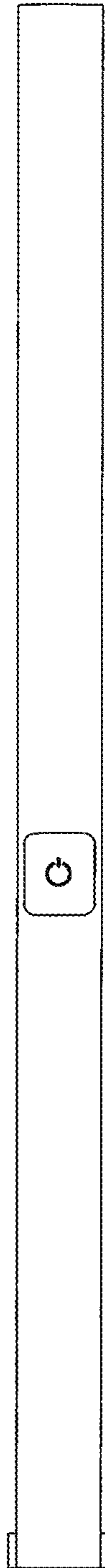


FIG. 7