



US00D861931S

(12) **United States Design Patent** (10) **Patent No.:** **US D861,931 S**  
**Carter** (45) **Date of Patent:** **\*\* Oct. 1, 2019**

(54) **TAIL LAMP**

(71) Applicant: **Jaguar Land Rover Limited**, Whitley, Coventry (GB)

(72) Inventor: **Richard Carter**, Coventry (GB)

(73) Assignee: **Jaguar Land Rover Limited**, Whitley, Coventry (GB)

(\*\*) Term: **15 Years**

(21) Appl. No.: **29/613,189**

(22) Filed: **Aug. 8, 2017**

**Related U.S. Application Data**

(62) Division of application No. 29/546,812, filed on Nov. 25, 2015, now Pat. No. Des. 797,325.

(30) **Foreign Application Priority Data**

Jun. 15, 2015 (EM) ..... 002719328

(51) **LOC (12) Cl.** ..... **26-06**

(52) **U.S. Cl.**  
USPC ..... **D26/28**

(58) **Field of Classification Search**  
USPC ..... D12/86, 90-92, 114, 163, 169, 171-173,  
D12/181, 190, 196, 197, 199, 400;  
D26/28-36

(Continued)

(56) **References Cited**

**U.S. PATENT DOCUMENTS**

D549,363 S \* 8/2007 Pfeiffer ..... D26/28  
D558,906 S \* 1/2008 Golden ..... D26/28

(Continued)

*Primary Examiner* — Philip S Hyder  
*Assistant Examiner* — Cary M Robinson

(74) *Attorney, Agent, or Firm* — Wood Herron & Evans LLP

(57) **CLAIM**

The ornamental design for a tail lamp, as shown and described.

**DESCRIPTION**

FIG. 1 is a front right perspective view of a tail lamp for a vehicle according to the present invention.

FIG. 2 is a rear left perspective view of the tail lamp shown in FIG. 1.

FIG. 3 is a front view thereof.

FIG. 4 is a rear view thereof.

FIG. 5 is a right side view thereof.

FIG. 6 is a left view thereof.

FIG. 7 is a top view thereof.

FIG. 8 is a front right perspective view of the tail lamp shown in FIG. 1, with the tail lamp shown mounted on a vehicle that is depicted in de-emphasized and halftone portions. These de-emphasized portions form no part of the claimed invention. More particularly, in FIG. 8, the tail lamp of the present invention is shown within the broken lines, and any elements shown outside of the broken lines form no part of the claimed invention, but are instead included to show environmental aspects thereof.

FIG. 9 is a front right perspective view of a tail lamp for a vehicle according to an alternative embodiment of the present invention.

FIG. 10 is a front view of the tail lamp shown in FIG. 9.

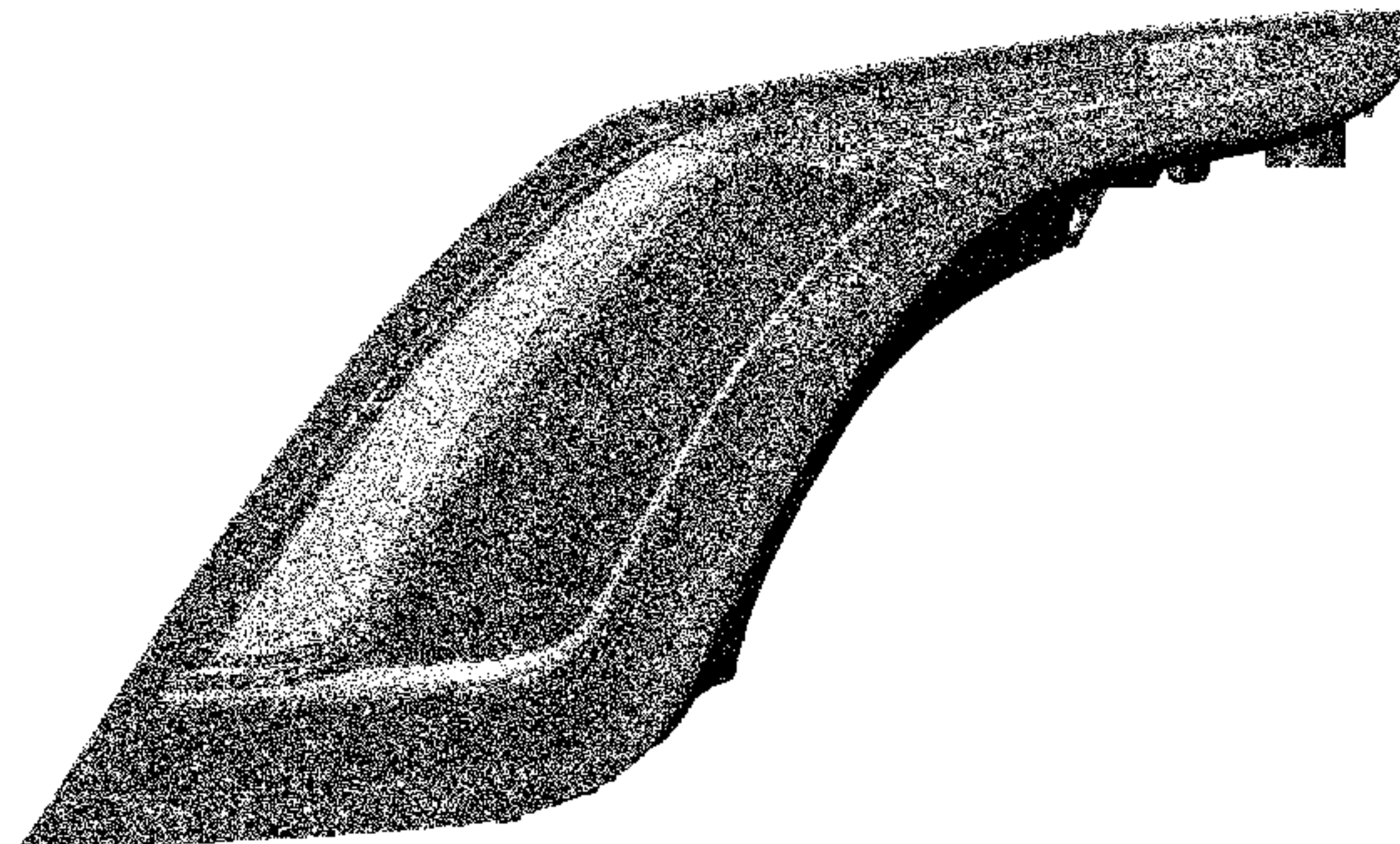
FIG. 11 is a right view thereof.

FIG. 12 is a left view thereof.

FIG. 13 is a top view thereof; and,

FIG. 14 is a front right perspective view of the tail lamp shown in FIG. 9, with the tail lamp shown mounted on a vehicle that is depicted in de-emphasized and halftone portions. These de-emphasized portions form no part of the claimed invention. More particularly, in FIG. 14, the tail lamp of the present invention is shown within the broken lines, and any elements shown outside of the broken lines

(Continued)



form no part of the claimed invention, but are instead included to show environmental aspects thereof.

**1 Claim, 9 Drawing Sheets**

**(58) Field of Classification Search**

CPC ... B60Q 3/0279; B62J 6/02; B62J 6/00; F21S 48/00; F21S 48/10; F21S 48/115; F21S 48/225; F21S 48/1233; F21S 48/1266; F21S 48/1388; F21S 48/2268; F21V 21/04

See application file for complete search history.

**(56) References Cited**

**U.S. PATENT DOCUMENTS**

D592,327 S \* 5/2009 Futschik ..... D26/28  
D605,793 S \* 12/2009 Weil ..... D26/28

D612,961 S \* 3/2010 Lamm ..... D26/28  
D620,157 S \* 7/2010 Frenzel ..... D26/28  
D679,431 S \* 4/2013 Frenzel ..... D26/28  
D679,432 S \* 4/2013 Frenzel ..... D26/28  
D706,471 S \* 6/2014 Lai ..... D26/28  
D746,495 S \* 12/2015 Gorsten Schuenemann .. D26/28  
D749,249 S \* 2/2016 Thole ..... D26/28  
D765,894 S \* 9/2016 Lai ..... D26/28  
D776,843 S \* 1/2017 McCabe ..... D26/28  
D777,360 S \* 1/2017 Kozub ..... D26/28  
D794,848 S \* 8/2017 Komuro ..... D26/28  
D802,181 S \* 11/2017 Cartabiano ..... D26/28  
D819,851 S \* 6/2018 Munakata ..... D26/28  
D819,854 S \* 6/2018 Lai ..... D26/28  
2011/0310610 A1\* 12/2011 Brown ..... B60Q 1/56  
362/253  
2013/0194817 A1\* 8/2013 Ito ..... B60Q 1/02  
362/538

\* cited by examiner



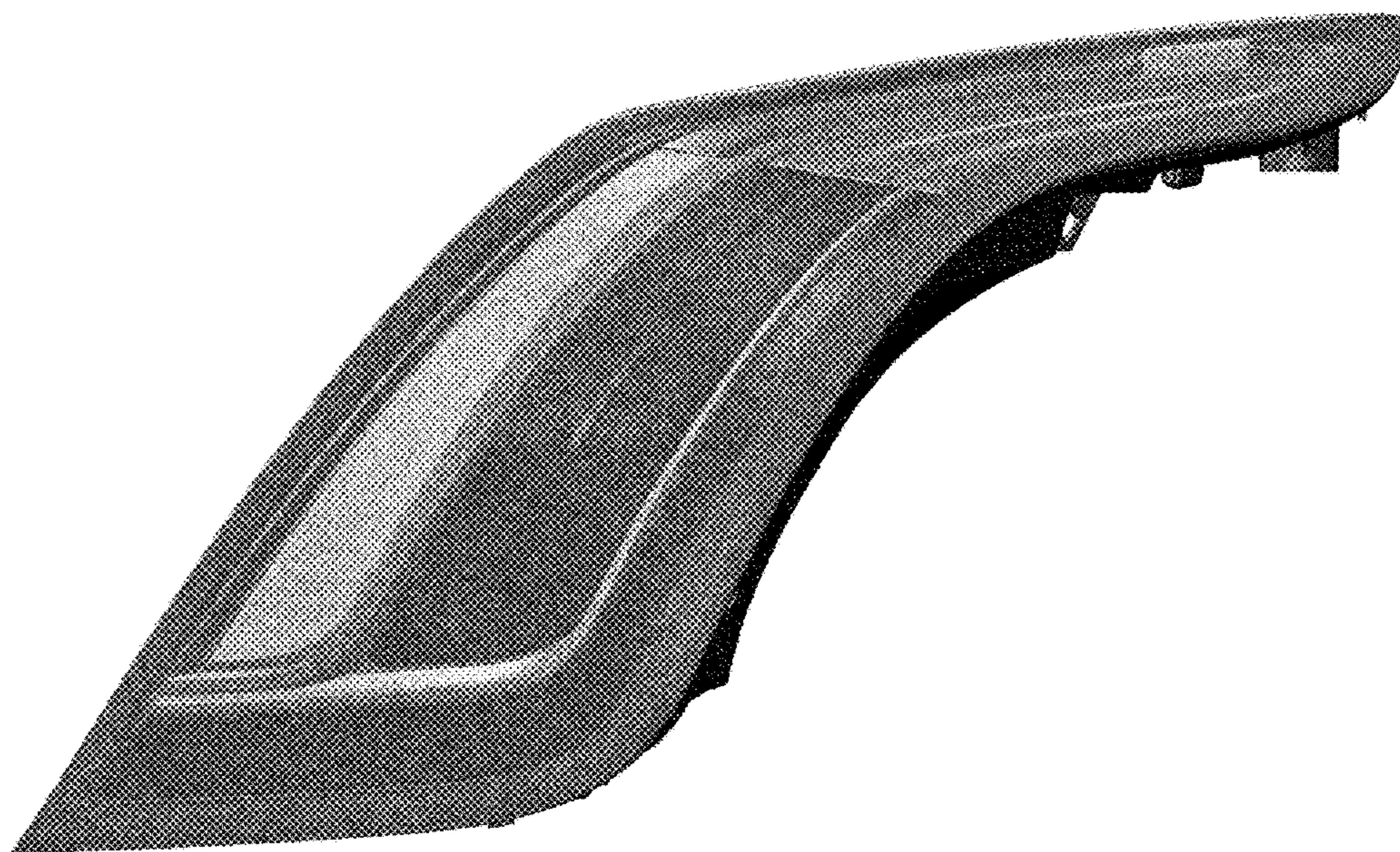


FIG. 1

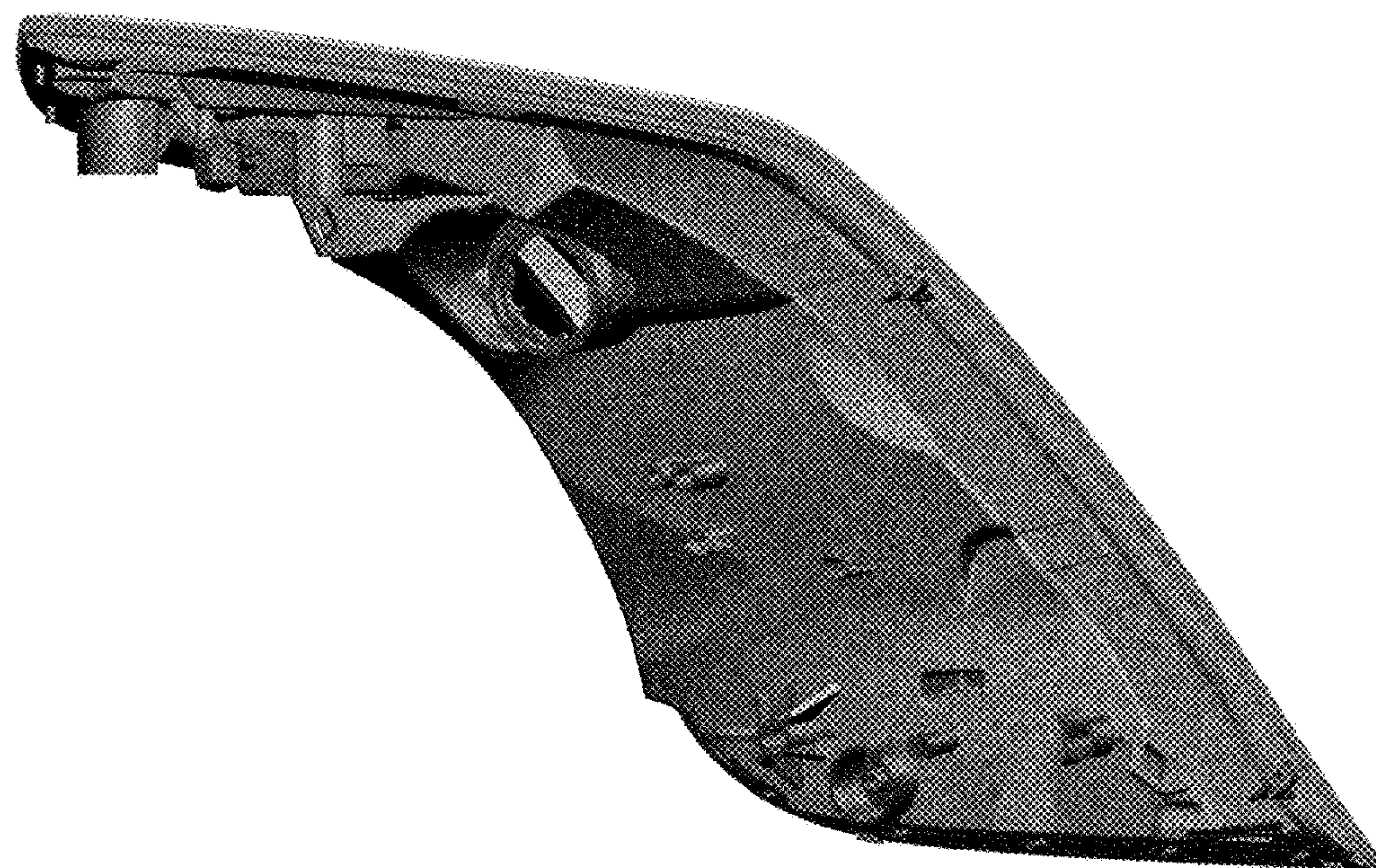


FIG. 2



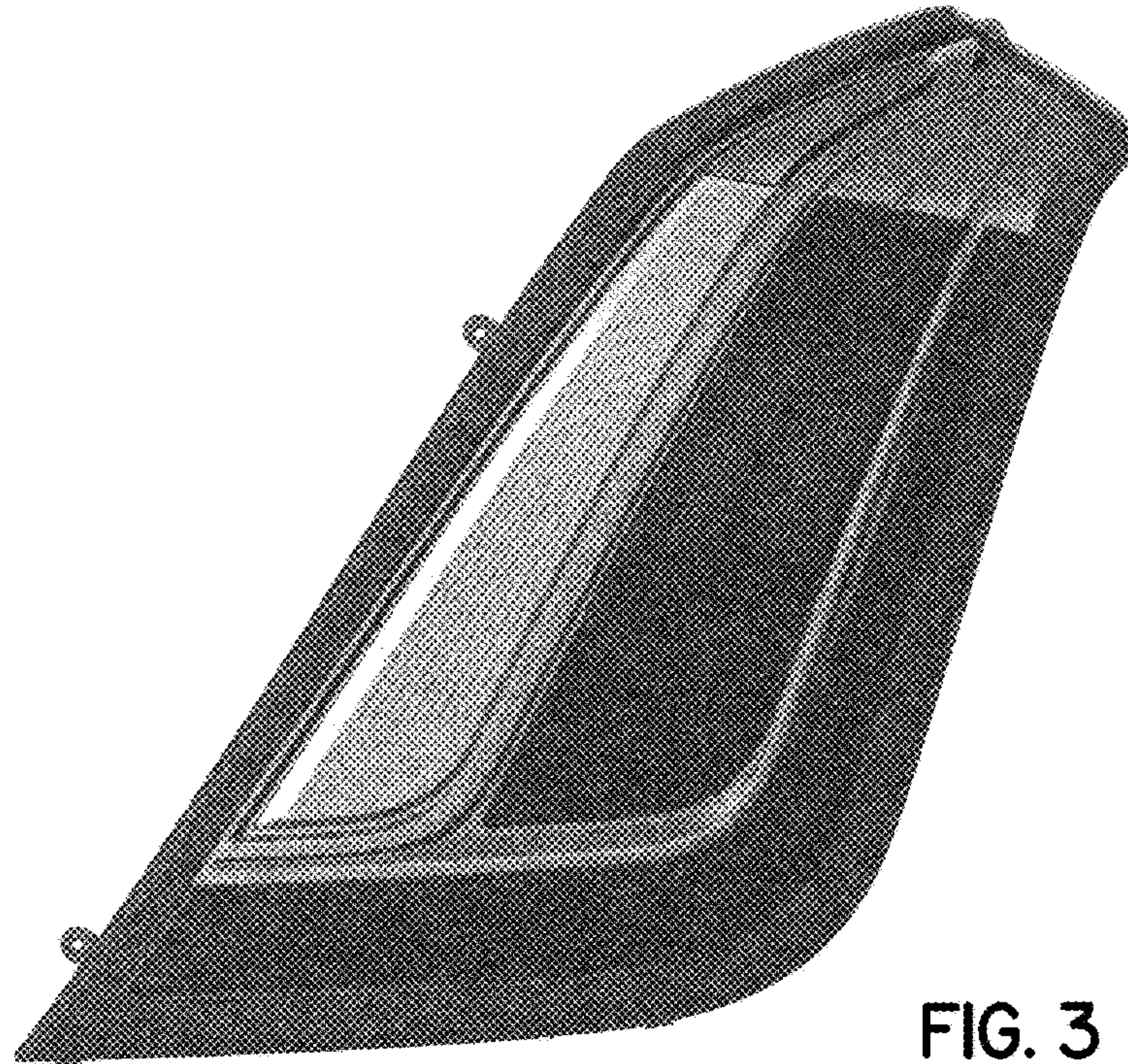


FIG. 3

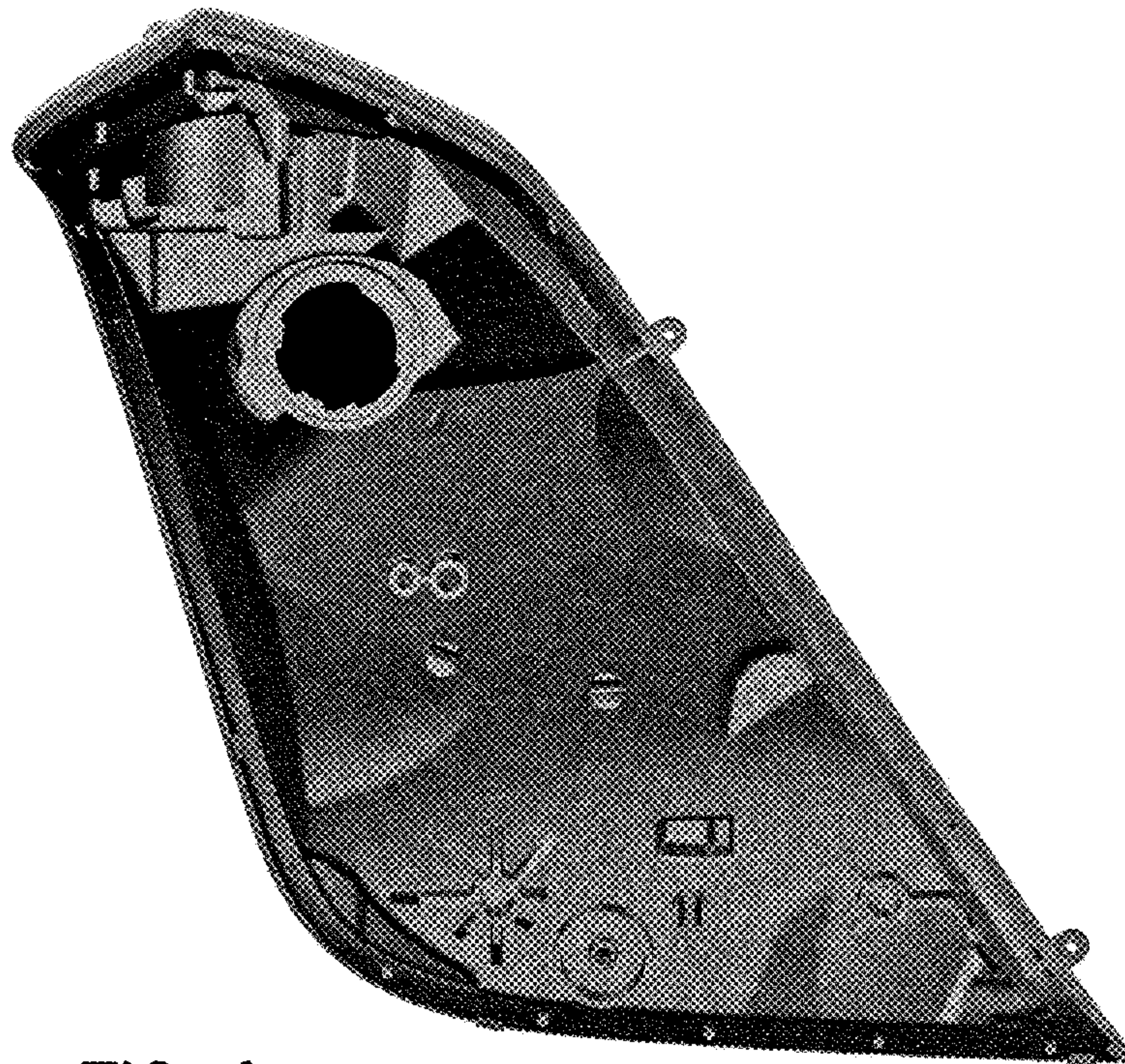


FIG. 4



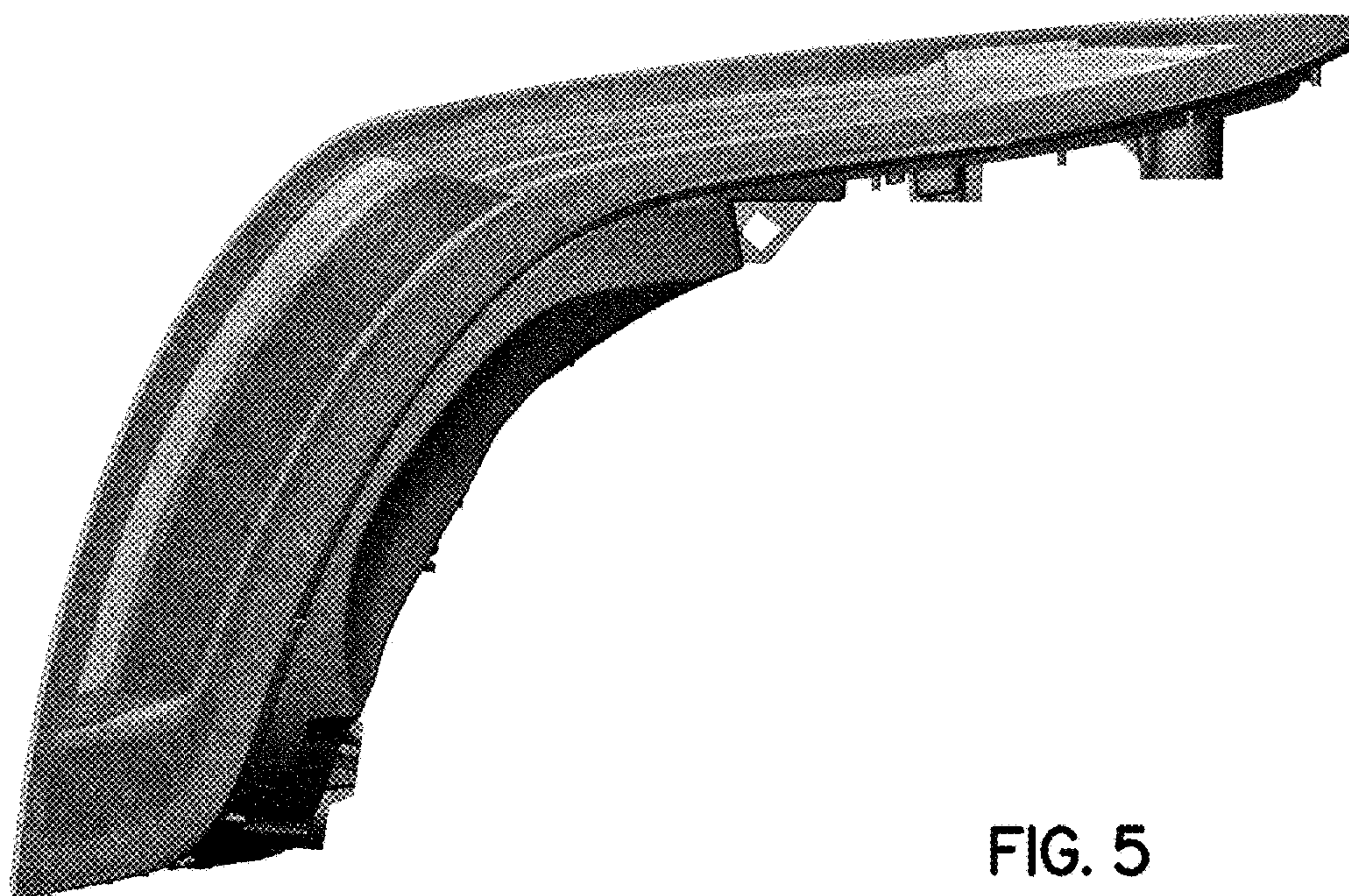


FIG. 5

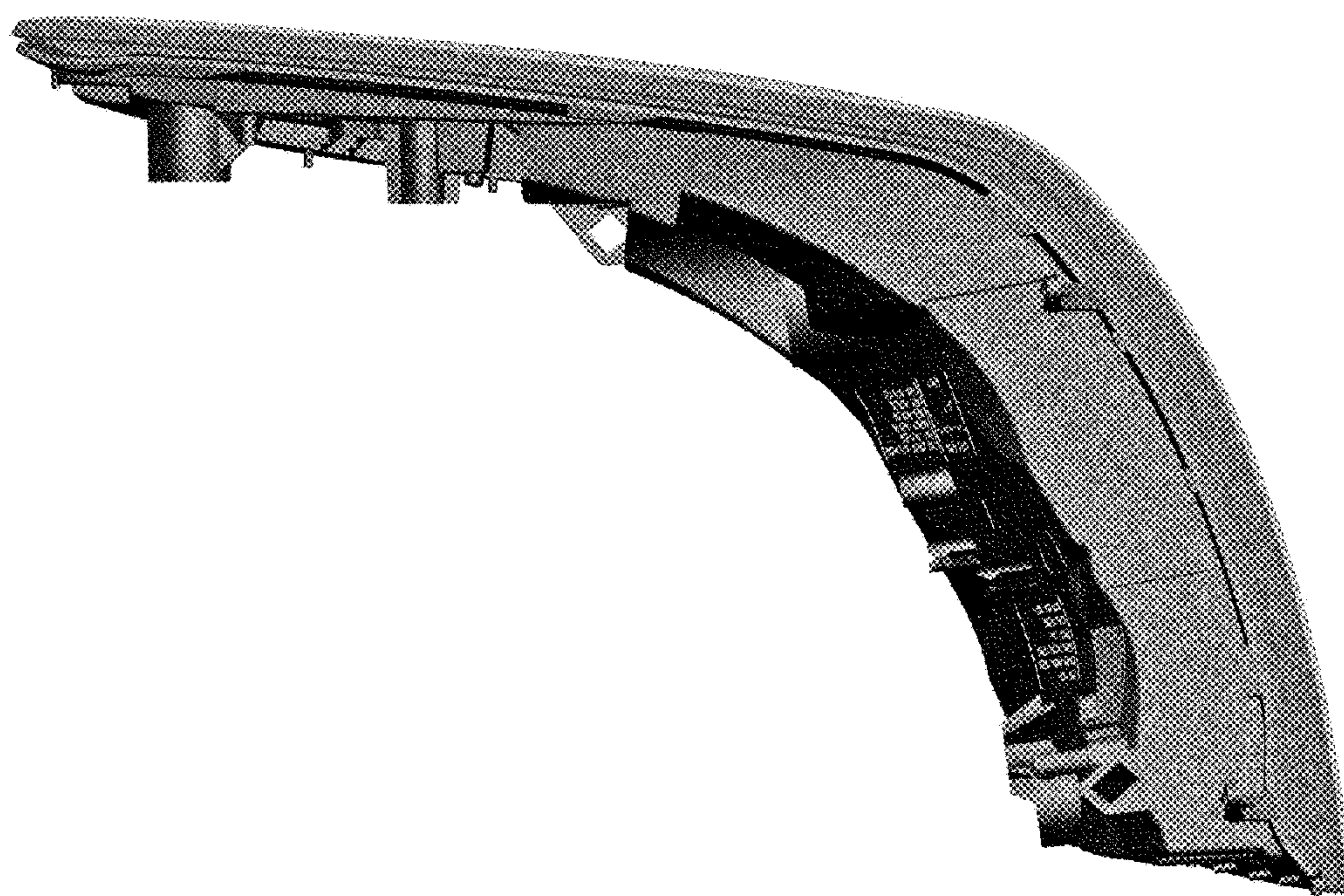


FIG. 6



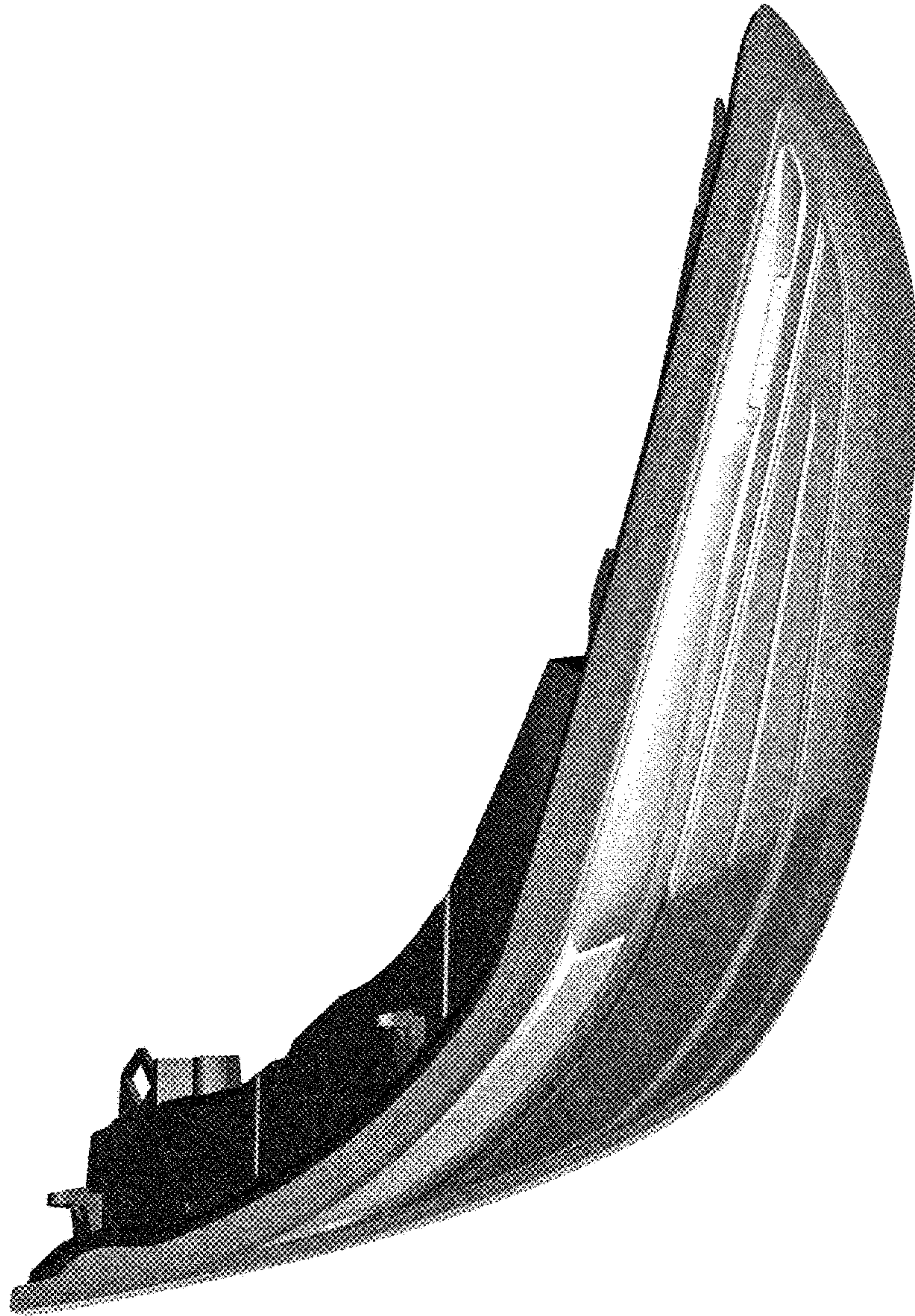


FIG. 7



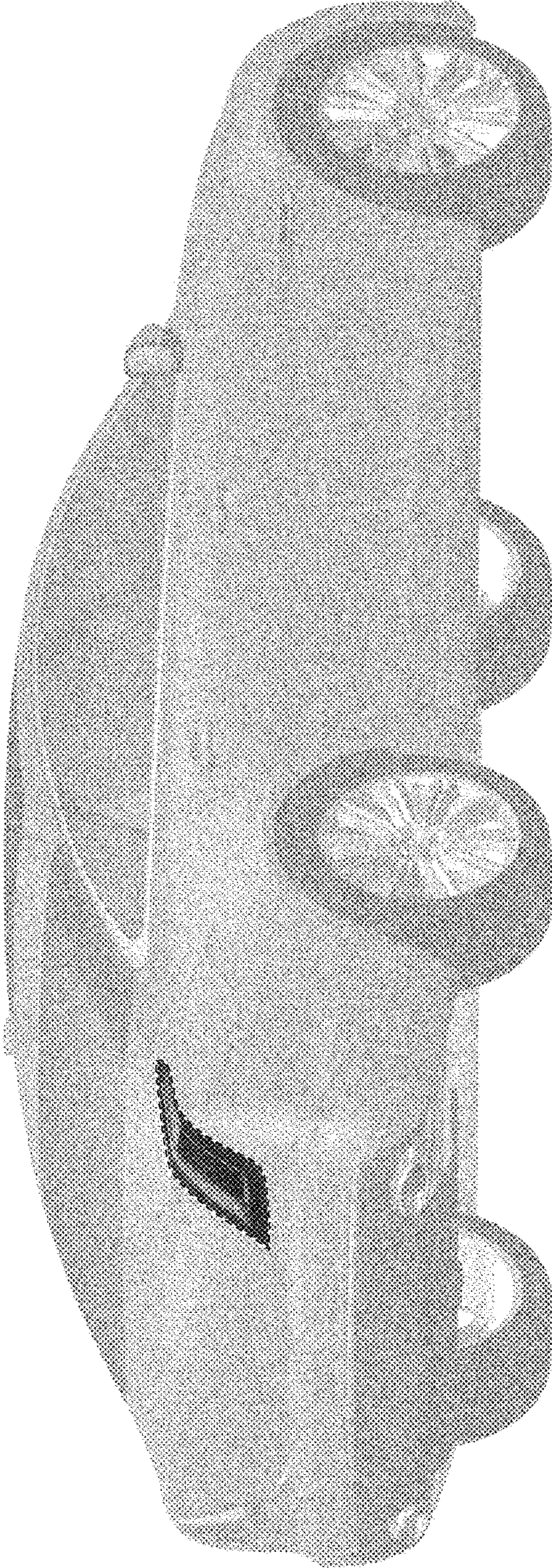


FIG. 8



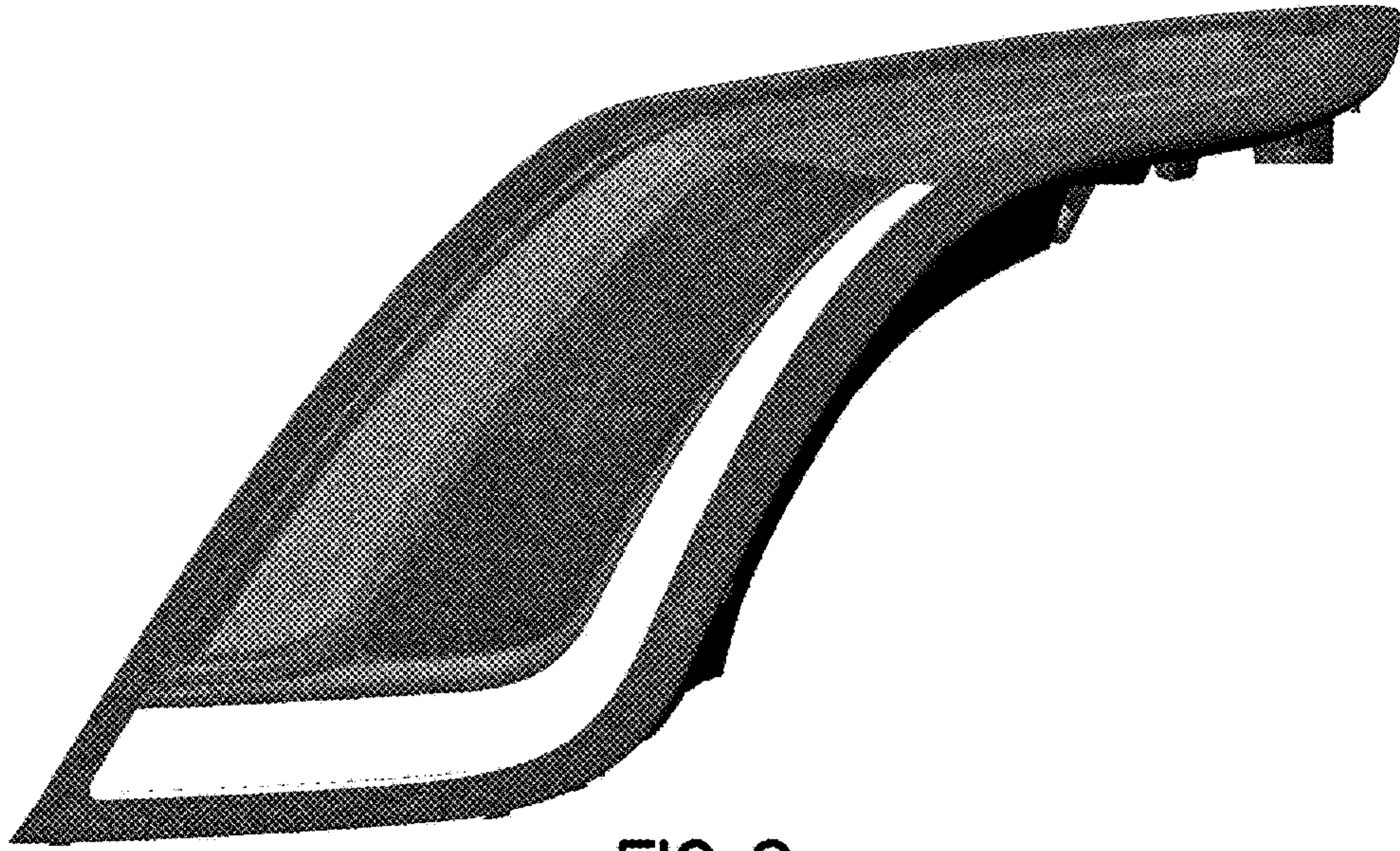


FIG. 9



FIG. 10



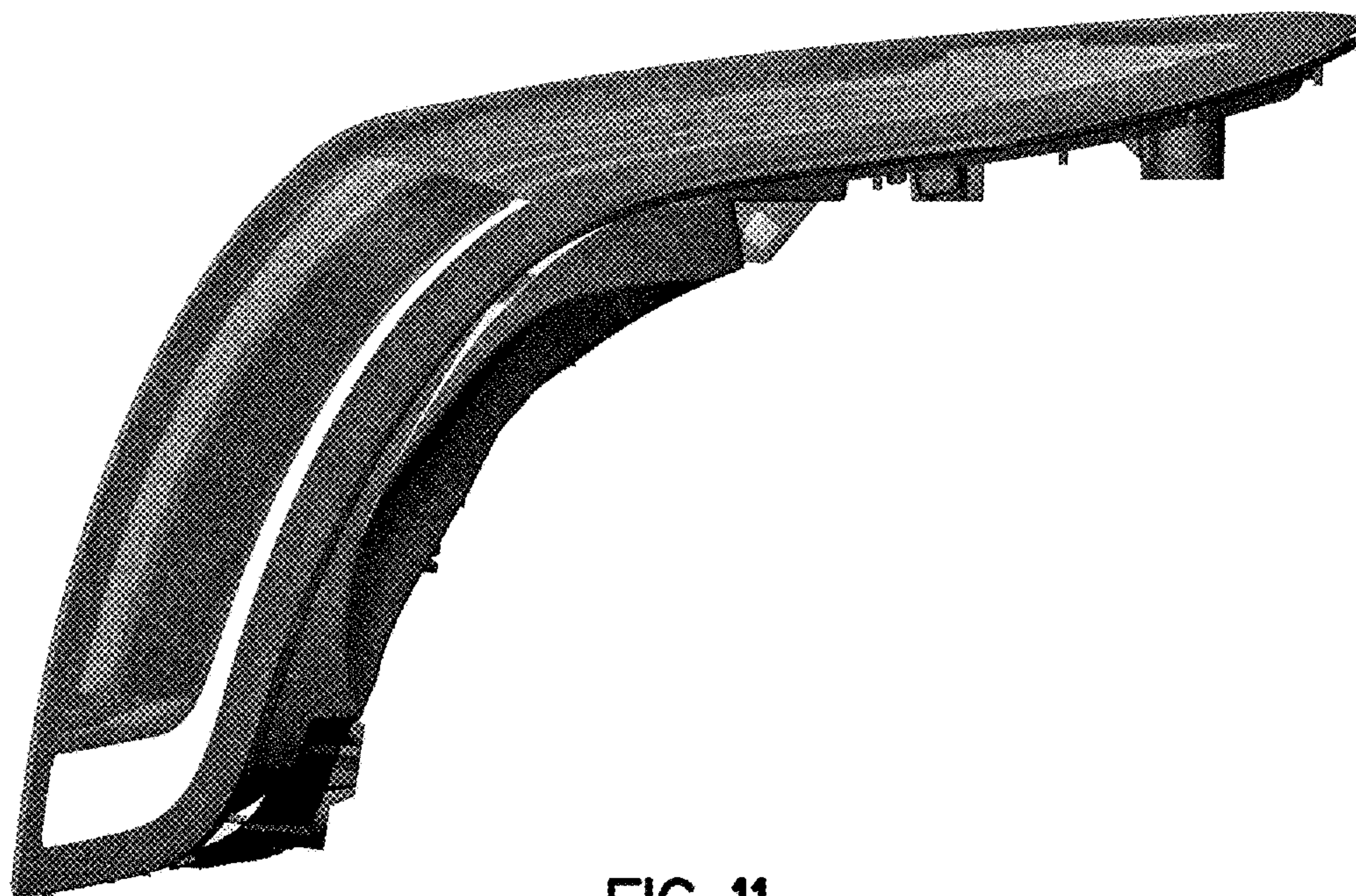


FIG. 11

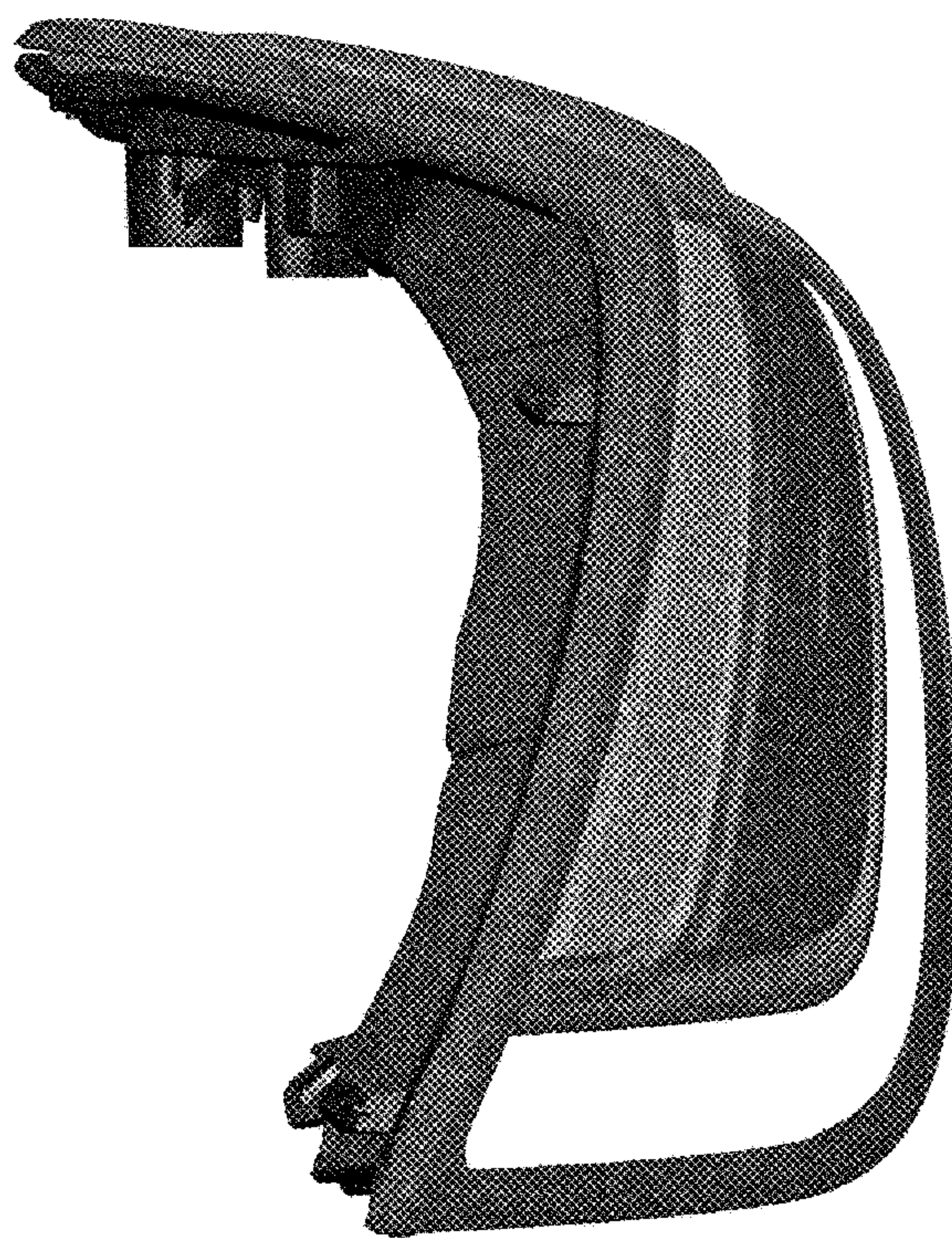


FIG. 12



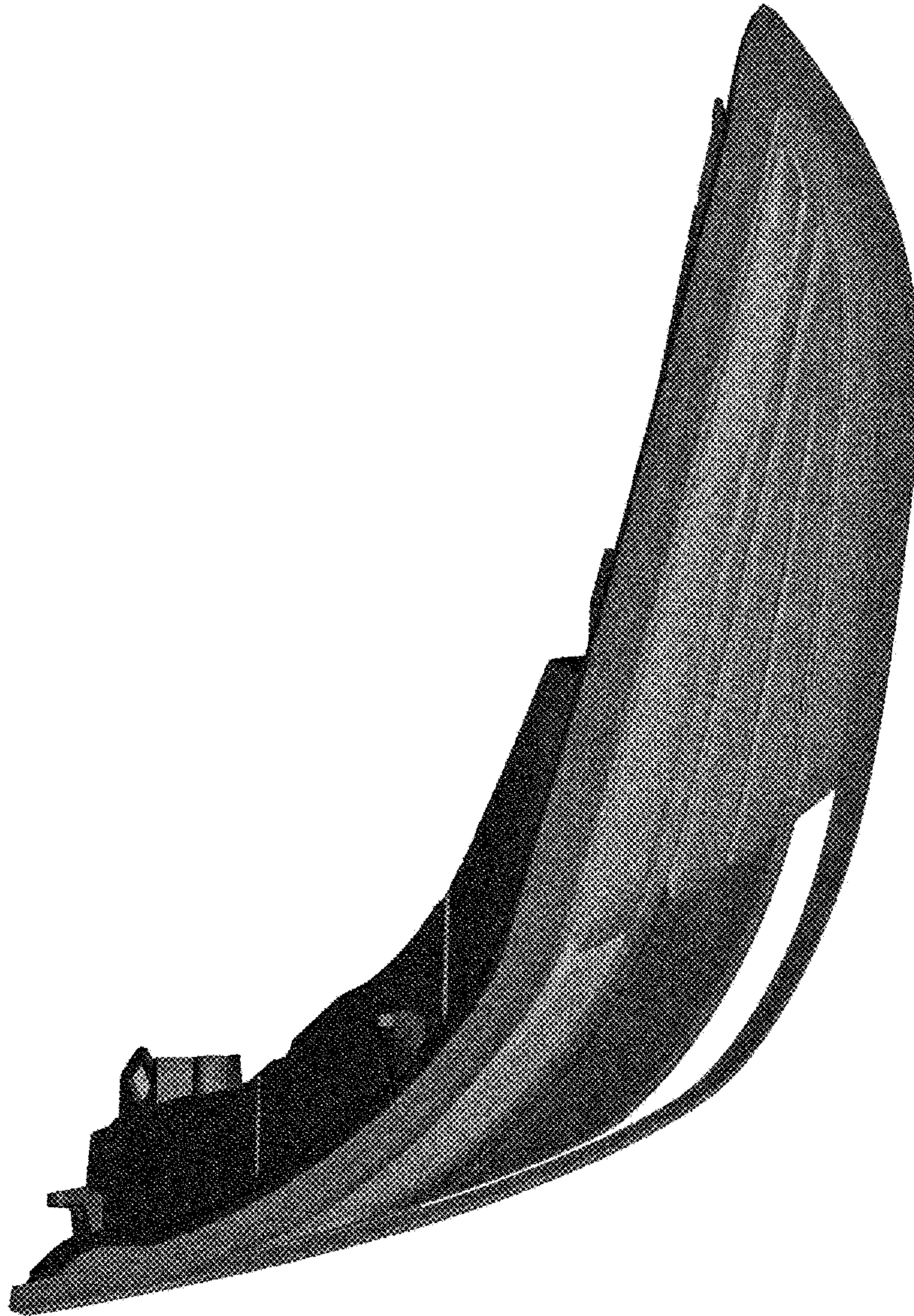


FIG. 13



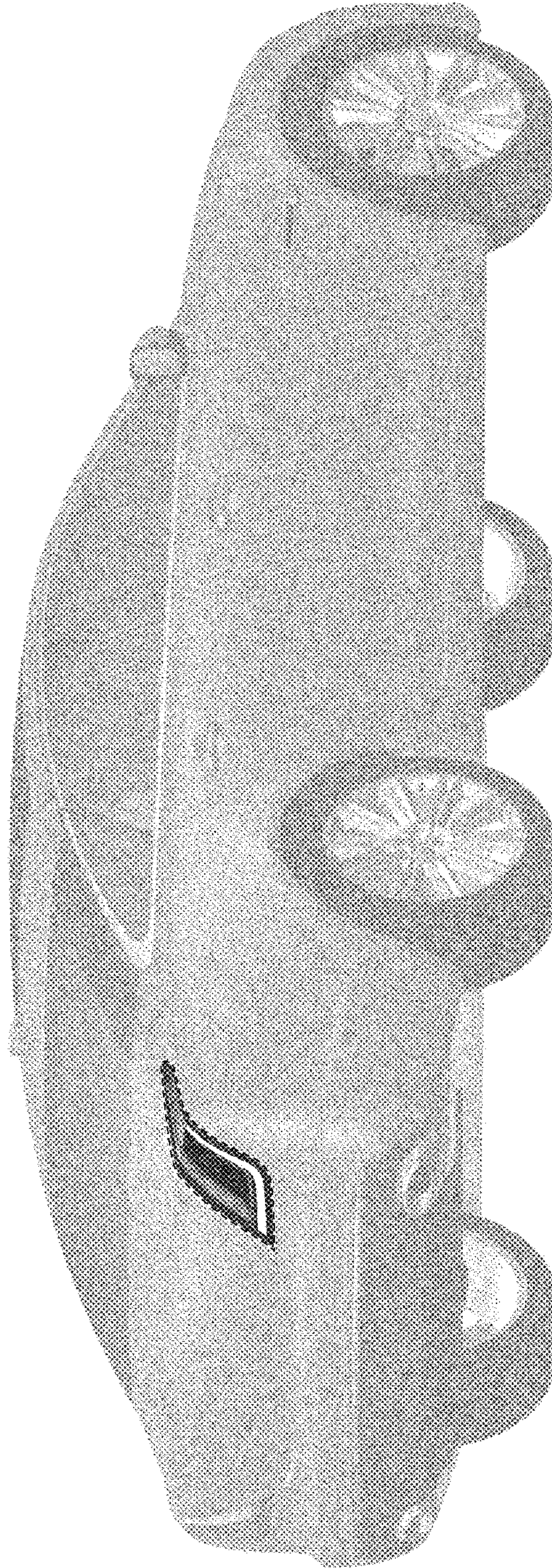


FIG. 14