



US00D861930S

(12) **United States Design Patent** (10) **Patent No.:** **US D861,930 S**  
**Wu** (45) **Date of Patent:** **\*\* Oct. 1, 2019**

(54) **LED NIGHT LIGHT WITH DUSK TO DAWN**

(71) Applicant: **Xun Wu**, Fuzhou (CN)

(72) Inventor: **Xun Wu**, Fuzhou (CN)

(\*\*) Term: **15 Years**

(21) Appl. No.: **29/635,107**

(22) Filed: **Jan. 28, 2018**

(51) **LOC (12) Cl.** ..... **26-05**

(52) **U.S. Cl.**

USPC ..... **D26/26**

(58) **Field of Classification Search**

USPC ..... D26/26, 24, 113, 118, 119, 120;

D23/366, 367, 369; 362/640, 641, 642,

362/643, 644, 650, 651, 652, 653, 659

CPC ..... F21S 8/035; F21V 23/06; F21V 23/0442;

F21W 2121/00; H01R 2103/00

See application file for complete search history.

(56) **References Cited**

**U.S. PATENT DOCUMENTS**

D352,564 S \* 11/1994 Marischen ..... D26/26

D376,214 S \* 12/1996 Pinchuk ..... D26/26

D376,436 S \* 12/1996 Emmerling ..... D26/26

D377,535 S \* 1/1997 Shulman ..... D26/26

5,662,408 A \* 9/1997 Marischen ..... F21S 8/035

362/253

D392,756 S \* 3/1998 Hanig ..... D26/26

D403,442 S \* 12/1998 Joss ..... D26/26

D435,124 S \* 12/2000 Yuen ..... D26/26

D505,876 S \* 6/2005 Kaczmarek ..... D10/104.1

D524,461 S \* 7/2006 Molenaar ..... D26/26

D526,422 S \* 8/2006 Yuen ..... D26/26

D533,956 S \* 12/2006 Vladika ..... D26/118

D821,615 S \* 6/2018 Trice ..... D26/26

**FOREIGN PATENT DOCUMENTS**

EM 0052267350001 \* 4/2018

\* cited by examiner

*Primary Examiner* — Angela J Lee

(74) *Attorney, Agent, or Firm* — Erson IP (Nelson IP)

(57) **CLAIM**

The ornamental design for an LED night light with dusk to dawn, as shown and described.

**DESCRIPTION**

FIG. 1 is a perspective view showing my design;

FIG. 2 is another perspective view showing my design;

FIG. 3 is a front view showing my design;

FIG. 4 is a back view showing my design;

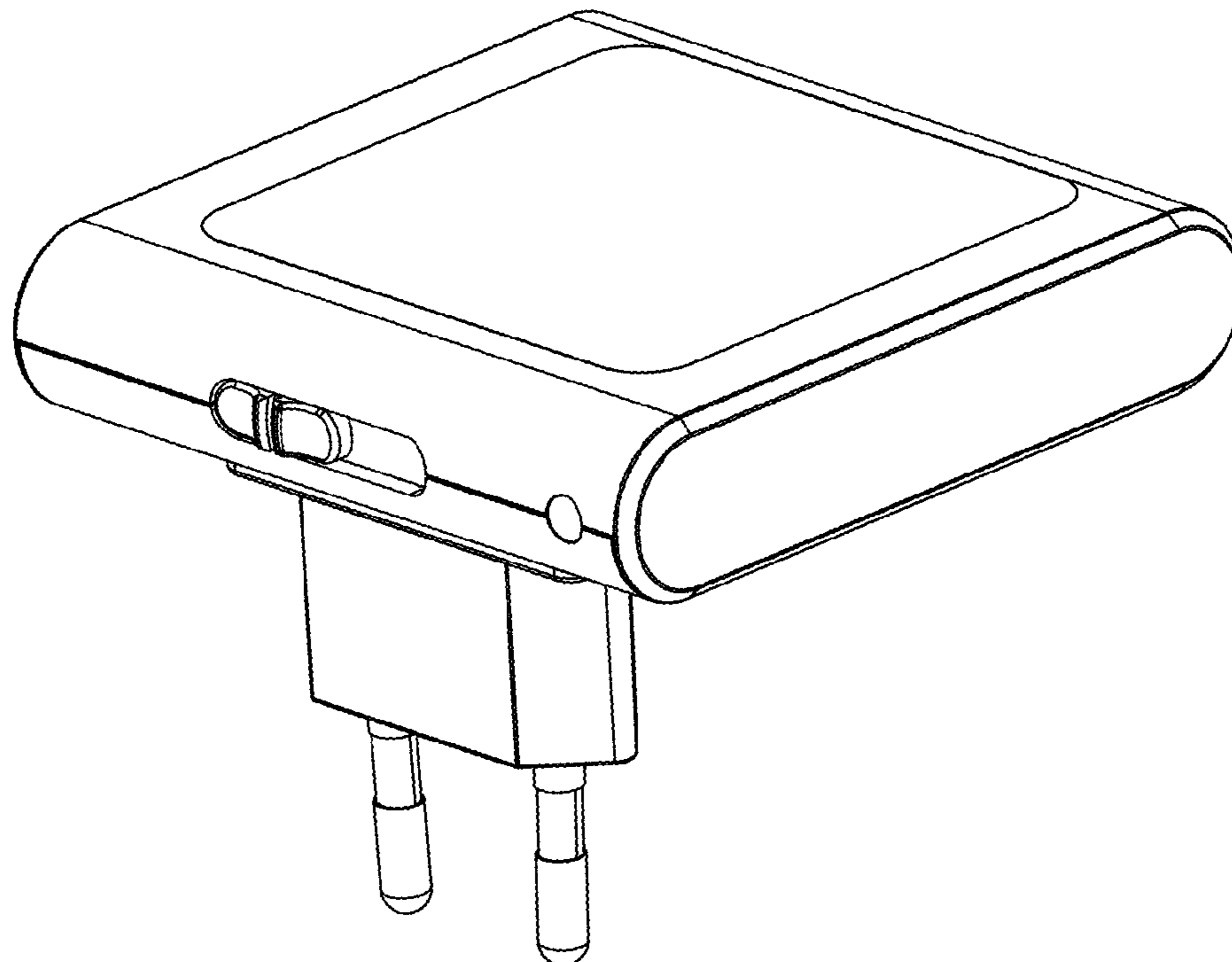
FIG. 5 is a left side view showing my design;

FIG. 6 is a right side view showing my design;

FIG. 7 is a top plan view showing my design; and,

FIG. 8 is a bottom plan view showing my design.

**1 Claim, 8 Drawing Sheets**



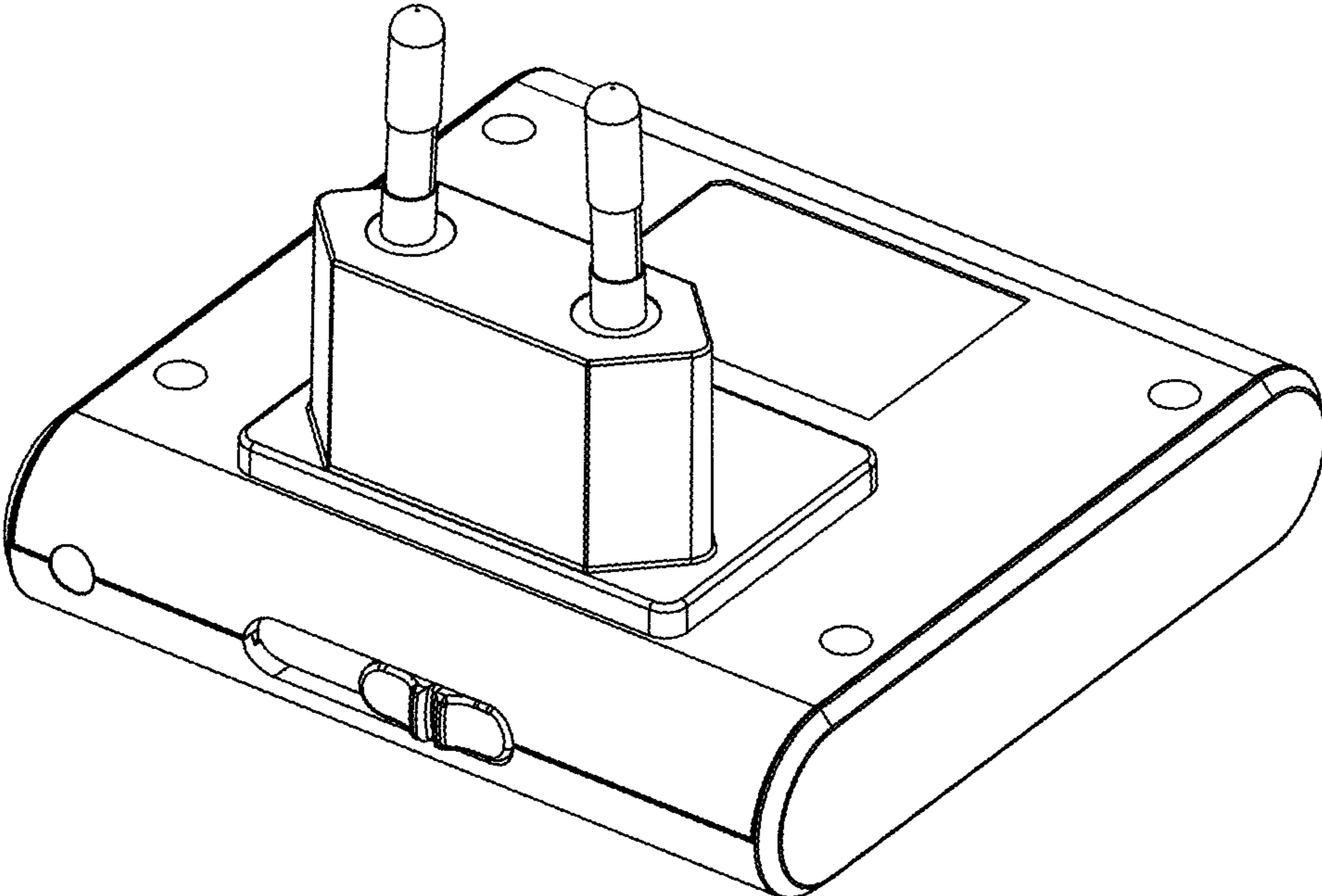


Fig. 1

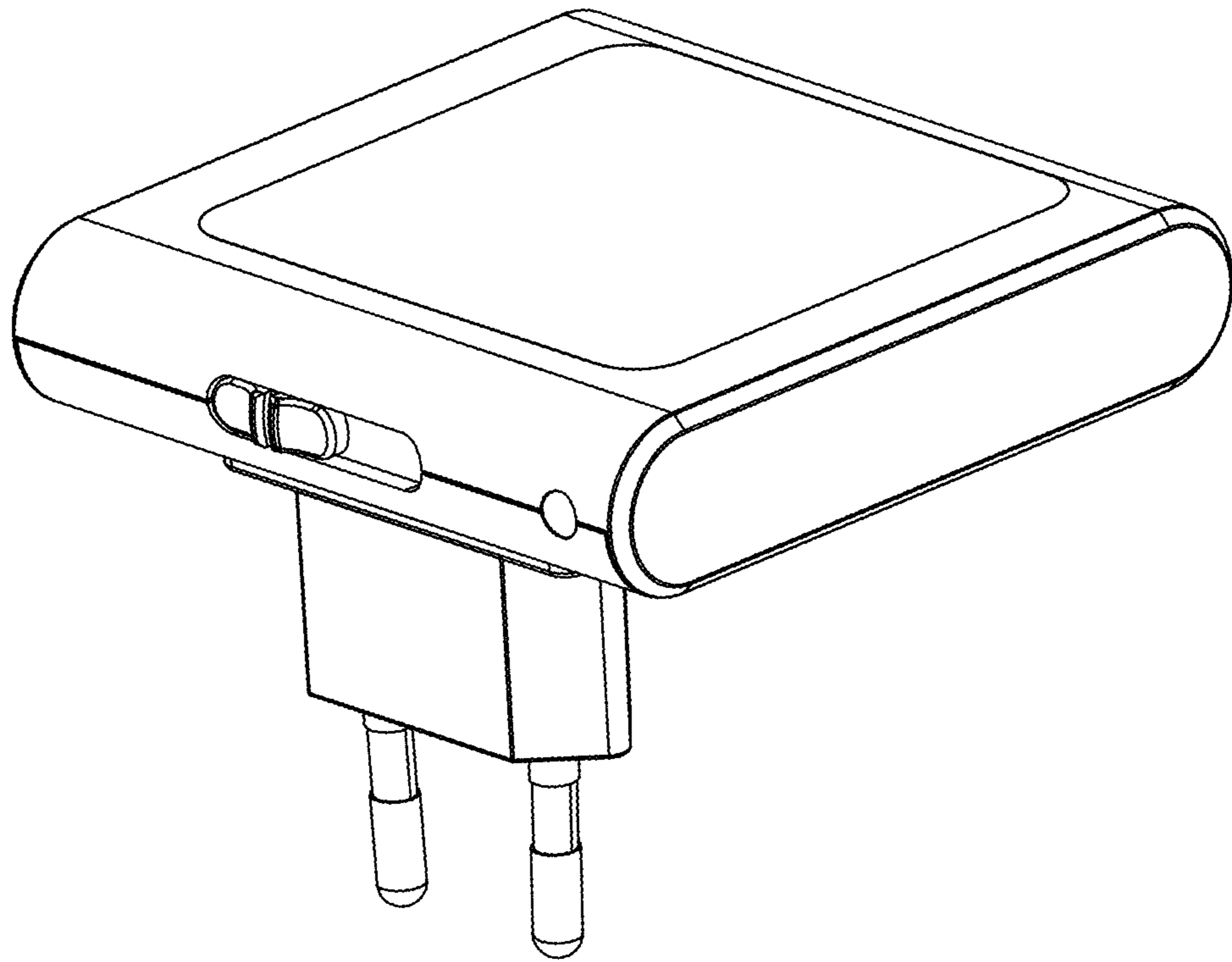


Fig. 2

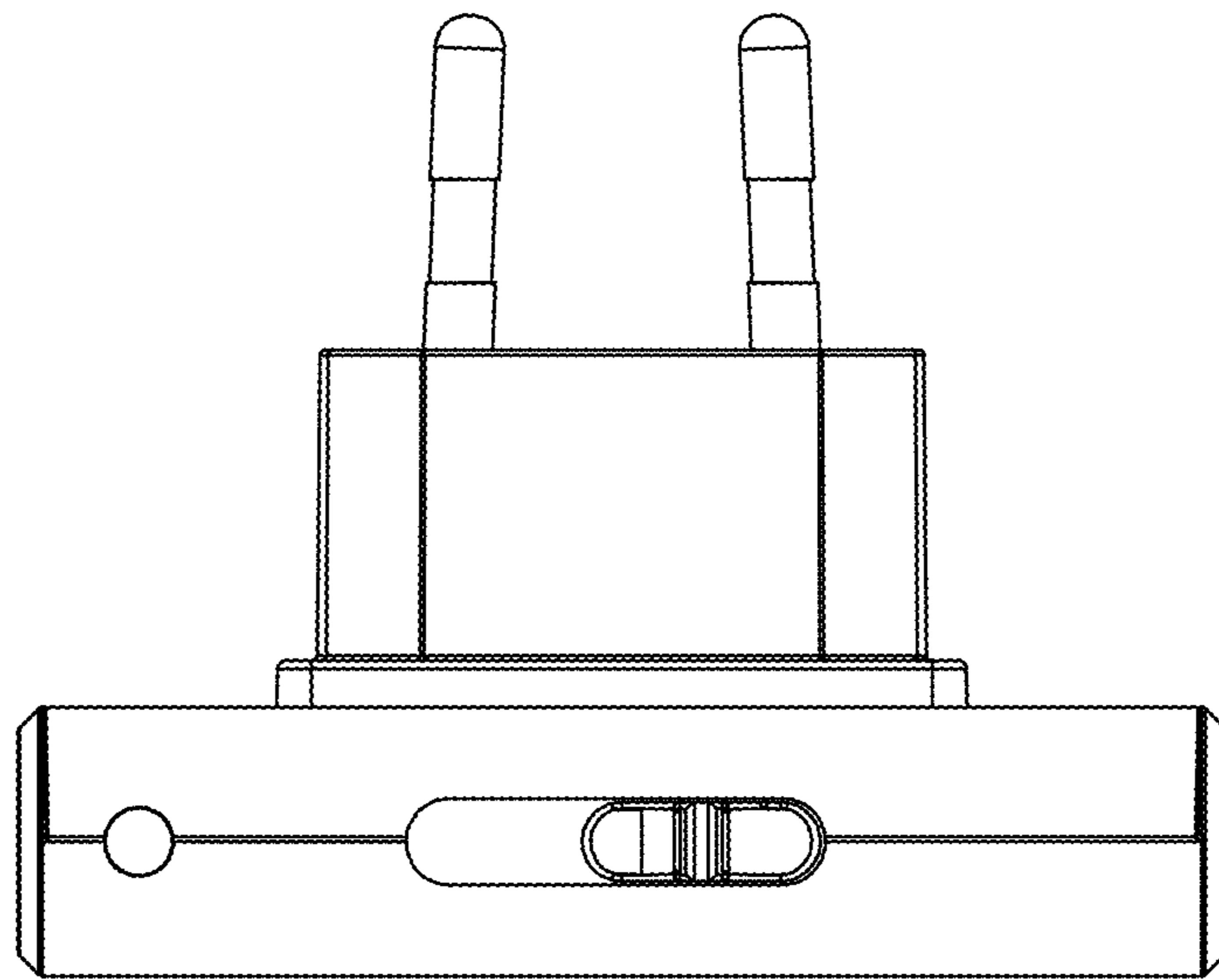


Fig. 3

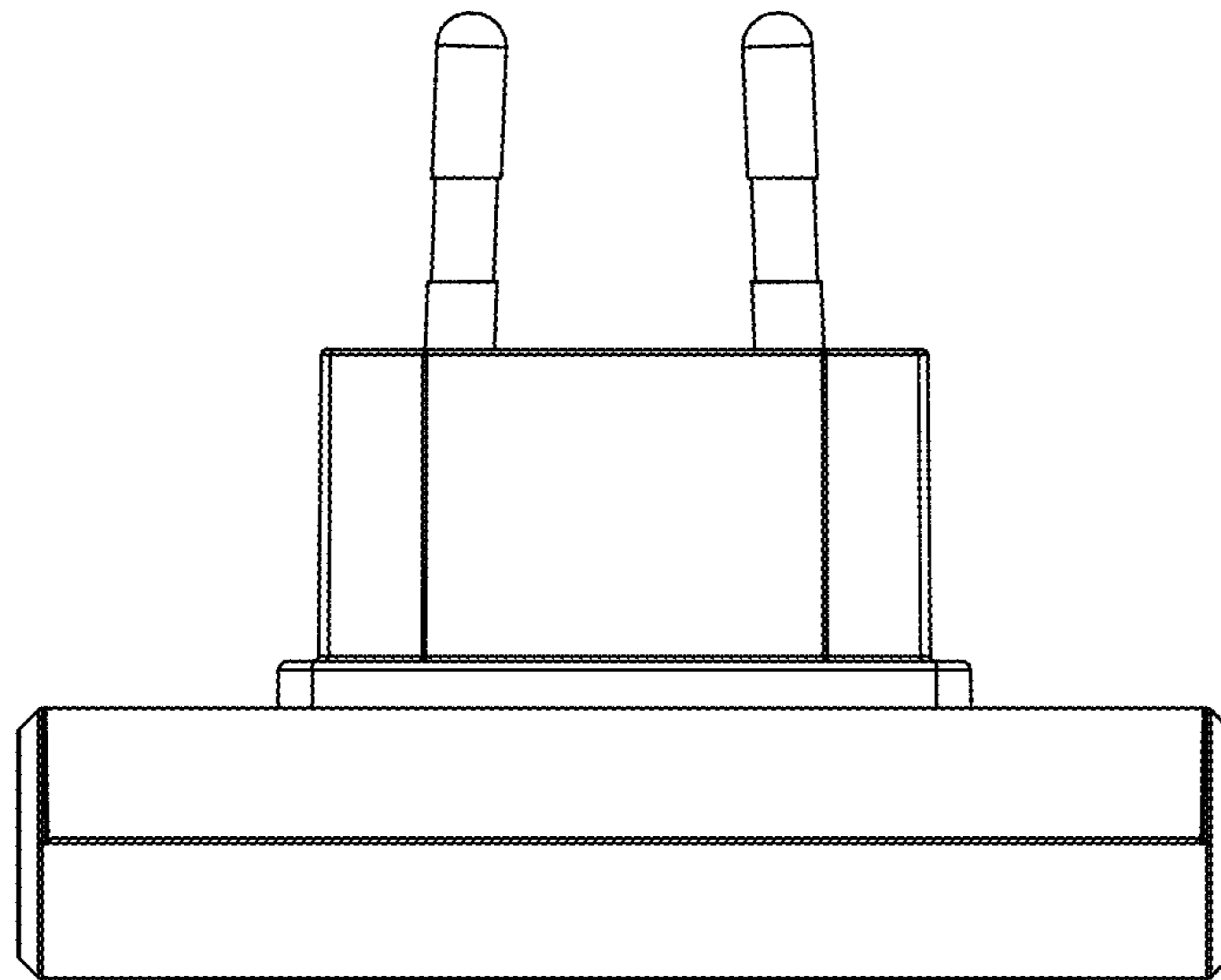


Fig. 4

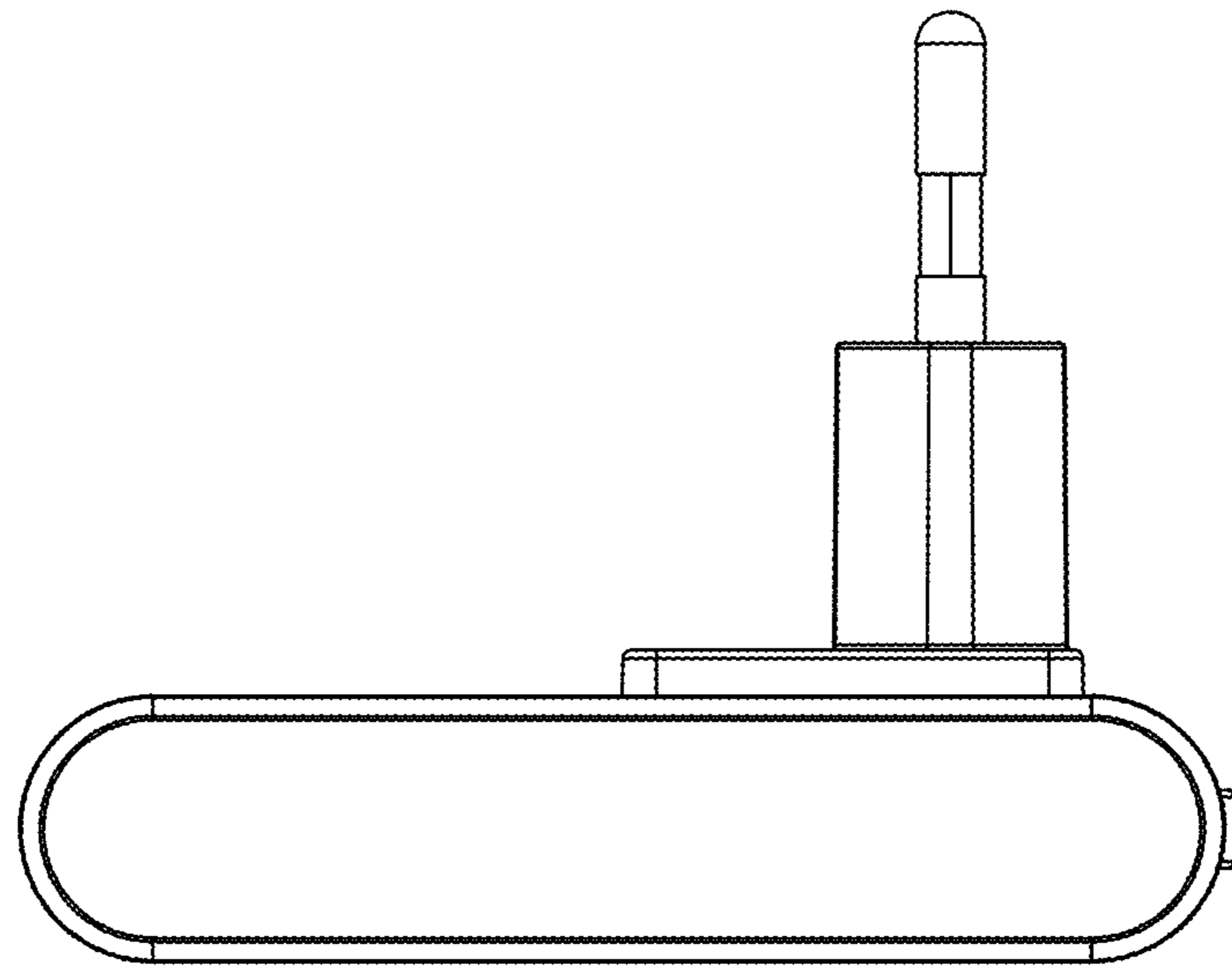


Fig. 5

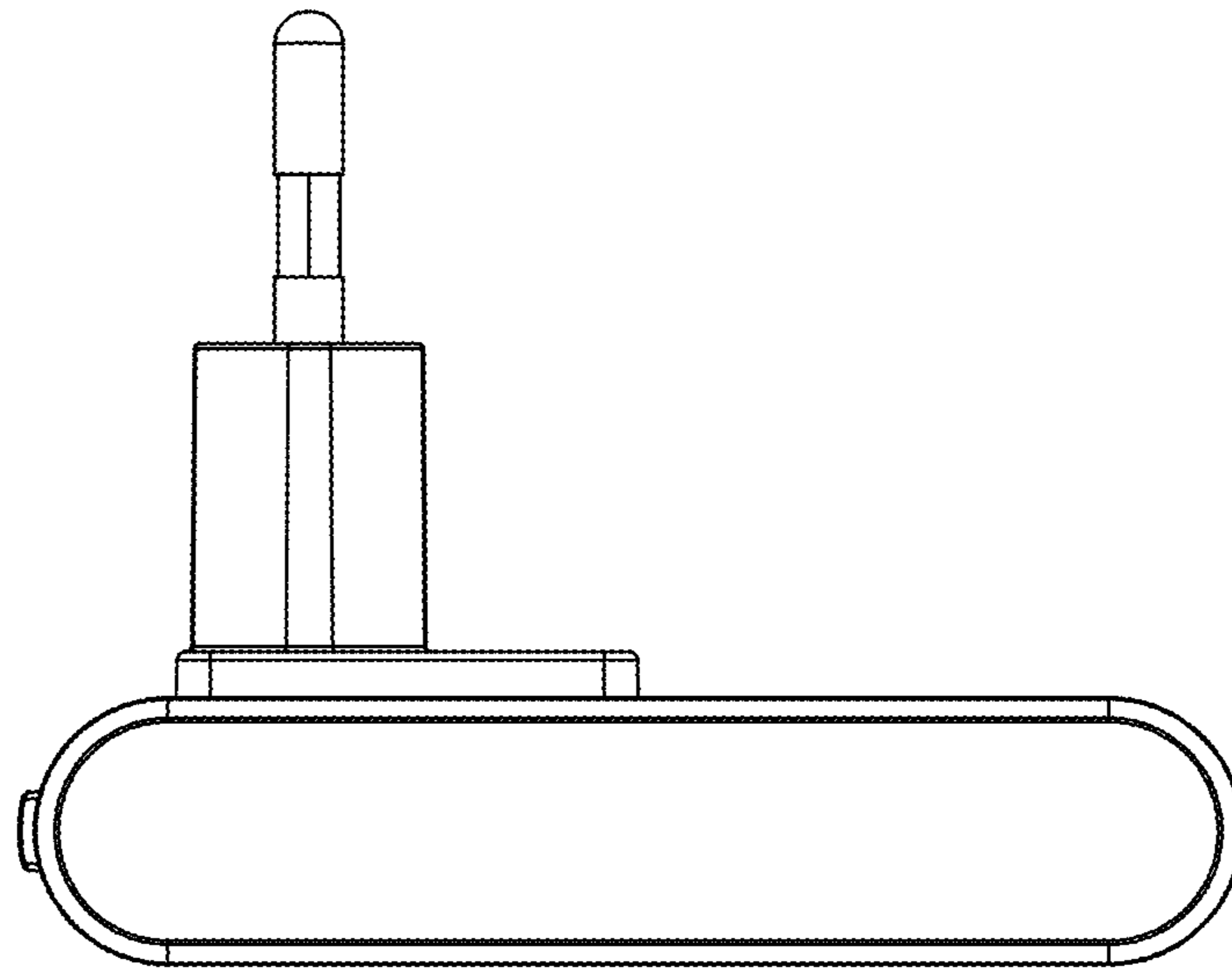


Fig. 6

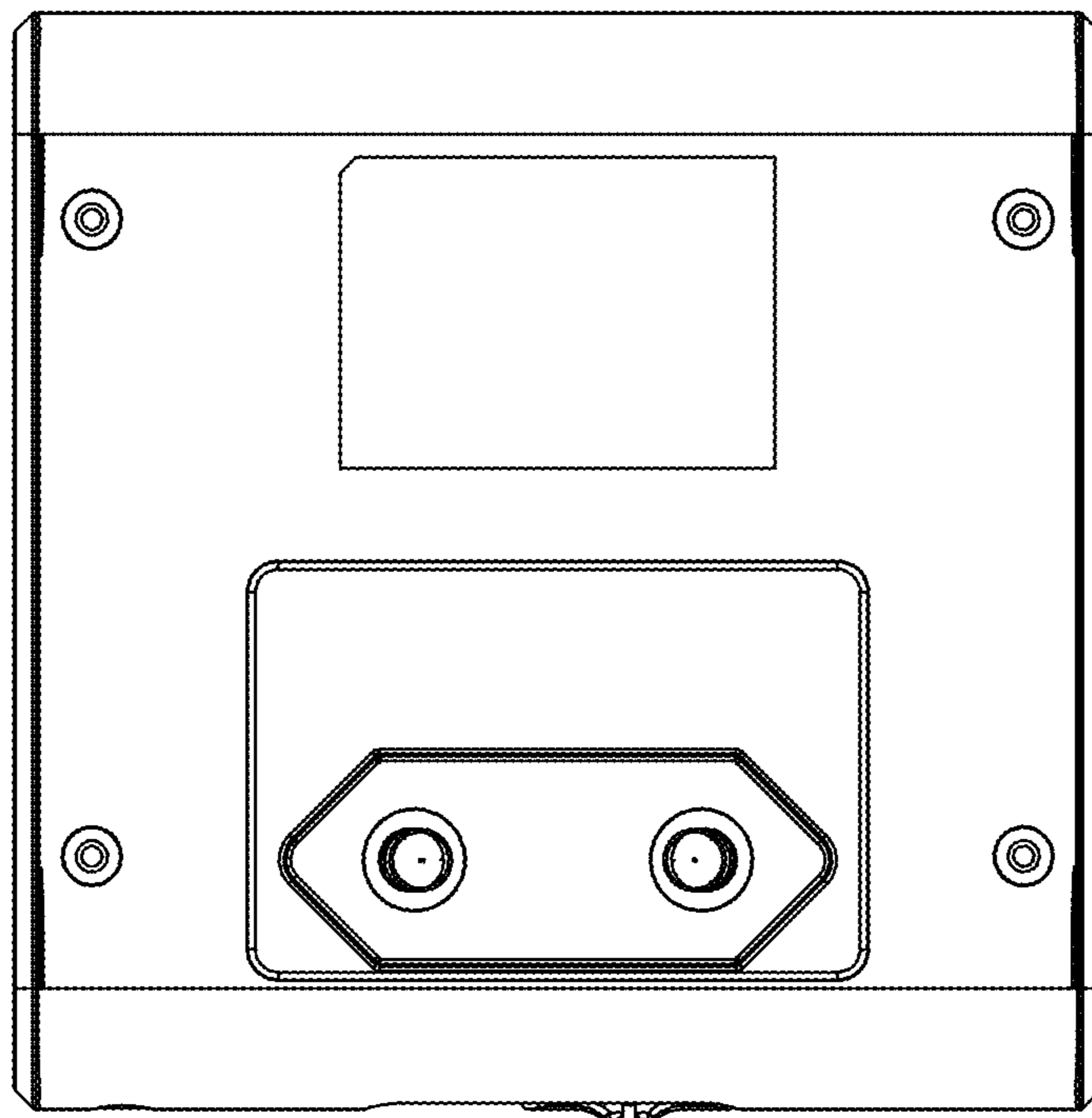


Fig. 7



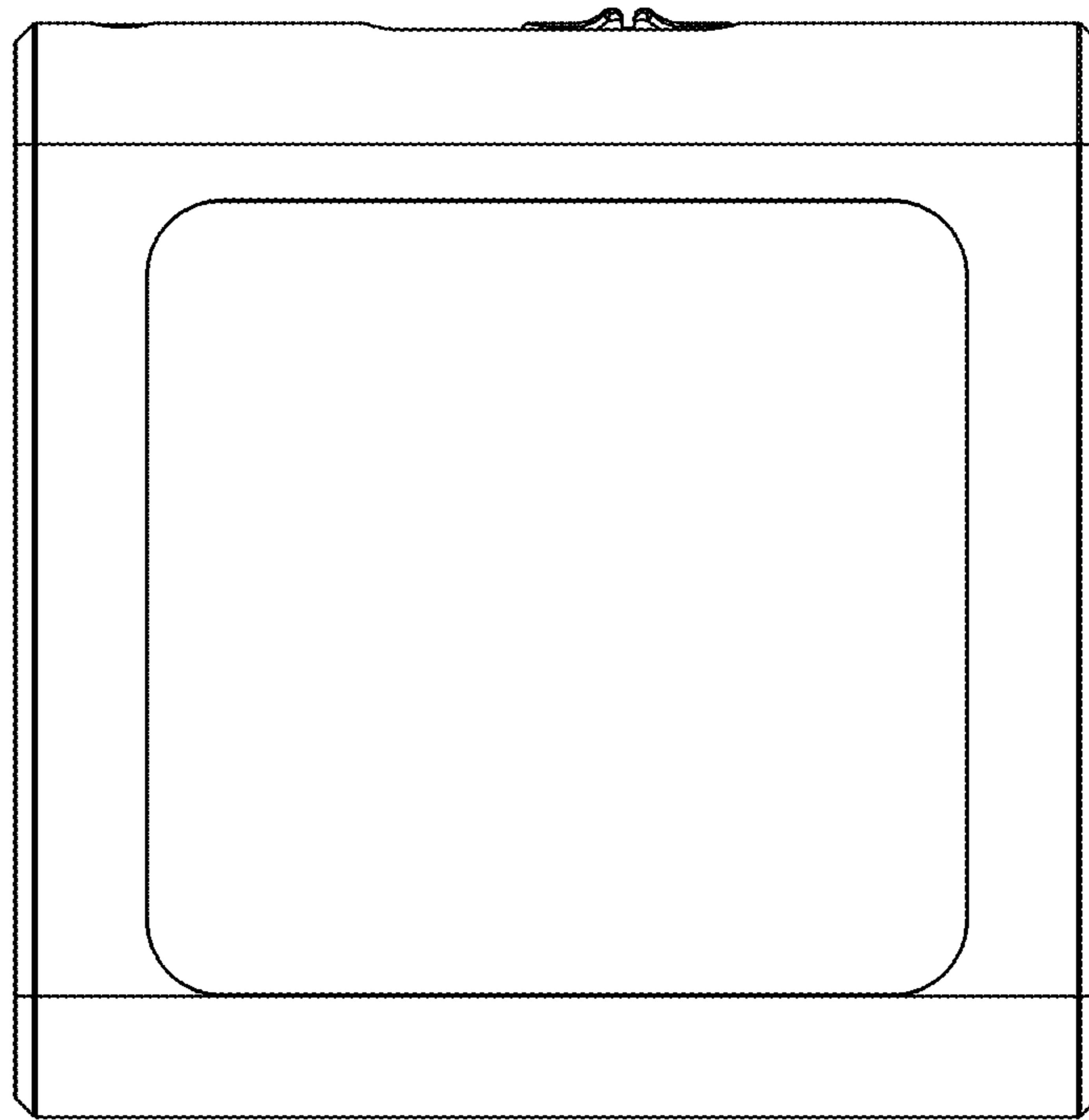


Fig. 8