



US00D861926S

(12) **United States Design Patent**
Lin

(10) **Patent No.:** **US D861,926 S**

(45) **Date of Patent:** **** Oct. 1, 2019**

(54) **LED CEILING LIGHT**

(71) Applicant: **Yanfu Lin**, Shenzhen (CN)

(72) Inventor: **Yanfu Lin**, Shenzhen (CN)

(**) Term: **15 Years**

(21) Appl. No.: **29/692,150**

(22) Filed: **May 23, 2019**

(51) **LOC (12) Cl.** **26-04**

(52) **U.S. Cl.**
USPC **D26/2**

(58) **Field of Classification Search**
USPC D26/1-4
CPC H01R 5/00; H01R 13/46; H01R 13/514;
H01R 31/048; H01R 31/02; H01J 5/00;
H01J 5/16; H01J 1/02; H01J 15/00; H01J
5/48; H01J 5/50; H01J 19/54; F21V 5/00;
F21K 9/00; F21K 13/00; F21K 9/13;
F21K 9/135; F21K 9/1375

See application file for complete search history.

(56) **References Cited**

U.S. PATENT DOCUMENTS

D669,209 S 10/2012 Choi
D745,709 S * 12/2015 Iguma D26/2

D748,840 S * 2/2016 Lee D26/2
D761,973 S * 7/2016 Moon D26/2
D770,077 S 10/2016 Lai
D773,103 S 11/2016 Recker
D780,347 S * 2/2017 Shum D26/2
D781,468 S * 3/2017 Shum D26/2

* cited by examiner

Primary Examiner — Marcus A Jackson

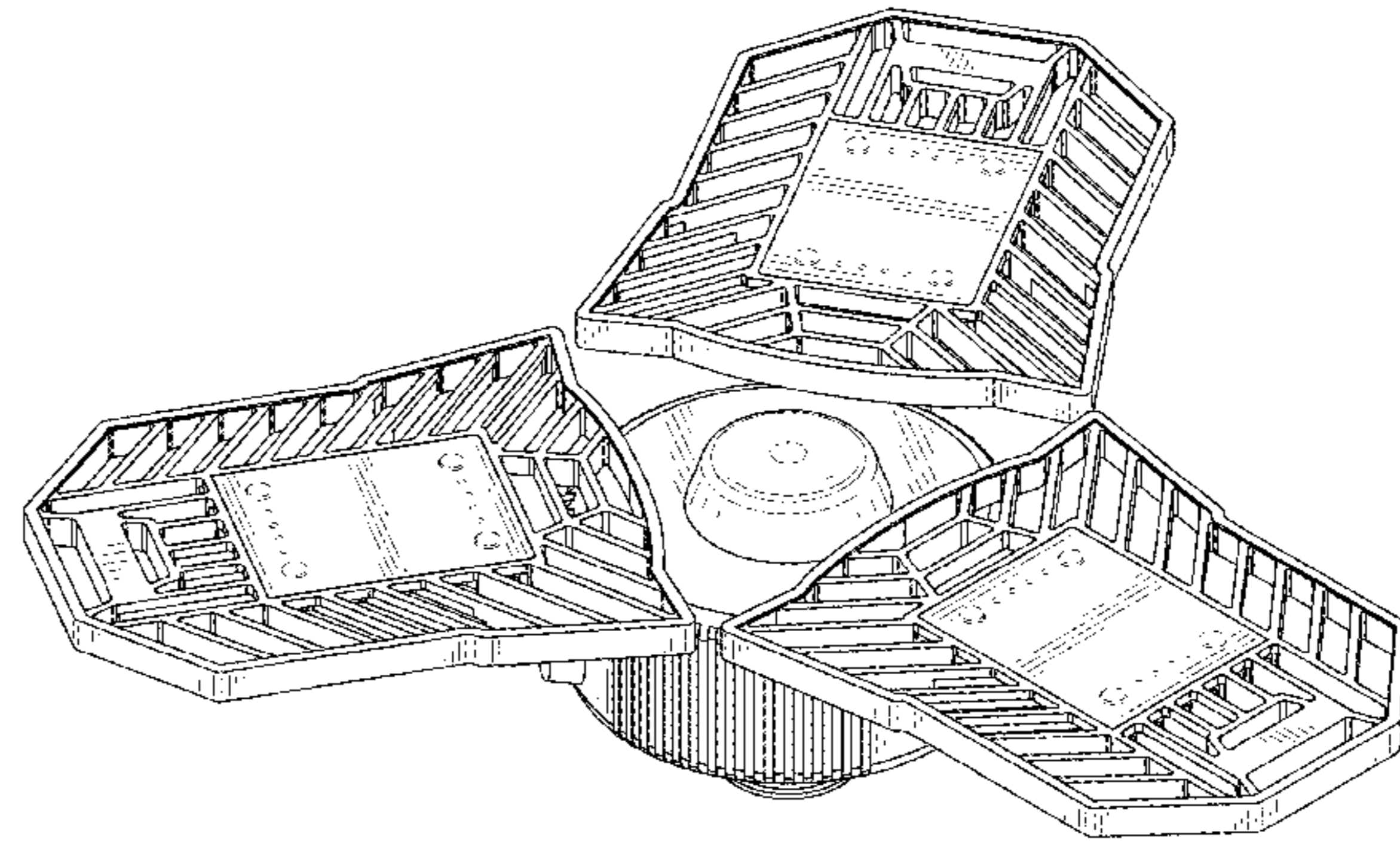
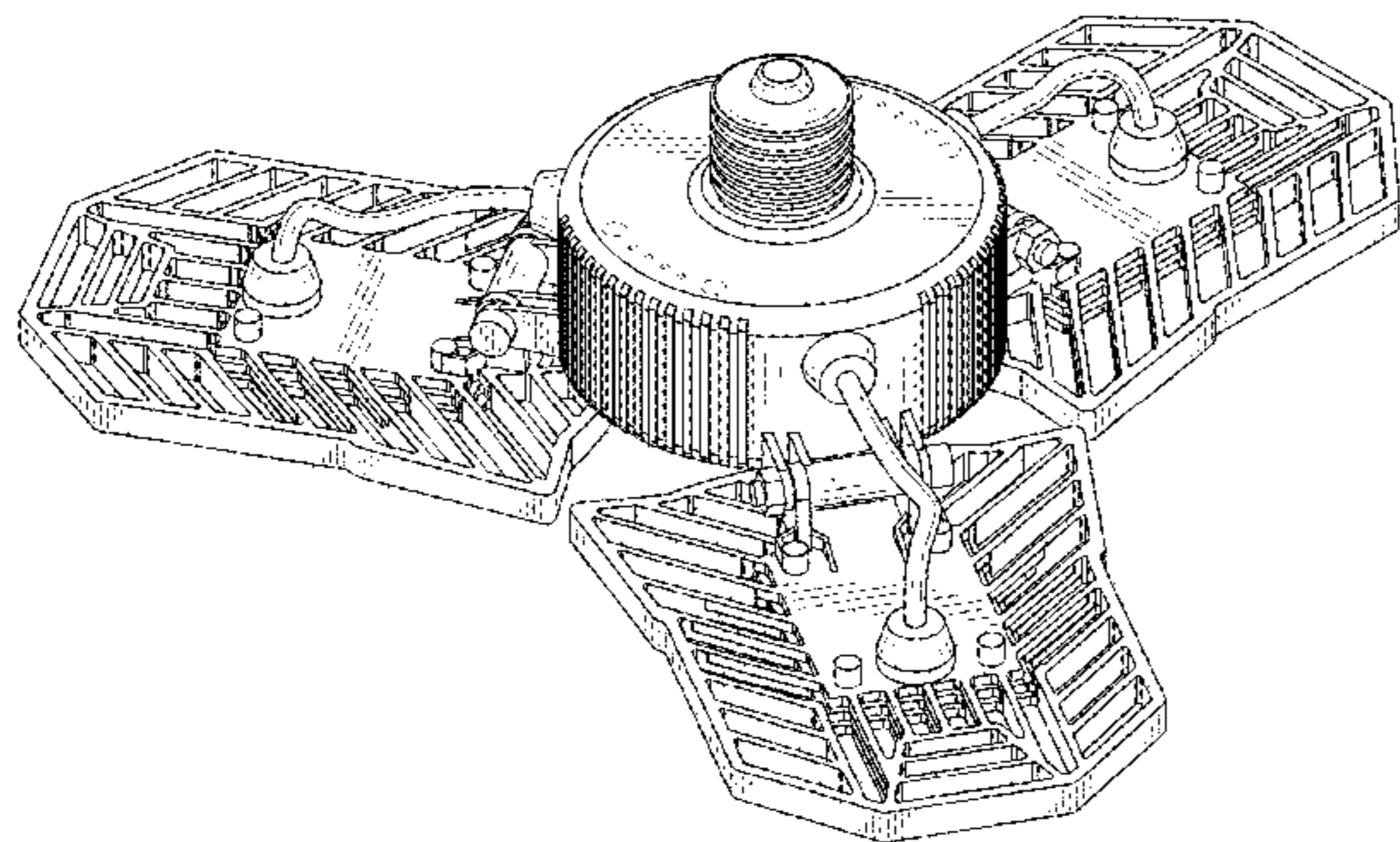
(57) **CLAIM**

The ornamental design for an LED ceiling light, as shown and described.

DESCRIPTION

FIG. 1 is a first perspective view of an LED ceiling light showing my design;
FIG. 2 is a second perspective view thereof;
FIG. 3 is a front view thereof;
FIG. 4 is a back view thereof;
FIG. 5 is a left side view thereof;
FIG. 6 is a right side view thereof;
FIG. 7 is a top view thereof; and,
FIG. 8 is a bottom view thereof.
The broken lines shown in the drawings depict portions of the LED ceiling light in which the design is embodied that form no part of the claimed design.

1 Claim, 8 Drawing Sheets



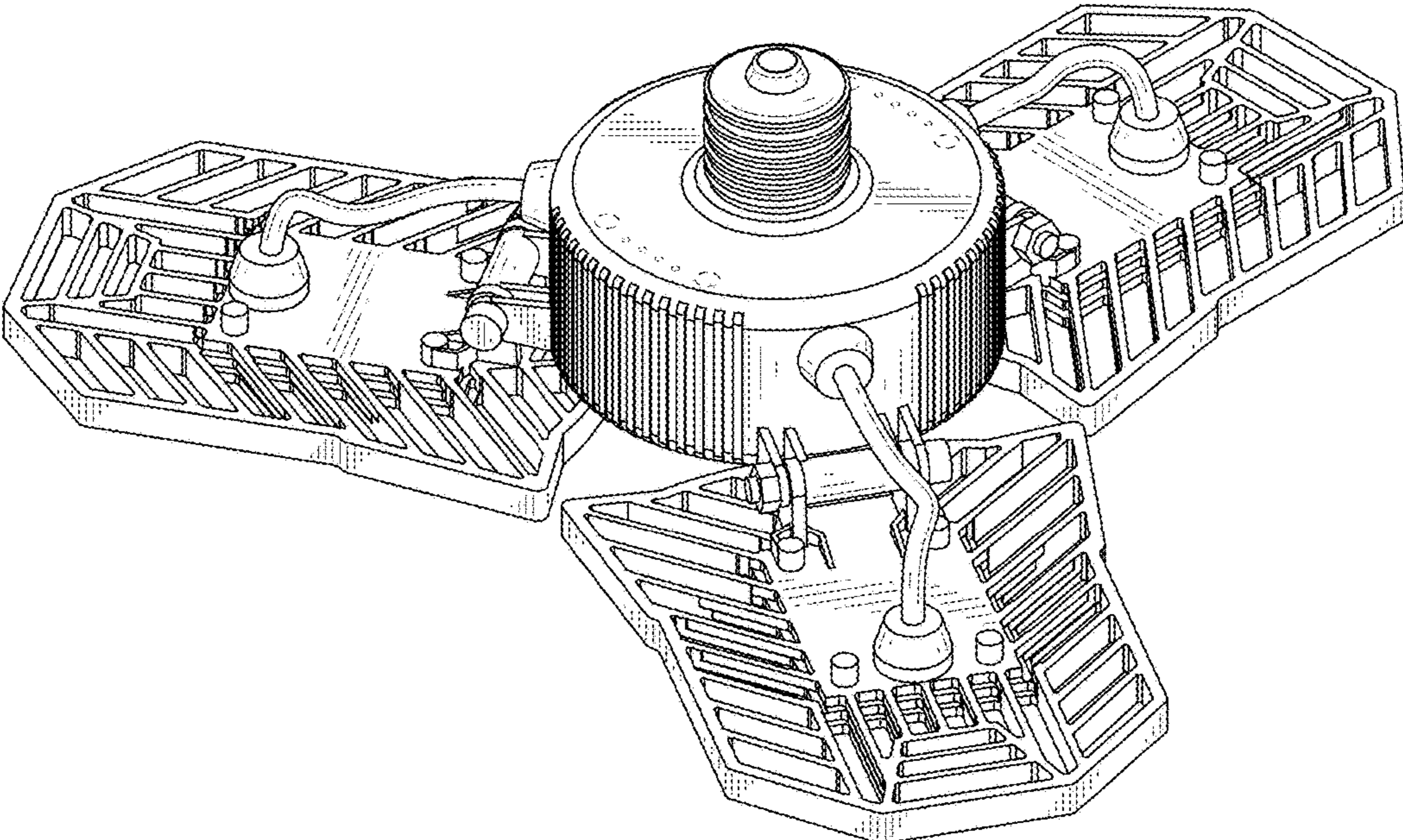


FIG. 1

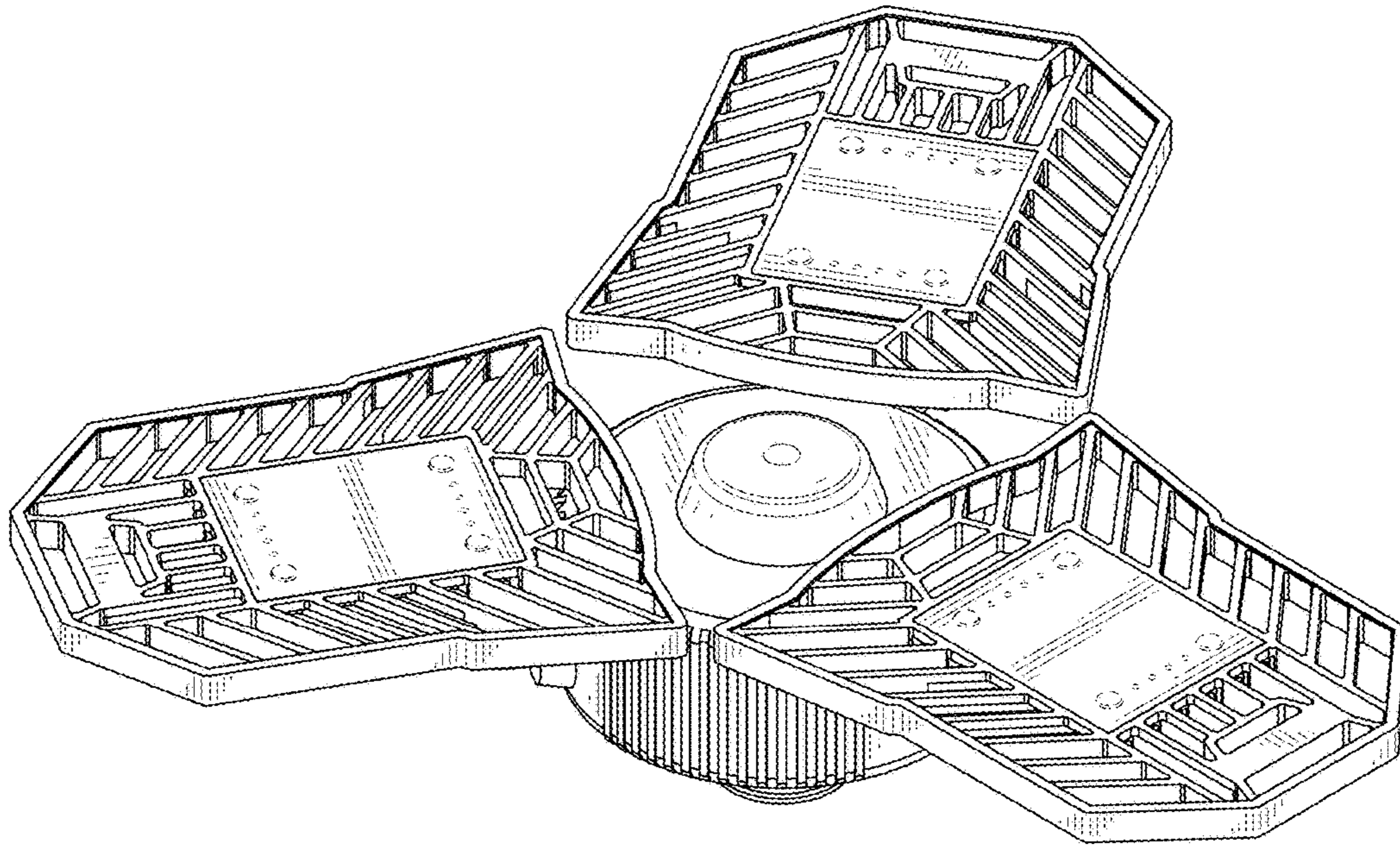


FIG. 2

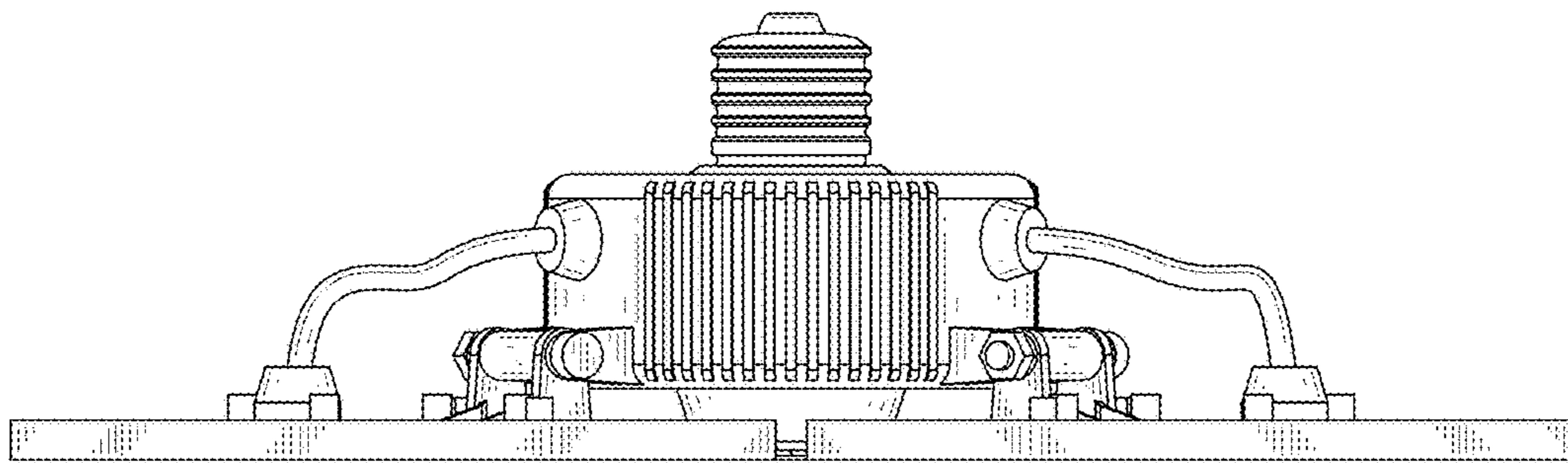


FIG. 3

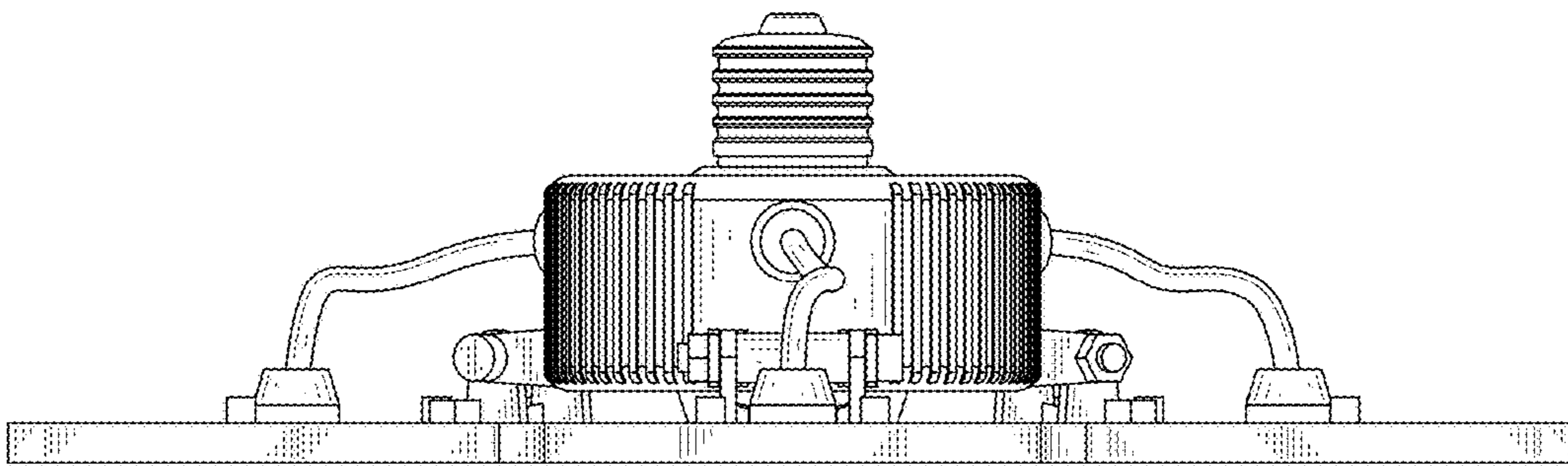


FIG. 4

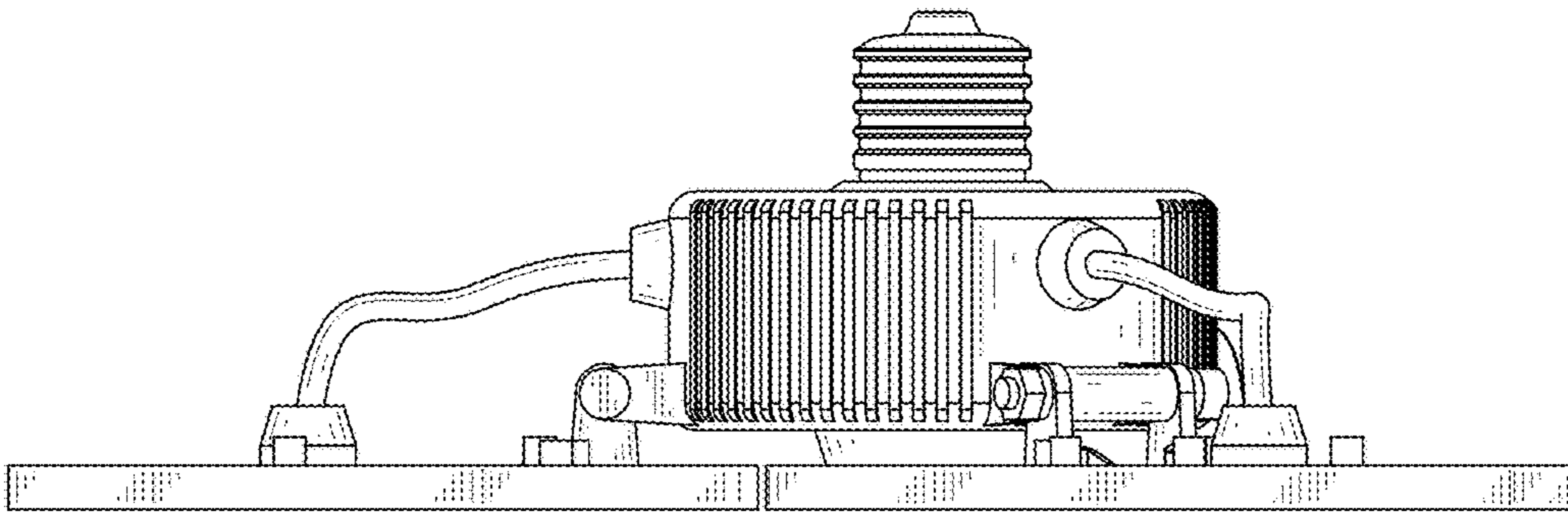


FIG. 5

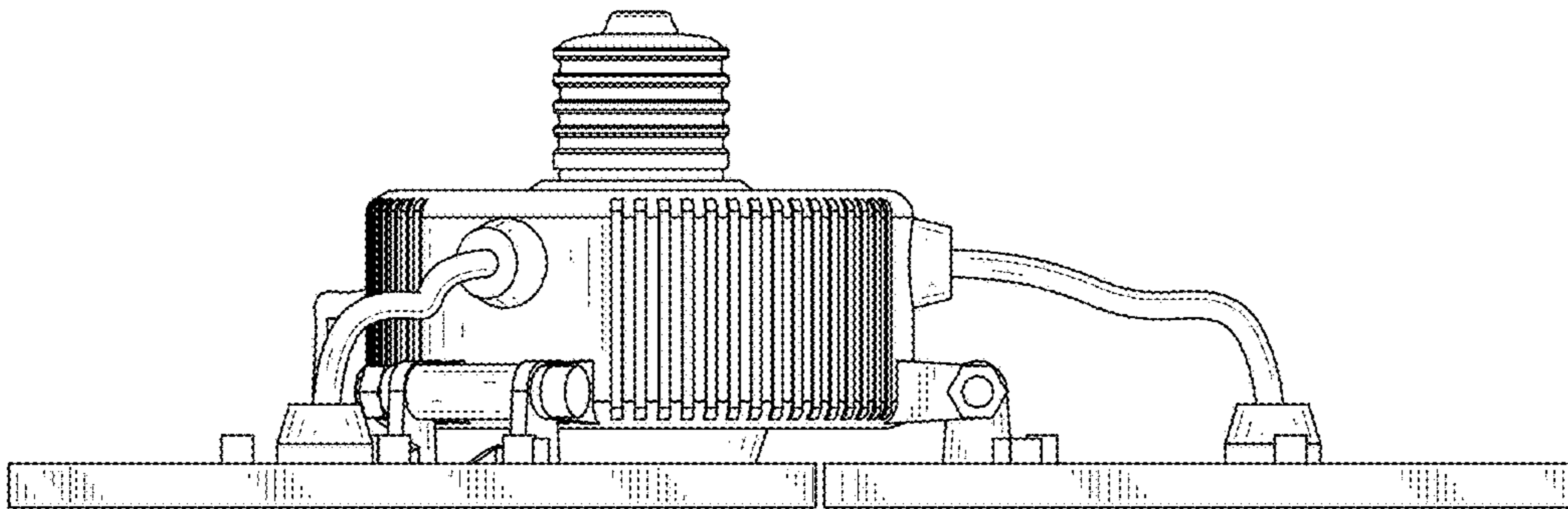


FIG. 6

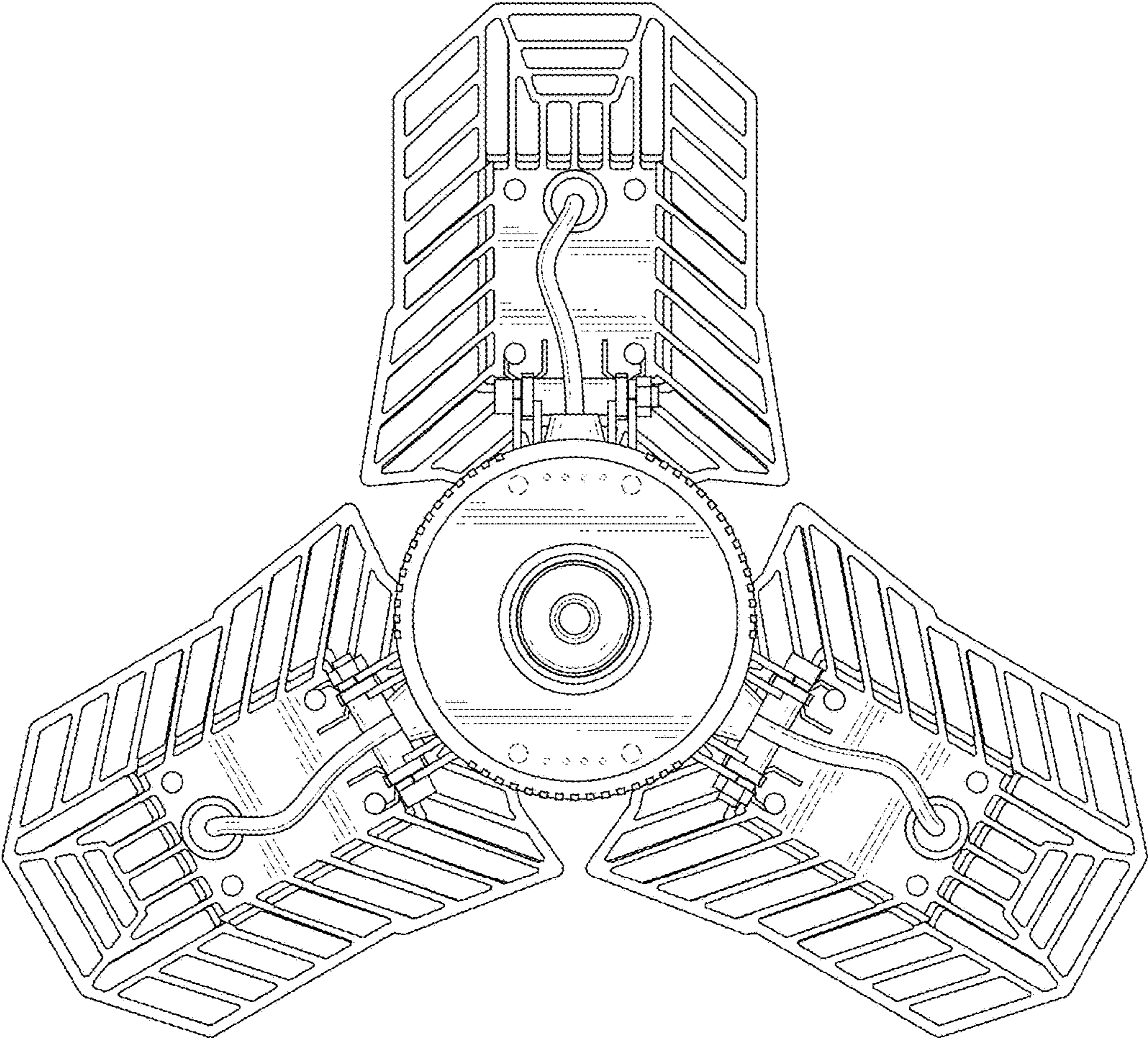


FIG. 7

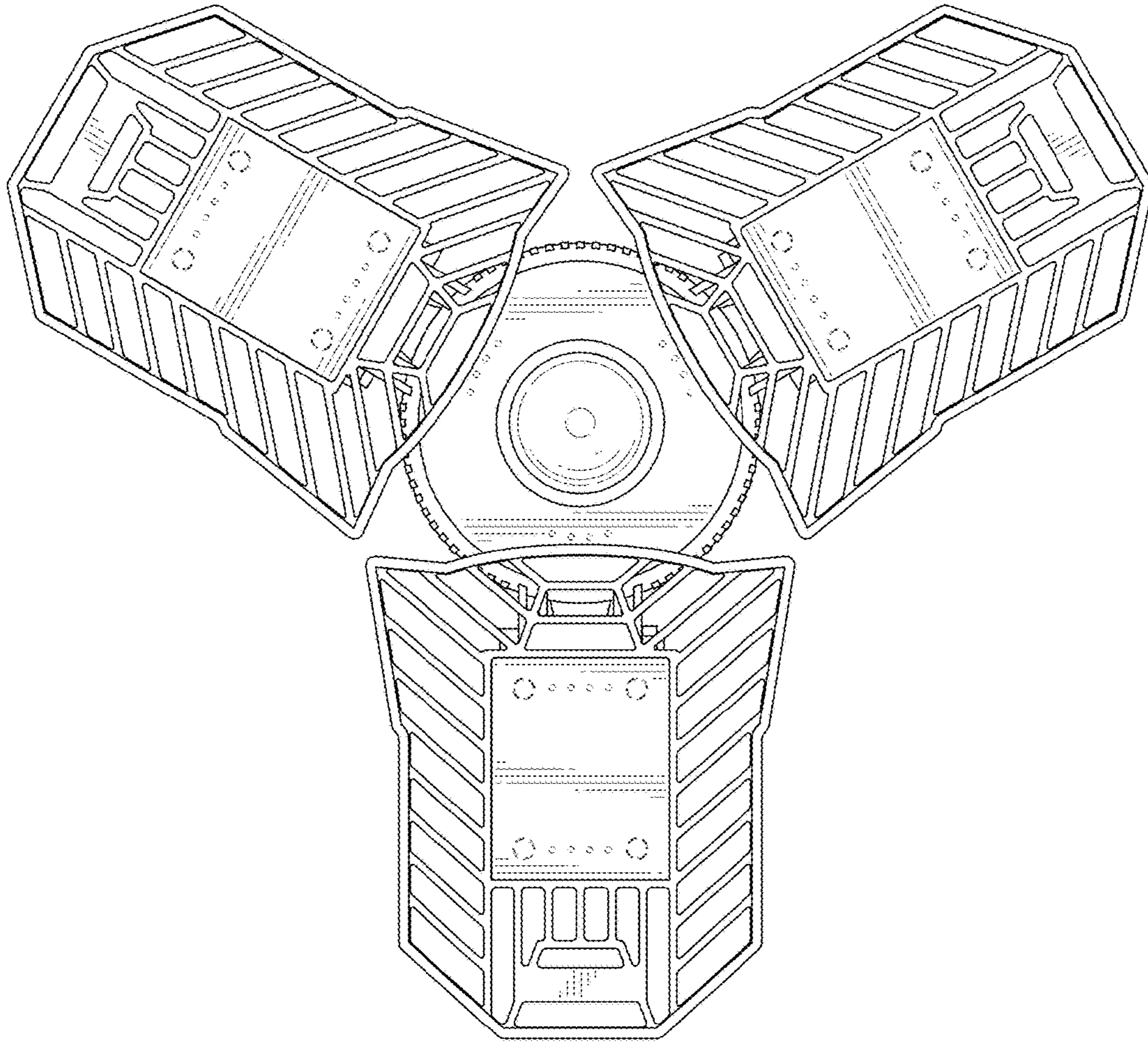


FIG. 8