



US00D861924S

(12) **United States Design Patent** (10) **Patent No.:** **US D861,924 S**
Qian (45) **Date of Patent:** **** Oct. 1, 2019**

(54) **LED LAMP WITH SPIRAL ELEMENT
 HAVING FIVE SPIRAL TURNS**

D558,904 S * 1/2008 Tsuruha D26/2
 D579,130 S * 10/2008 Hernandez, Jr. D26/2
 D646,808 S * 10/2011 Shi D26/2

(71) Applicant: **ICAN INC.**, San Marcos, CA (US)

* cited by examiner

(72) Inventor: **Tao Qian**, San Marcos, CA (US)

Primary Examiner — Marcus A Jackson

(73) Assignee: **ICAN Inc.**, San Marcos, CA (US)

(74) *Attorney, Agent, or Firm* — Knobbe Martens Olson & Bear LLP

(**) Term: **15 Years**

(57) **CLAIM**

(21) Appl. No.: **29/653,503**

The ornamental design for an LED lamp with spiral element having five spiral turns, as shown and described.

(22) Filed: **Jun. 15, 2018**

(51) **LOC (12) Cl.** **26-04**

(52) **U.S. Cl.**
 USPC **D26/2**

(58) **Field of Classification Search**
 USPC D26/1-4
 CPC H01R 5/00; H01R 13/46; H01R 13/514;
 H01R 31/048; H01R 31/02; H01J 5/00;
 H01J 1/02; H01J 5/16; H01J 15/00; H01J
 5/48; H01J 5/50; H01J 19/54; F21V 5/00;
 F21K 9/00; F21K 13/00

See application file for complete search history.

(56) **References Cited**

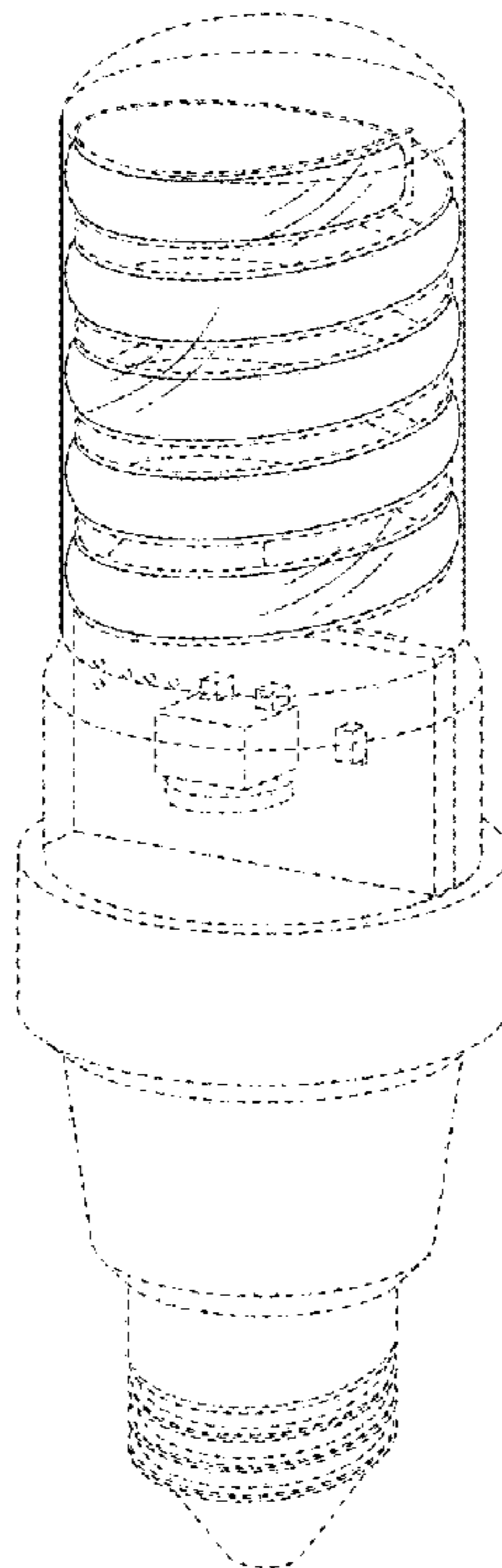
U.S. PATENT DOCUMENTS

D543,288 S * 5/2007 Bembridge D26/2
 D544,109 S * 6/2007 Tsuruha D26/2

DESCRIPTION

FIG. 1 is a perspective view of an LED lamp with spiral element having five spiral turns.
 FIG. 2 is a front view of the LED lamp with spiral element having five spiral turns.
 FIG. 3 is a rear view of the LED lamp with spiral element having five spiral turns.
 FIG. 4 is a left side view of the LED lamp with spiral element having five spiral turns.
 FIG. 5 is a right side view of the LED lamp with spiral element having five spiral turns.
 FIG. 6 is a top plan view of the LED lamp with spiral element having five spiral turns; and,
 FIG. 7 is a bottom plan view of the LED lamp with spiral element having five spiral turns.

1 Claim, 4 Drawing Sheets



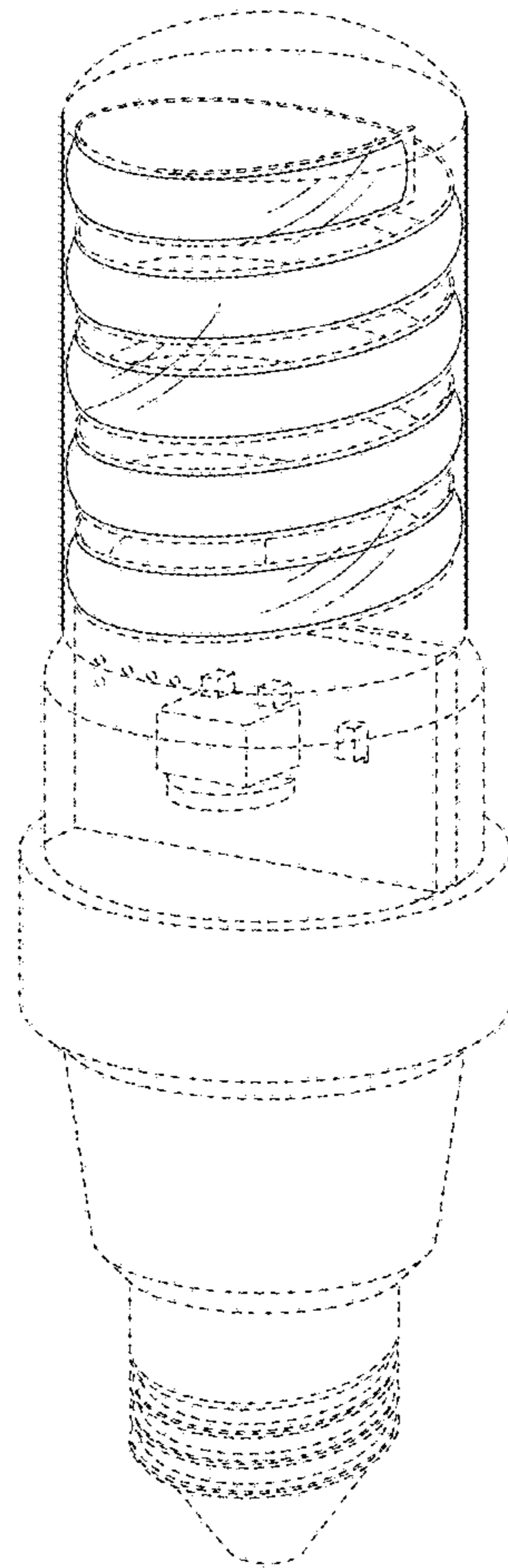


FIG. 1

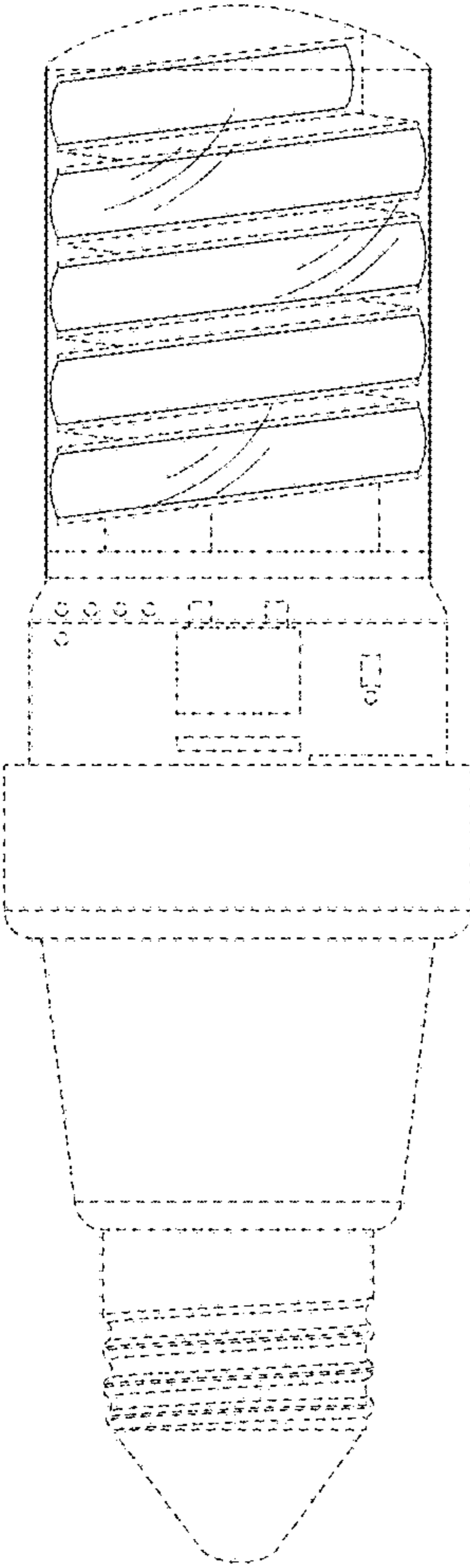


FIG. 2

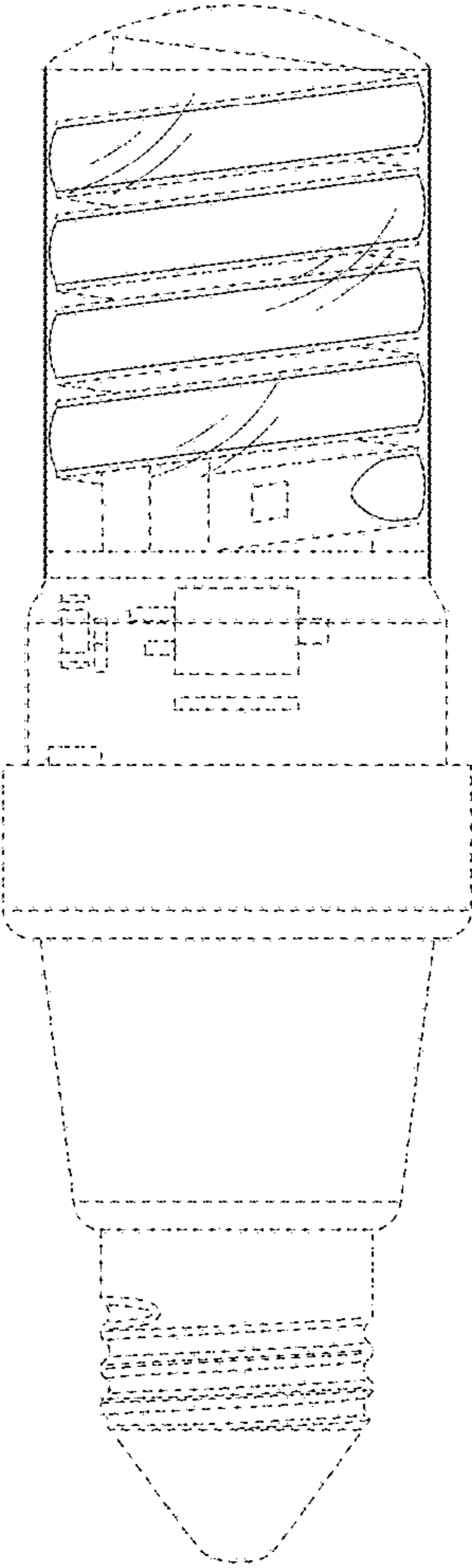


FIG. 3

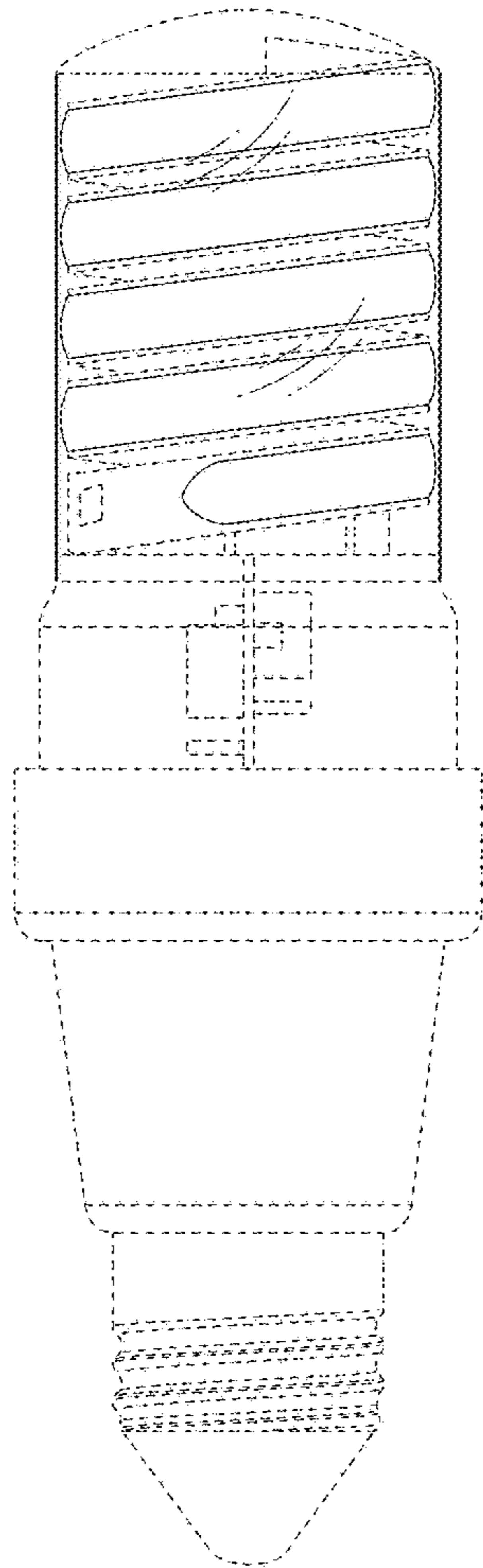


FIG. 4

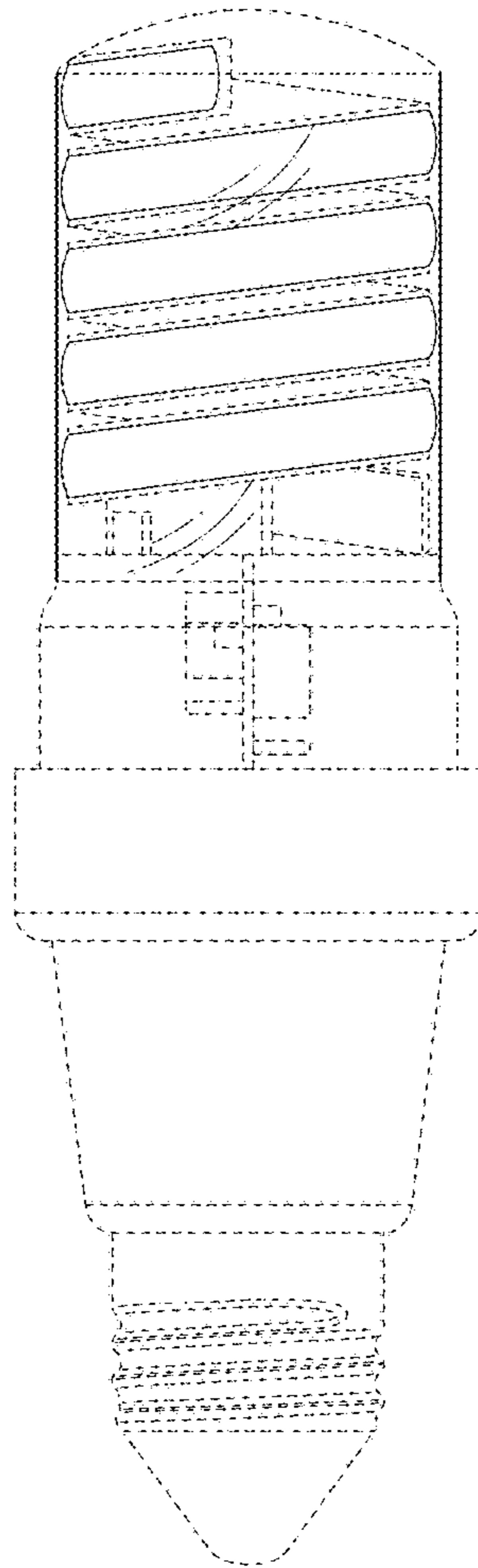


FIG. 5

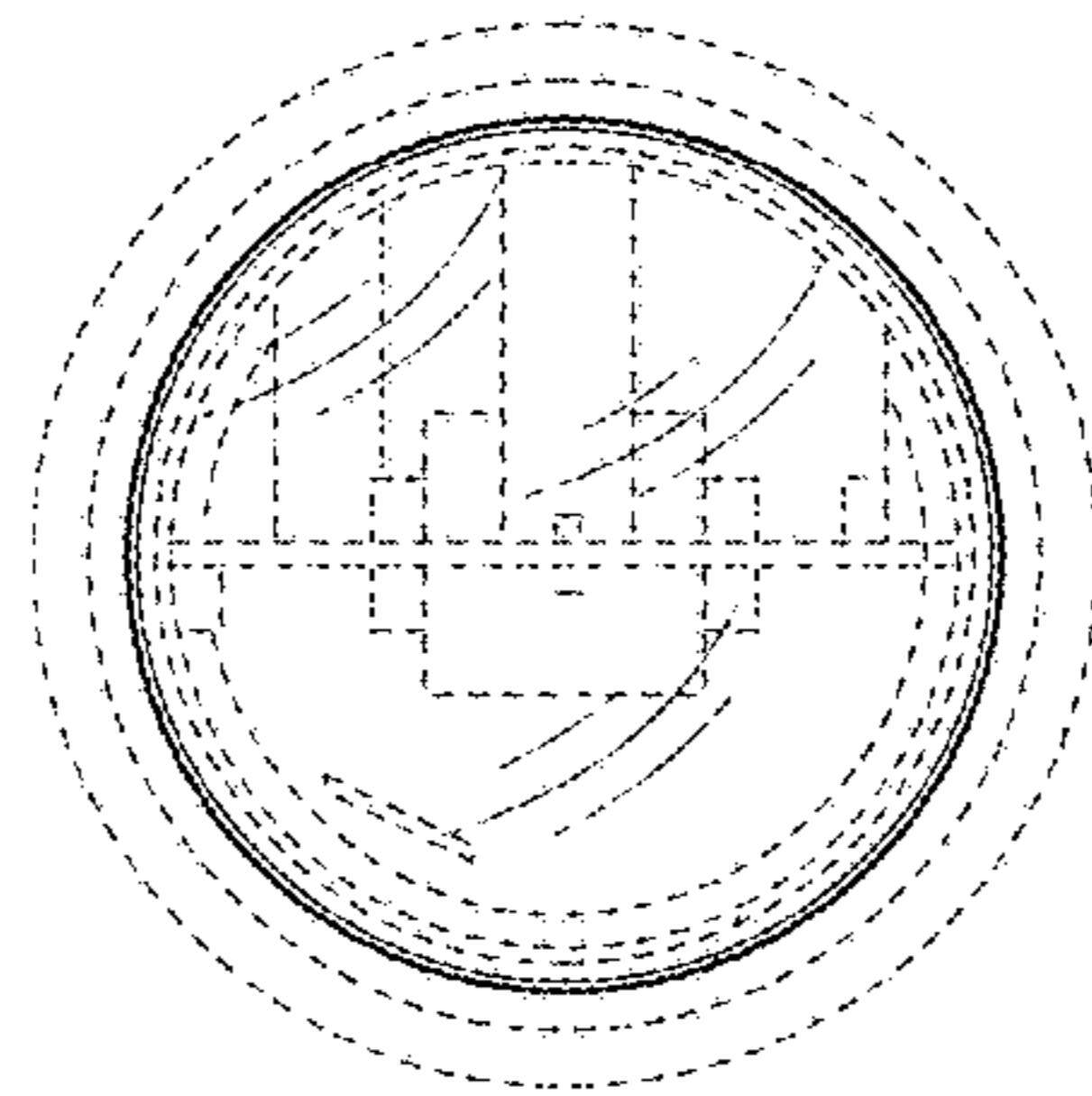


FIG. 6

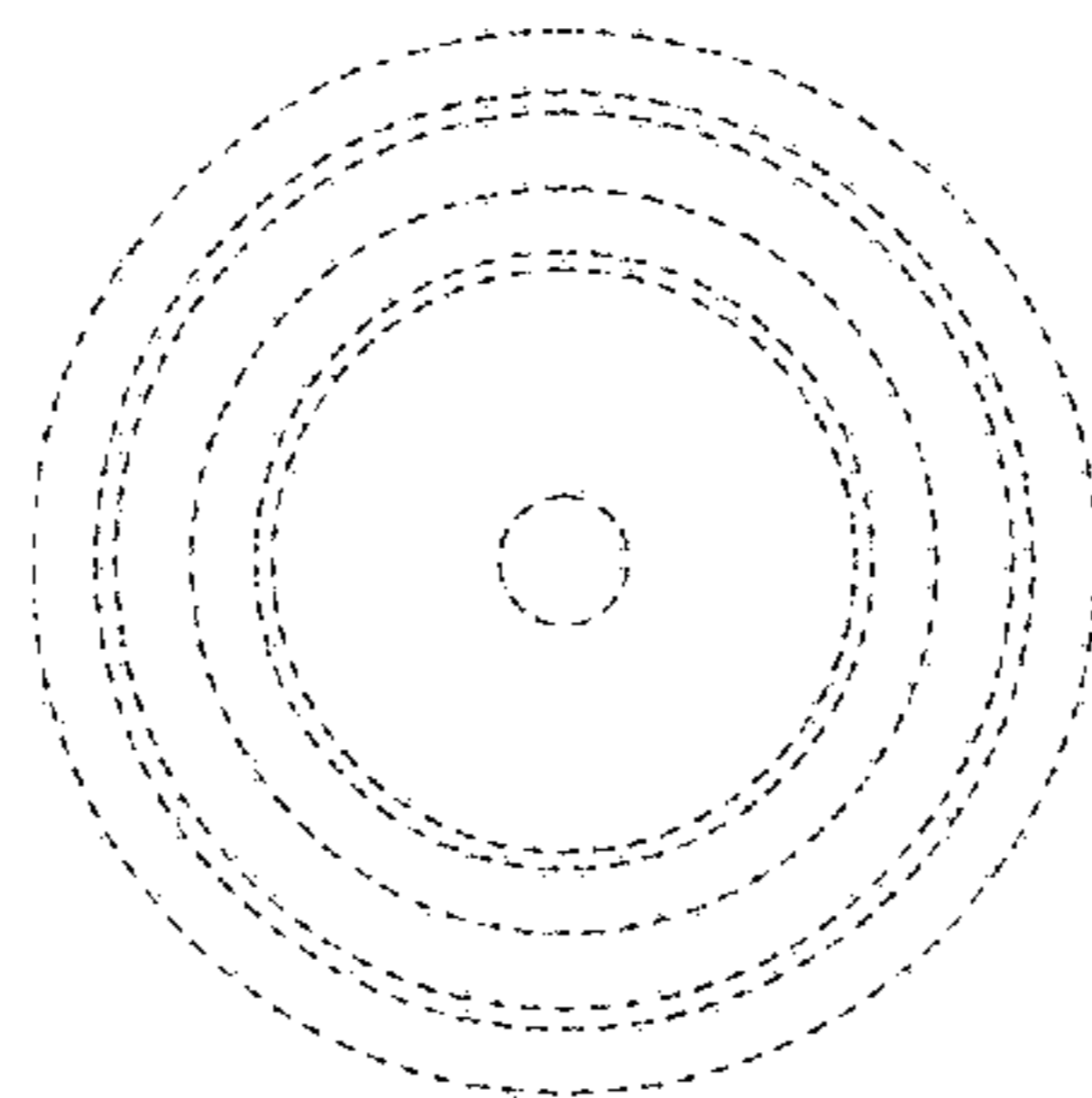


FIG. 7