

US00D861923S

(12) **United States Design Patent** (10) **Patent No.:** **US D861,923 S**
Luo (45) **Date of Patent:** **** Oct. 1, 2019**

(54) **LAMP**

(71) Applicant: **Yu Luo**, Shenzhen (CN)

(72) Inventor: **Yu Luo**, Shenzhen (CN)

(**) Term: **15 Years**

(21) Appl. No.: **29/641,469**

(22) Filed: **Mar. 22, 2018**

(51) **LOC (12) Cl.** **26-04**

(52) **U.S. Cl.**
USPC **D26/2**

(58) **Field of Classification Search**
USPC D26/1-4
CPC H01R 5/00; H01R 13/46; H01R 13/514;
H01R 31/048; H01R 31/02; H01J 5/00;
H01J 5/16; H01J 1/02; H01J 15/00; H01J
5/48; H01J 5/50; H01J 19/54; F21V 5/00;
F21K 9/00; F21K 13/00
See application file for complete search history.

(56) **References Cited**

U.S. PATENT DOCUMENTS

D499,820 S * 12/2004 Foo D26/2
D508,575 S * 8/2005 Buschmann D26/2

D528,673 S * 9/2006 Maxik D26/2
D534,665 S * 1/2007 Egawa D26/2
D574,091 S * 7/2008 Sun D26/2
D589,175 S * 3/2009 Xue D26/2
D605,786 S * 12/2009 Lim D26/2

* cited by examiner

Primary Examiner — Marcus A Jackson

(74) *Attorney, Agent, or Firm* — Rosenberg, Klein & Lee

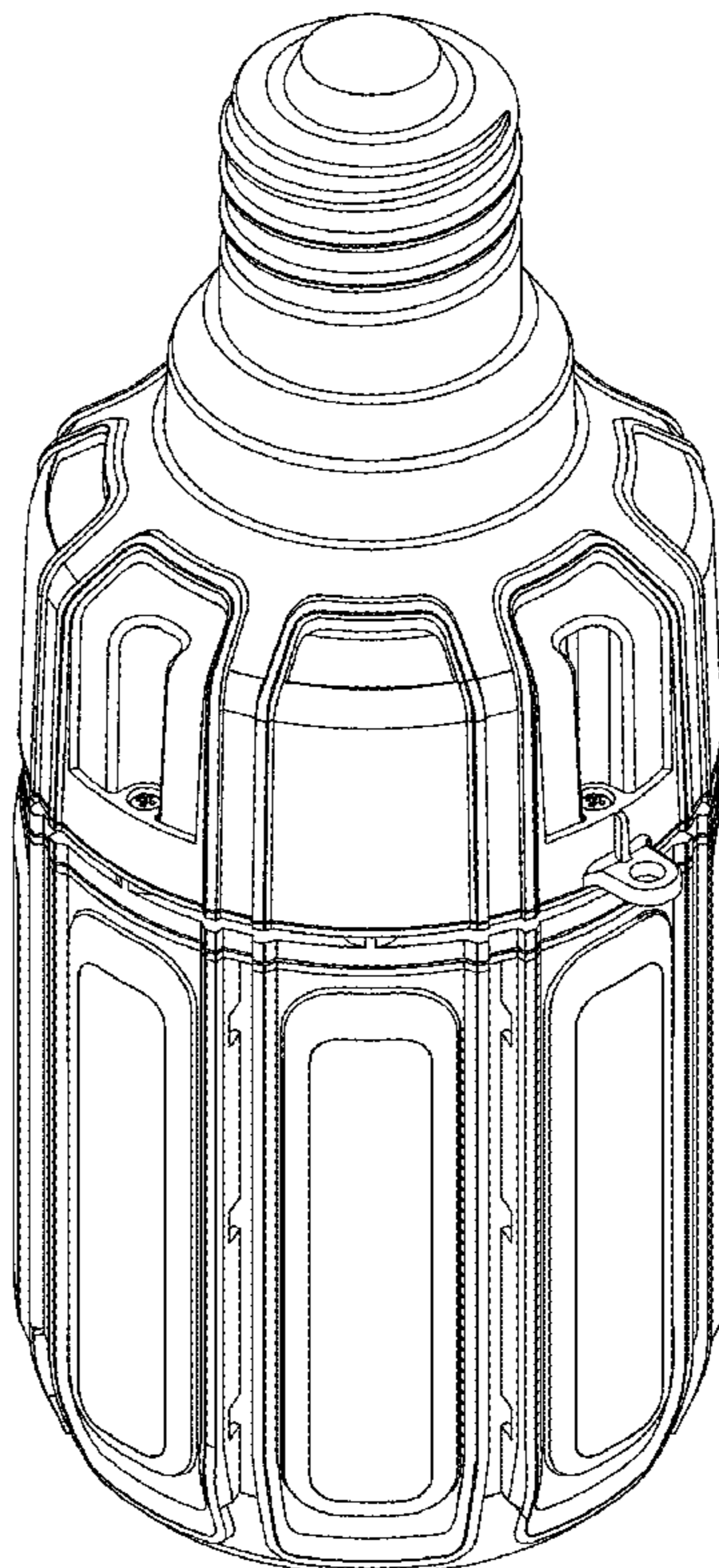
(57) **CLAIM**

The ornamental design for a lamp, as shown and described.

DESCRIPTION

FIG. 1 is a front elevational view thereof;
FIG. 2 is a rear elevational view thereof;
FIG. 3 is a left-side elevational view thereof;
FIG. 4 is a right-side elevational view thereof;
FIG. 5 is a top plan view thereof;
FIG. 6 is a bottom plan view thereof; and,
FIG. 7 is a front, top and left side elevational view of a lamp
figure showing my new design.

1 Claim, 7 Drawing Sheets



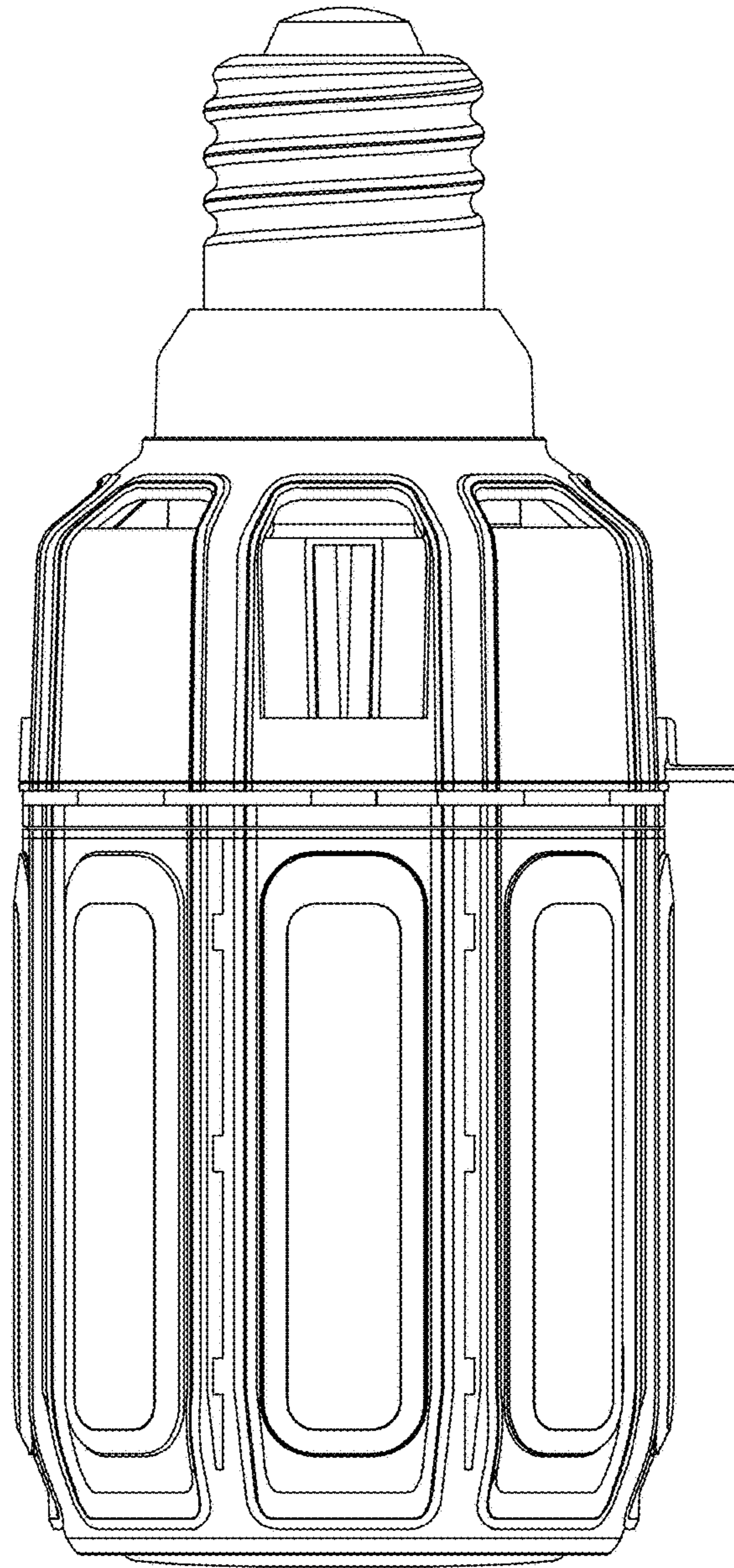


FIG. 1

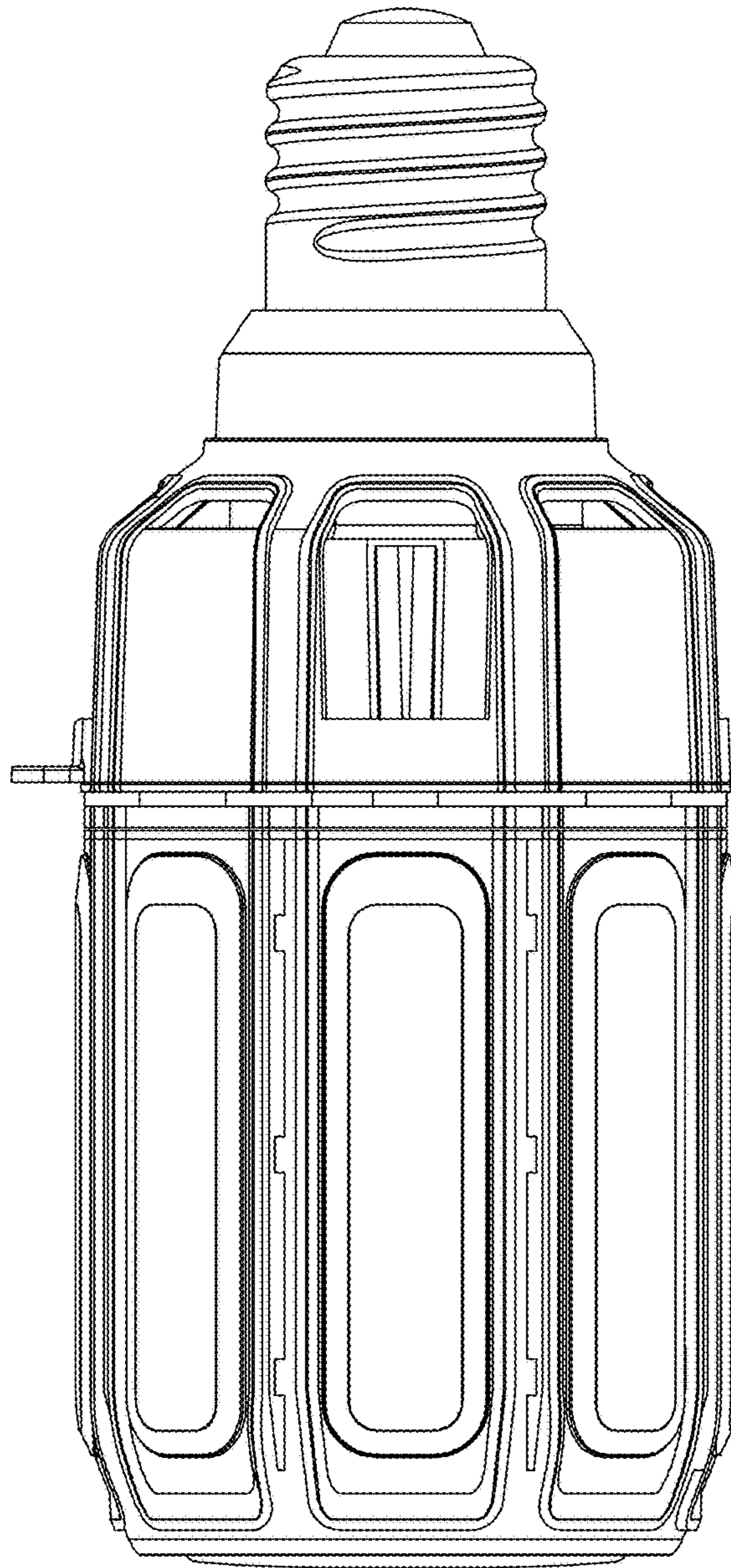


FIG. 2

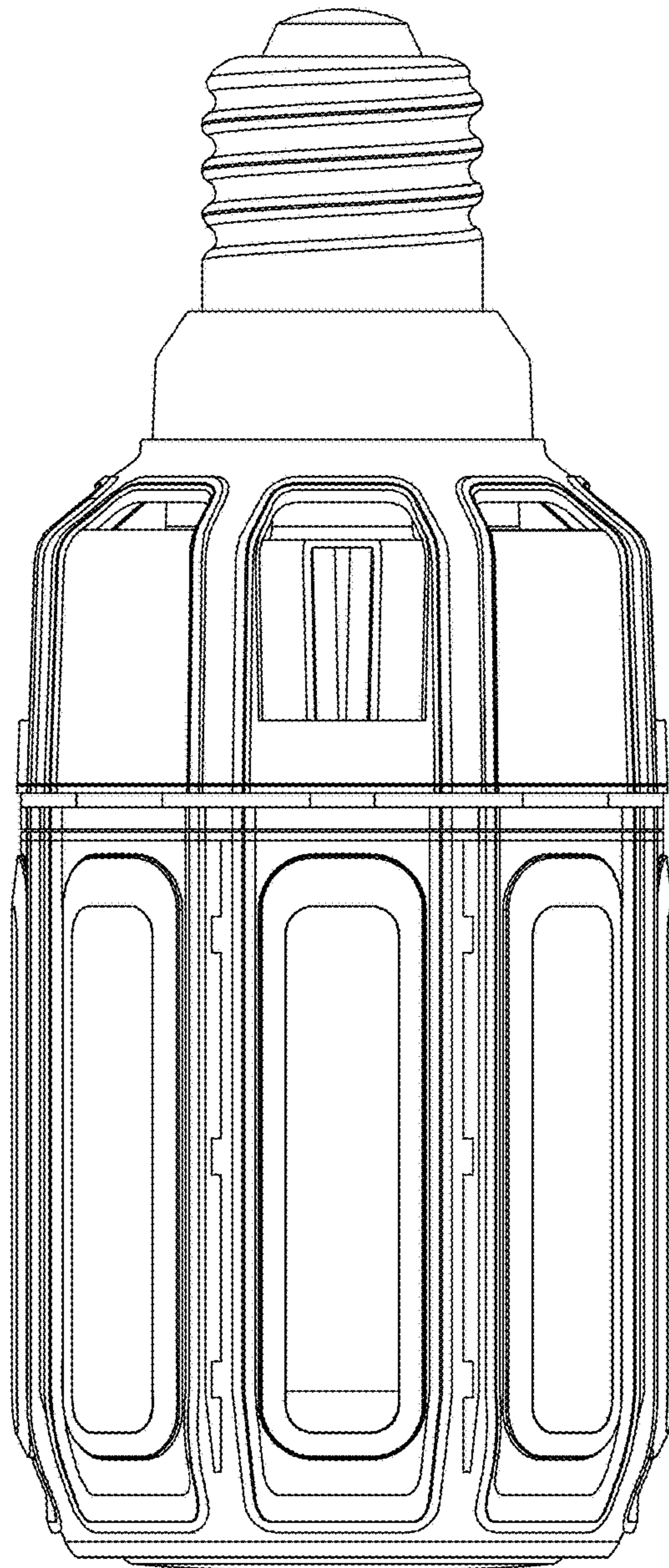


FIG. 3

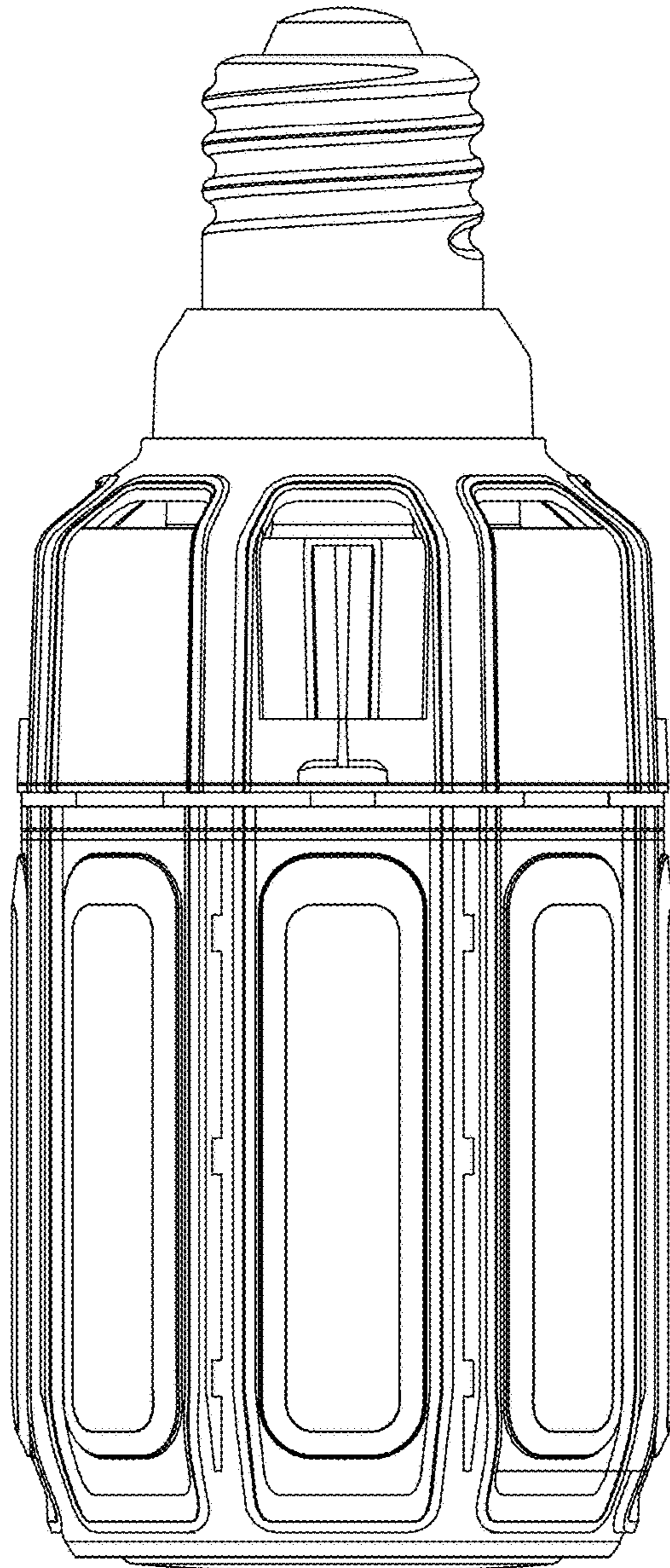


FIG. 4

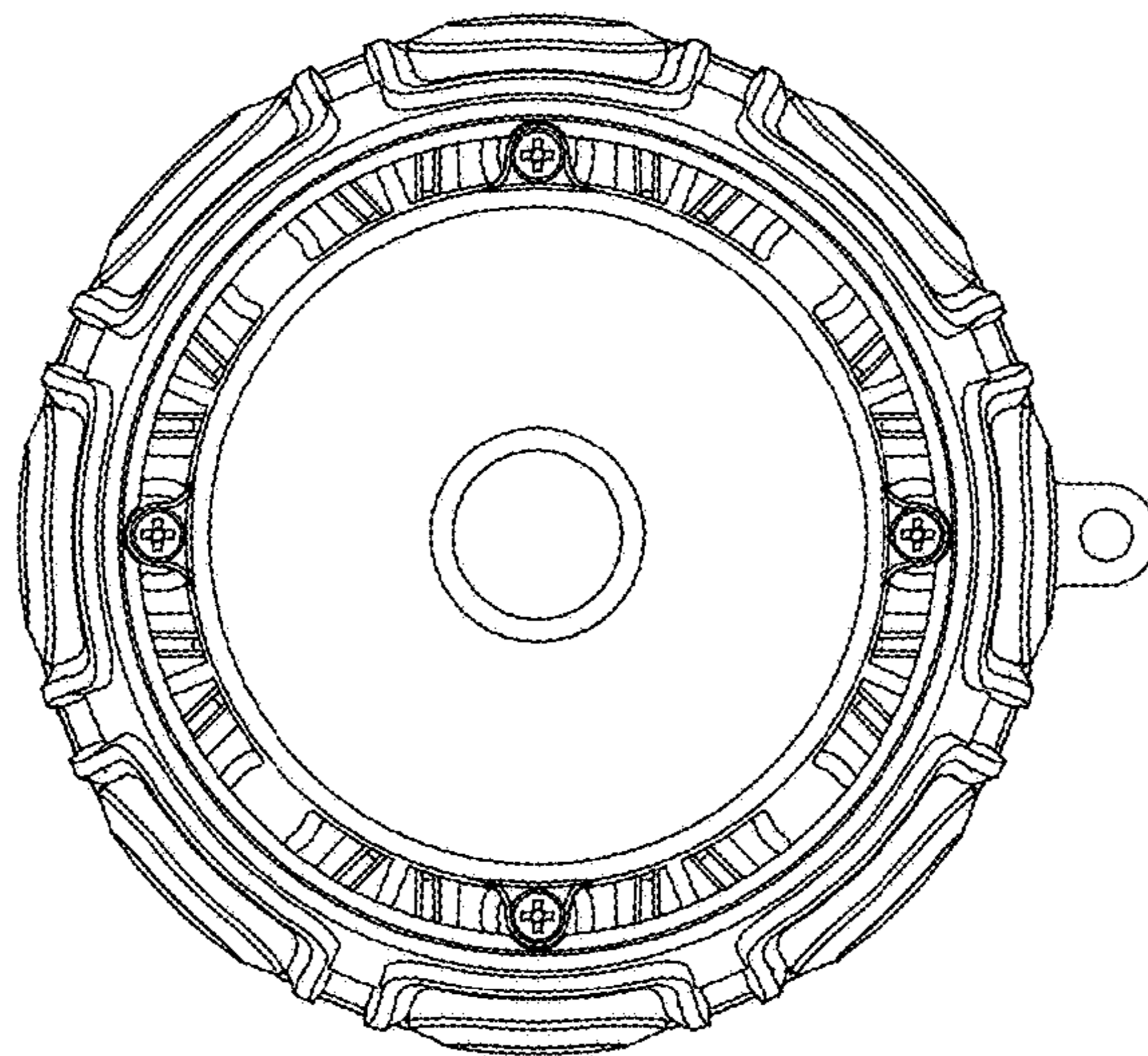


FIG. 5

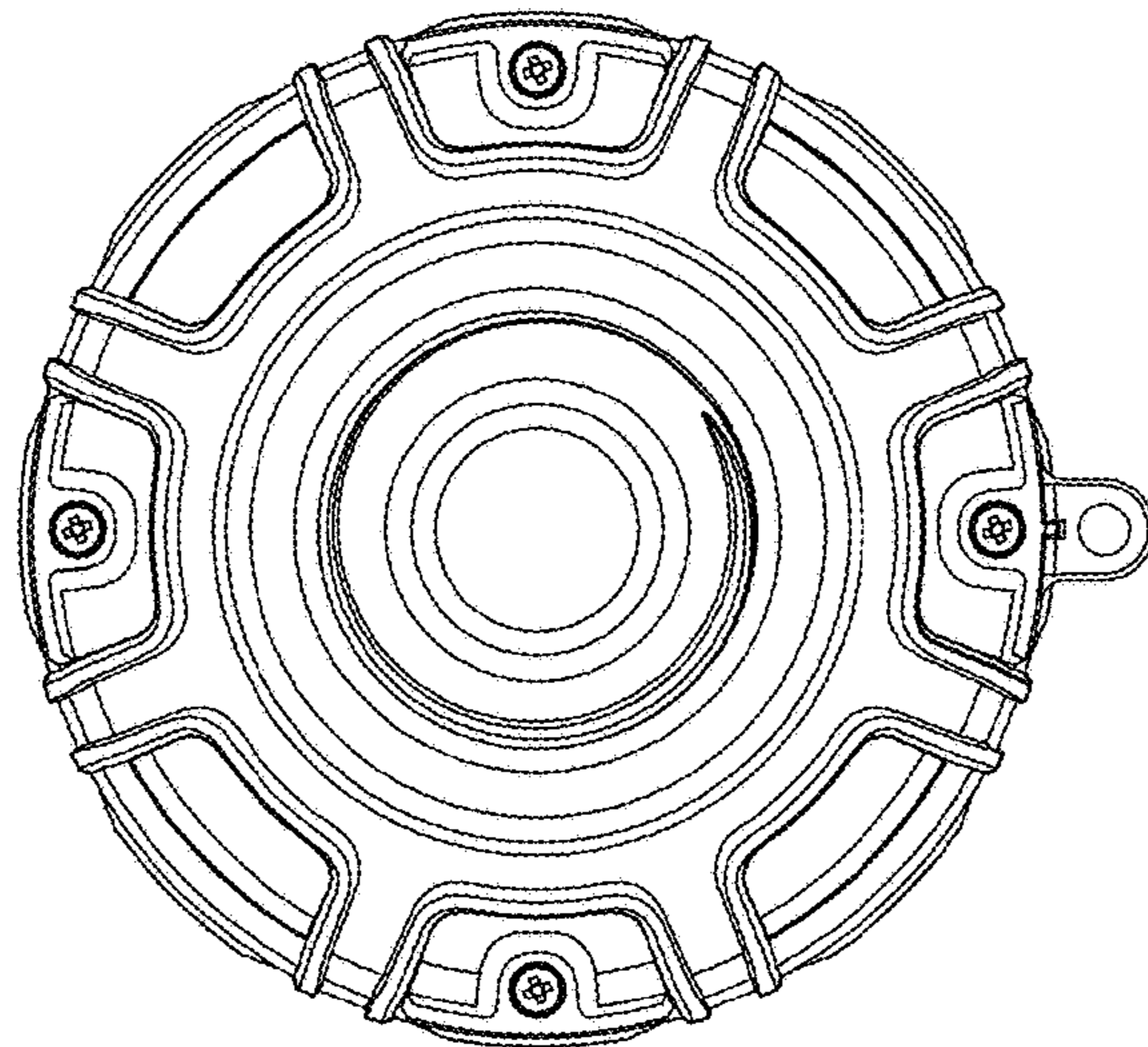


FIG. 6

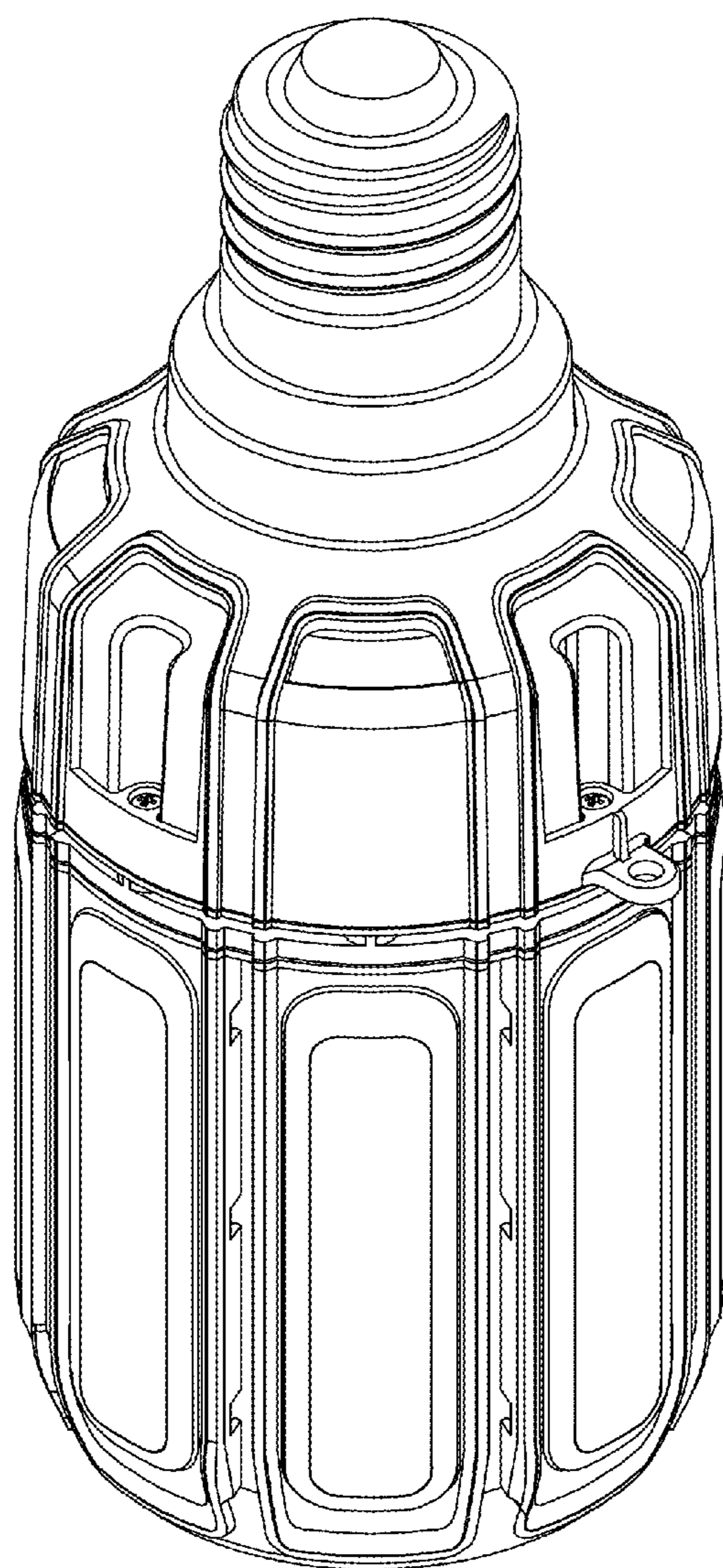


FIG. 7