



US00D861922S

(12) **United States Design Patent**
Kang

(10) **Patent No.:** **US D861,922 S**
(45) **Date of Patent:** **** Oct. 1, 2019**

(54) **LED MODULE CASE**

(71) Applicant: **Robby Hoon Kang**, Irvine, CA (US)

(72) Inventor: **Robby Hoon Kang**, Irvine, CA (US)

(**) Term: **15 Years**

(21) Appl. No.: **29/574,363**

(22) Filed: **Oct. 11, 2016**

(51) **LOC (12) Cl.** **26-04**

(52) **U.S. Cl.**
USPC **D26/1**

(58) **Field of Classification Search**

USPC D26/1-4; D13/180; 362/218, 294, 391
CPC F21K 9/00; F21K 9/13; F21K 5/04; F21K
5/02; F21V 5/007; F21V 5/02

See application file for complete search history.

(56) **References Cited**

U.S. PATENT DOCUMENTS

D715,461 S * 10/2014 Chen D26/1

D754,618 S * 4/2016 Freeman D13/180

* cited by examiner

Primary Examiner — Marcus A Jackson

(57) **CLAIM**

The ornamental design for a LED module case, as shown and described.

DESCRIPTION

FIG. 1 is a isometric view of a LED module case showing my new design;

FIG. 2 is a top plan view thereof;

FIG. 3 is a bottom plan view thereof;

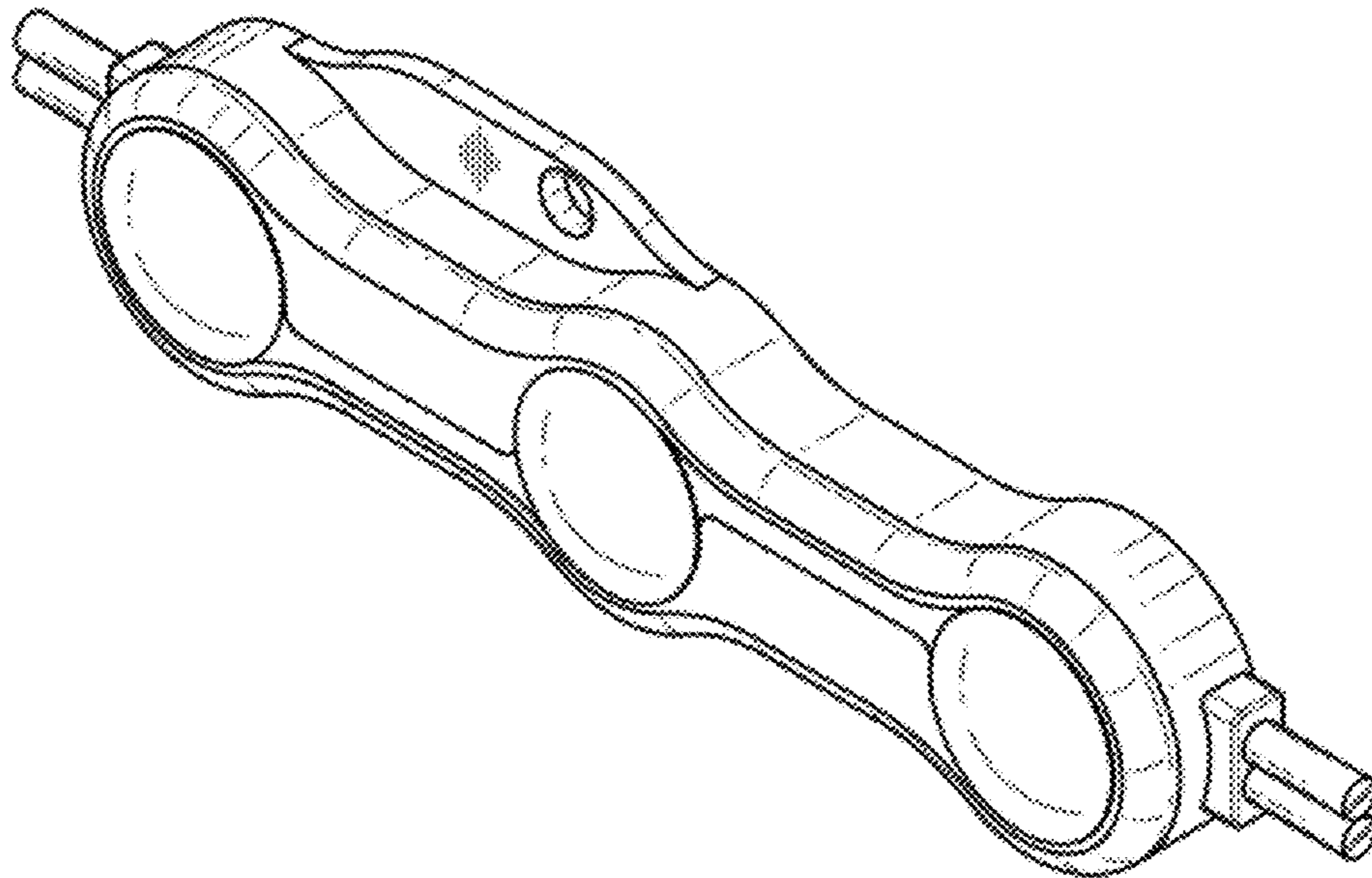
FIG. 4 is a rear side elevation view thereof;

FIG. 5 is a front side elevation view thereof;

FIG. 6 is a left side elevation view thereof; and,

FIG. 7 is a right side elevation view of thereof.

1 Claim, 3 Drawing Sheets



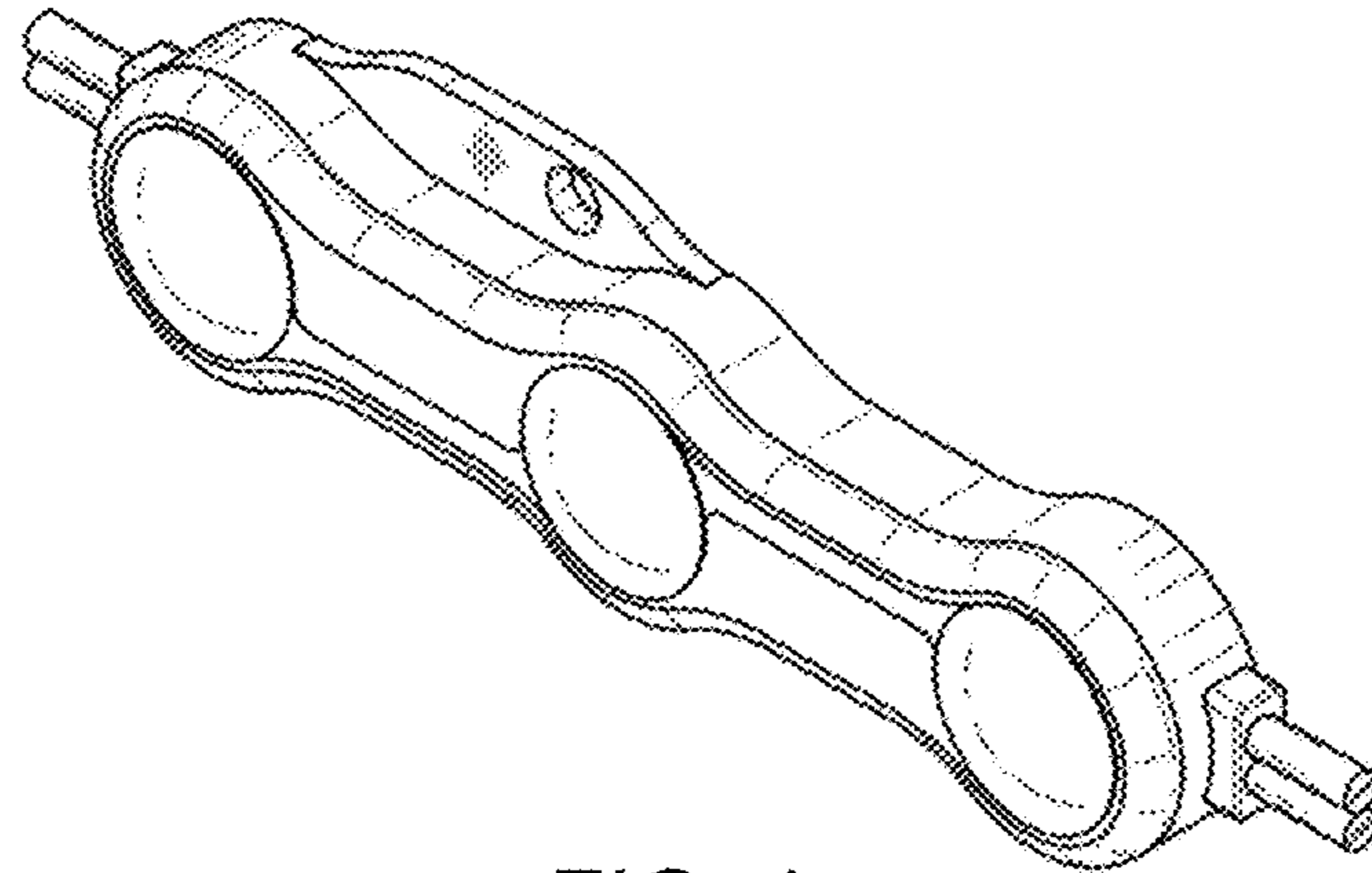


FIG. 1

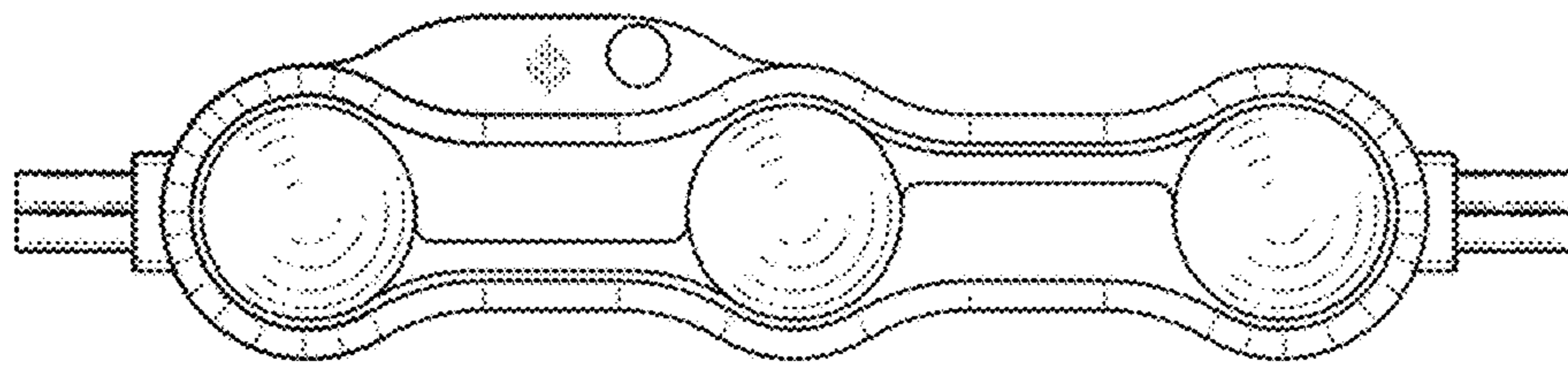


FIG. 2

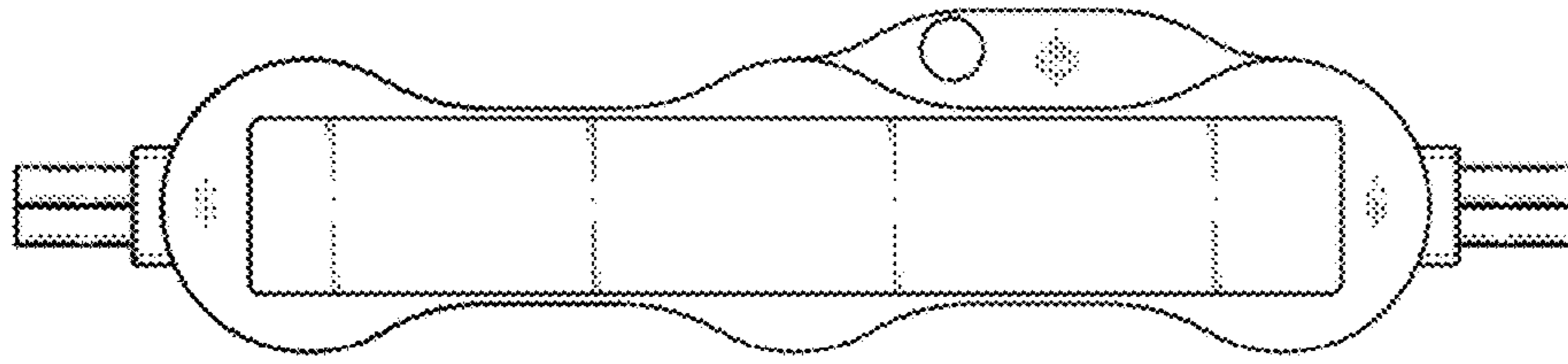


FIG. 3



FIG. 4

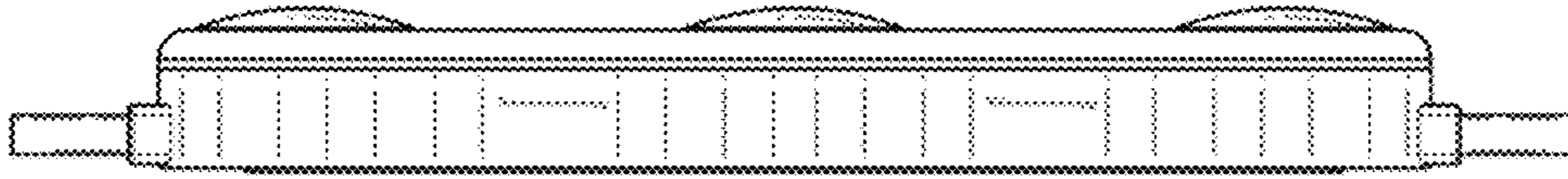


FIG. 5

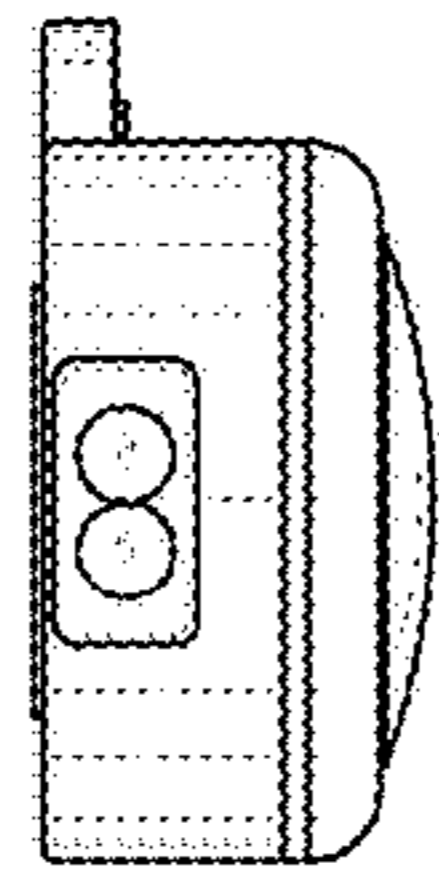


FIG. 6

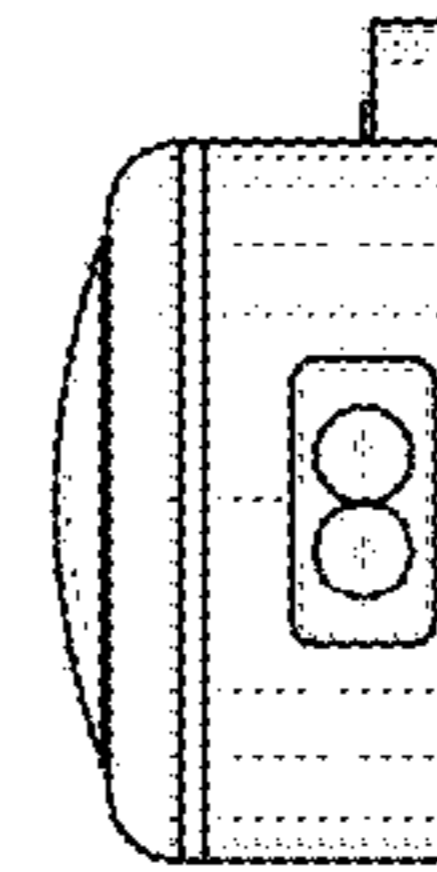


FIG. 7