



US00D861919S

(12) **United States Design Patent**
Mannhardt

(10) **Patent No.:** **US D861,919 S**

(45) **Date of Patent:** **** Oct. 1, 2019**

- (54) **DOOR FRAME**
- (71) Applicant: **Mann Made Ltd.**, Kitchener (CA)
- (72) Inventor: **Eric Mannhardt**, Kitchener (CA)
- (73) Assignee: **MANN MADE LTD.**, Kitchener (CA)

(**) Term: **15 Years**

(21) Appl. No.: **29/624,256**

(22) Filed: **Oct. 31, 2017**

(51) **LOC (12) Cl.** **25-01**

(52) **U.S. Cl.**
USPC **D25/121**

(58) **Field of Classification Search**
USPC D25/119–126, 136, 137, 164, 199;
D20/43, 44; D26/138
CPC ... E06B 1/02; E06B 1/04; E06B 1/045; E06B
1/12; E06B 1/14; E06B 1/26; E06B 1/28;
E06B 1/52; E06B 1/524; E06B 1/34;
E06B 1/342

See application file for complete search history.

(56) **References Cited**

U.S. PATENT DOCUMENTS

D169,441 S *	4/1953	Huddles	D25/123
3,303,581 A *	2/1967	Levinson	E06B 3/9684
			D25/121
3,604,155 A *	9/1971	Brown	E06B 1/524
			52/204.1
D228,179 S *	8/1973	LaBorde	D25/121
4,005,558 A *	2/1977	Barrison	E06B 1/12
			D25/60
4,015,382 A *	4/1977	Noyes	E06B 1/02
			D25/60
4,034,514 A *	7/1977	Cecil	E06B 1/52
			52/213
D251,451 S *	3/1979	Toder	D25/121
4,442,644 A *	4/1984	Jukes	E06B 1/12
			52/213

4,594,831 A *	6/1986	Winyard	E06B 1/045
			52/212
4,674,248 A *	6/1987	Hall	E06B 1/12
			52/211
D313,858 S *	1/1991	Whitney	D25/119
D324,506 S *	3/1992	Phillips	D12/223
5,154,019 A *	10/1992	Day	E06B 1/52
			52/211

(Continued)

Primary Examiner — Cynthia Ramirez

Assistant Examiner — L. Martinez

(74) *Attorney, Agent, or Firm* — Own Innovation

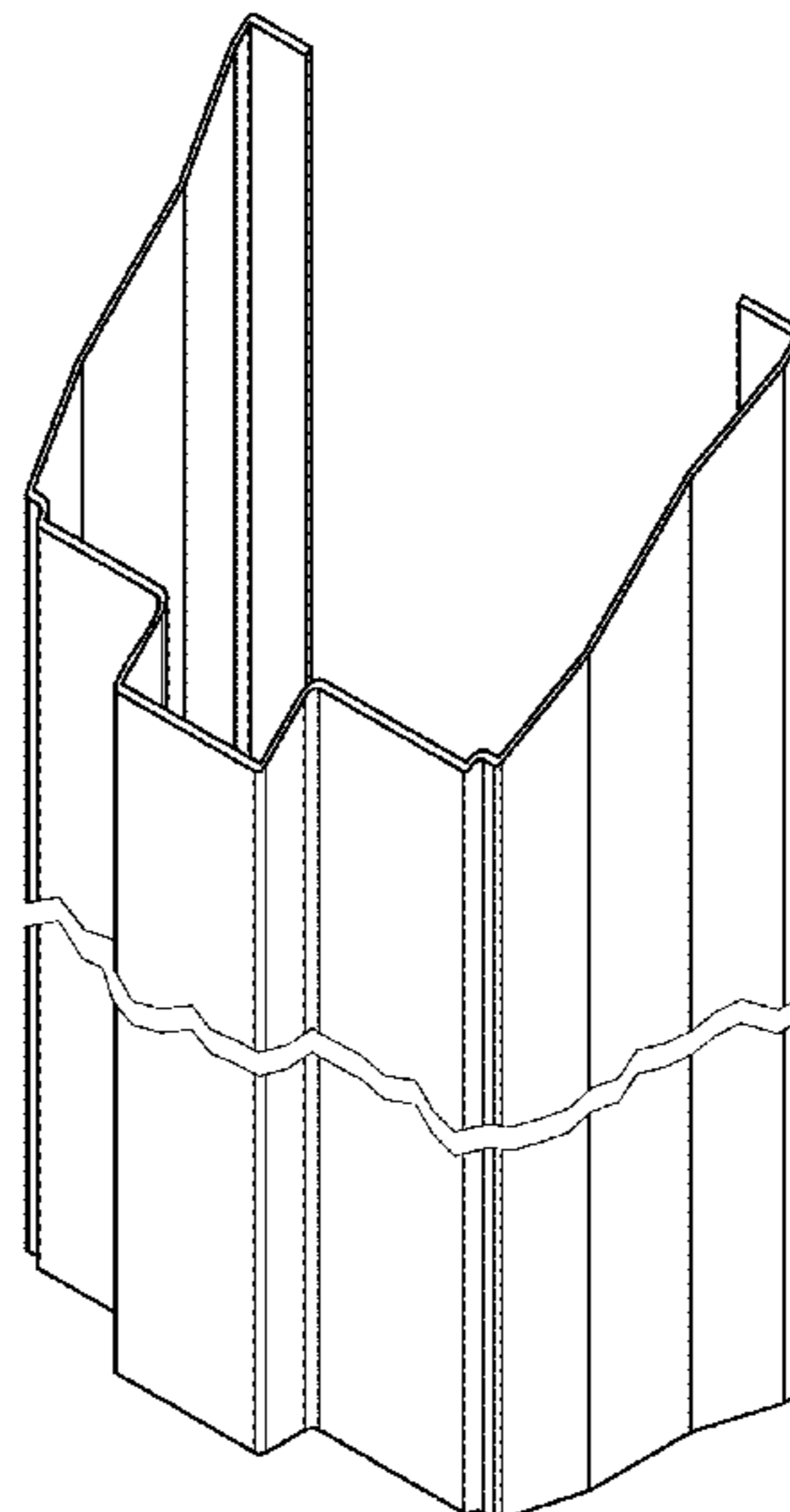
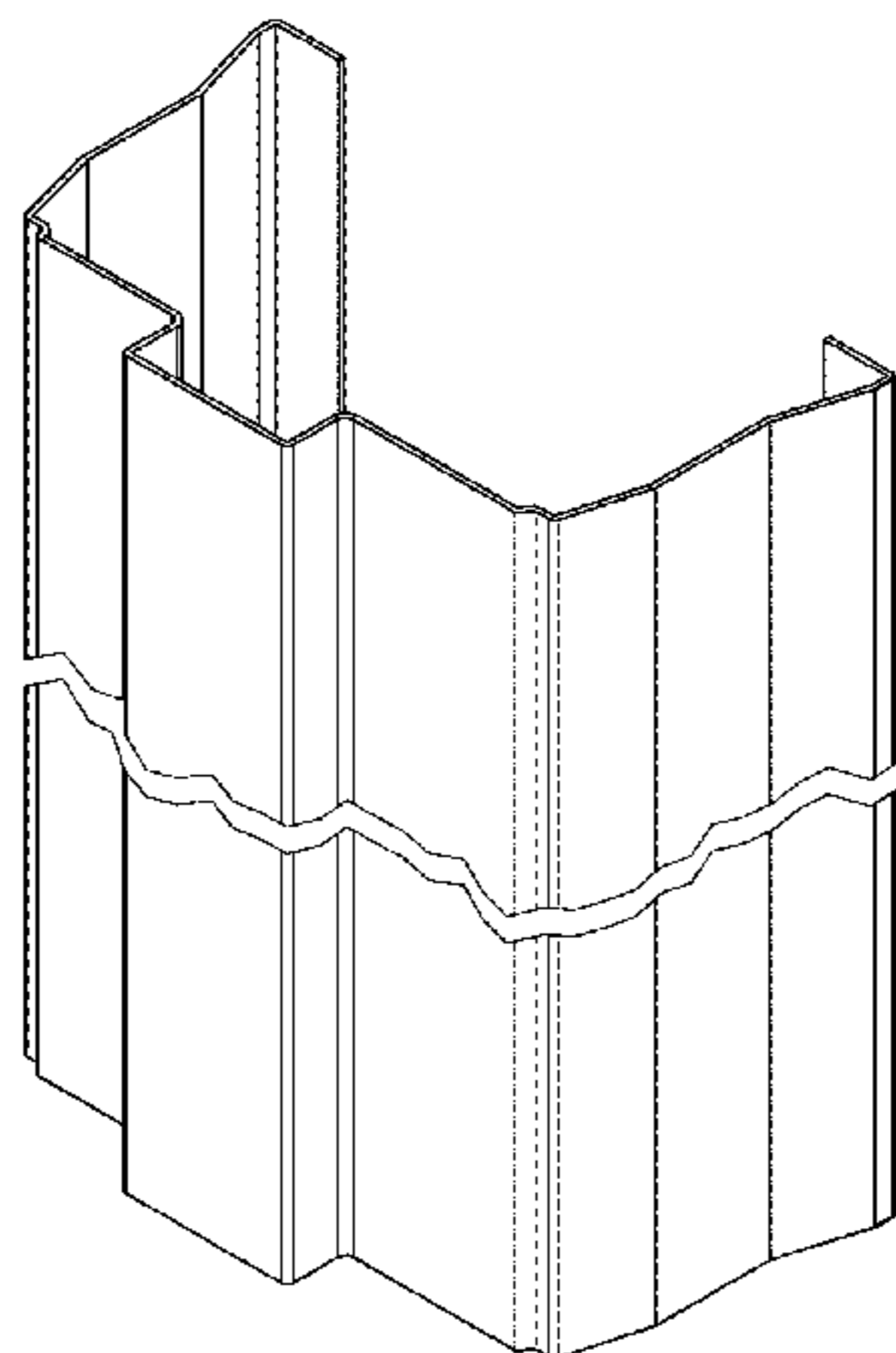
(57) **CLAIM**

The ornamental design for a door frame, as shown and described.

DESCRIPTION

FIG. 1 is a perspective view of the door frame showing a first embodiment of the present design;
 FIG. 2 is a top view of the door frame of FIG. 1;
 FIG. 3 is a bottom view of the door frame of FIG. 1;
 FIG. 4 is a back view of the door frame of FIG. 1;
 FIG. 5 is a front view of the door frame of FIG. 1;
 FIG. 6 is a left side view of the door frame of FIG. 1;
 FIG. 7 is a right side view of the door frame of FIG. 1;
 FIG. 8 is a perspective view of the door frame showing a second embodiment of the present design;
 FIG. 9 is a top view of the door frame of FIG. 8;
 FIG. 10 is a bottom view of the door frame of FIG. 8;
 FIG. 11 is a back view of the door frame of FIG. 8;
 FIG. 12 is a front view of the door frame of FIG. 8;
 FIG. 13 is a left side view of the door frame of FIG. 8; and,
 FIG. 14 is a right side view of the door frame of FIG. 8.
 The door frame is shown with a symbolic break in its length. The appearance of any portion of the door frame between the jagged break lines forms no part of the claimed design.

1 Claim, 8 Drawing Sheets



(56)

References Cited

U.S. PATENT DOCUMENTS

5,619,823 A * 4/1997 Ruff E06B 1/52
52/211
5,794,382 A * 8/1998 Prucinsky E06B 1/524
49/365
D443,788 S * 6/2001 Horsten D6/580
D448,862 S * 10/2001 Kieffer D25/121
D502,037 S * 2/2005 Nien D6/580
D541,094 S * 4/2007 Yu D6/580
D566,299 S * 4/2008 Mann D25/121
D656,251 S * 3/2012 Underkofler D25/164
D817,519 S * 5/2018 Ryan D25/119
2005/0193652 A1 * 9/2005 Cornell E06B 1/12
52/204.1

* cited by examiner

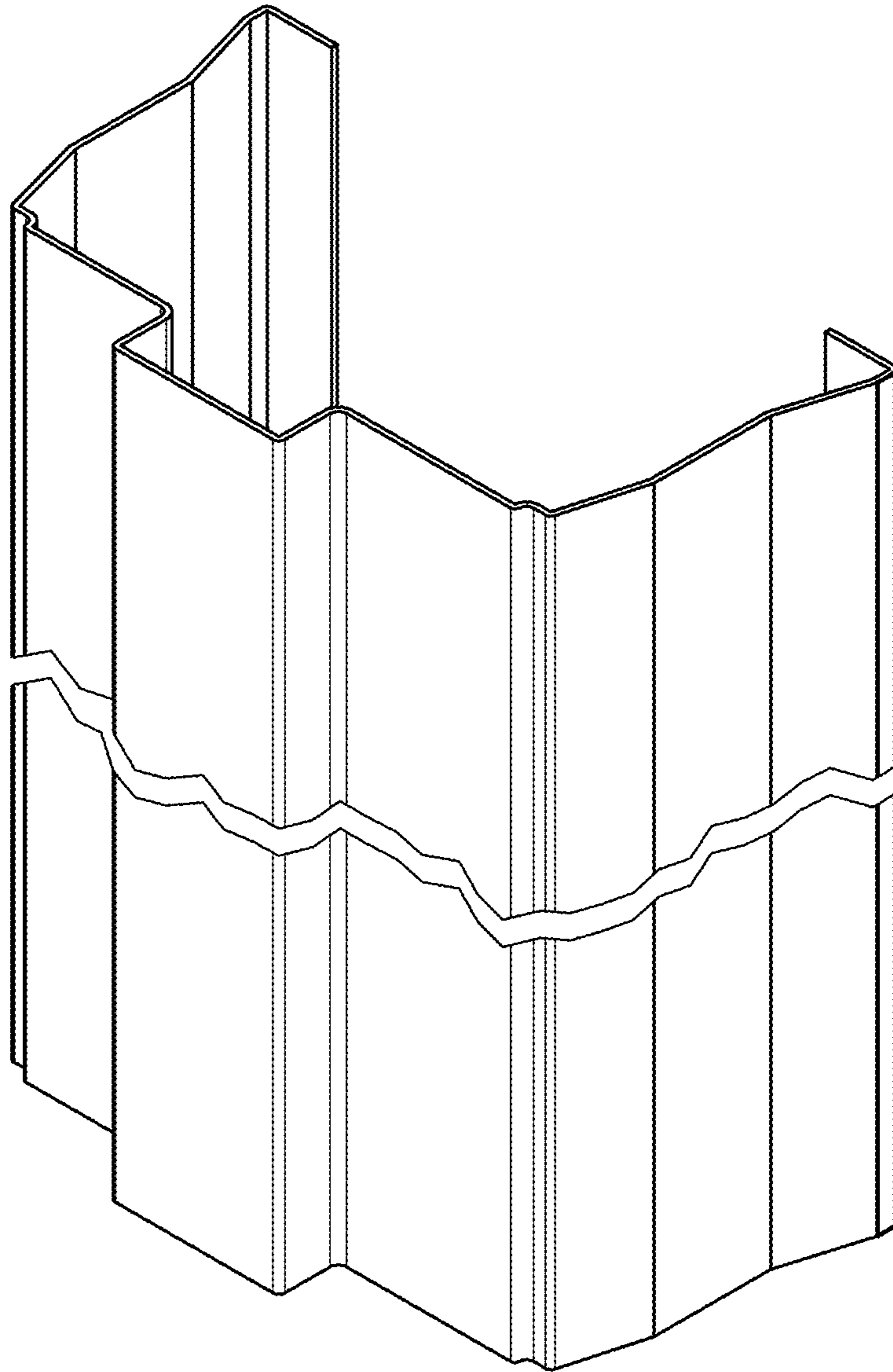


FIG. 1

FIG. 2

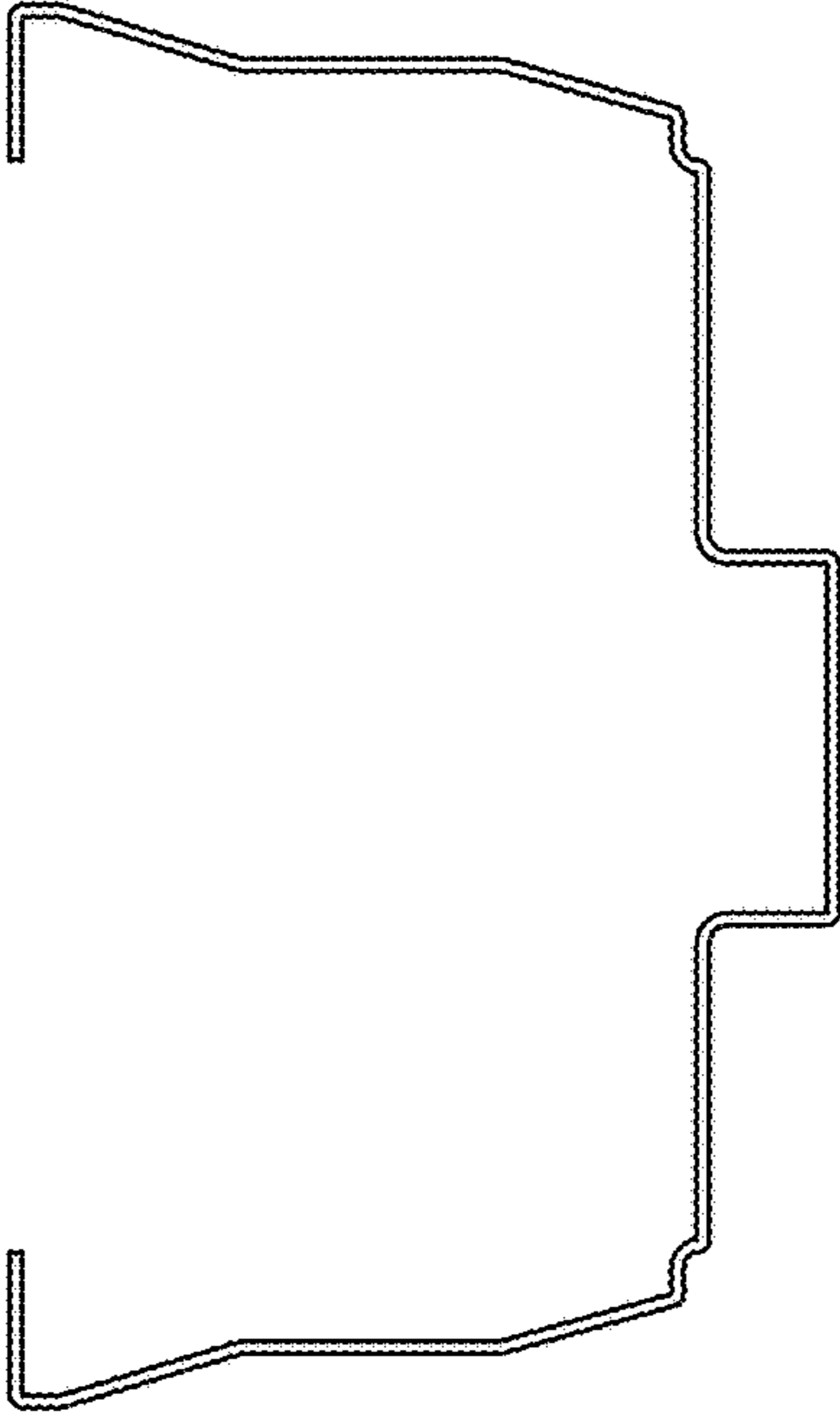
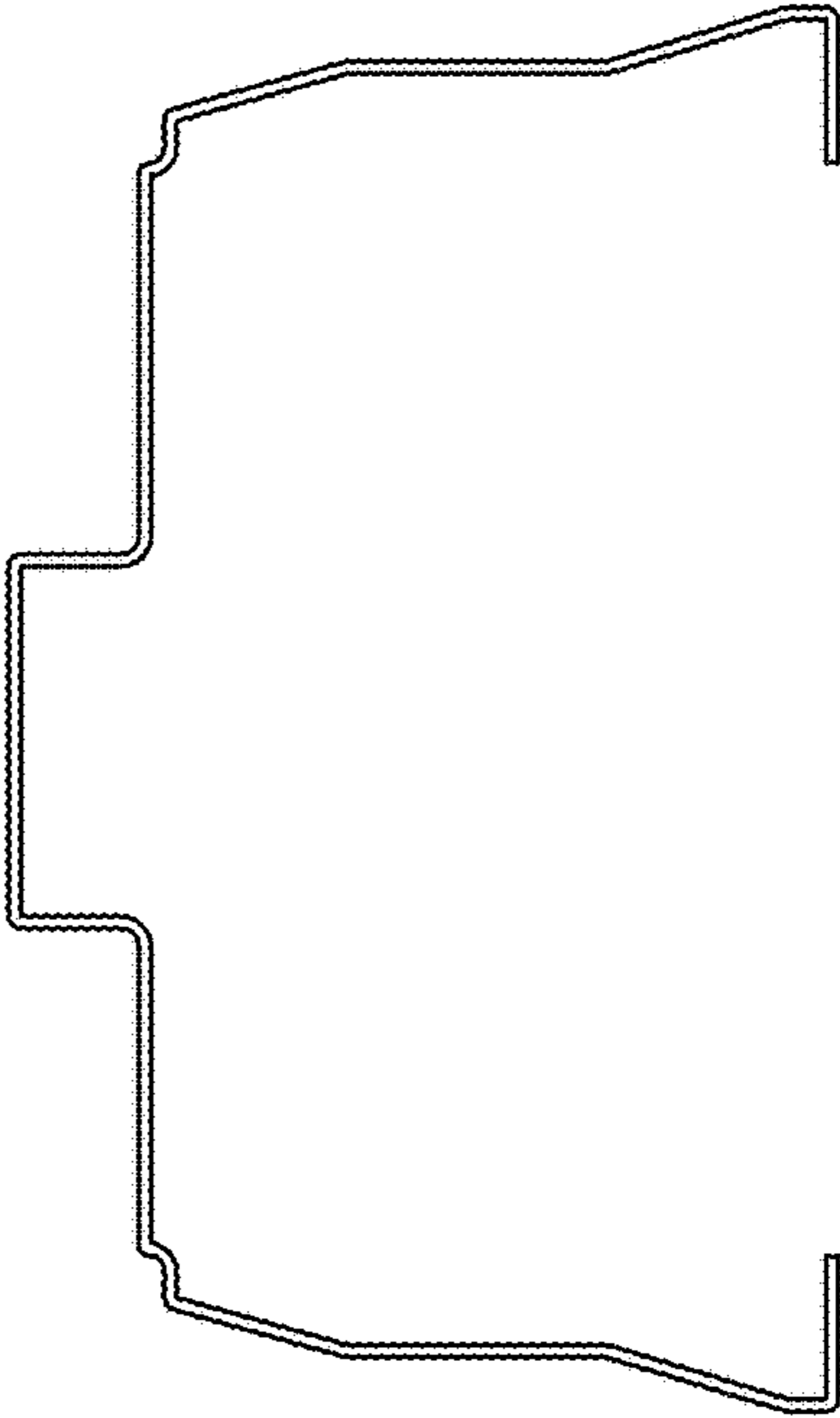


FIG. 3



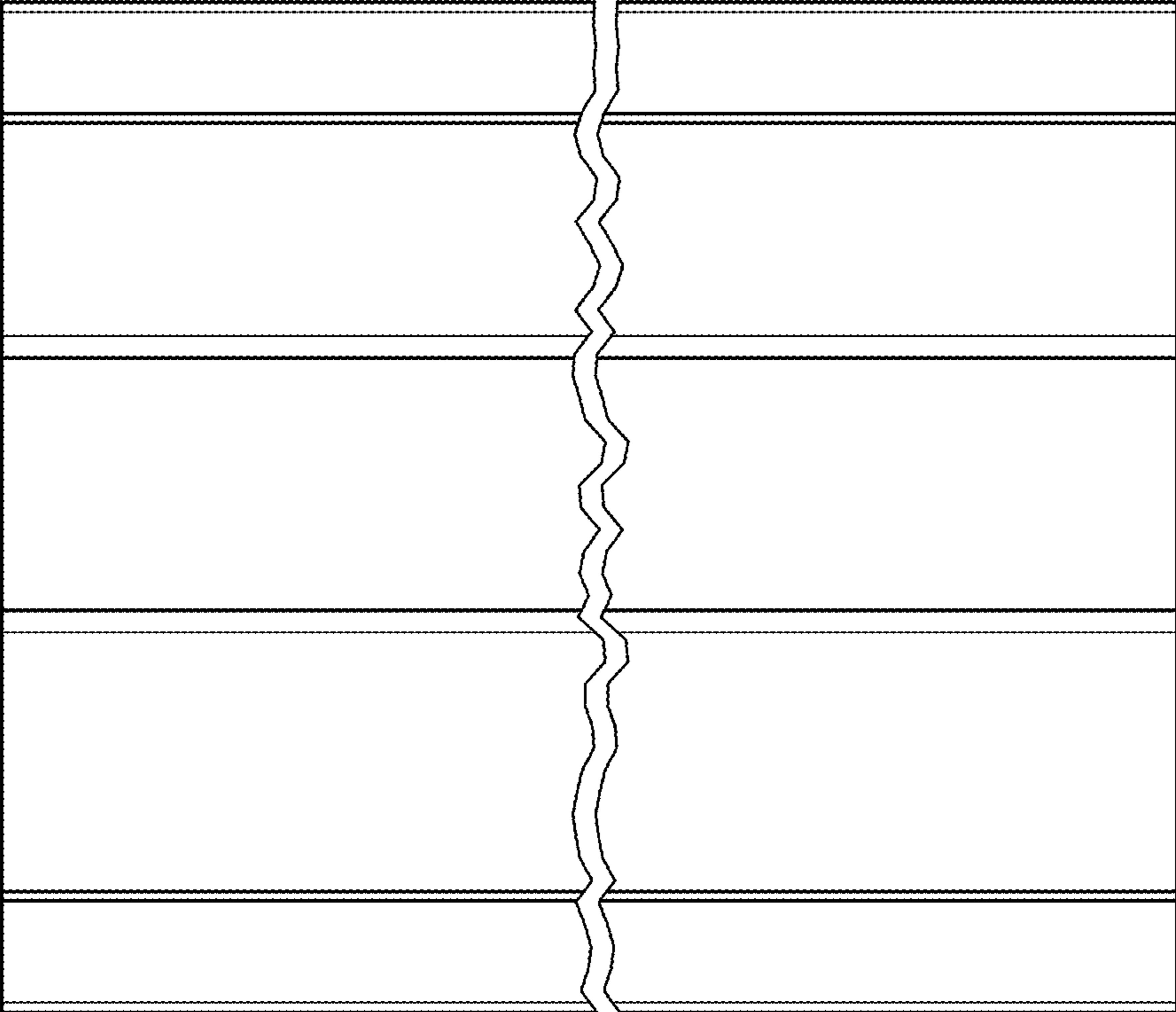


FIG. 5

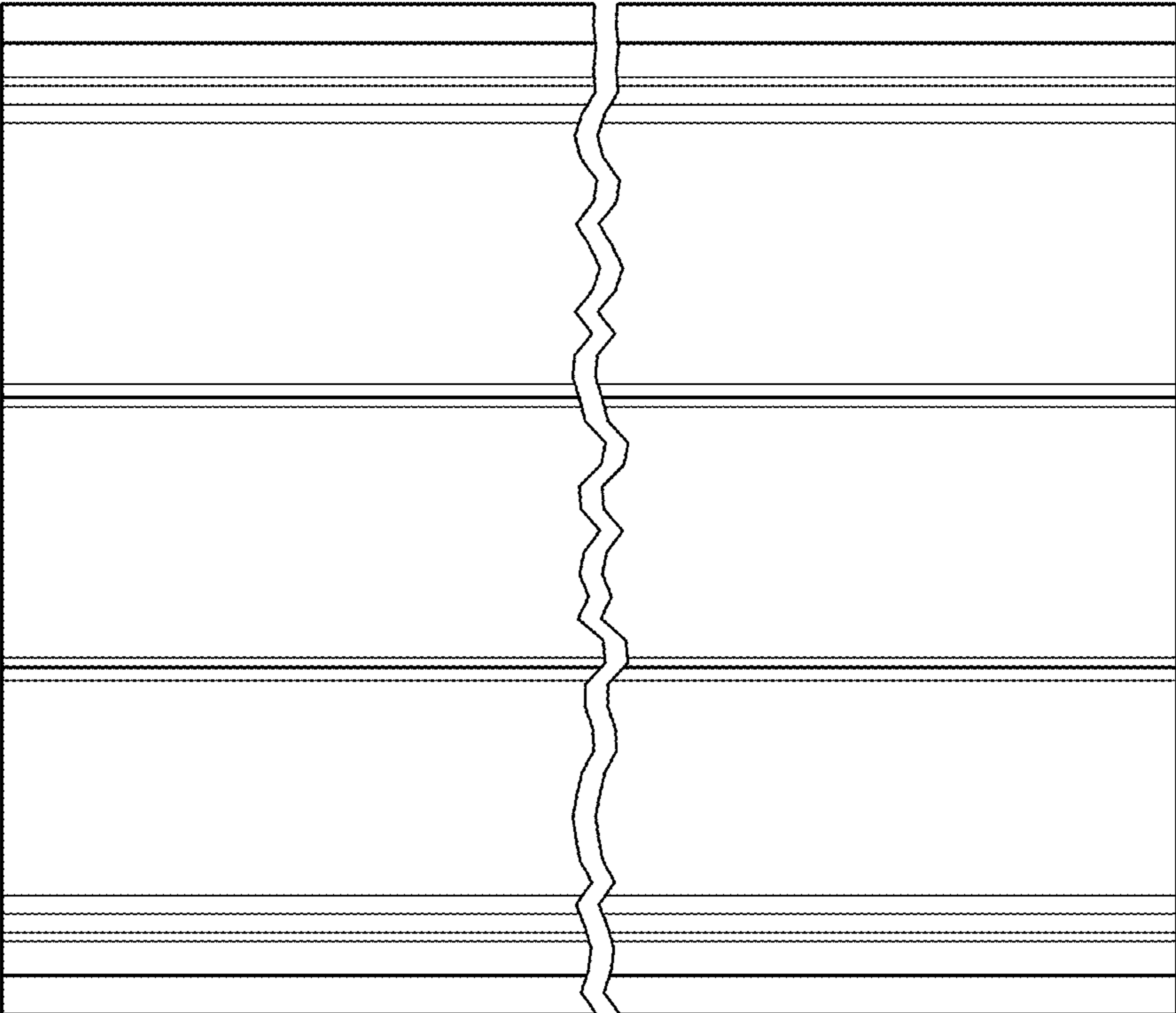


FIG. 4

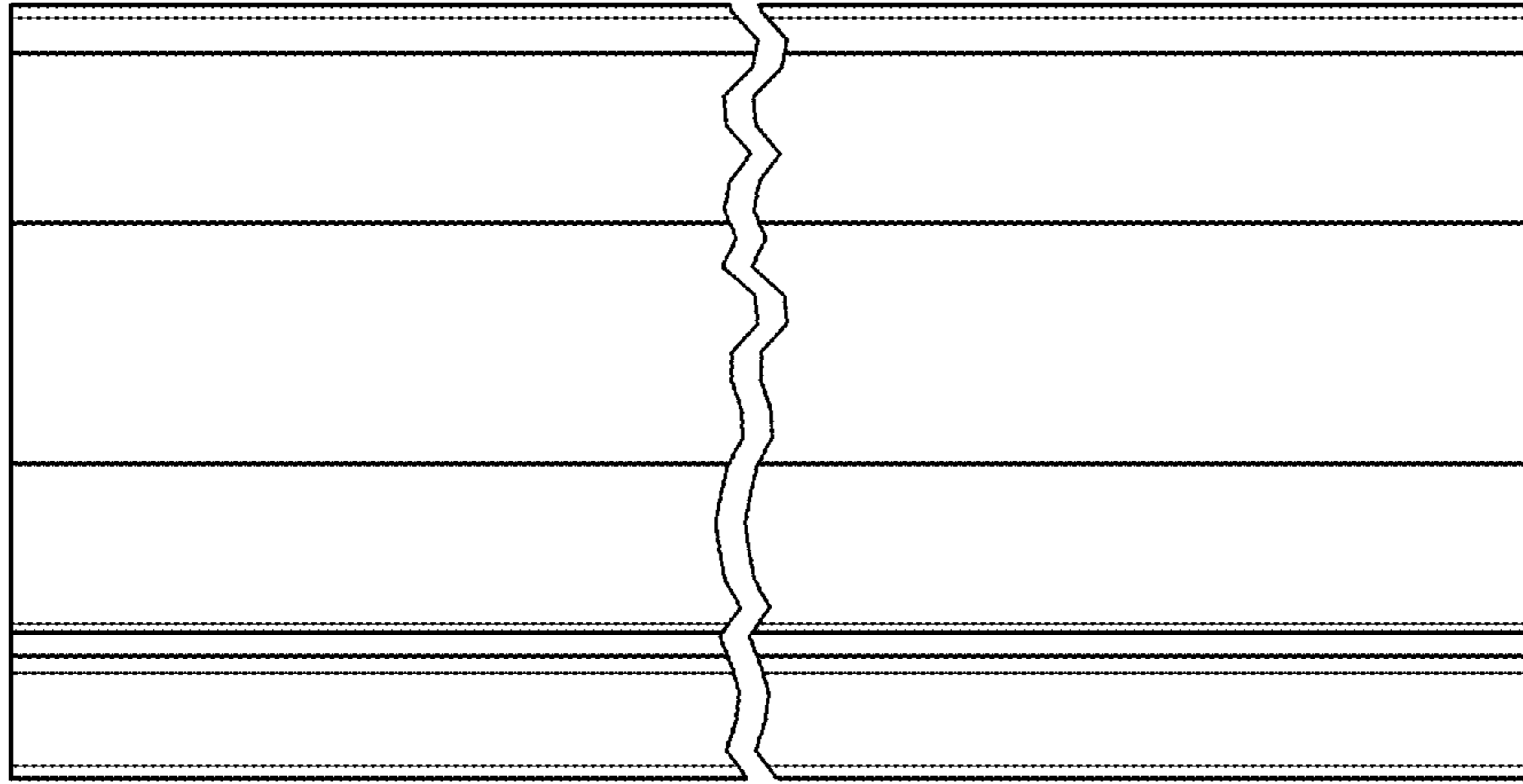


FIG. 7

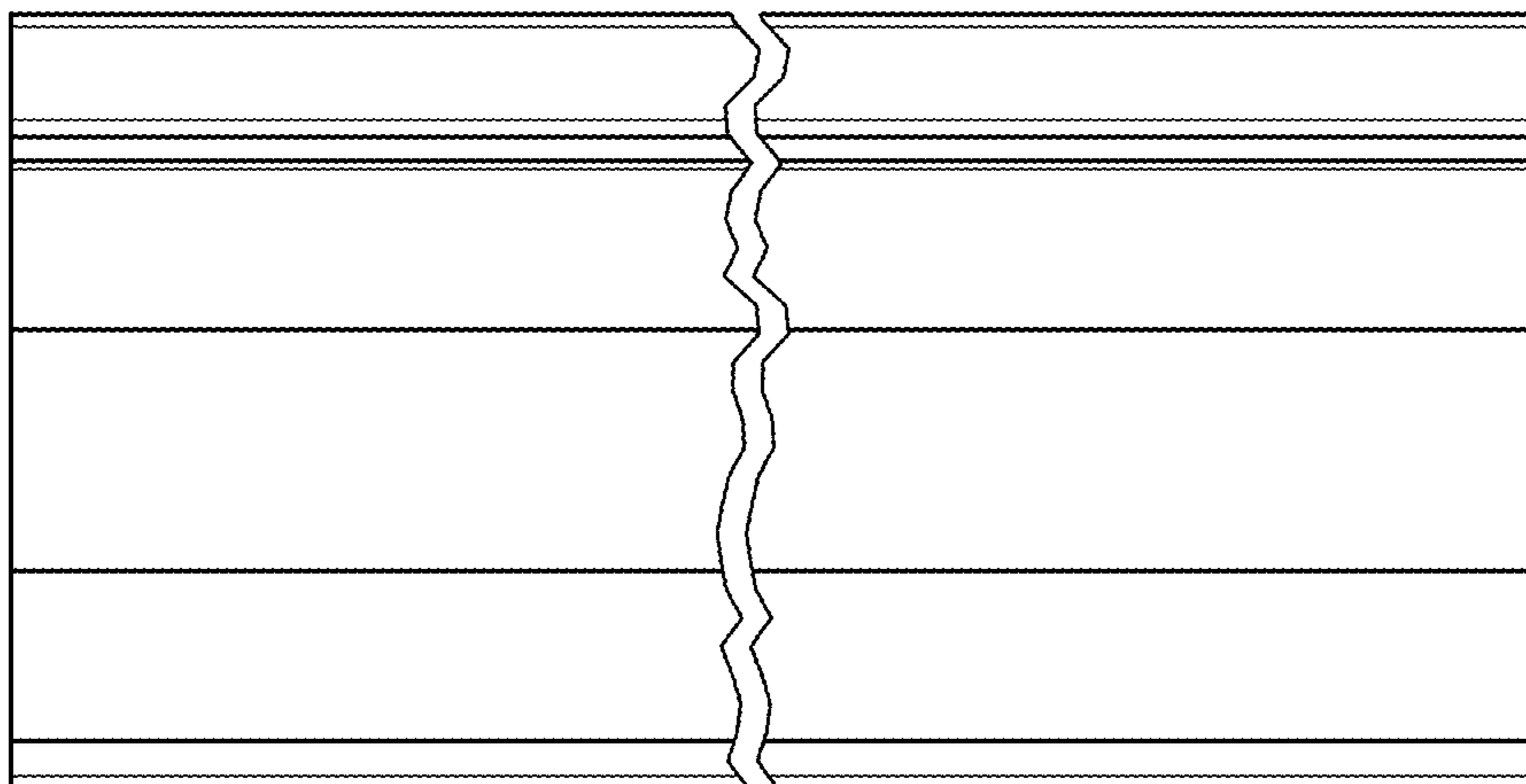


FIG. 6

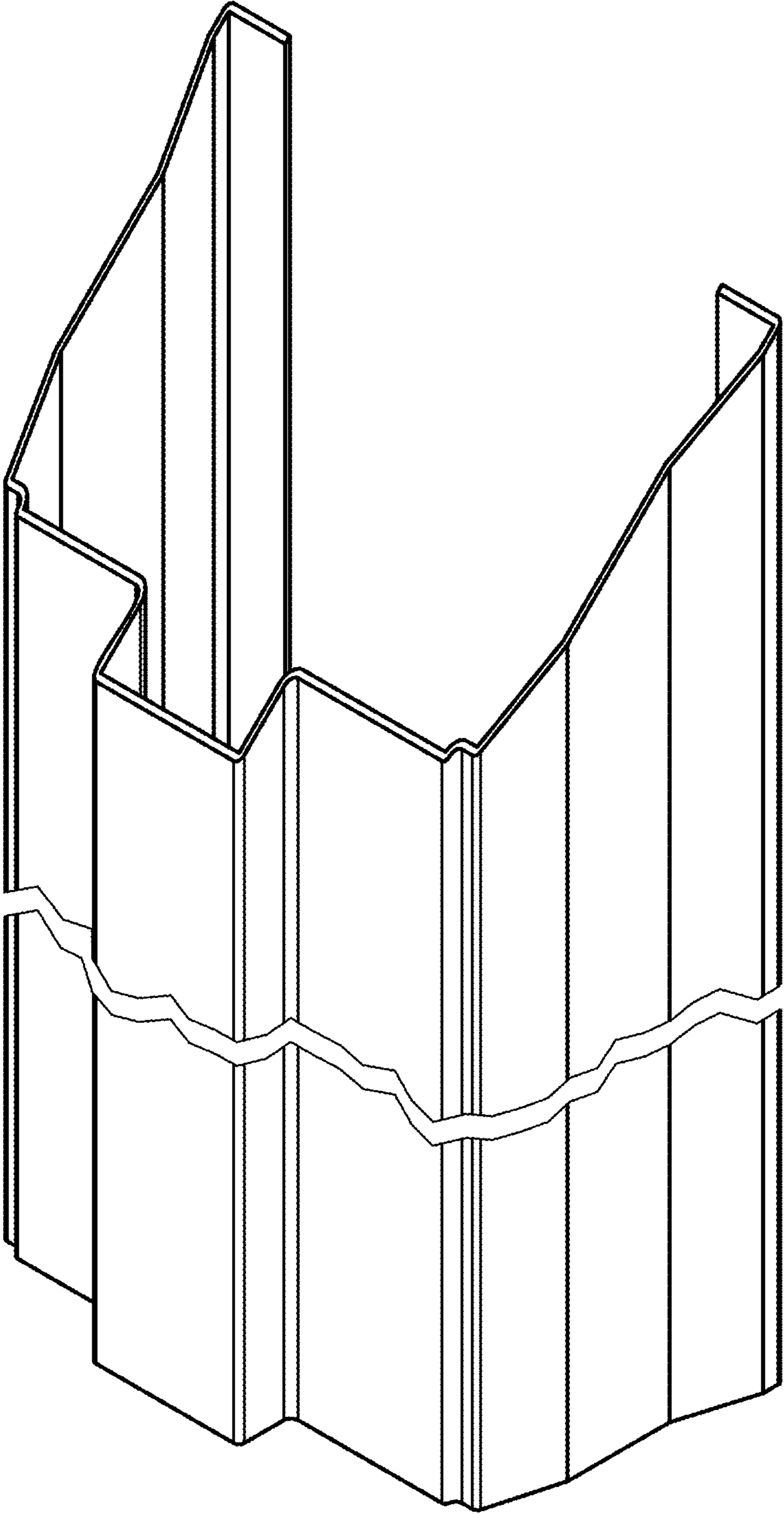


FIG. 8

FIG. 9

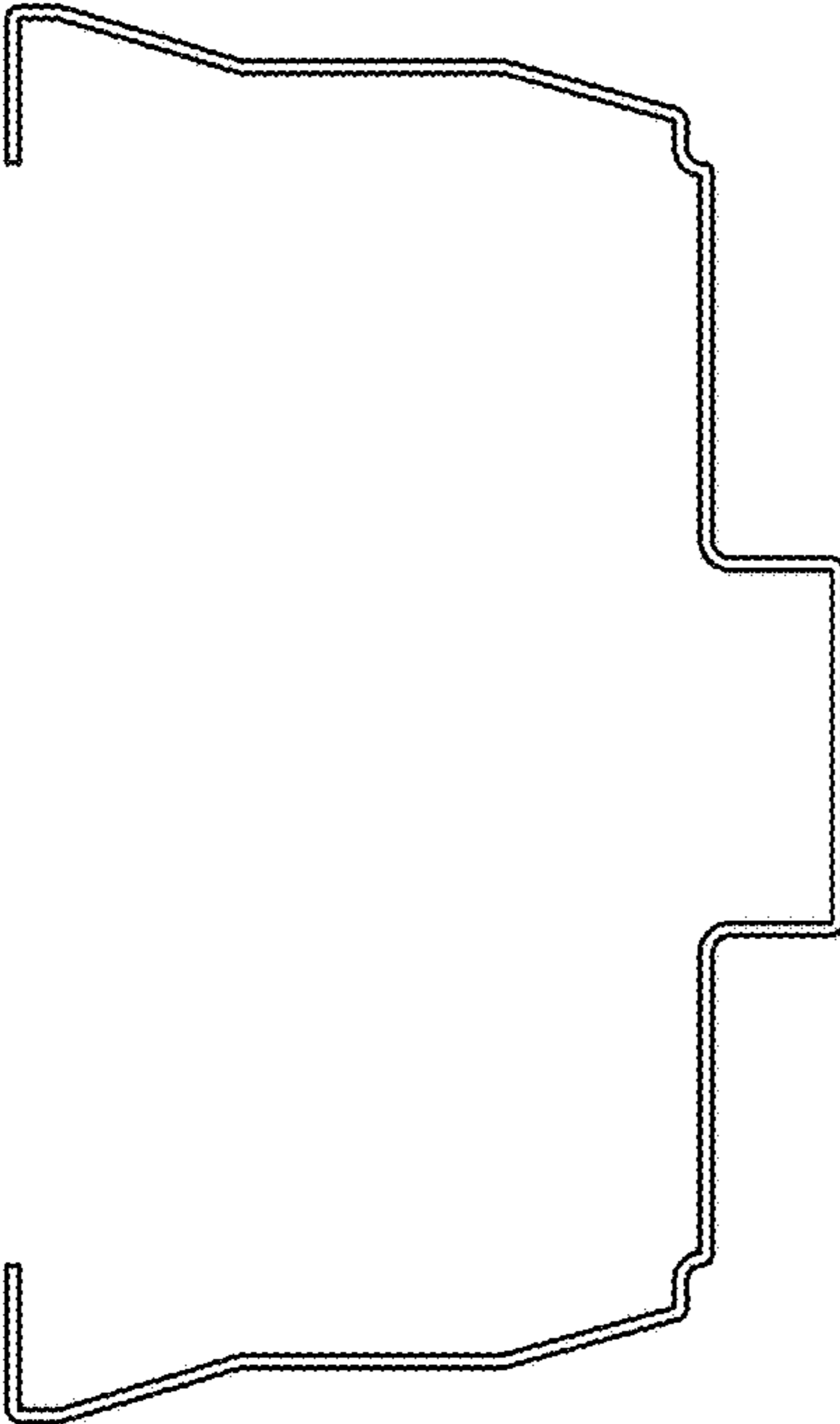
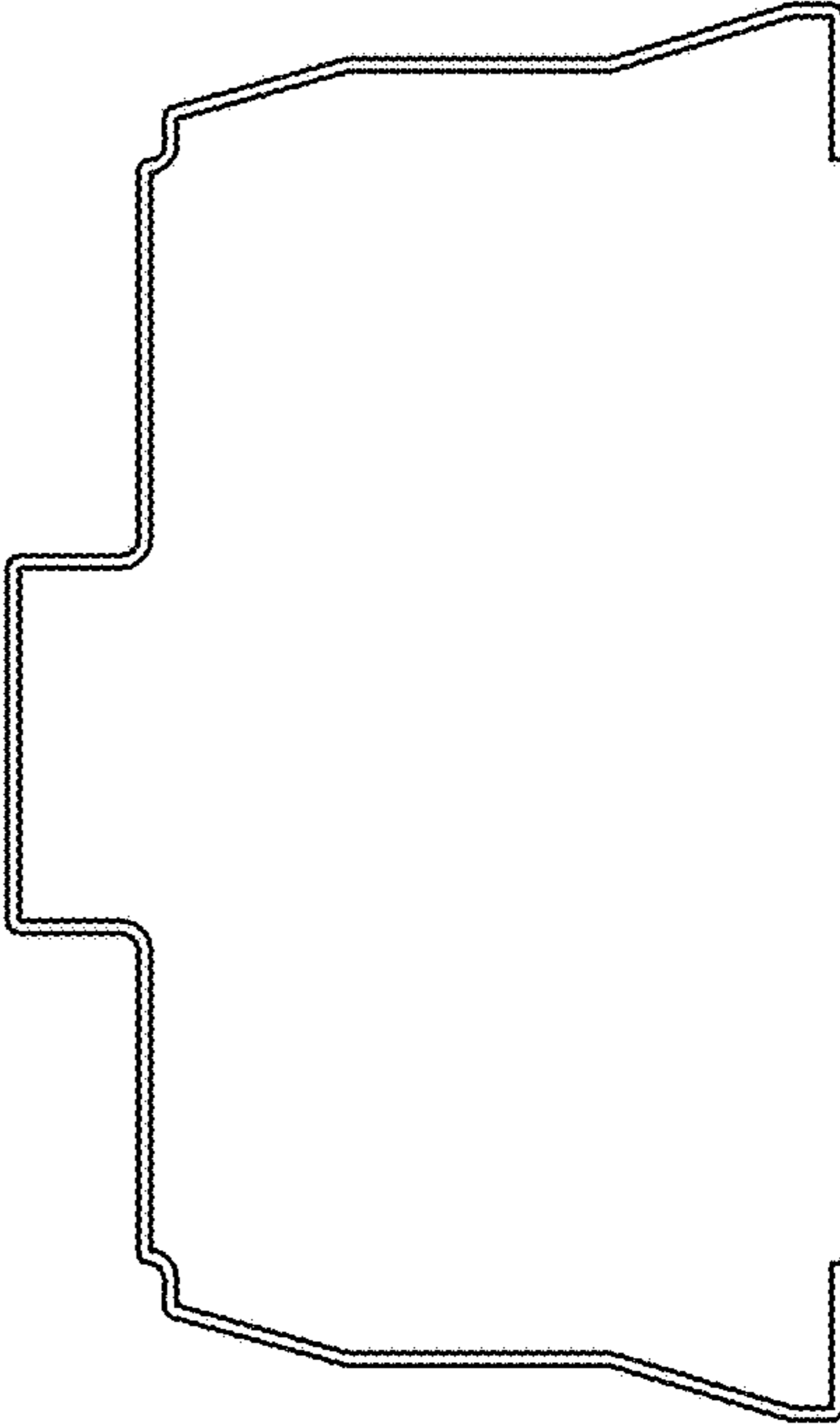


FIG. 10



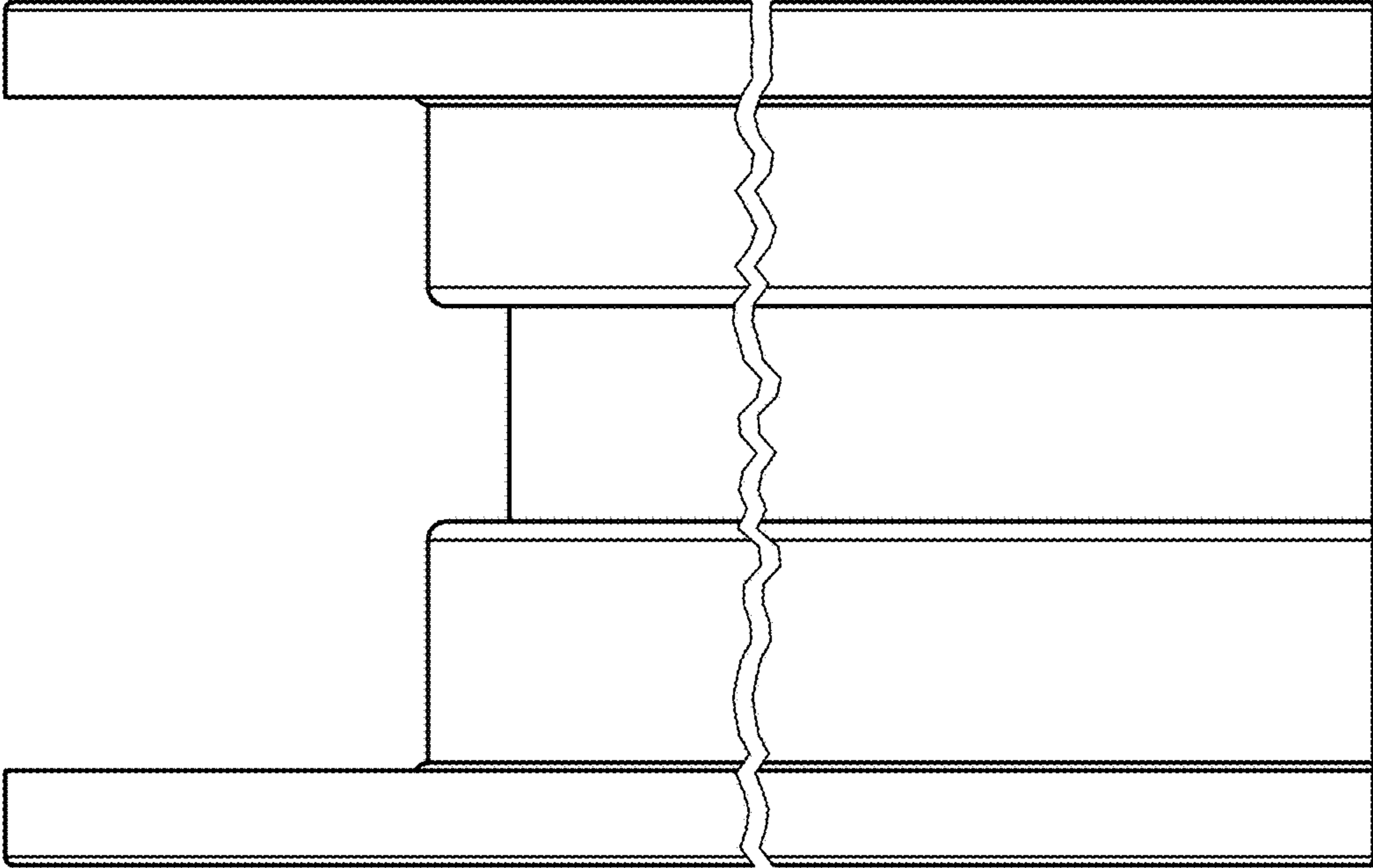


FIG. 12

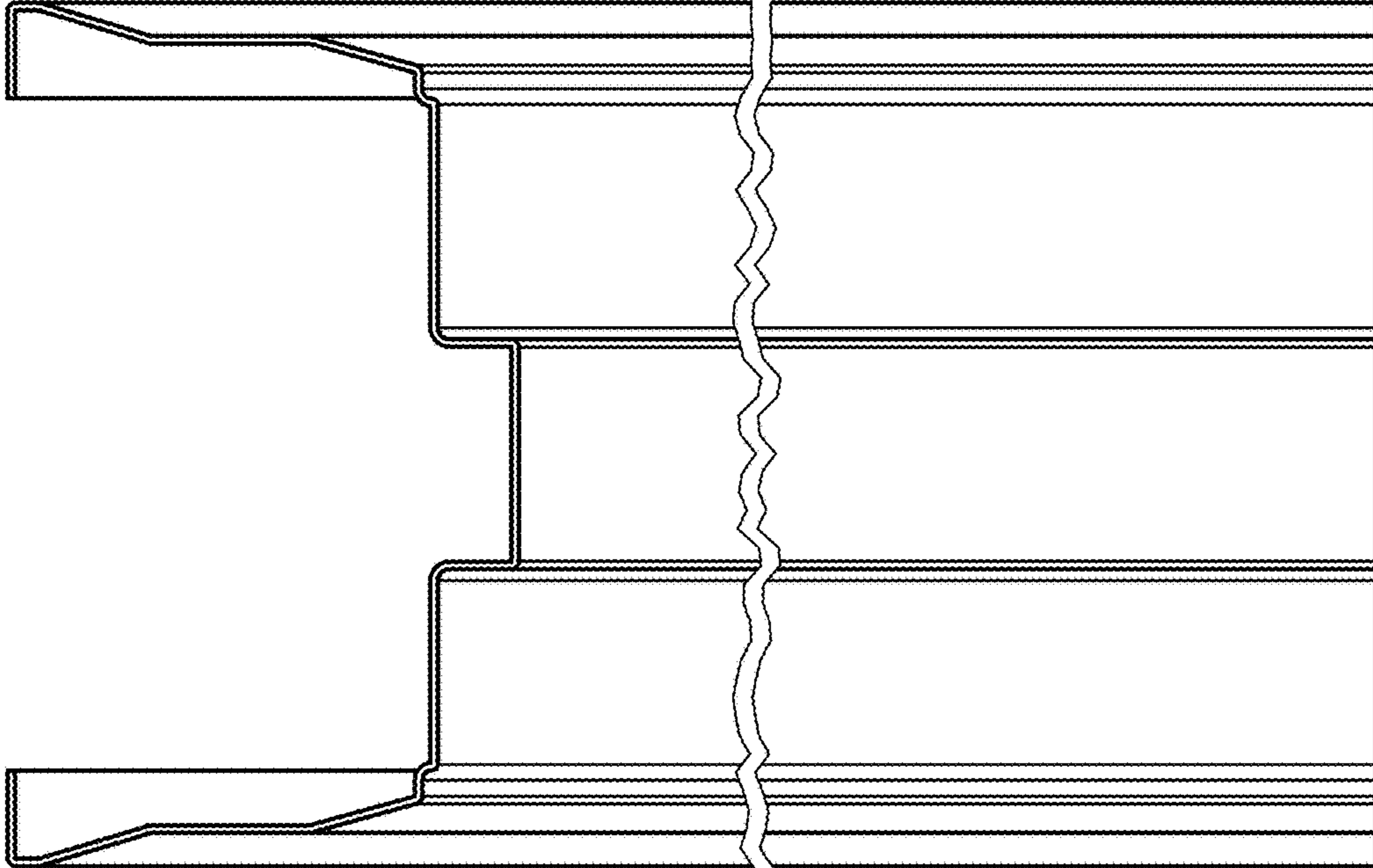


FIG. 11

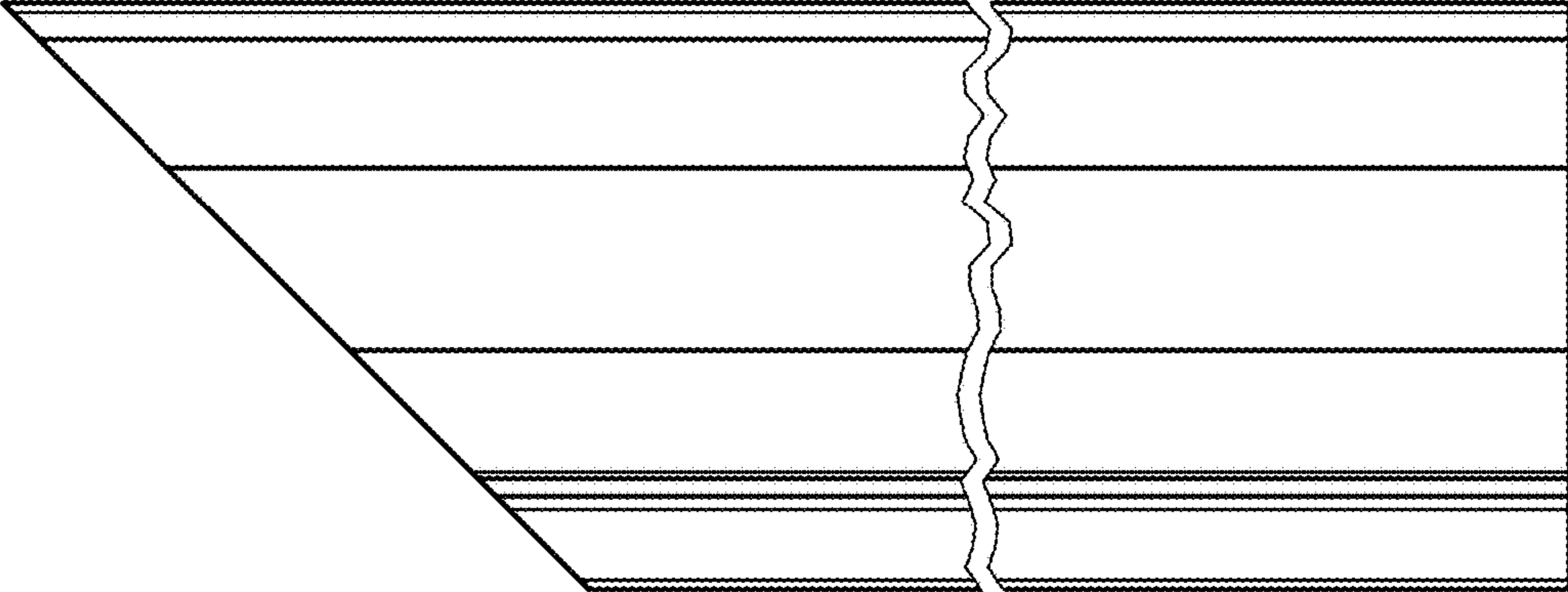


FIG. 14

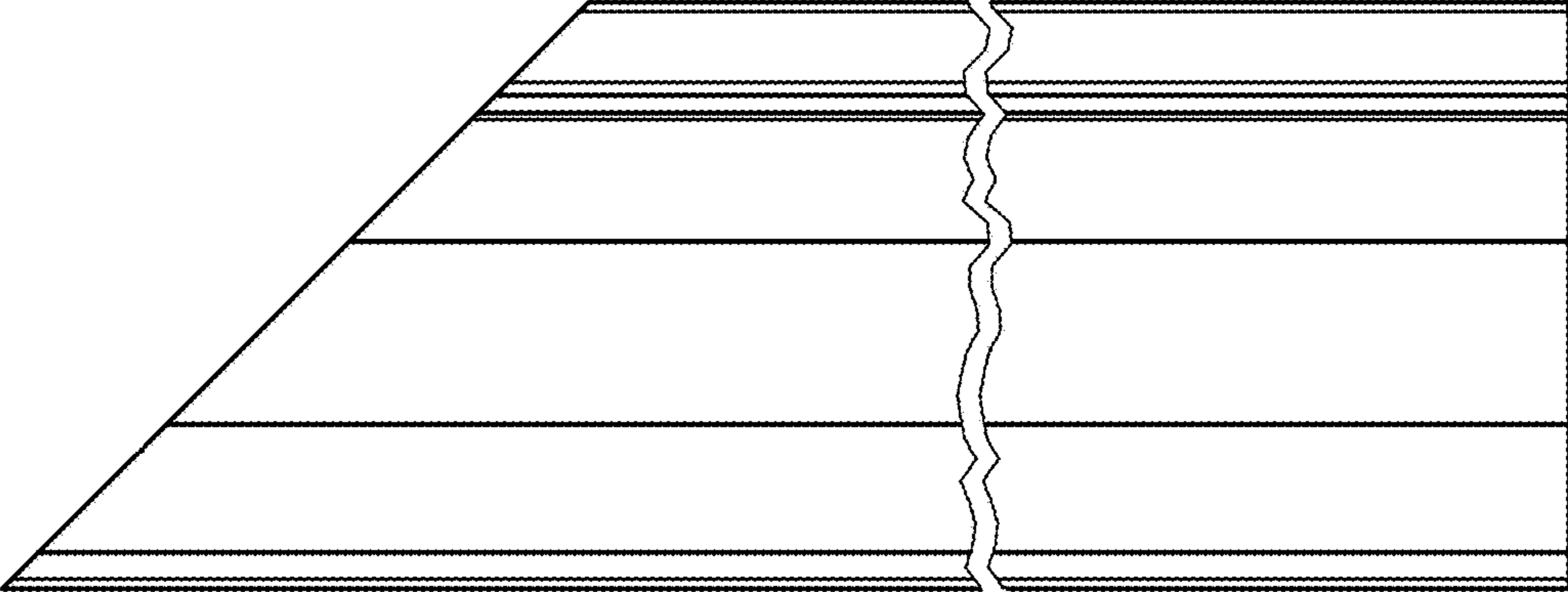


FIG. 13