



US00D861918S

(12) **United States Design Patent** (10) **Patent No.:** **US D861,918 S**
Quataert et al. (45) **Date of Patent:** **** Oct. 1, 2019**

(54) **CAST STONE**
(71) Applicant: **HOLCIM COASTAL B.V.**, Krimpen
Aan Den Ijssel (NL)
(72) Inventors: **Jean-Pierre Quataert**, Almkerk (NL);
Izak Vermeij, Alphen Aan Den Rijn
(NL)
(**) Term: **15 Years**

(21) Appl. No.: **35/505,228**
(22) Filed: **Mar. 1, 2018**

(80) **Hague Agreement Data**
Int. Filing Date: **Mar. 1, 2018**
Int. Reg. No.: **DM/101684**
Int. Reg. Date: **Mar. 1, 2018**
Int. Reg. Pub. Date: **Jul. 6, 2018**

(51) **LOC (12) Cl.** **25-01**
(52) **U.S. Cl.**
USPC **D25/113**

(58) **Field of Classification Search**
USPC D25/113, 102, 112, 114, 115, 117, 118,
D25/199; D21/333, 373, 386, 389, 470,
D21/471, 475, 484, 485, 486, 487, 488,
D21/489, 490, 491, 499, 500, 501, 502
CPC E01C 2201/16; E01C 5/06; E01C 2201/02;
E01C 2201/162; E01C 5/00; E04B 1/32;
E04B 2001/3288; E04B 2002/0243; E04B
2002/0217; E04F 15/08
See application file for complete search history.

(56) **References Cited**
U.S. PATENT DOCUMENTS

4,583,341 A * 4/1986 Barth E01C 5/00
52/314
D365,643 S * 12/1995 Wilhelm D25/113
D540,954 S * 4/2007 Bouchard D25/113

D663,859 S * 7/2012 Thomassen D25/113
D779,683 S * 2/2017 Quan Rosales D25/113
D783,862 S * 4/2017 Von Langsdorff D25/113
D792,608 S * 7/2017 Penterman D25/113
D809,673 S * 2/2018 Lundell D25/113
D812,780 S * 3/2018 Saunders D25/113
D824,542 S * 7/2018 Lundell D25/113
D844,181 S * 3/2019 Lundell D25/113
2003/0121229 A1 * 7/2003 Schmitz E01C 5/06
52/596
2014/0169878 A1 * 6/2014 MacDonald E01C 5/003
404/41

* cited by examiner

Primary Examiner — George D. Kirschbaum
Assistant Examiner — Samantha Q Lawrence

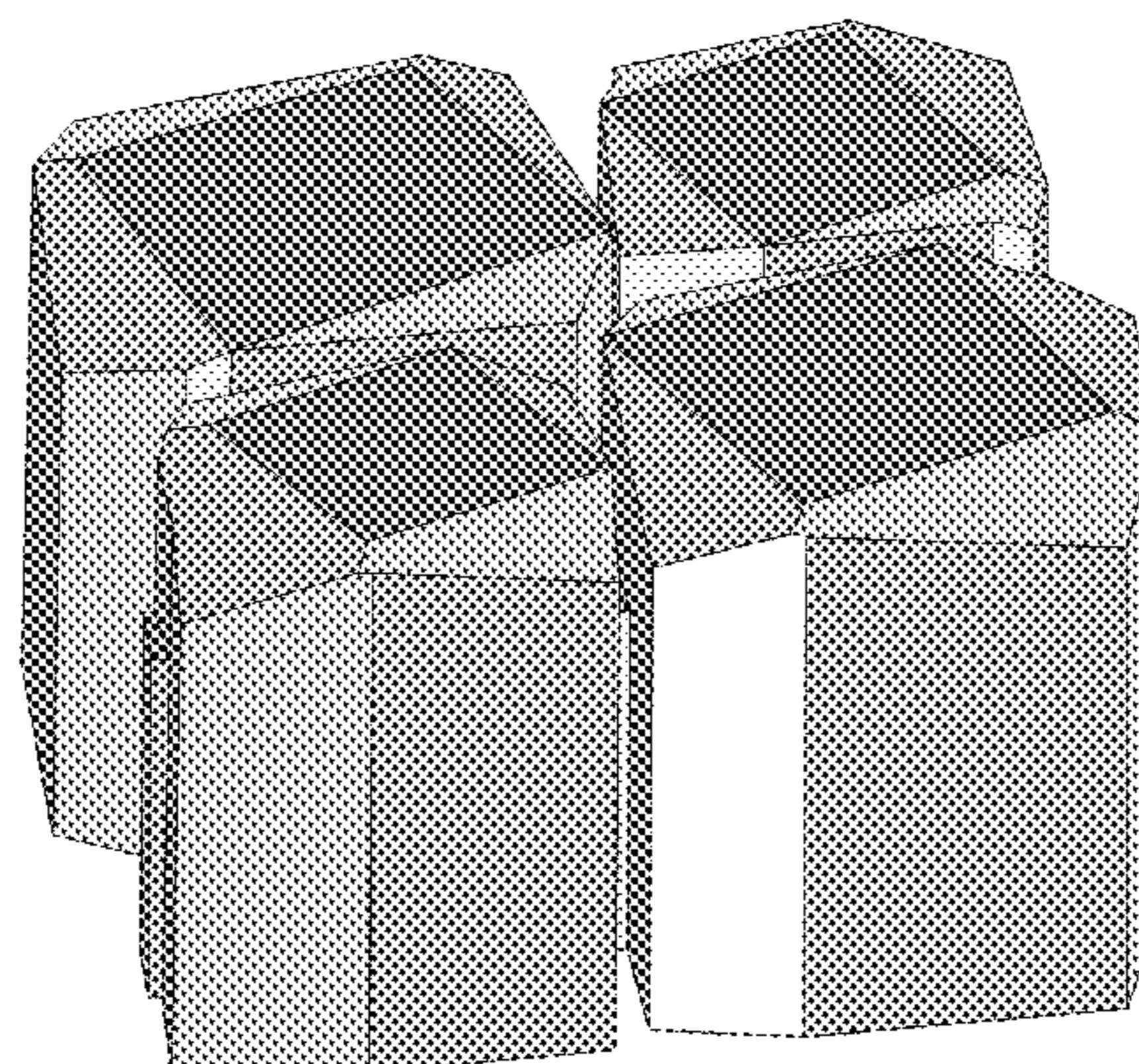
(57) **CLAIM**

The ornamental design for a cast stone, as shown and described.

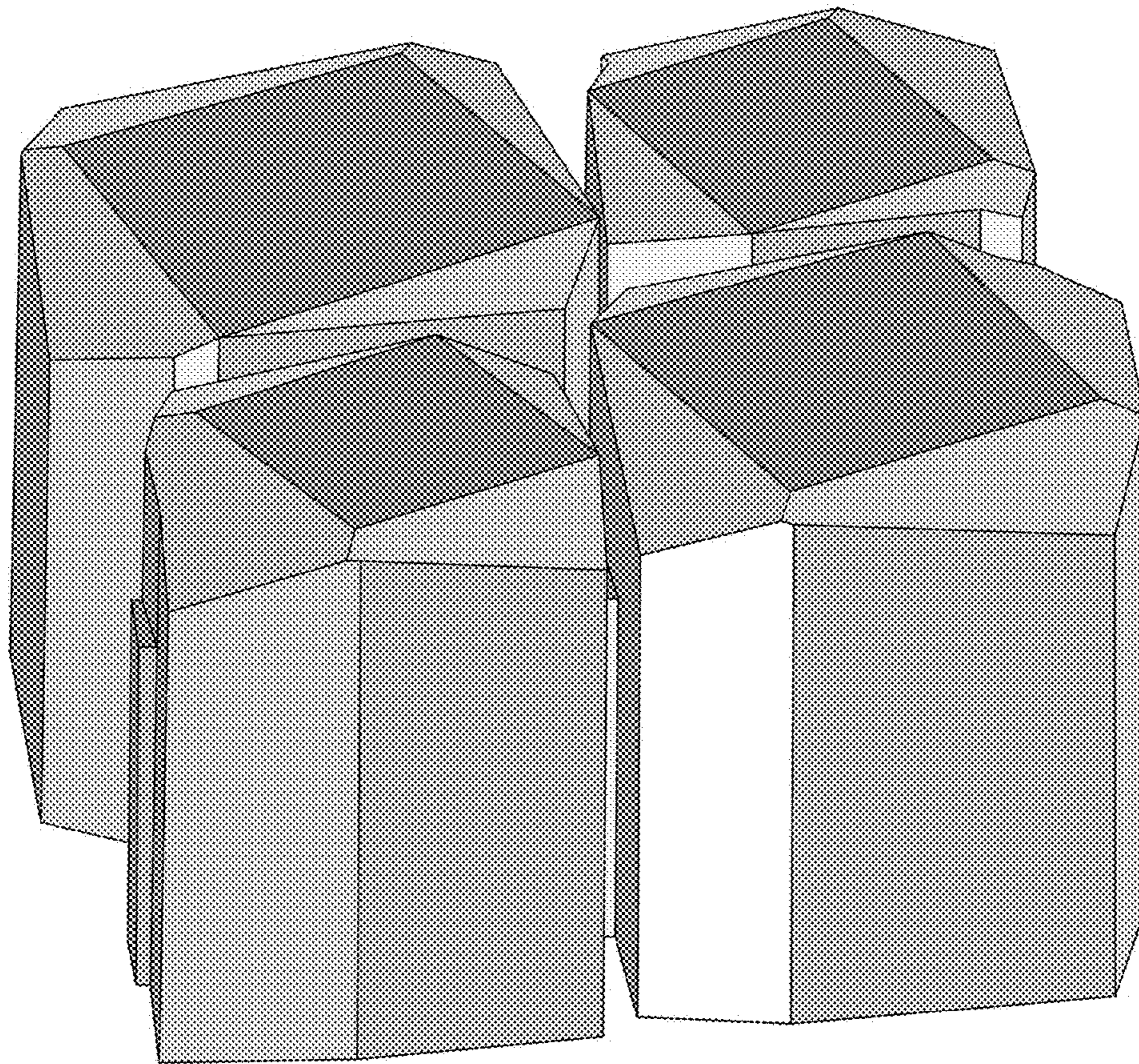
DESCRIPTION

1. Cast stone
Figure 1.1 is a perspective view of a cast stone;
Figure 1.2 is another perspective view thereof;
Figure 1.3 is another perspective view thereof;
Figure 1.4 is a bottom view thereof;
Figure 1.5 is a side view thereof;
Figure 1.6 is another side view thereof; and
Figure 1.7 is a top view thereof.

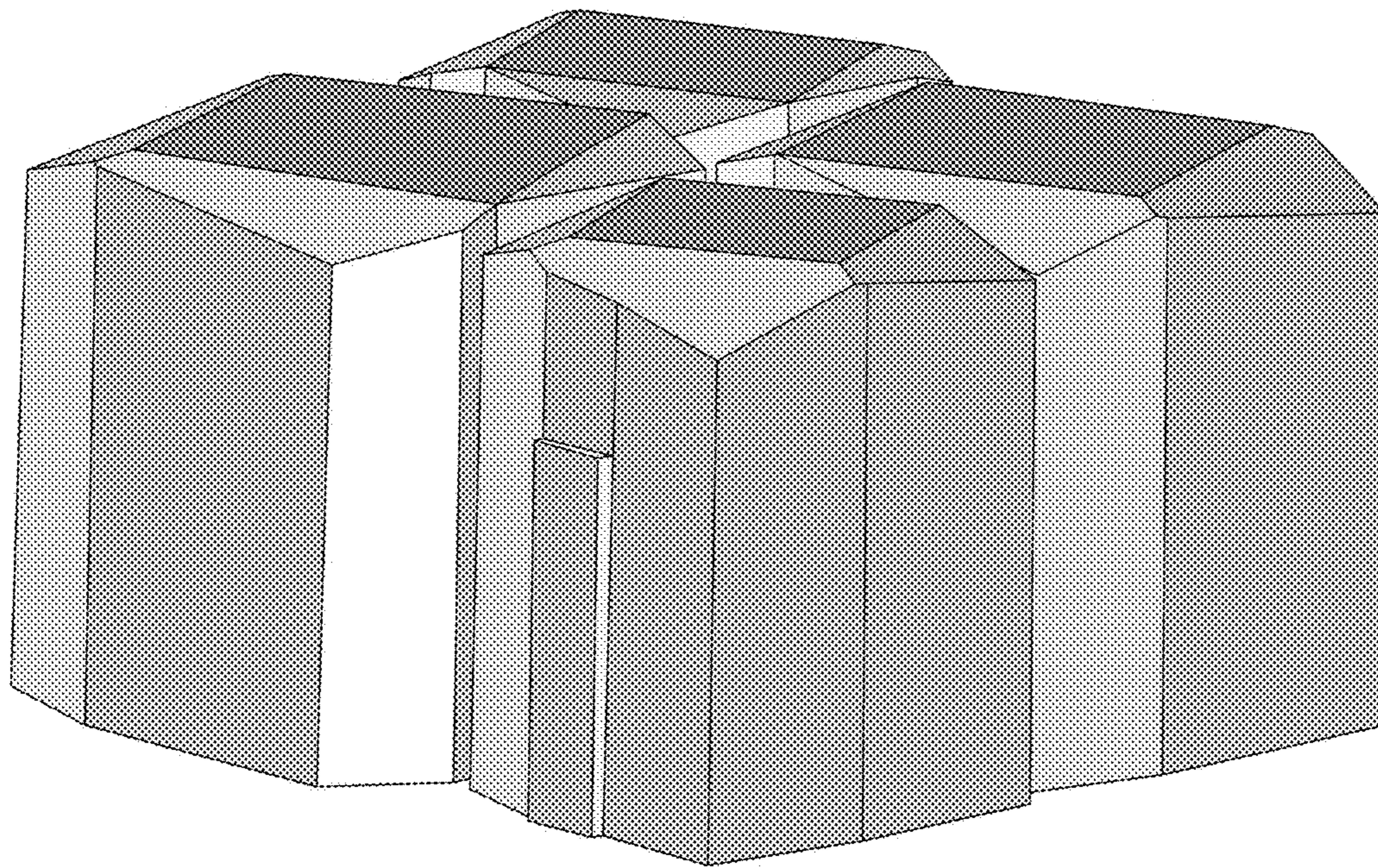
1 Claim, 7 Drawing Sheets



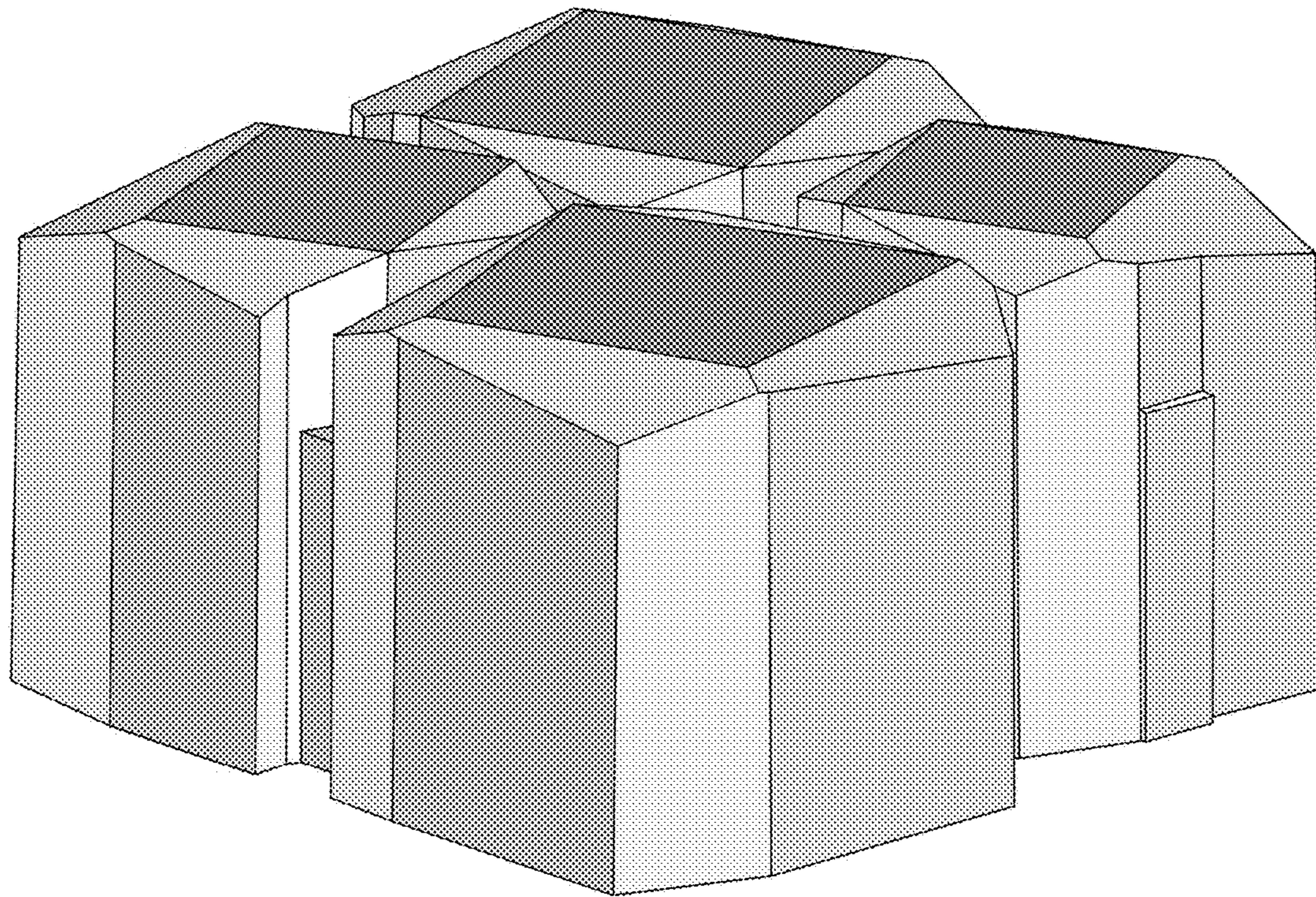
1.1



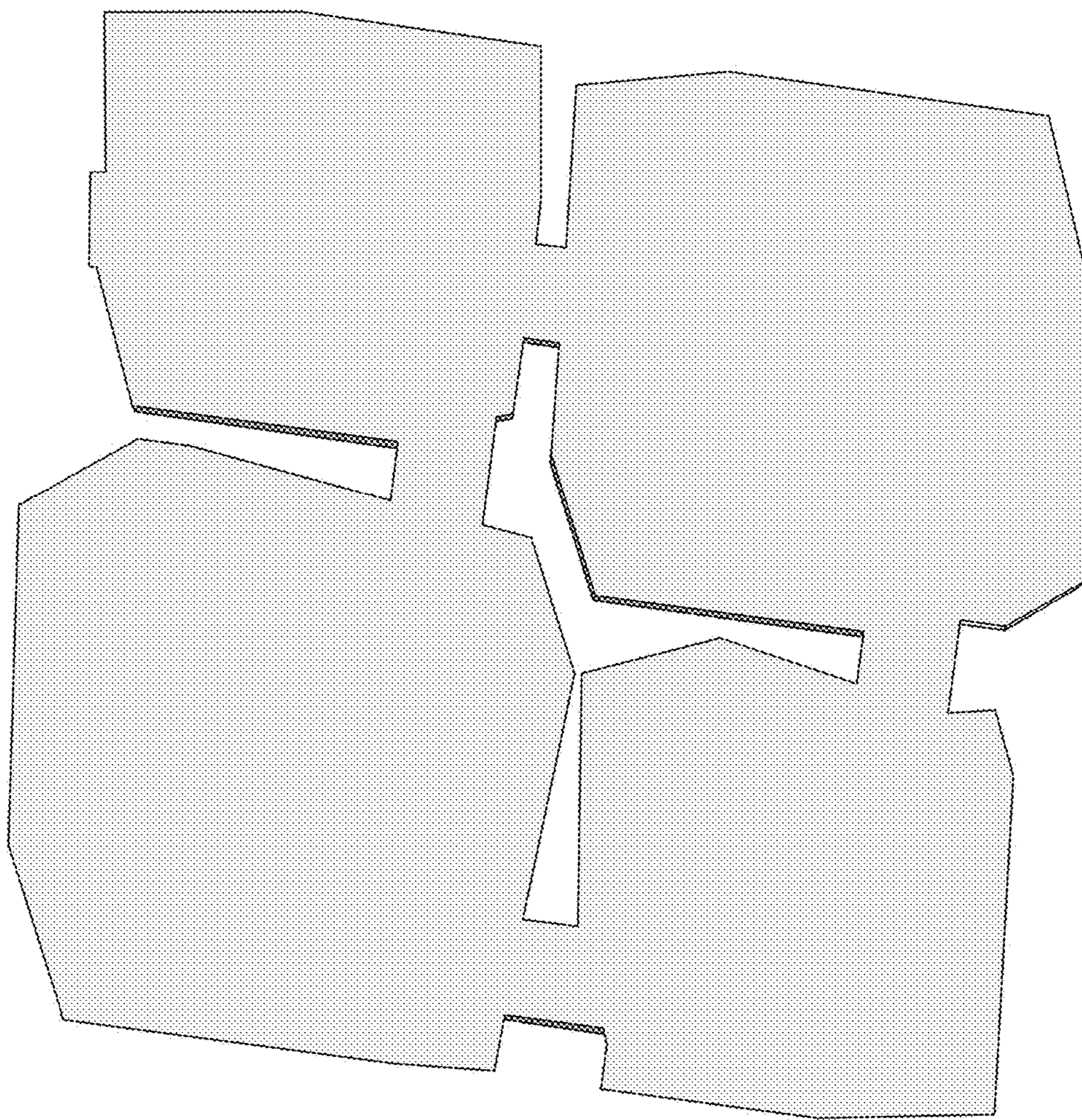
1.2



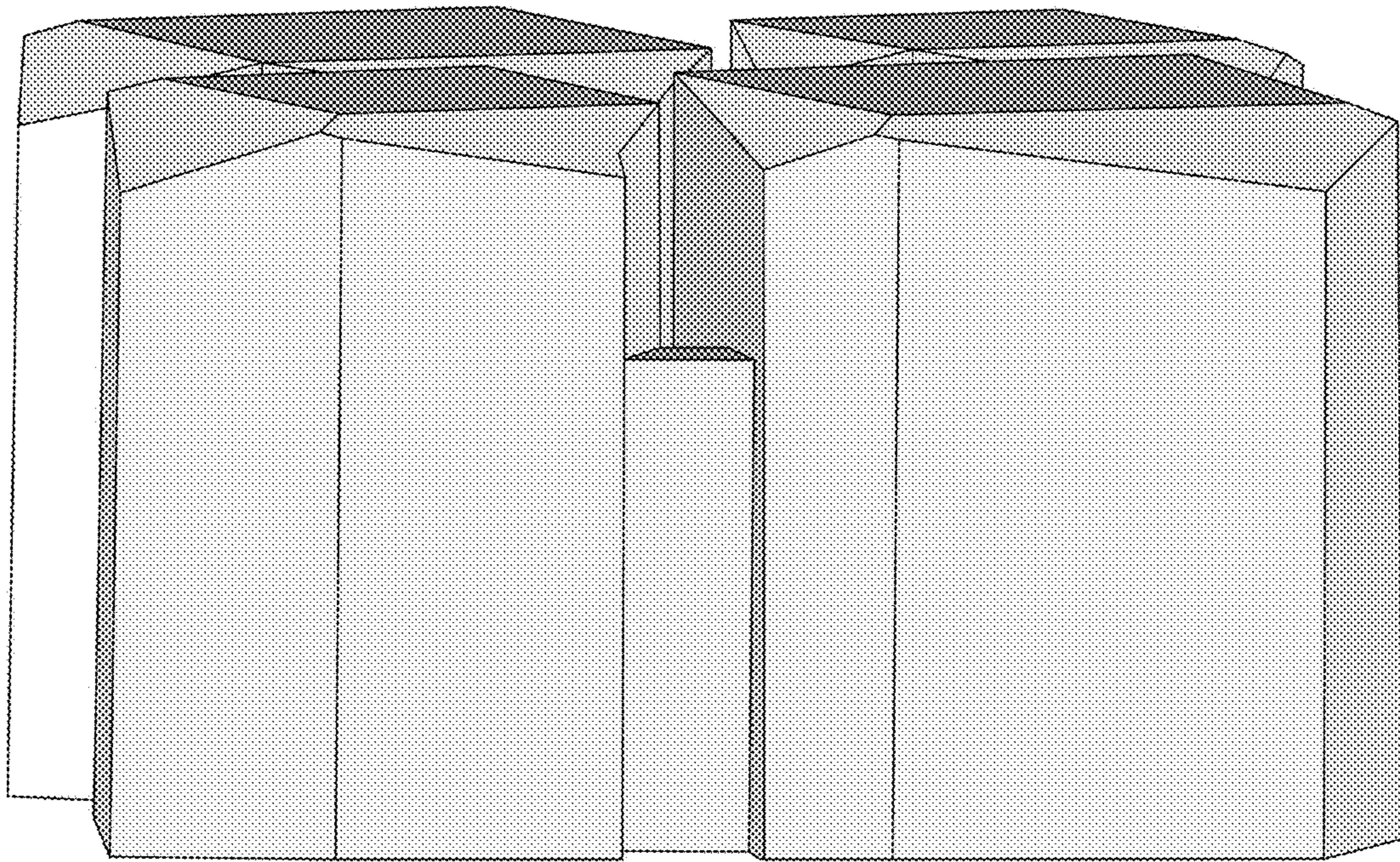
1.3



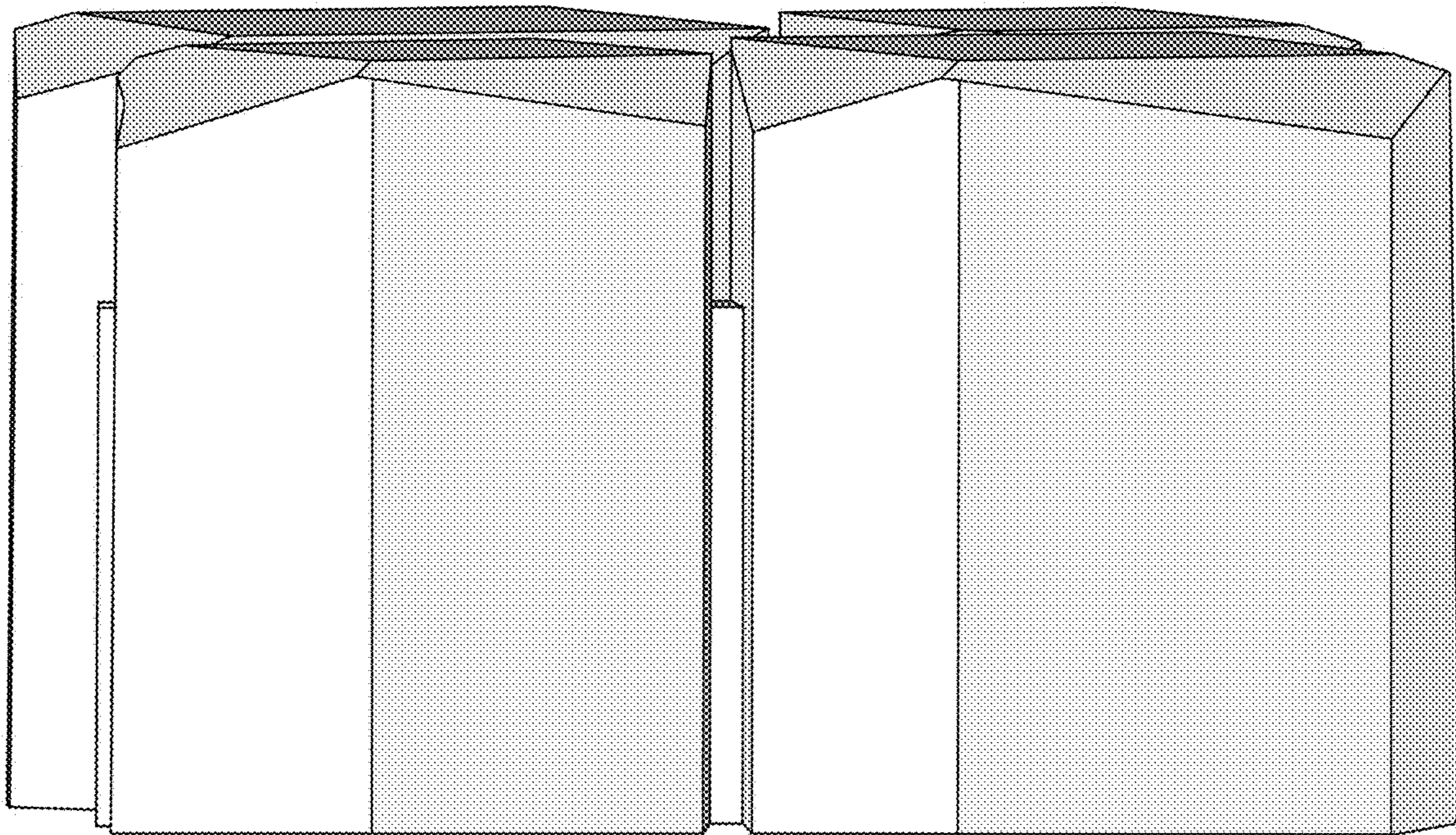
1.4



1.5



1.6



1.7

