



US00D861909S

(12) **United States Design Patent**
Cheung

(10) **Patent No.:** **US D861,909 S**

(45) **Date of Patent:** **** Oct. 1, 2019**

(54) **VIBRATOR**

(71) Applicant: **Brandcore Limited**, Road Town,
Tortola (VG)

(72) Inventor: **Lai Lam Cheung**, Ma On Shan (HK)

(73) Assignee: **Brandcore Limited** (VG)

(**) Term: **15 Years**

(21) Appl. No.: **29/581,124**

(22) Filed: **Oct. 17, 2016**

(51) **LOC (12) Cl.** **28-03**

(52) **U.S. Cl.**
USPC **D24/215**

(58) **Field of Classification Search**
USPC D24/200, 211, 212, 213, 214, 215;
601/19, 22, 40, 46, 52, 63, 99, 110–113,
601/118–120, 125, DIG. 12, DIG. 14,
601/DIG. 15, DIG. 16, DIG. 17
CPC A61H 1/00; A61H 2015/0007; A61H
2015/0014; A61H 2015/0042; A61H
15/00; A61H 11/00; A61H 21/00; A61H
37/00
See application file for complete search history.

(56) **References Cited**

U.S. PATENT DOCUMENTS

99,747 A * 2/1870 Greth D06F 15/00
68/109
D45,962 S * 6/1914 Rhodes D24/135
D125,046 S * 2/1941 Ballentine D24/115
D143,924 S * 2/1946 McFadden D24/135

D320,453 S * 10/1991 Von Winckler D24/200
D515,703 S * 2/2006 Nan D24/105
D536,458 S * 2/2007 Nan D24/214
7,998,056 B2 * 8/2011 Stifter A61H 19/44
600/38
D717,547 S * 11/2014 Adriaenssen D4/101
2007/0126593 A1 * 6/2007 Nan A61H 19/44
340/12.22
2007/0149903 A1 * 6/2007 Nan A61H 19/34
601/72
2008/0091128 A1 * 4/2008 Nan A61H 7/001
601/70
2014/0088350 A1 * 3/2014 Nan A61H 19/34
600/38

* cited by examiner

Primary Examiner — Sandra S Snapp

(74) *Attorney, Agent, or Firm* — Merek, Blackmon &
Voorhees, LLC

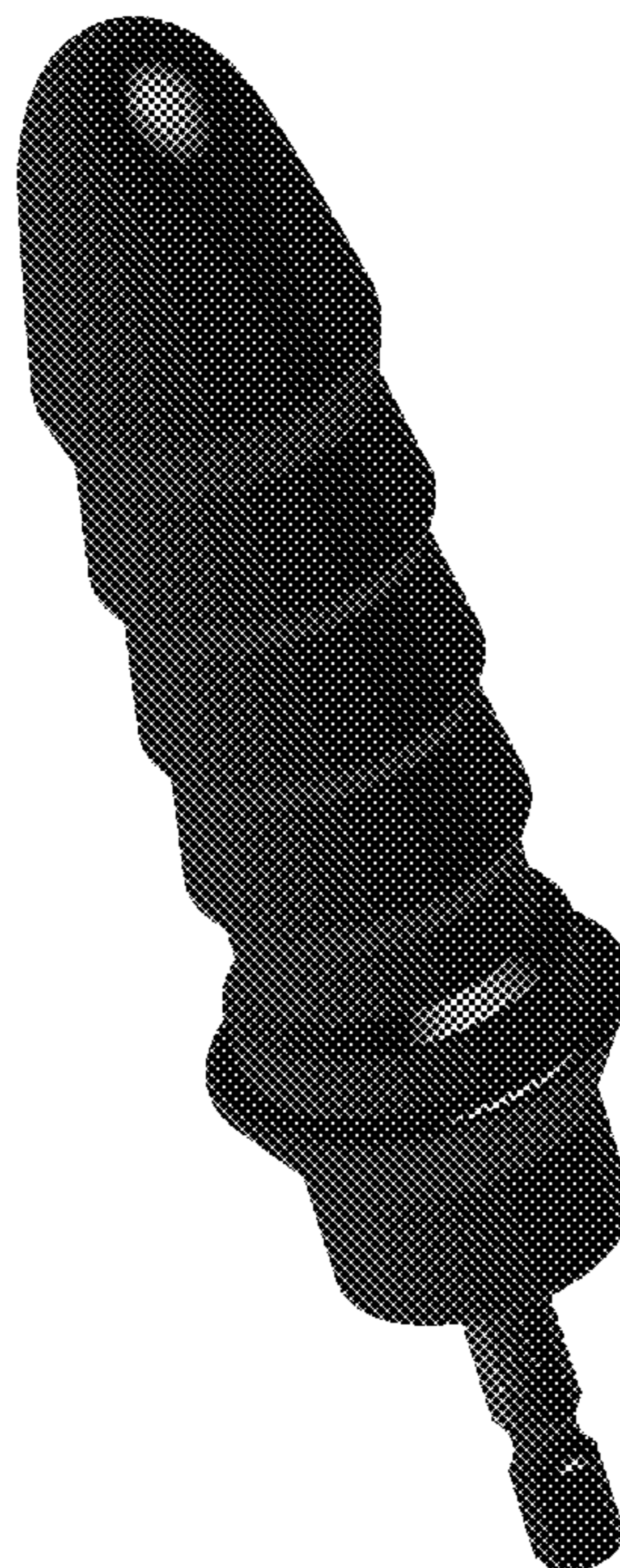
(57) **CLAIM**

The ornamental design for a vibrator, as shown and
described.

DESCRIPTION

FIG. 1 is a perspective view of a vibrator with the orna-
mental design;
FIG. 2 is a front side view of the vibrator of FIG. 1, with the
rear, left and right view being the same as the front side
view;
FIG. 3 is a top view of the vibrator of FIG. 1; and,
FIG. 4 is a bottom view of the vibrator of FIG. 1.
The areas shown within the broken lines represent portions
of the vibrator which form no portion of the claimed design.

1 Claim, 3 Drawing Sheets



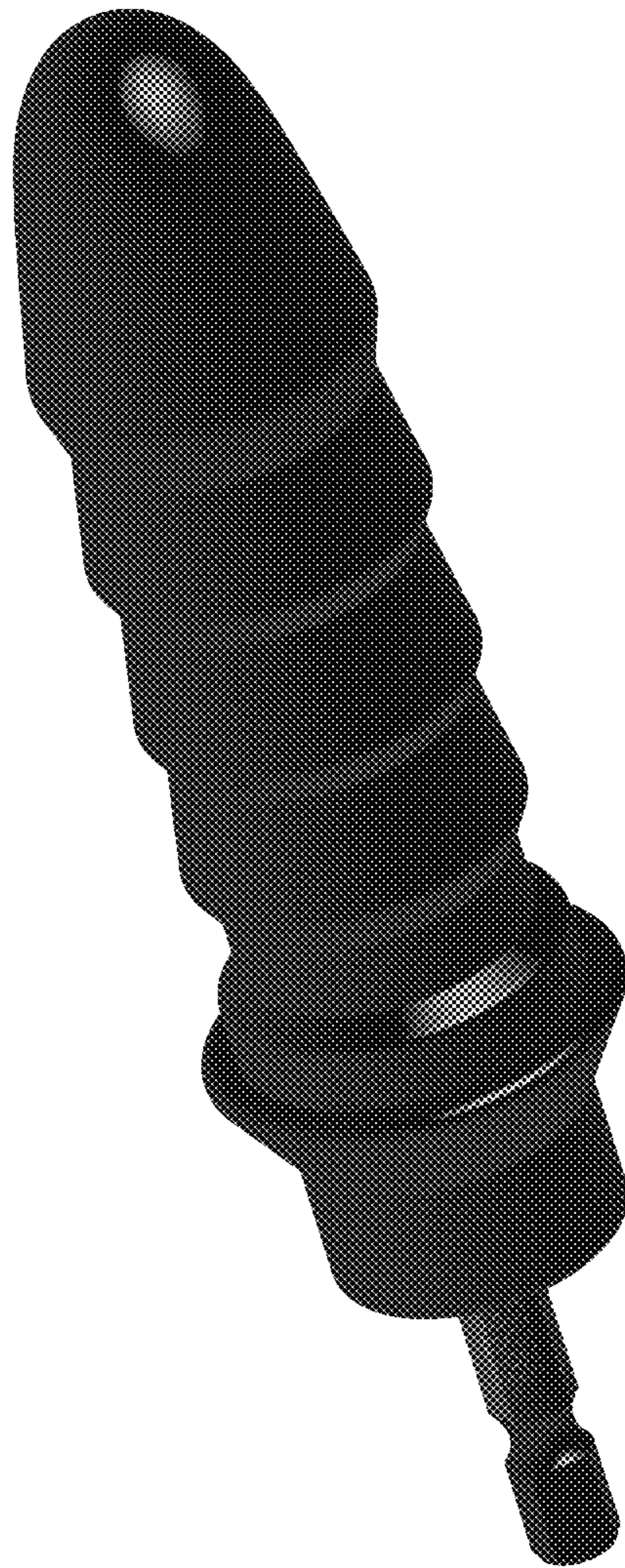


Fig. 1

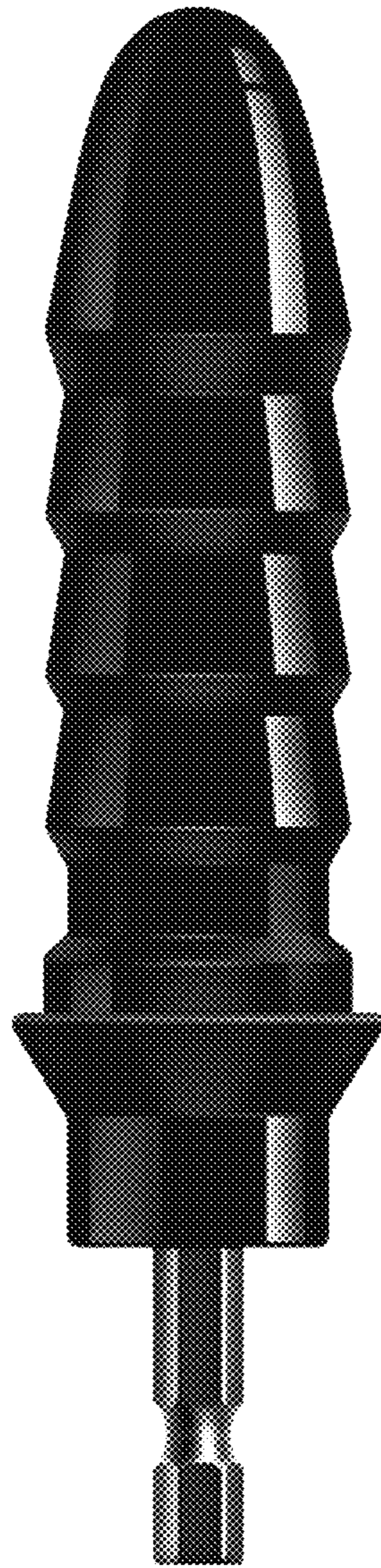


Fig. 2

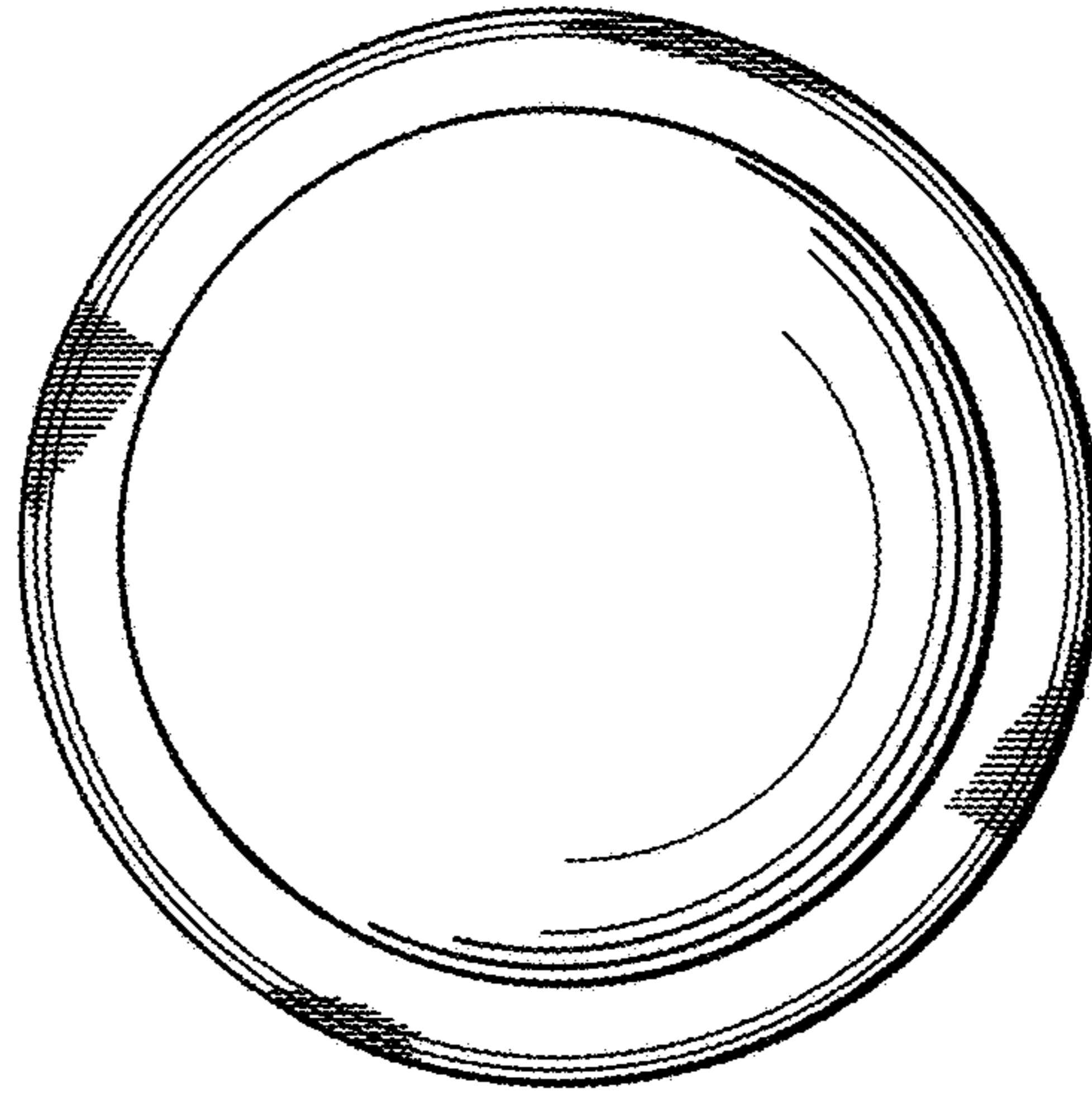


Fig. 3

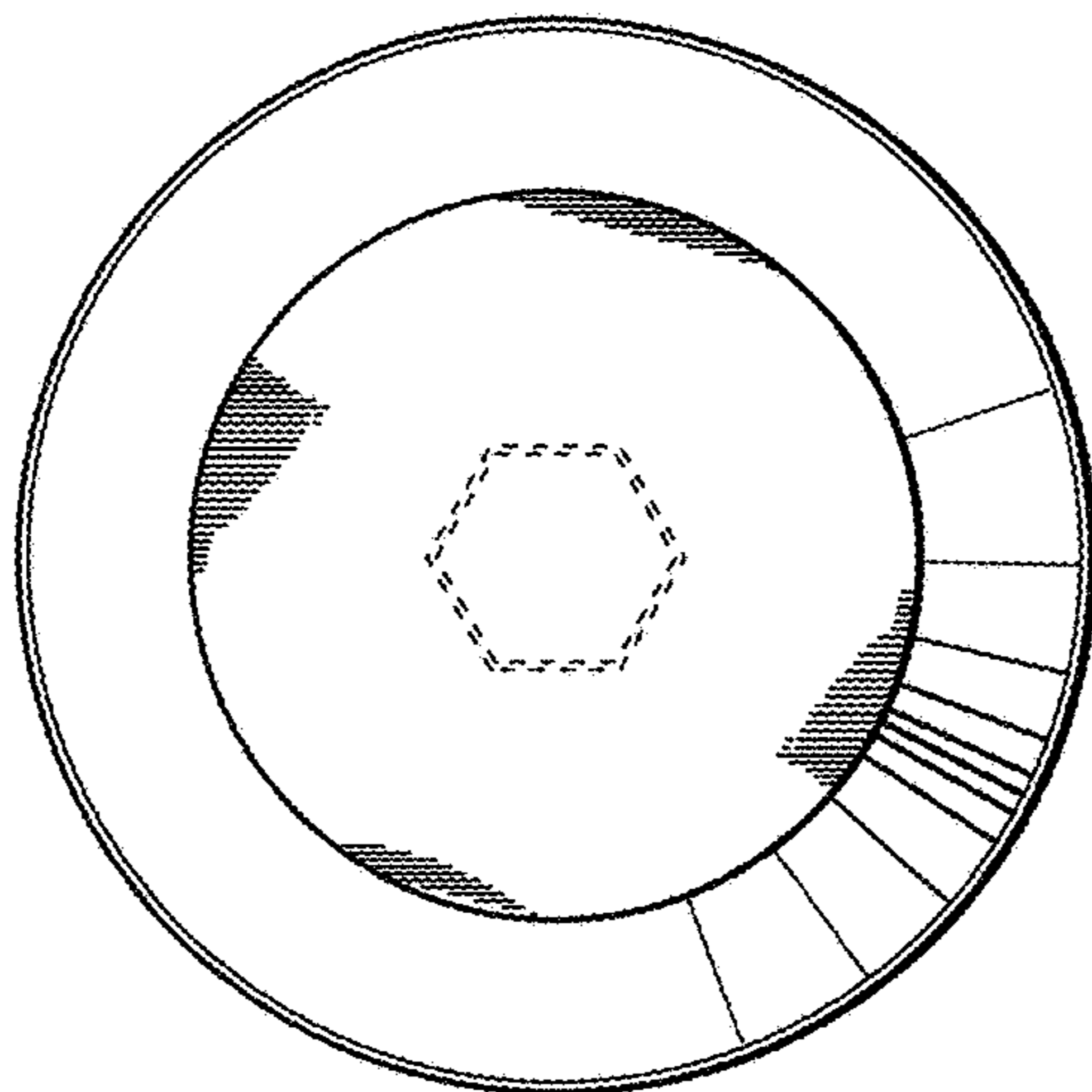


Fig. 4