



US00D861908S

(12) **United States Design Patent**
Gan

(10) **Patent No.:** **US D861,908 S**

(45) **Date of Patent:** **** Oct. 1, 2019**

(54) **SKIN CLEANING DEVICE**

(71) Applicant: **SHENZHEN VALUELINK
E-COMMERCE CO., LTD.**, Shenzhen
(CN)

(72) Inventor: **Qingcao Gan**, Shenzhen (CN)

(73) Assignee: **SHENZHEN VALUELINK
E-COMMERCE CO., LTD.**, Shenzhen
(CN)

(**) Term: **15 Years**

(21) Appl. No.: **29/606,976**

(22) Filed: **Jun. 9, 2017**

(51) **LOC (12) Cl.** **28-03**

(52) **U.S. Cl.**
USPC **D24/214**

(58) **Field of Classification Search**
USPC D24/200, 211, 212, 213, 214, 215;
601/19, 22, 46, 52, 63, 80, 99, 104,
601/110–114, 118–120, 125, 134, 151,
601/152, DIG. 12, DIG. 14, DIG. 16,
601/DIG. 17
CPC A61H 1/00; A61H 1/001; A61H 1/0237;
A61H 2015/0007; A61H 2015/0014;
A61H 2015/0042; A61H 2015/0064;
A61H 15/00; A61H 2011/005; A61H
19/44; A61H 19/50; A61H 21/00; A61H
37/00

See application file for complete search history.

(56) **References Cited**

U.S. PATENT DOCUMENTS

D377,394 S * 1/1997 Tillman D24/215
D533,943 S * 12/2006 Chen D24/146
D659,843 S * 5/2012 Wang D24/200

D819,221 S * 5/2018 Lei D24/200
2016/0184175 A1* 6/2016 Caberlotto A61H 15/0085
601/114
2016/0184176 A1* 6/2016 Caberlotto A61H 15/0085
601/114
2016/0184177 A1* 6/2016 Caberlotto A61H 15/0085
601/114

* cited by examiner

Primary Examiner — Sandra S Snapp

(74) *Attorney, Agent, or Firm* — Wayne & Ken, LLC;
Tony Hom

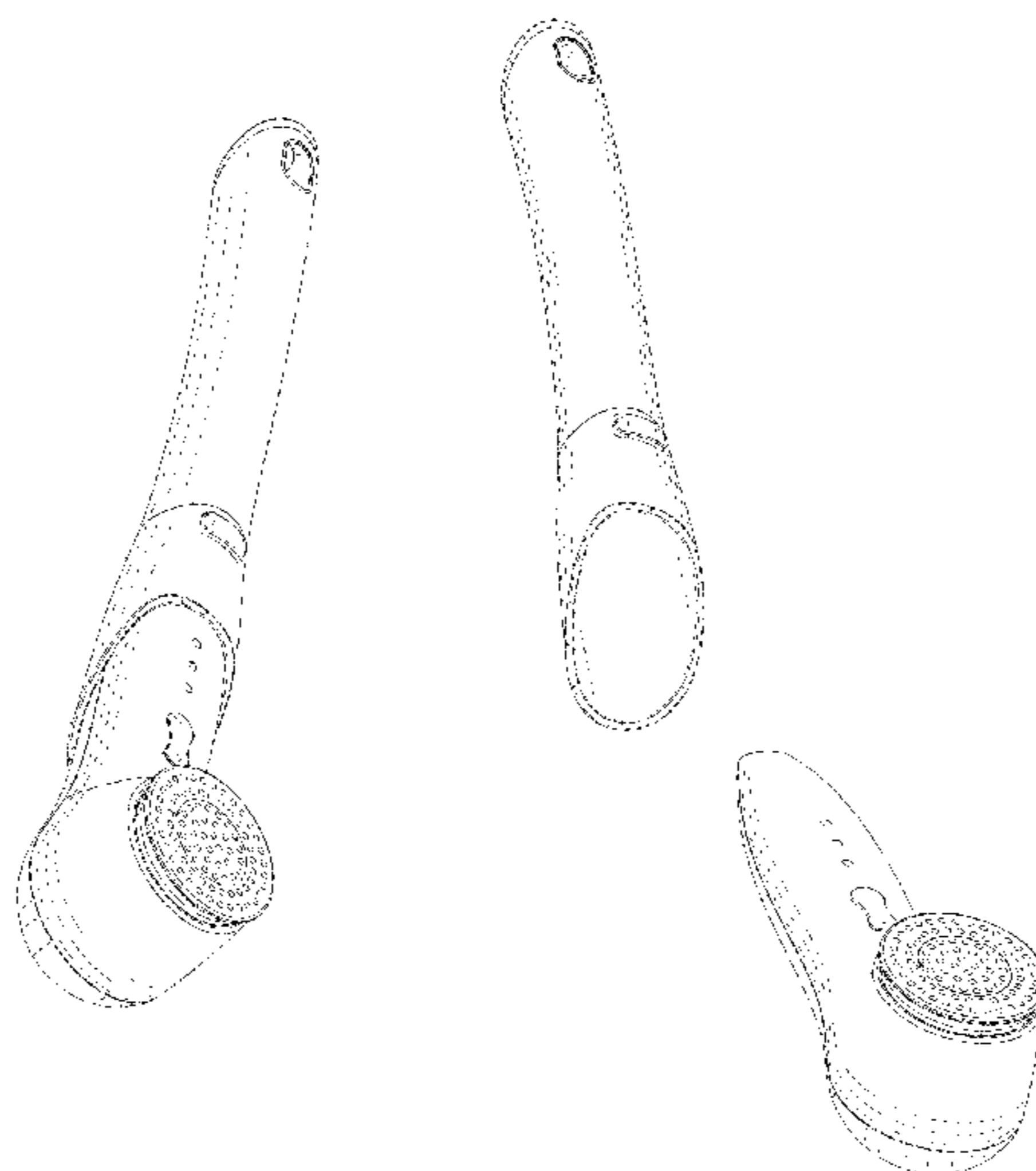
(57) **CLAIM**

A new, original, ornamental design for a skin cleaning device, as shown.

DESCRIPTION

FIG. 1 is a schematic view showing an assembled form of a skin cleaning device;
FIG. 2 is a schematic view showing a disassembled form of the skin cleaning device;
FIG. 3 is another schematic view showing an assembled form of the skin cleaning device;
FIG. 4 is another schematic view showing a disassembled form thereof;
FIG. 5 is a front view of an assembled form thereof;
FIG. 6 is a front view of a disassembled form thereof;
FIG. 7 is a back view of an assembled form thereof;
FIG. 8 is a back view of a disassembled form thereof;
FIG. 9 is a left view of an assembled form thereof;
FIG. 10 is a left view of a disassembled form thereof;
FIG. 11 is a right view of an assembled form thereof;
FIG. 12 is a right view of a disassembled form thereof;
FIG. 13 is a top view of an assembled form thereof;
FIG. 14 is a top view of a disassembled form thereof;
FIG. 15 is a bottom view of an assembled form thereof; and,
FIG. 16 is a bottom view of a disassembled form thereof.
The broken lines in the figures illustrate portions of the skin cleaning device that form no part of the claimed design.

1 Claim, 16 Drawing Sheets



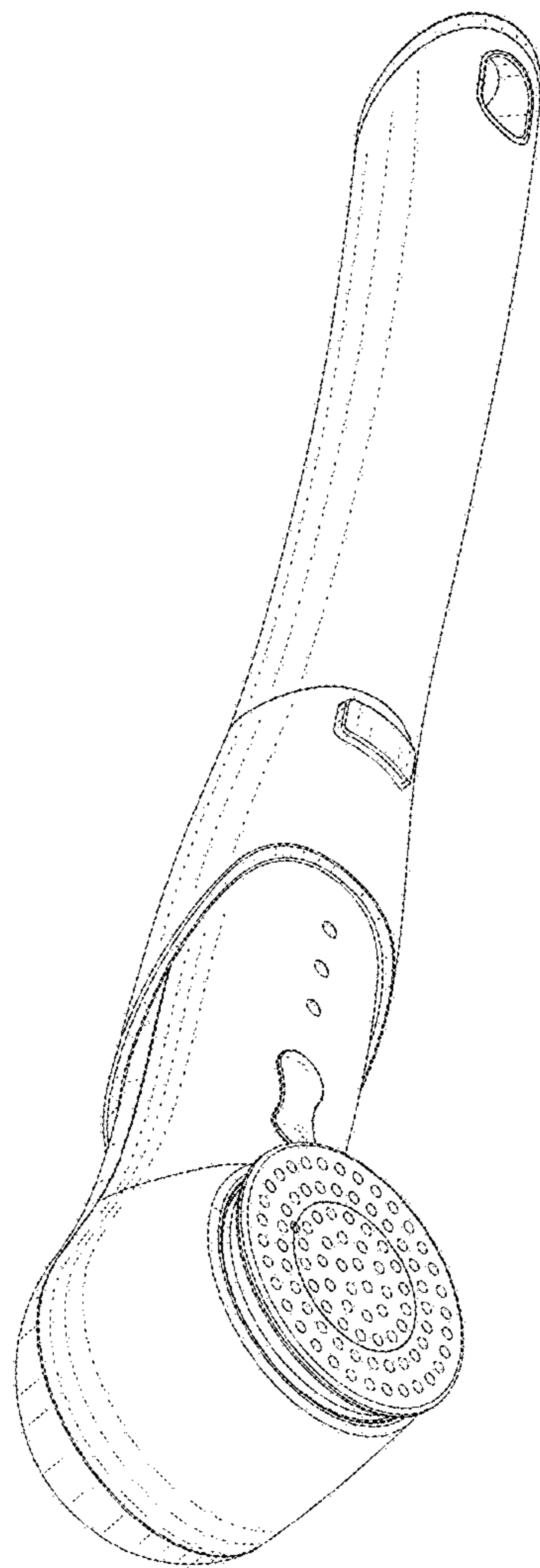


FIG. 1

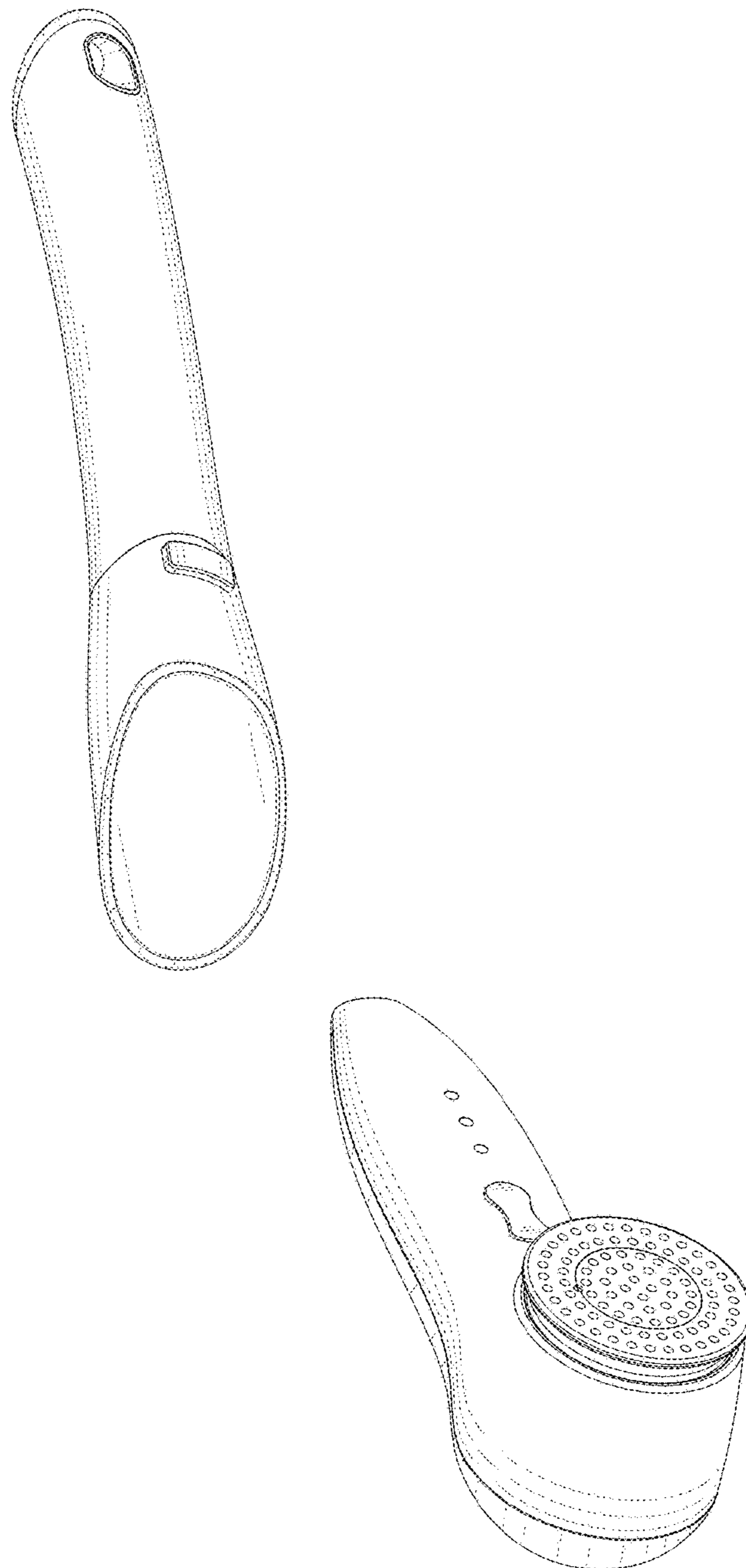


FIG. 2

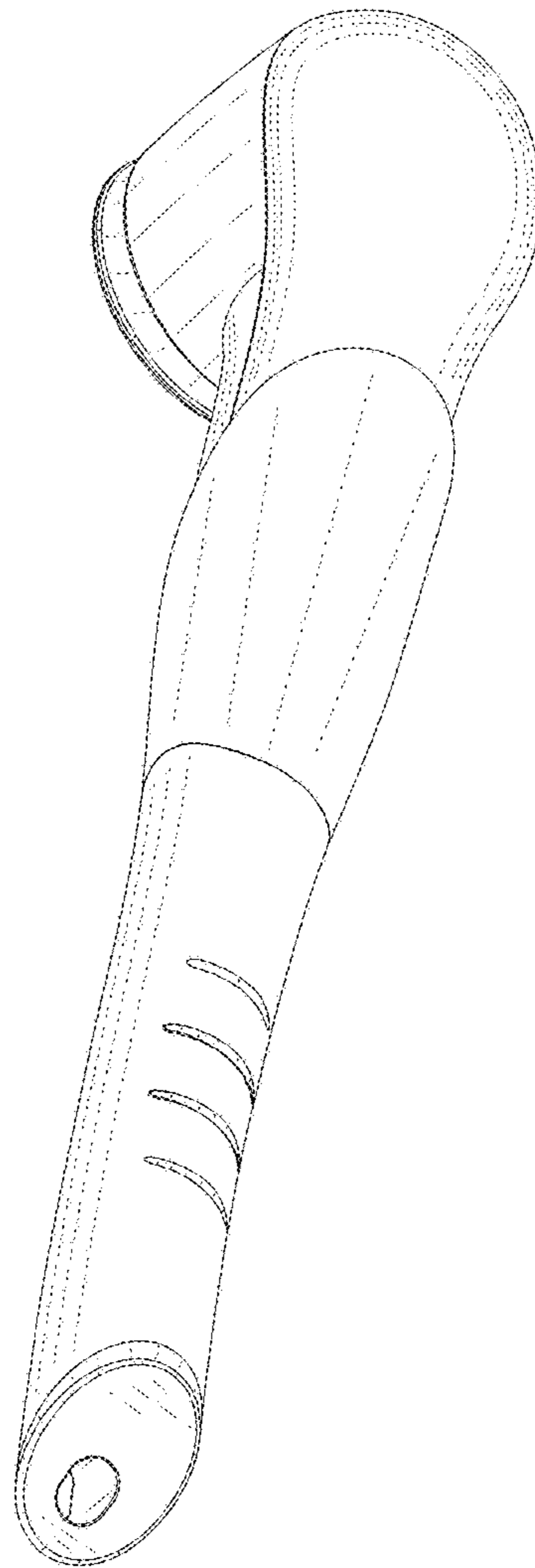


FIG. 3

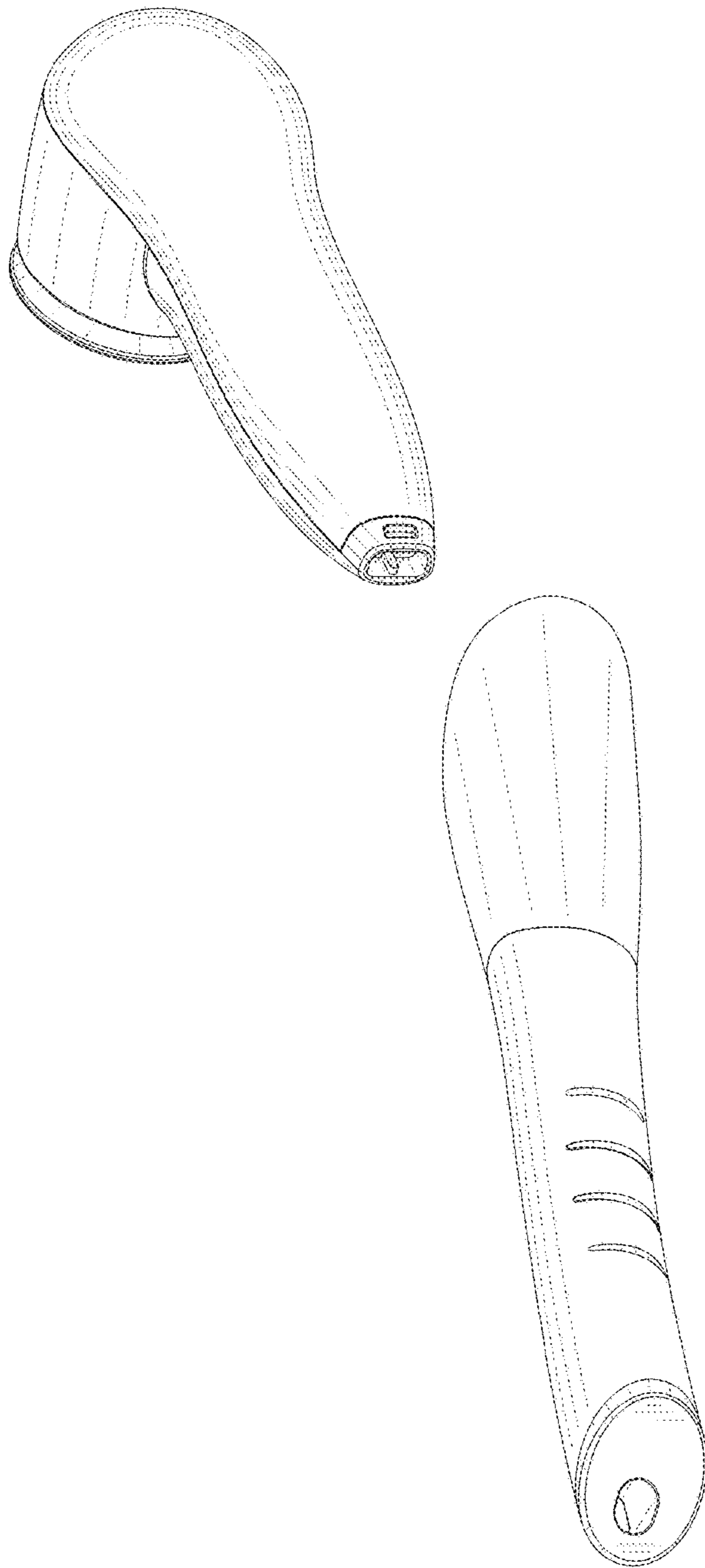


FIG. 4

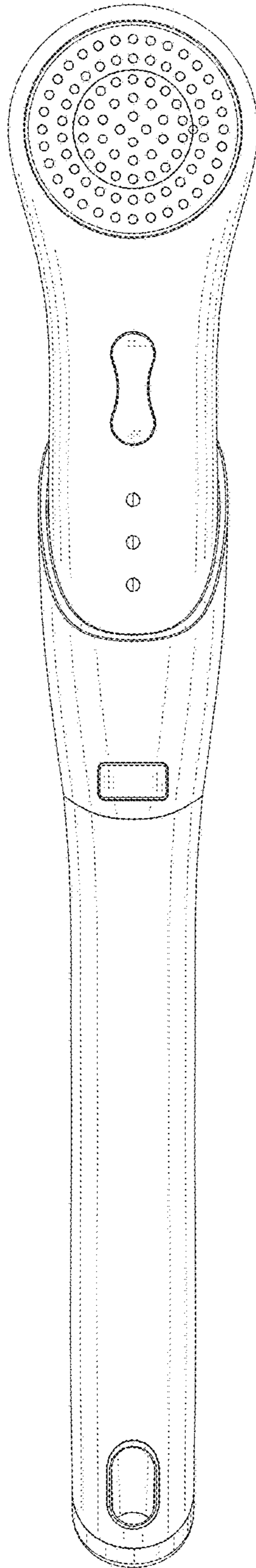


FIG. 5

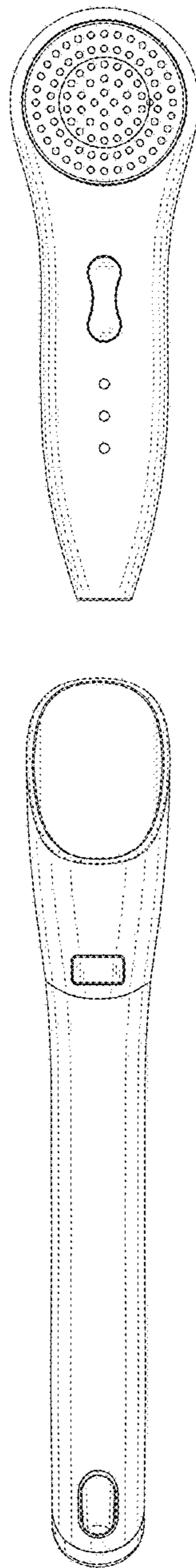


FIG. 6

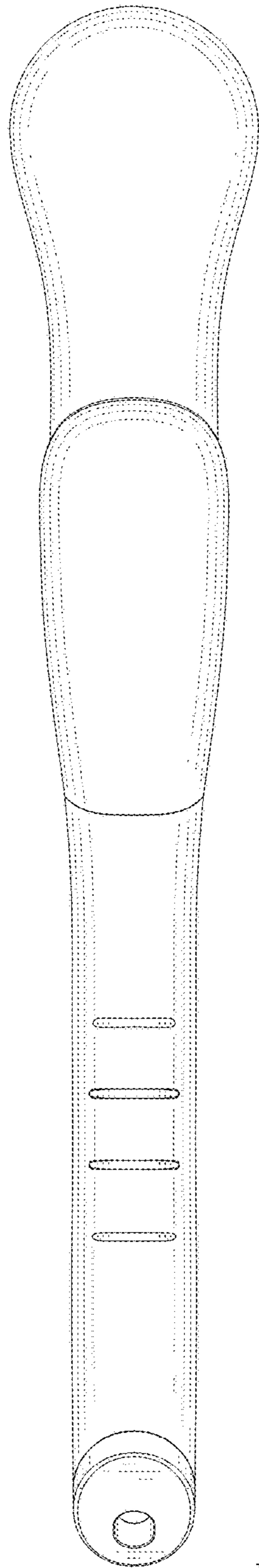


FIG. 7

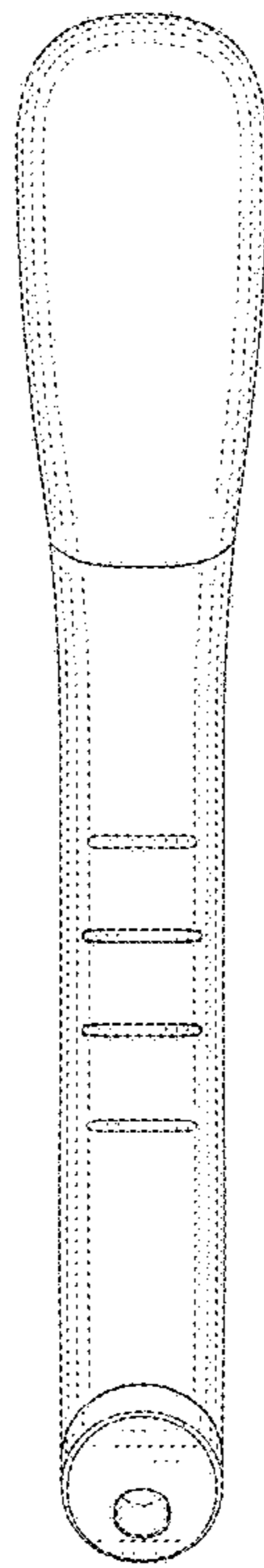
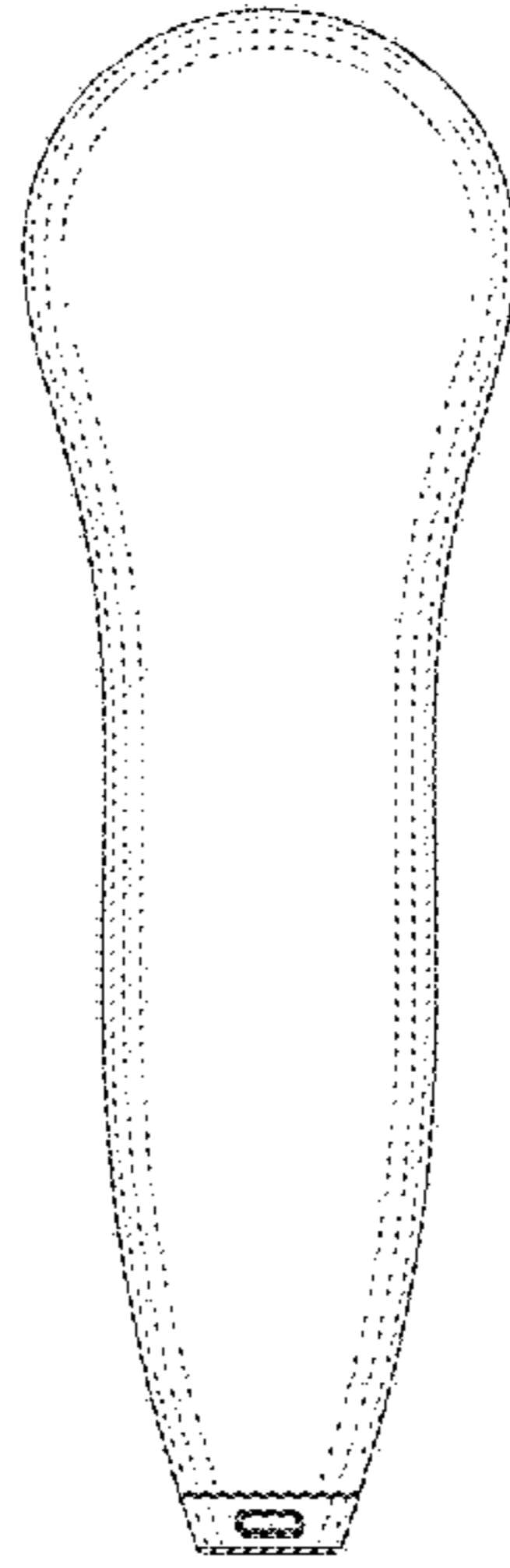


FIG. 8

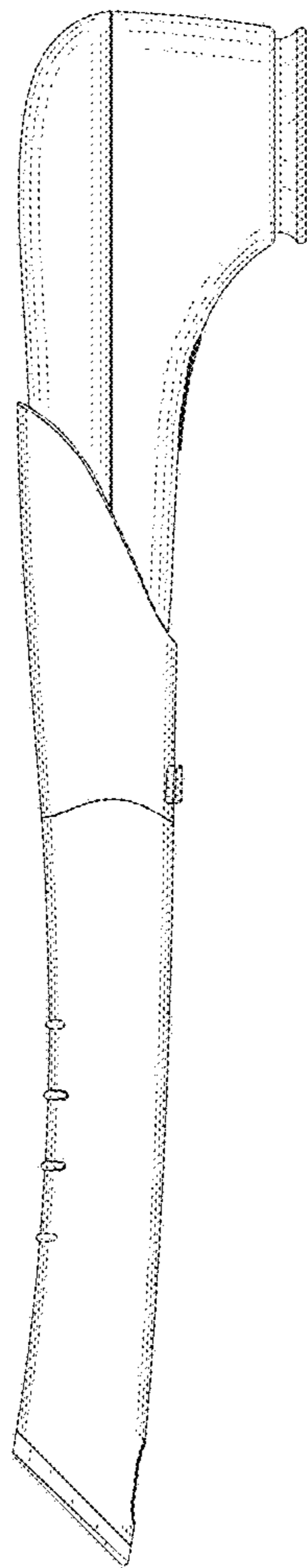


FIG. 9

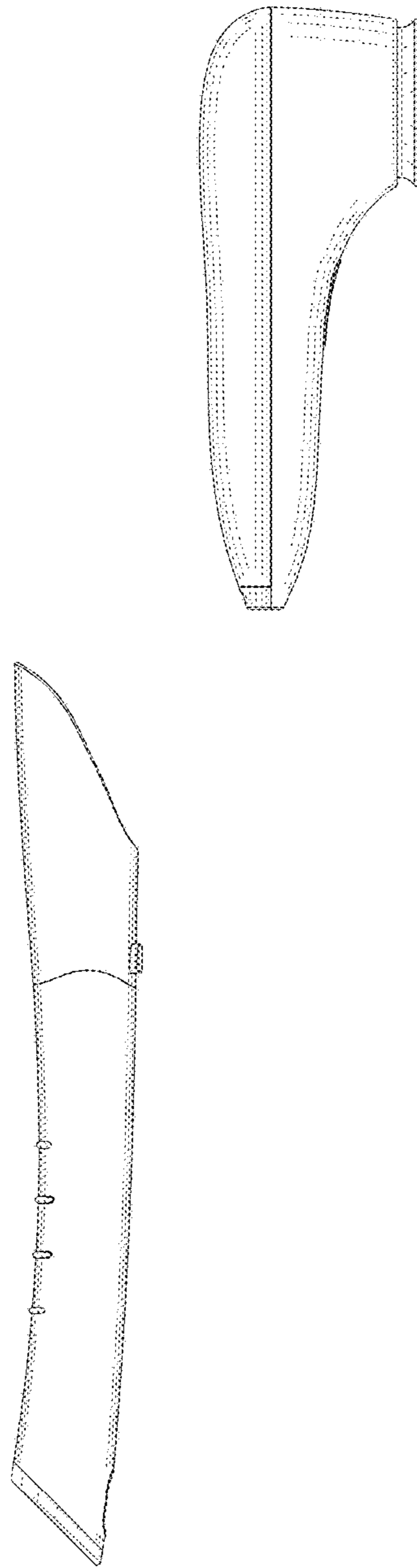


FIG. 10

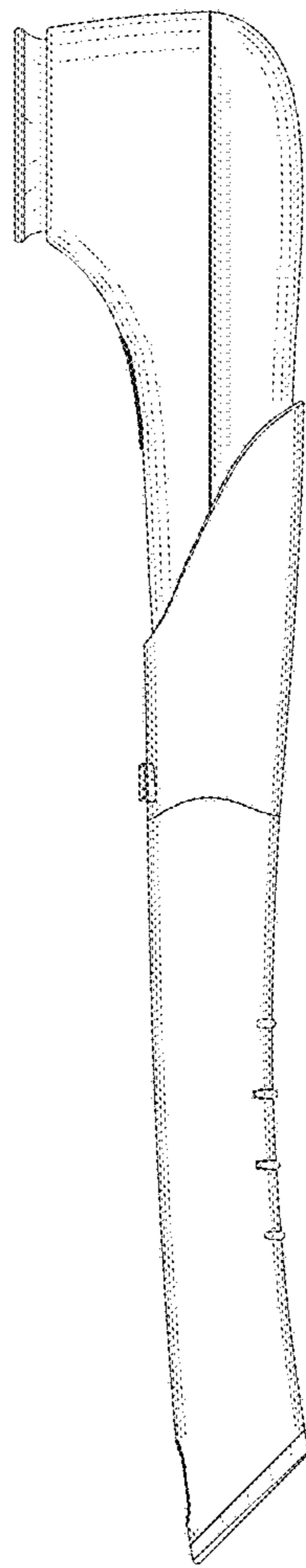


FIG. 11

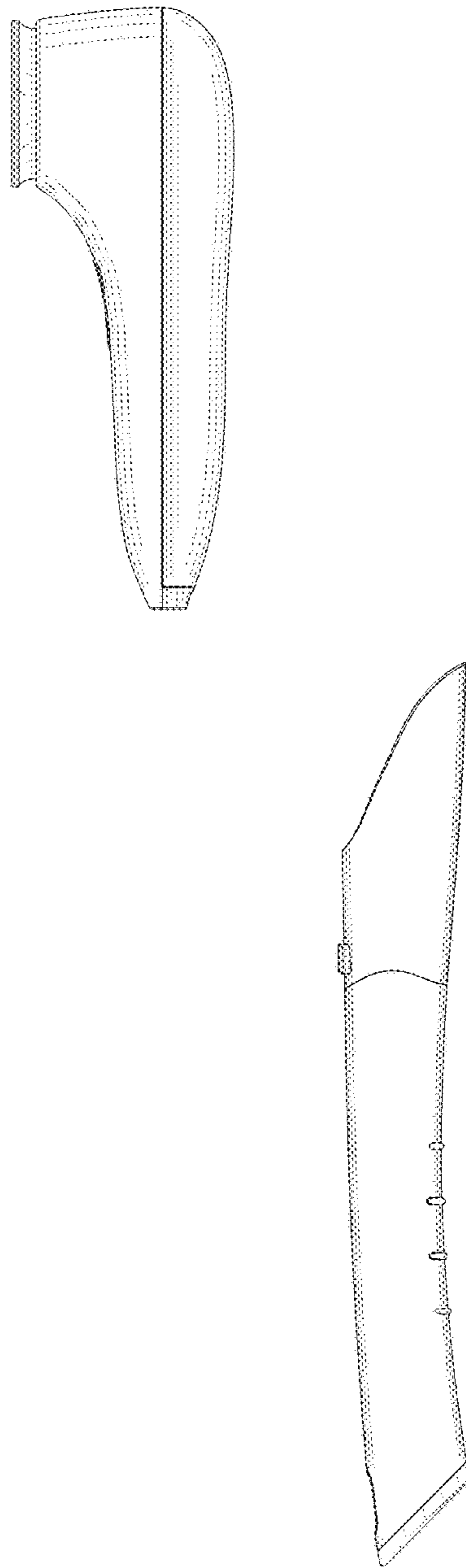


FIG. 12

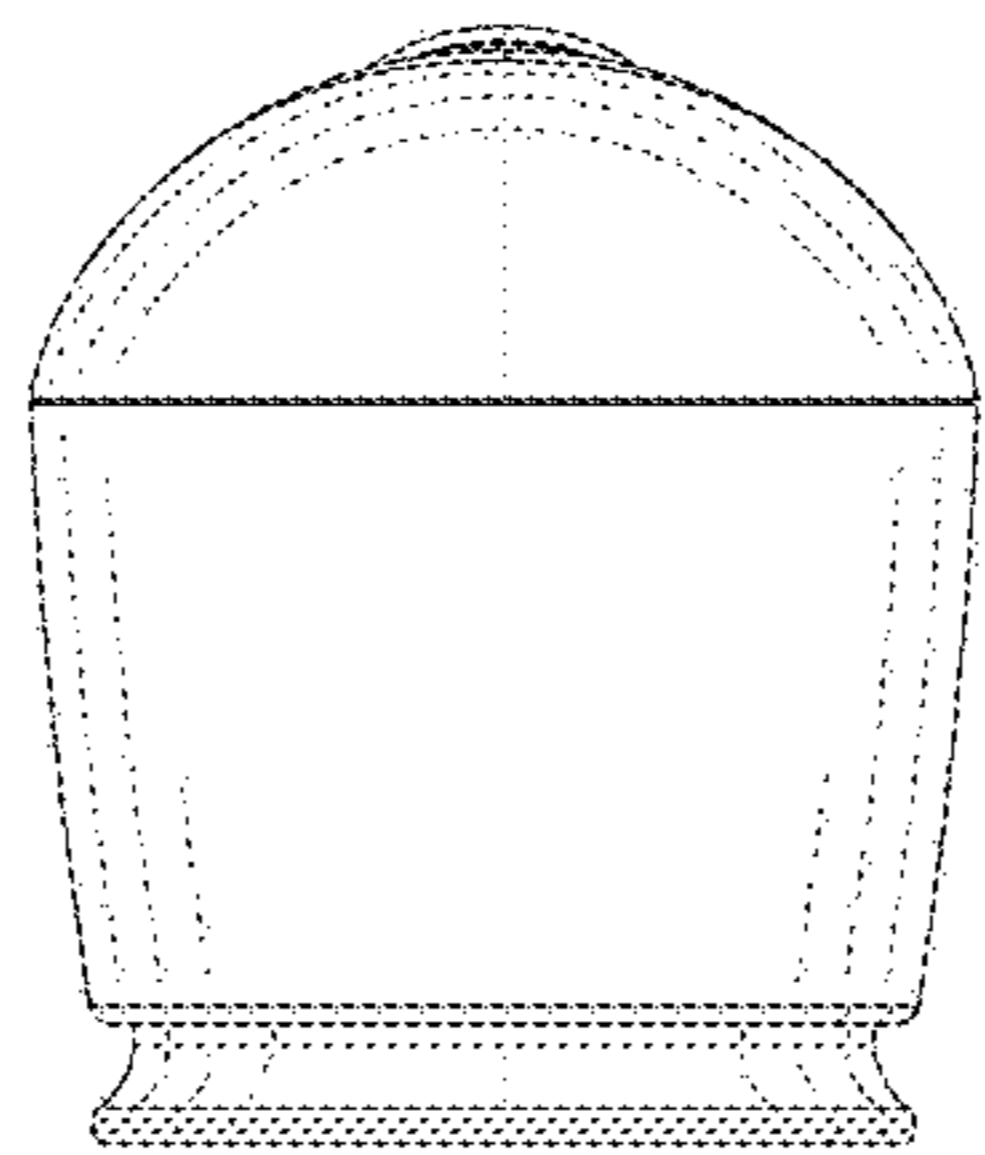


FIG. 13

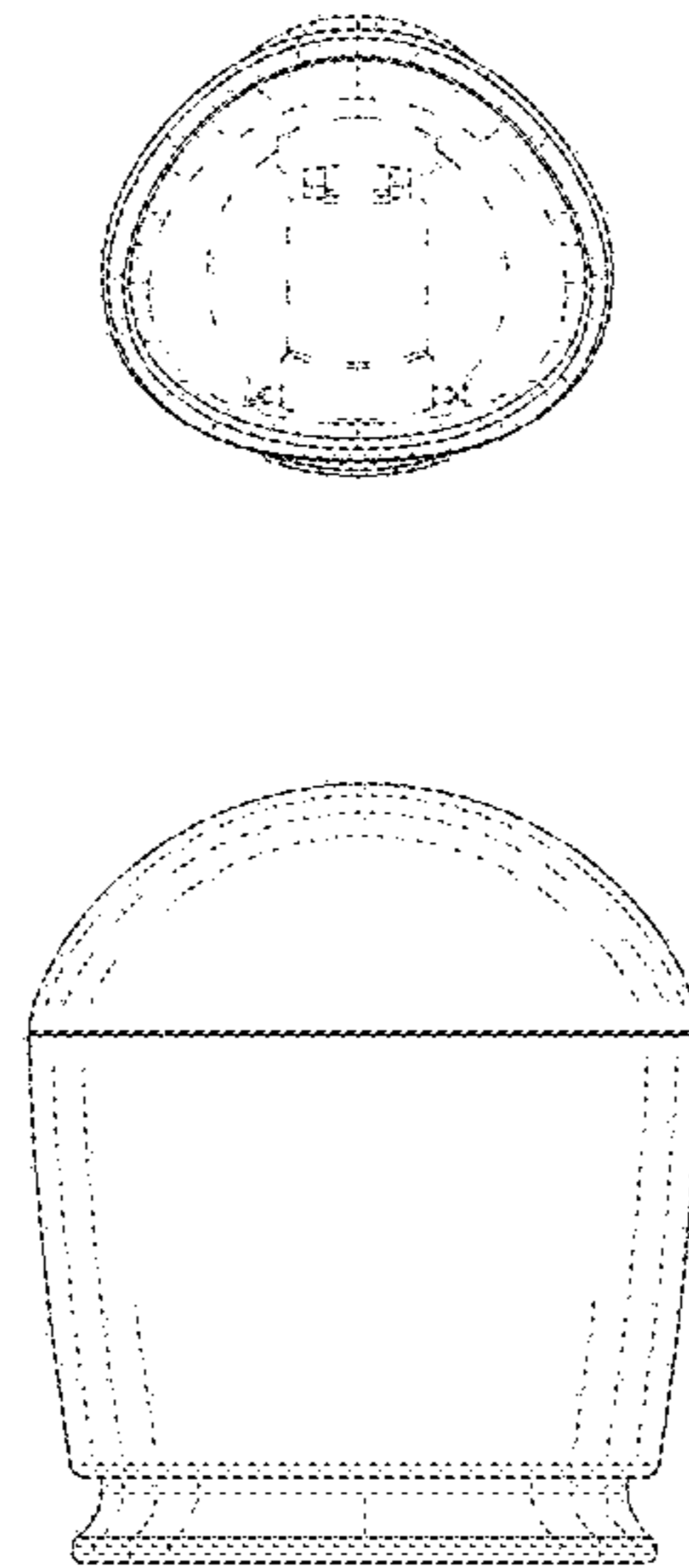


FIG. 14

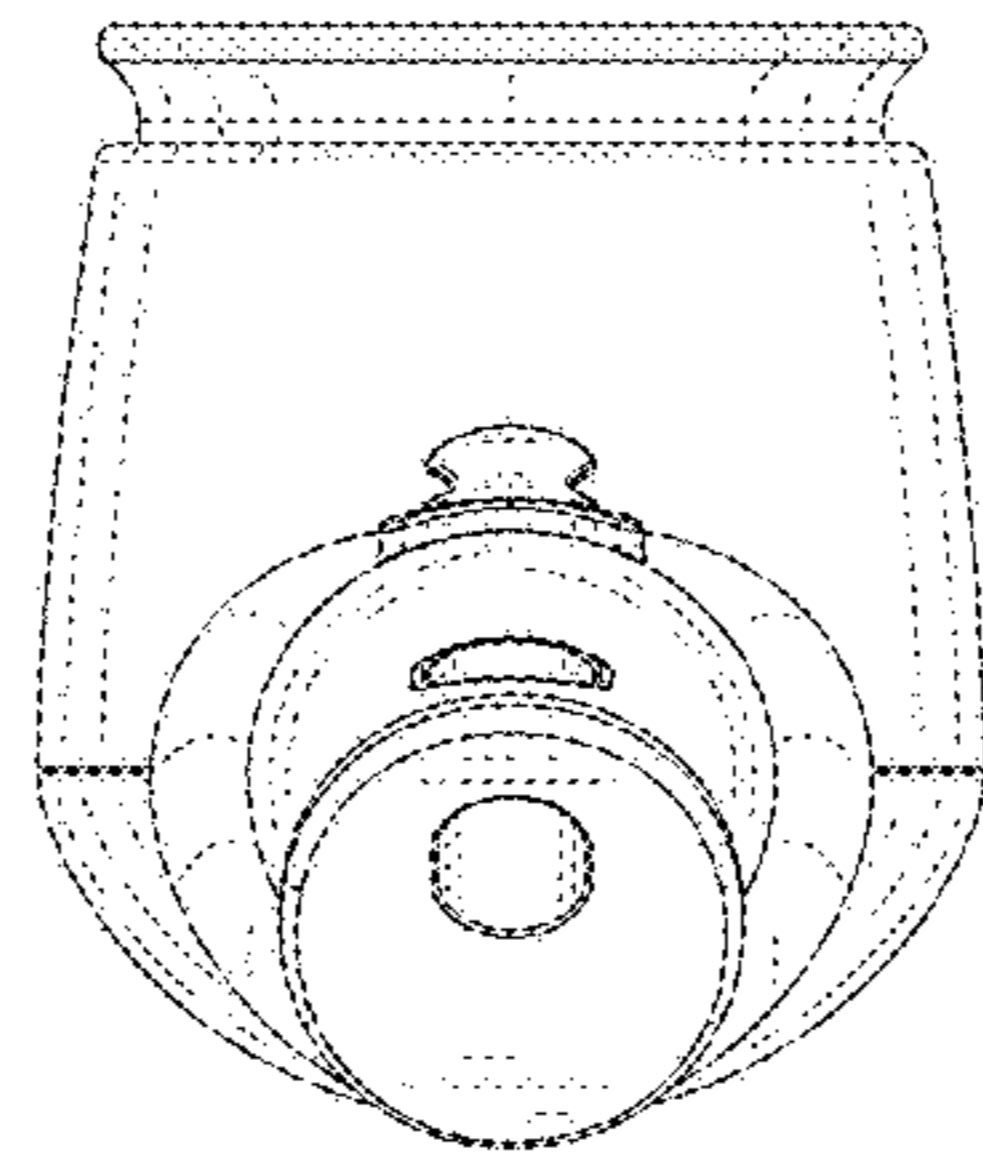


FIG. 15

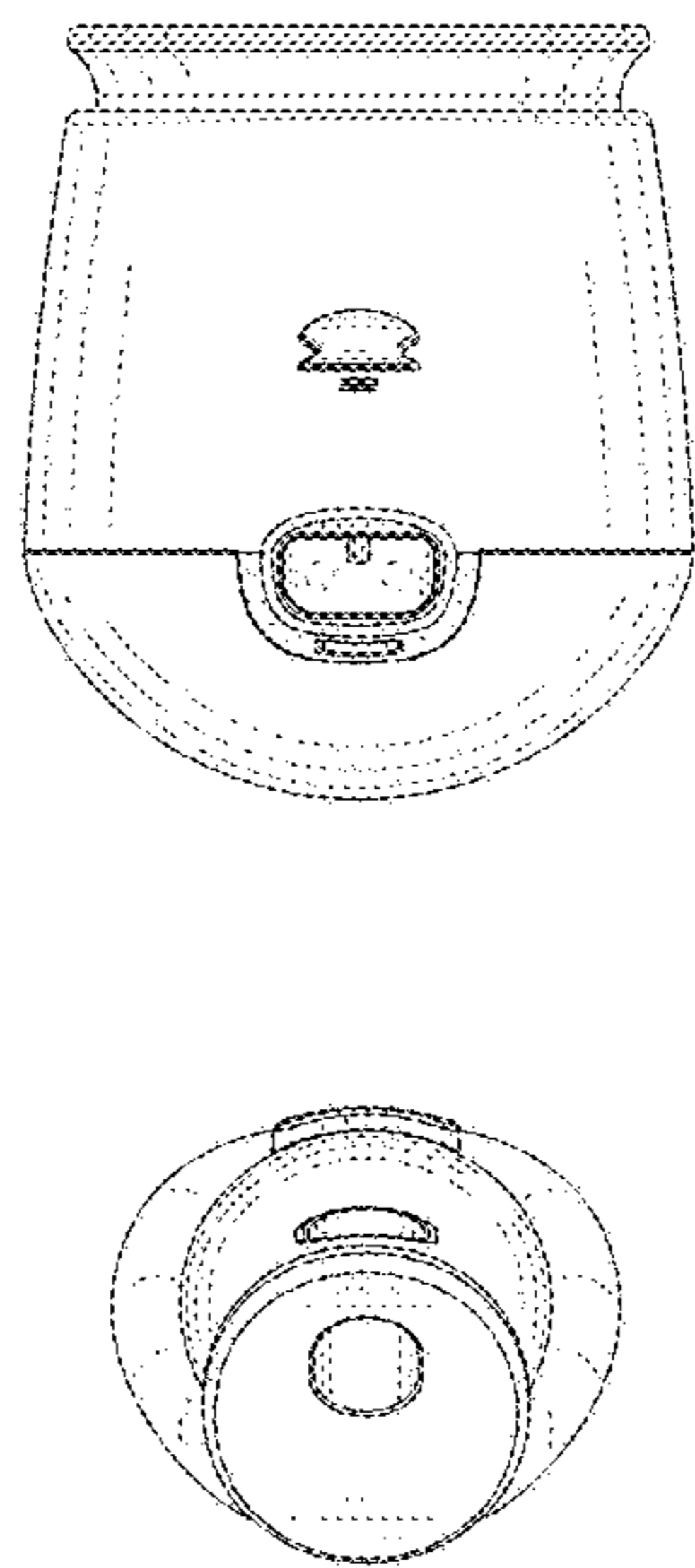


FIG. 16