



US00D861906S

(12) **United States Design Patent**
Matsushita

(10) **Patent No.:** **US D861,906 S**
(45) **Date of Patent:** **** Oct. 1, 2019**

(54) **ESSENCE BOTTLE OF MIST GENERATOR FOR BEAUTY TREATMENT**

(71) Applicant: **MTG CO., LTD.**, Nagoya-shi (JP)

(72) Inventor: **Tsuyoshi Matsushita**, Nagoya (JP)

(73) Assignee: **MTG CO., LTD.**, Nagoya-shi, Aichi (JP)

(**) Term: **15 Years**

(21) Appl. No.: **29/618,459**

(22) Filed: **Sep. 21, 2017**

(30) **Foreign Application Priority Data**

Aug. 11, 2017 (JP) 2017-017450

(51) **LOC (12) Cl.** **23-02**

(52) **U.S. Cl.**
USPC **D24/203**

(58) **Field of Classification Search**
USPC D24/201-205, 108, 110; D23/360;
D28/9, 360; D9/448, 682, 685, 687-692
CPC A61H 2033/061; A61H 33/00; A61H
33/066; A61H 33/067; A61H 33/0087;
A61H 33/02; A61H 33/60; A61H
33/6063; A61H 2201/105; A63B 21/0023;
B65D 83/384

See application file for complete search history.

(56) **References Cited**

U.S. PATENT DOCUMENTS

D533,650 S * 12/2006 Ohta D23/360
D641,252 S * 7/2011 Butler D9/690

D650,690 S * 12/2011 Guglielmo D9/559
D670,570 S * 11/2012 Matsushita D9/529
D688,563 S * 8/2013 Cohen D9/689
D787,948 S * 5/2017 Scott D9/689
D818,840 S * 5/2018 Nagata D9/692
D830,194 S * 10/2018 Maas D9/685
2012/0000937 A1* 1/2012 Cohen B65D 83/201
222/183
2014/0263460 A1* 9/2014 Chen B65D 83/384
222/183

* cited by examiner

Primary Examiner — Anhdao Doan

(74) *Attorney, Agent, or Firm* — Sughrue Mion, PLLC

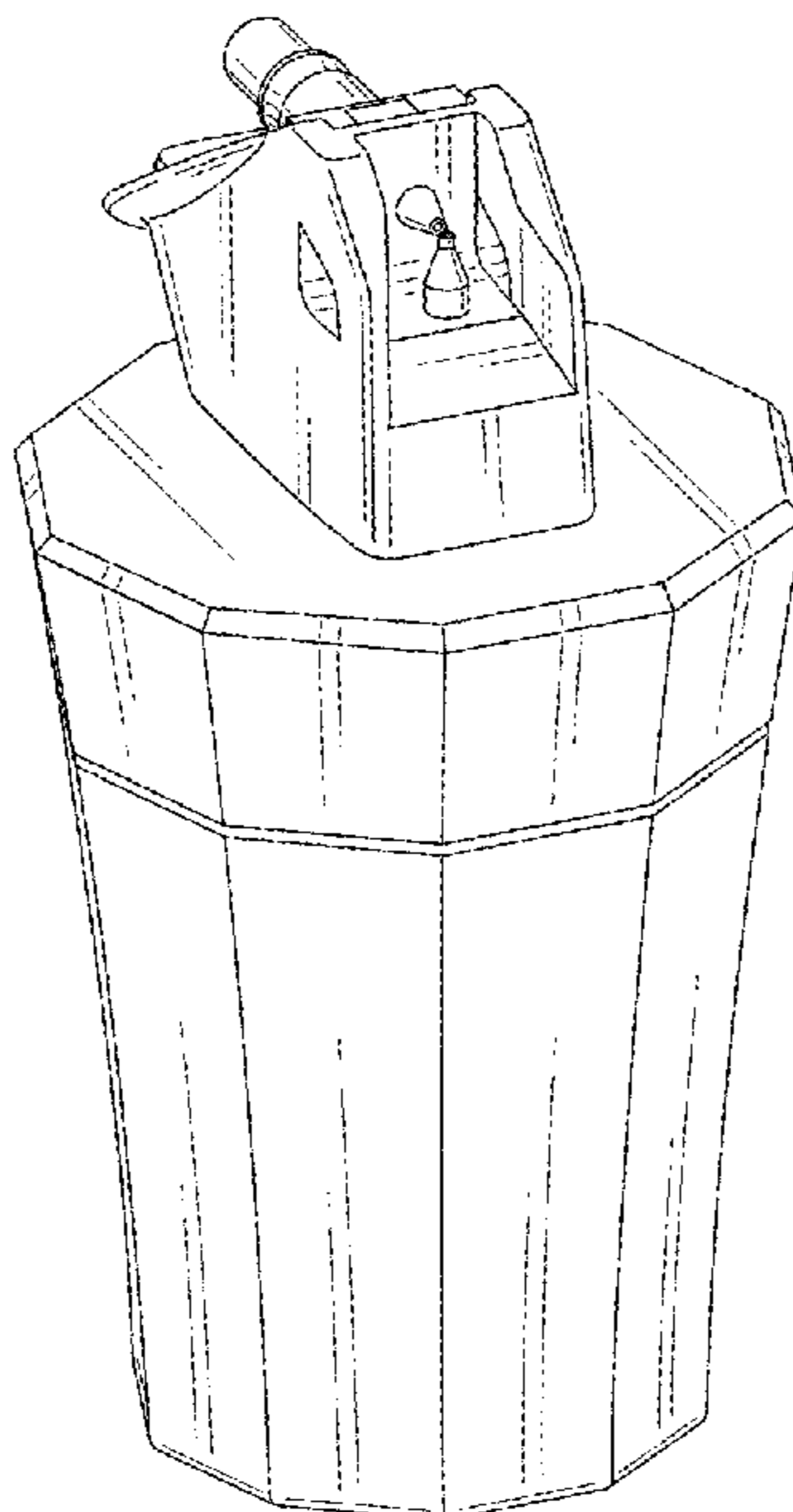
(57) **CLAIM**

The ornamental design for an essence bottle of mist generator for beauty treatment, as shown and described.

DESCRIPTION

FIG. 1 is a perspective view of an essence bottle of mist generator for beauty treatment showing my new design; FIG. 2 is a front view thereof; FIG. 3 is a rear view thereof; FIG. 4 is a left side view thereof; FIG. 5 is a right side view thereof; FIG. 6 is a top view thereof; FIG. 7 is a bottom view thereof; and, FIG. 8 is a perspective view showing usage state thereof. The broken lines in FIGS. 3, 6 and 7 show unclaimed portions of the design and form no part of the claimed design. The broken lines showing of the beauty mist generator in FIG. 8 illustrate environment and form no part of the claimed design.

1 Claim, 5 Drawing Sheets



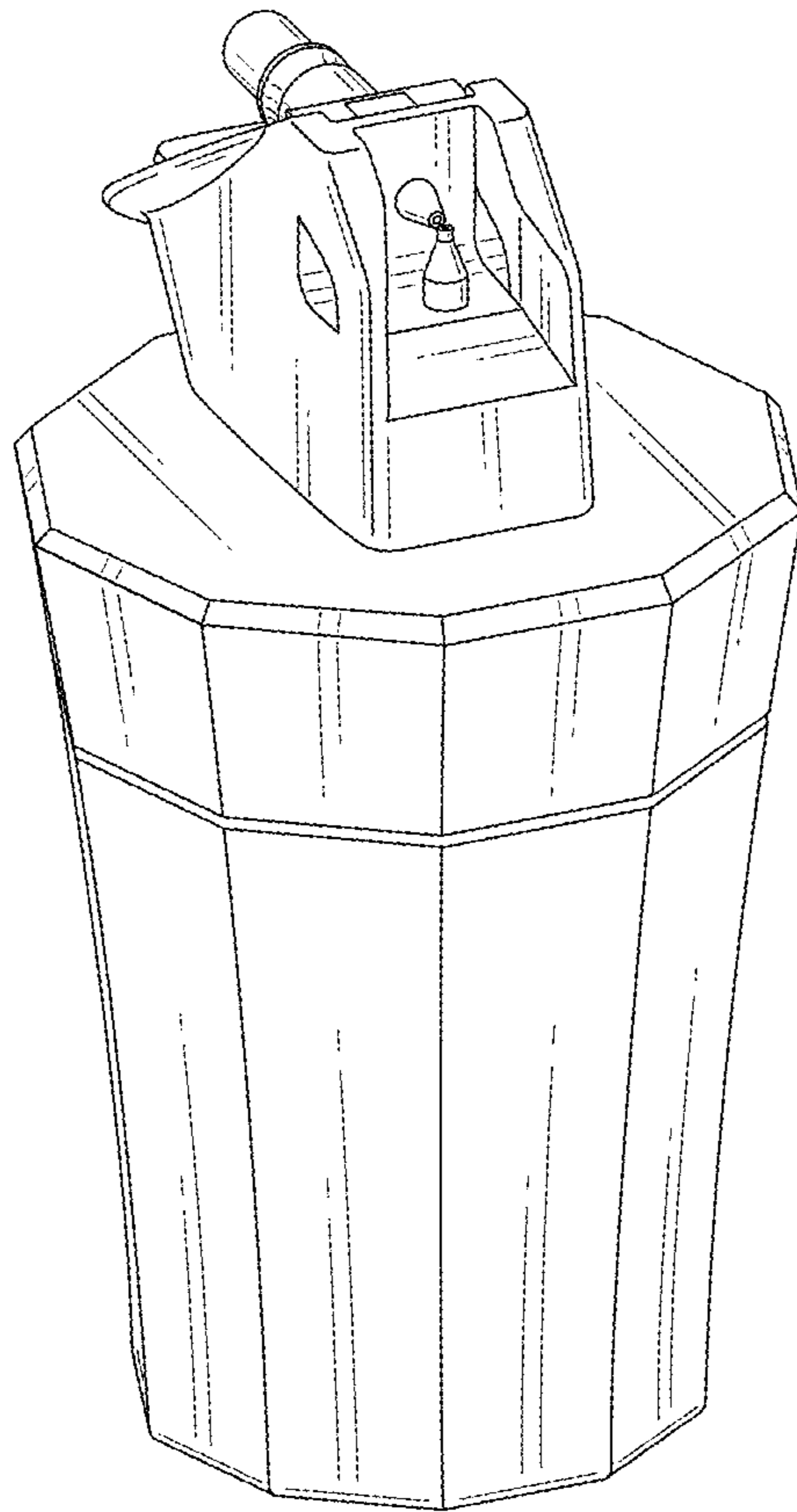


FIG. 1

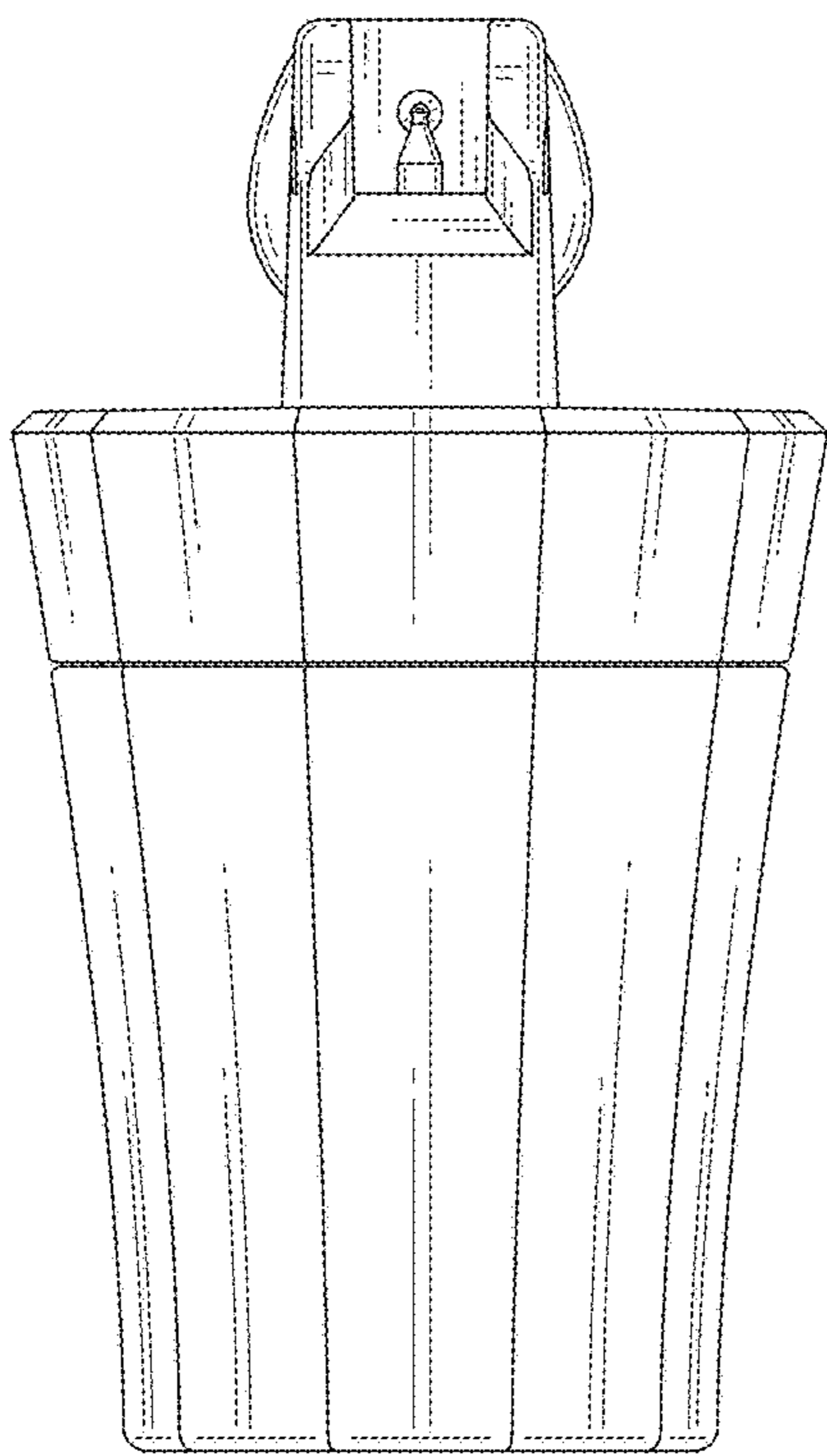


FIG. 2

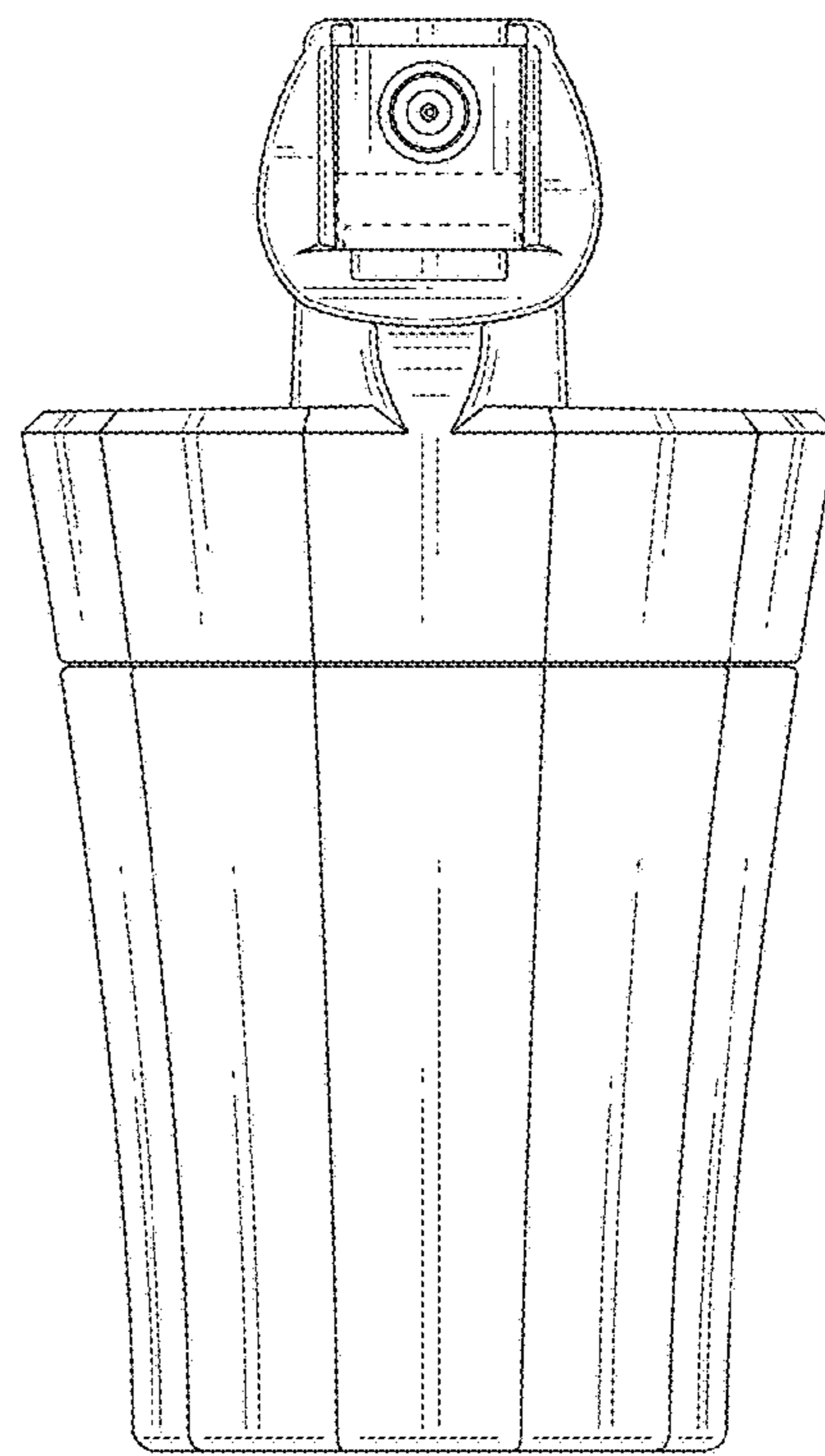


FIG. 3

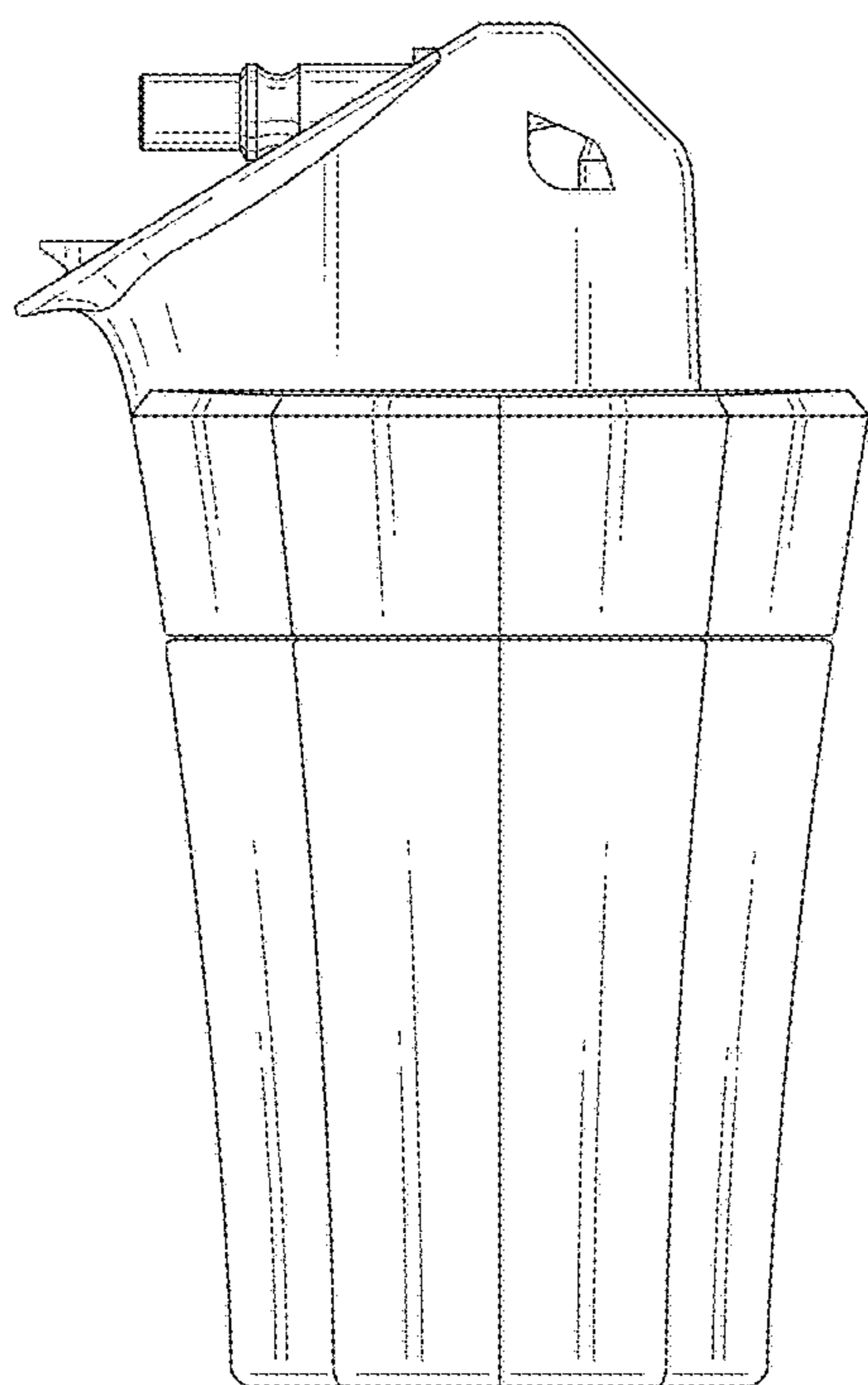


FIG. 4

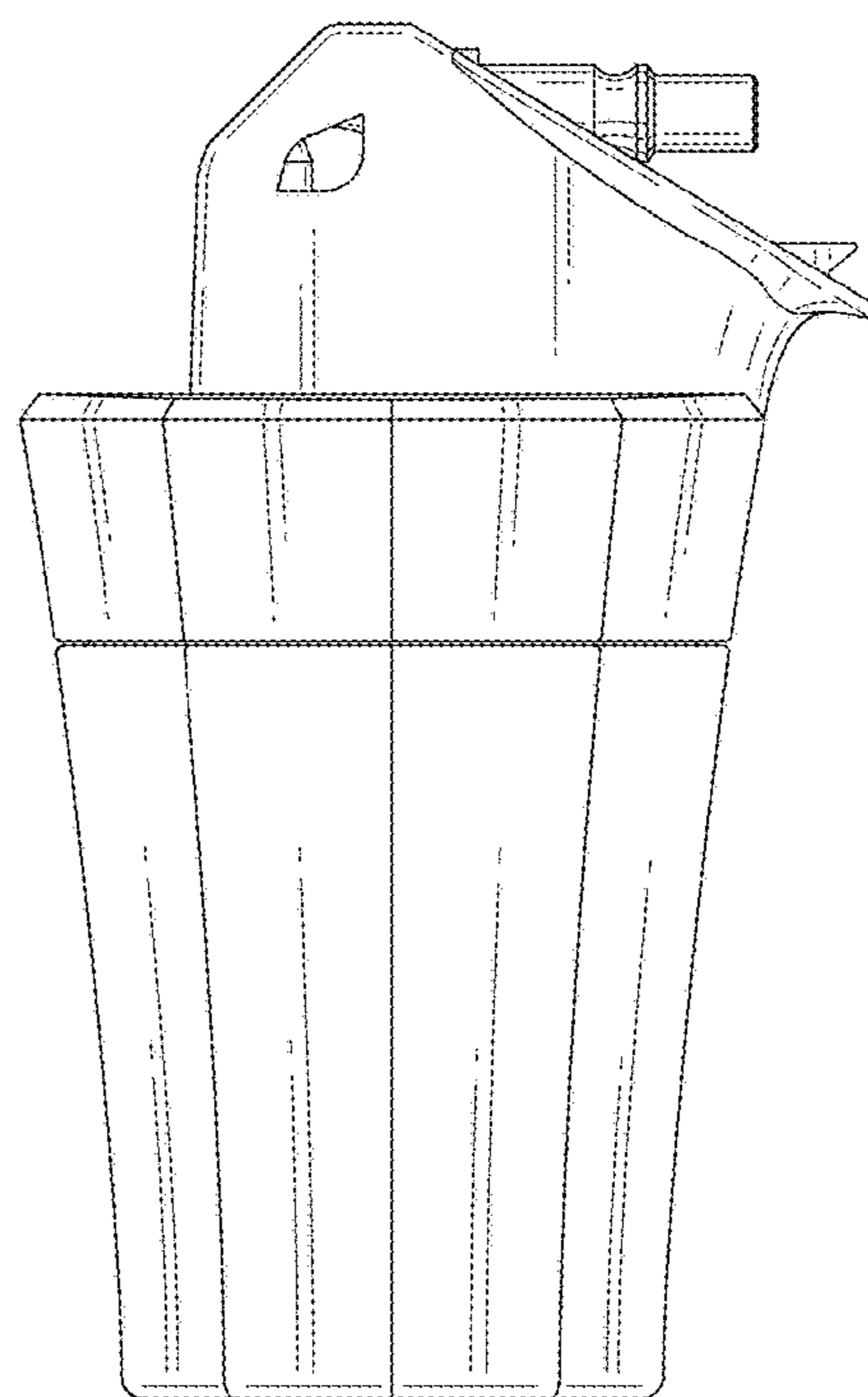


FIG. 5

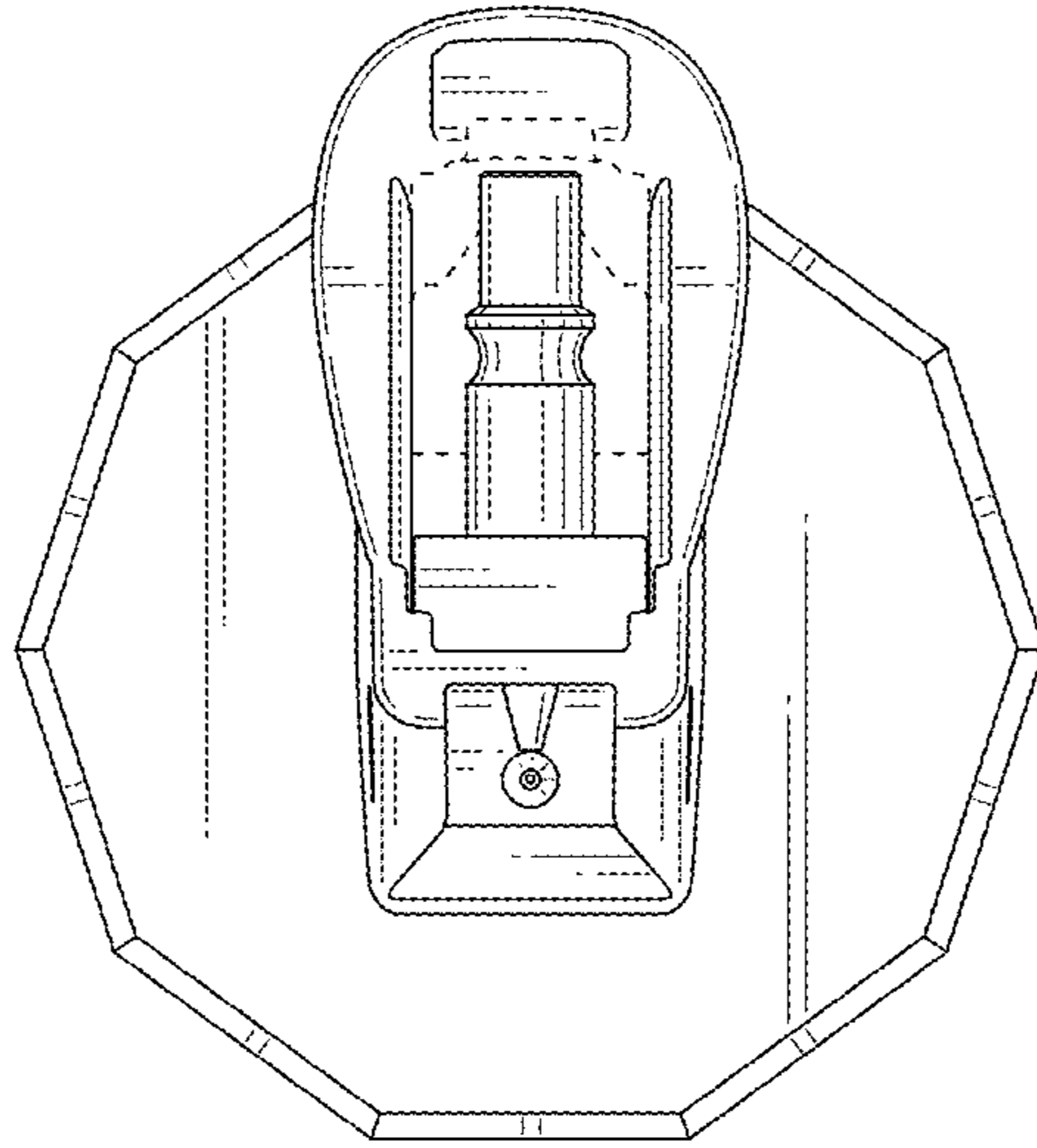


FIG. 6

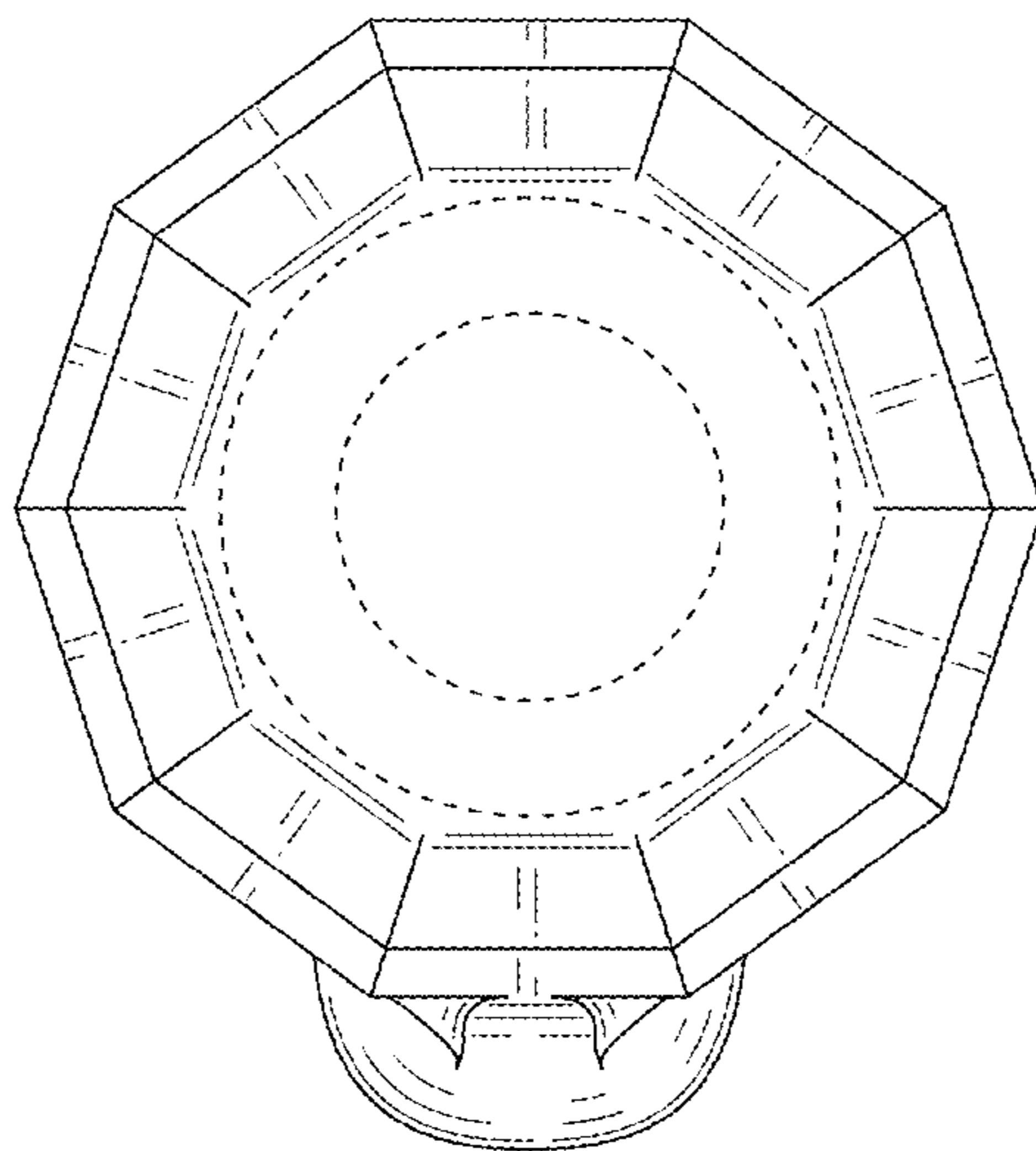


FIG. 7

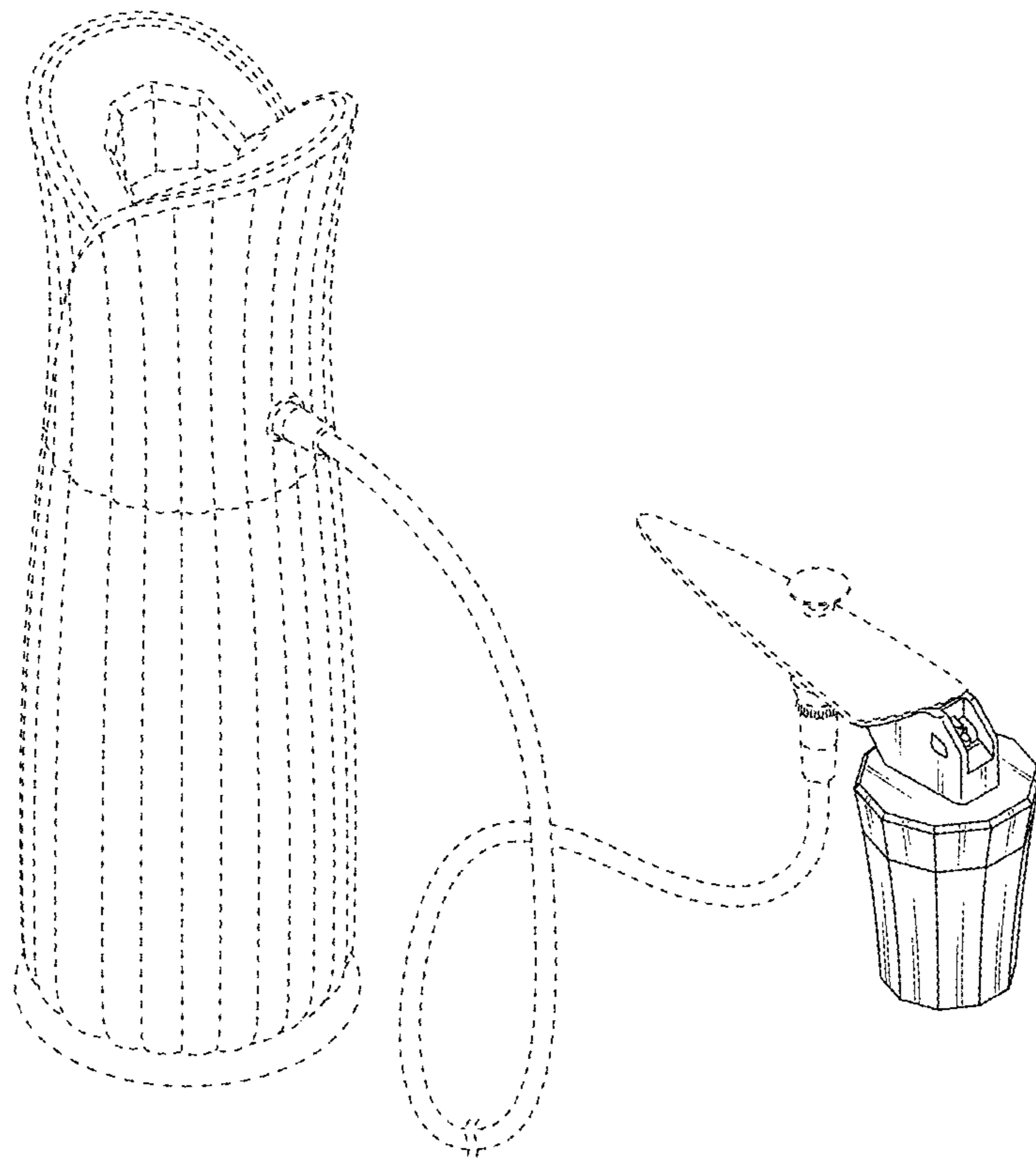


FIG. 8