



US00D861905S

(12) **United States Design Patent**
Ho

(10) **Patent No.:** **US D861,905 S**
(45) **Date of Patent:** **** Oct. 1, 2019**

(54) **TRANSCUTANEOUS ELECTRICAL NERVE STIMULATION DEVICE OR TENS DEVICE**

(71) Applicant: **Hoi Ming Michael Ho**, Ontario (CA)

(72) Inventor: **Hoi Ming Michael Ho**, Ontario (CA)

(**) Term: **15 Years**

(21) Appl. No.: **29/648,475**

(22) Filed: **May 22, 2018**

(51) **LOC (12) Cl.** **28-03**

(52) **U.S. Cl.**
USPC **D24/200**

(58) **Field of Classification Search**
USPC D24/200, 214–215; 607/46, 48, 58, 63, 607/72
CPC A61N 1/36014; A61N 1/36003; A61N 1/36021; A61N 1/36071; A61N 1/36; A61N 1/0456

See application file for complete search history.

(56) **References Cited**

U.S. PATENT DOCUMENTS

D287,635 S *	1/1987	Walus	D24/200
4,759,368 A *	7/1988	Spanton	A61N 1/36021 607/46
4,917,092 A *	4/1990	Todd	A61N 1/36021 607/46
D323,561 S *	1/1992	Bartelt	D24/200
D411,887 S *	7/1999	Agarwala	D24/200
D428,994 S *	8/2000	Thauer	D24/200
D442,694 S *	5/2001	Cheng	D24/200
D450,388 S *	11/2001	Nakanishi	D14/218
D750,793 S *	3/2016	Liu	D24/200

OTHER PUBLICATIONS

Portable Digital TENS (Transcutaneous Electrical Nerve Stimulation) Muscle Stimulator relieving Pain body Massager CE approved. Retrieved on May 23, 2019. Retrieved from the Internet: <https://www.aliexpress.com/item/Free-Shippng-Family-Massagist-multi-function-massager-body-massager-TENS/996850341.html>.*

* cited by examiner

Primary Examiner — Wan Laymon

(74) *Attorney, Agent, or Firm* — Bacon & Thomas, PLLC

(57) **CLAIM**

The ornamental design for a transcutaneous electrical nerve stimulation device or tens device, as shown and described.

DESCRIPTION

FIG. 1 is a perspective view of a transcutaneous electrical nerve stimulation device or TENS device showing my new design;

FIG. 2 is a front elevational view thereof;

FIG. 3 is a rear elevational view thereof;

FIG. 4 is a left side elevational view thereof;

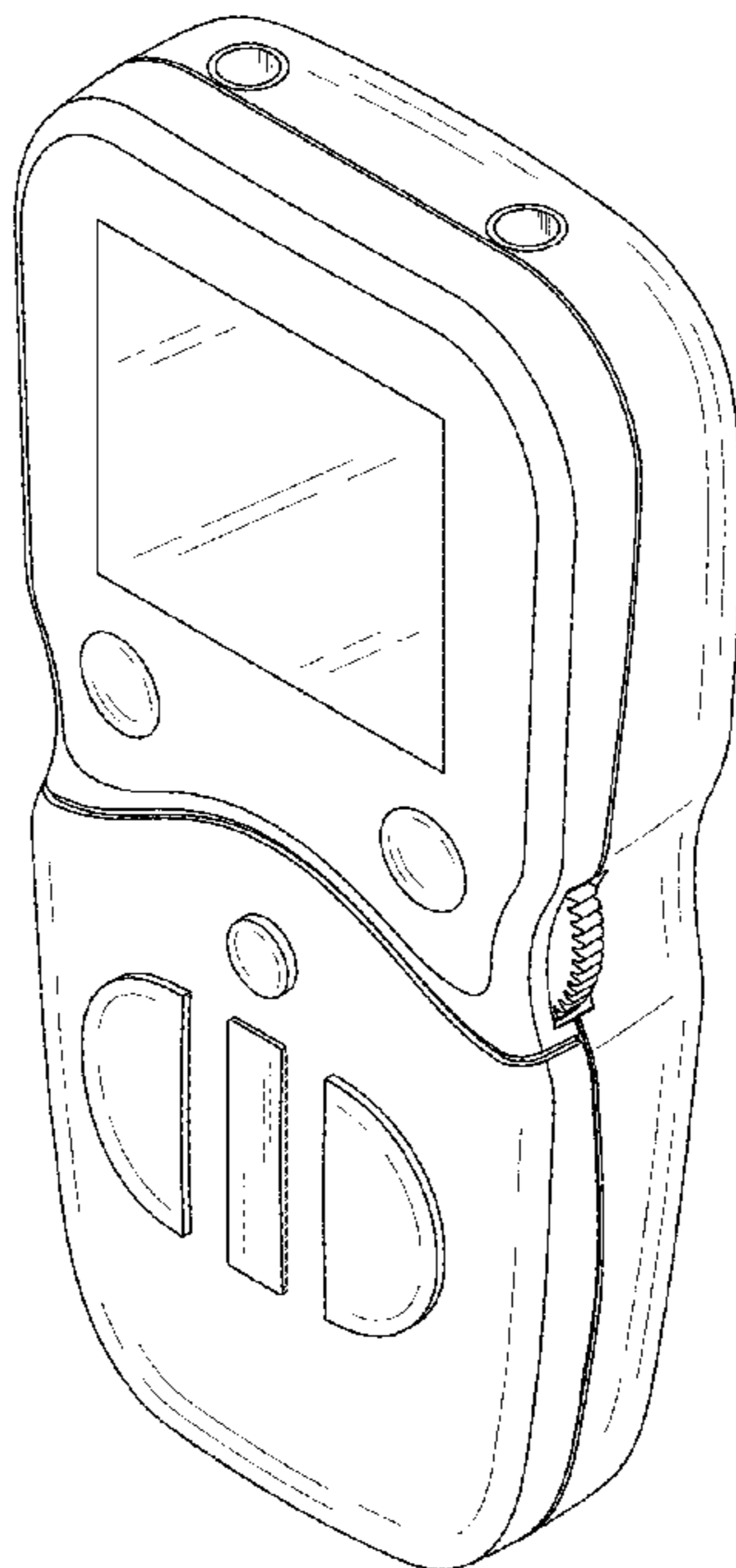
FIG. 5 is a right side elevational view thereof;

FIG. 6 is a top plan view thereof; and,

FIG. 7 is a bottom plan view thereof.

The broken lines showing in the drawings are included for the purpose of illustrating portions of the transcutaneous electrical nerve stimulation device or TENS device and form no part of the claimed design.

1 Claim, 6 Drawing Sheets



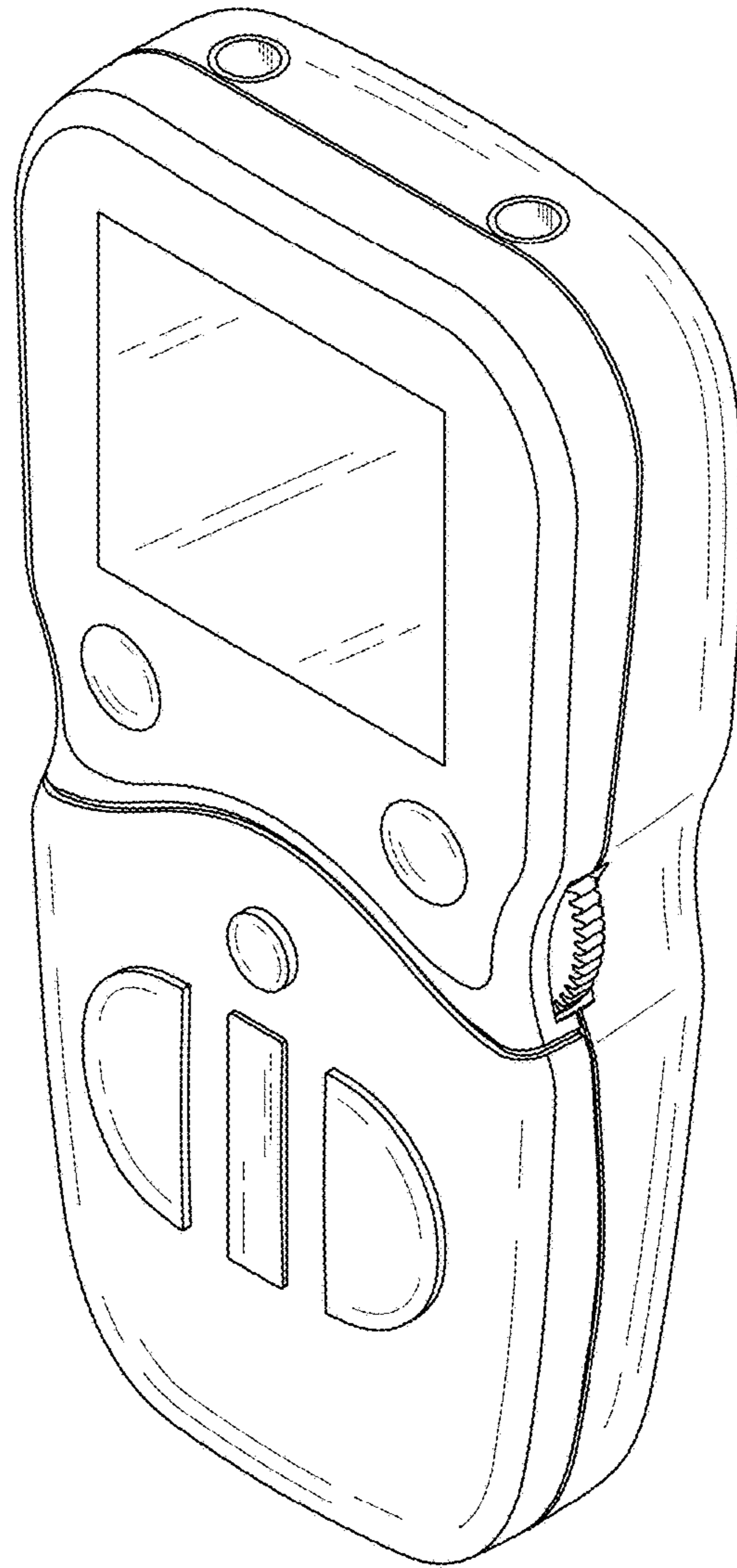


FIG. 1

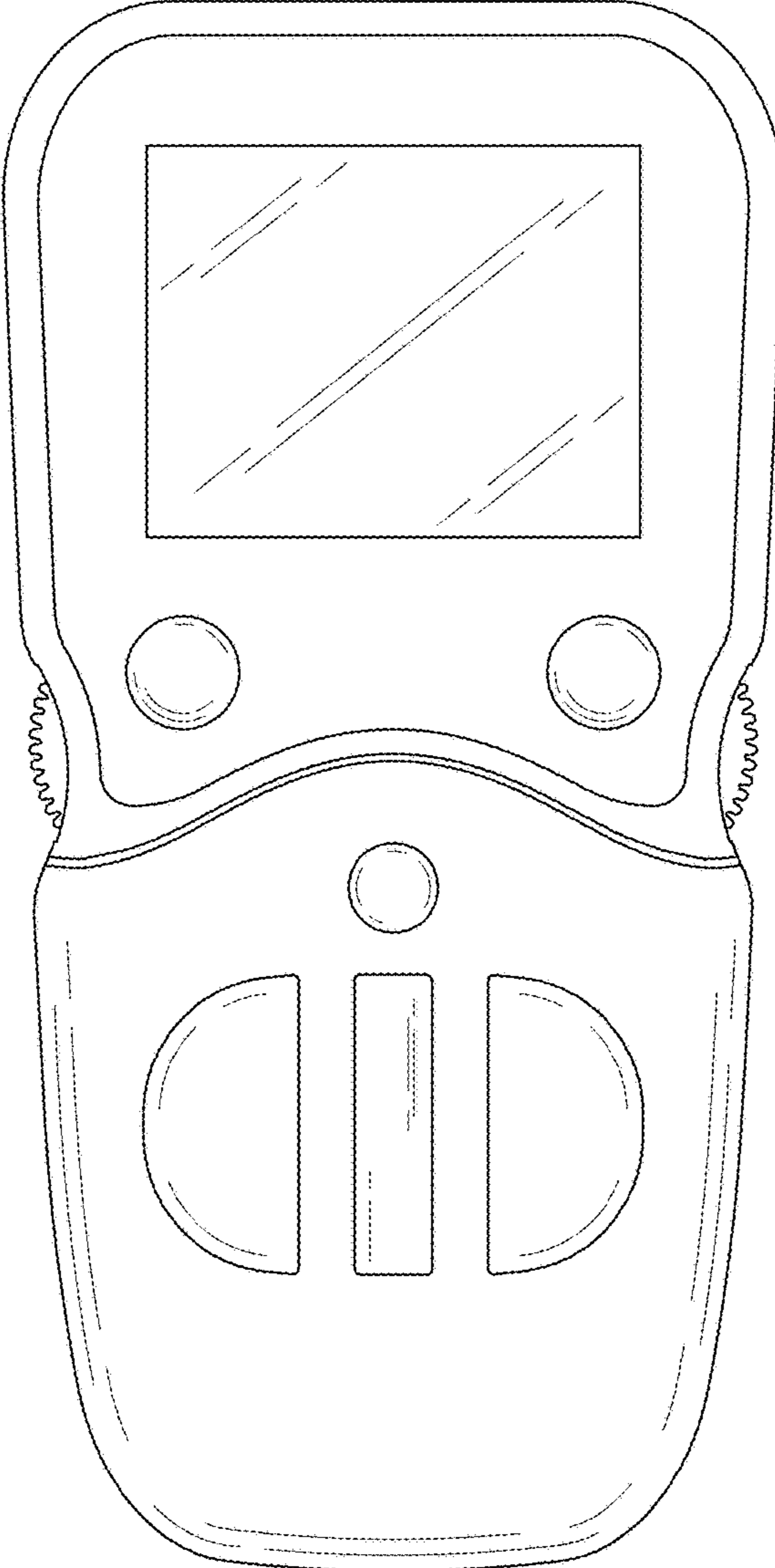


FIG. 2

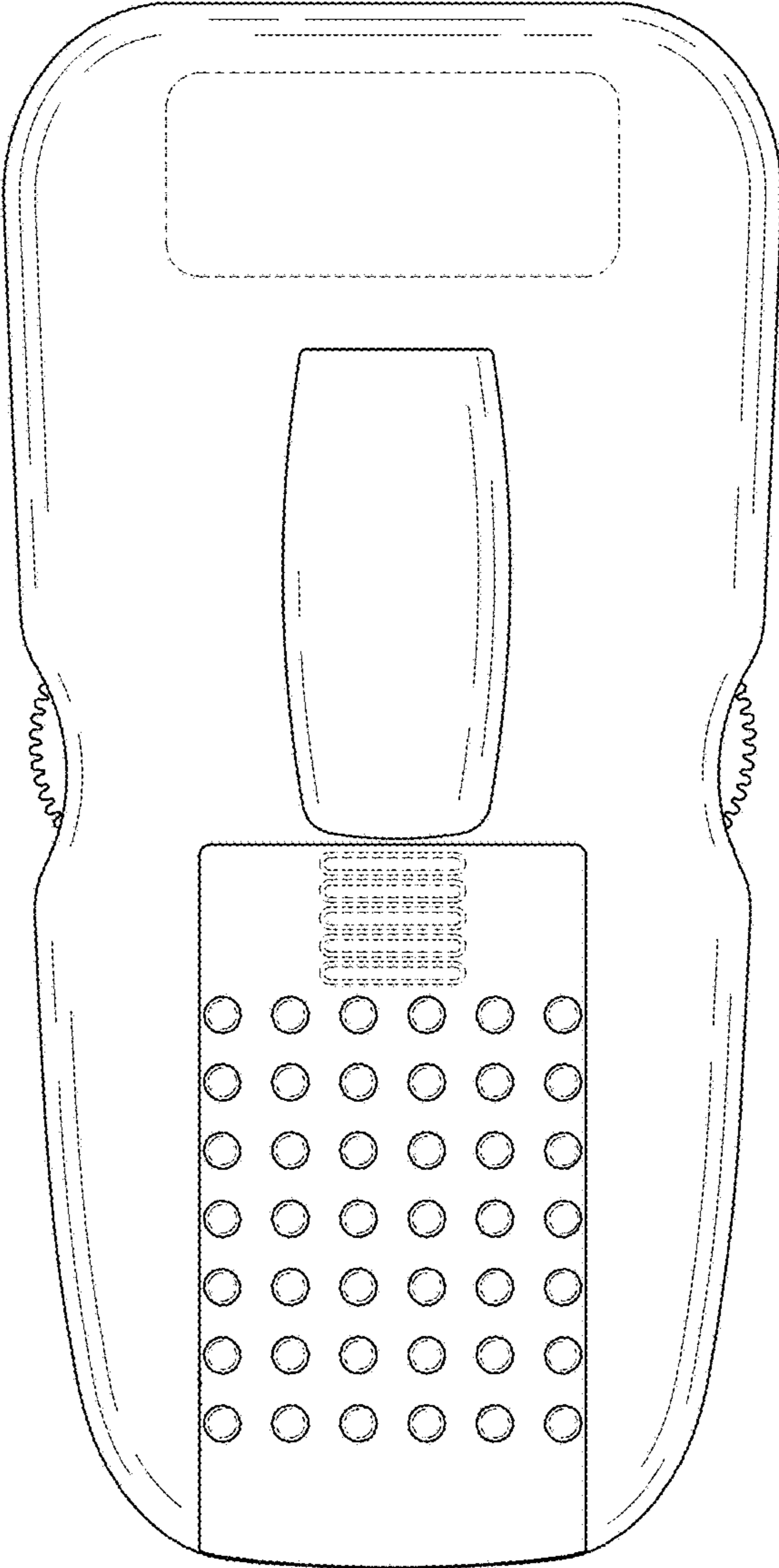


FIG. 3

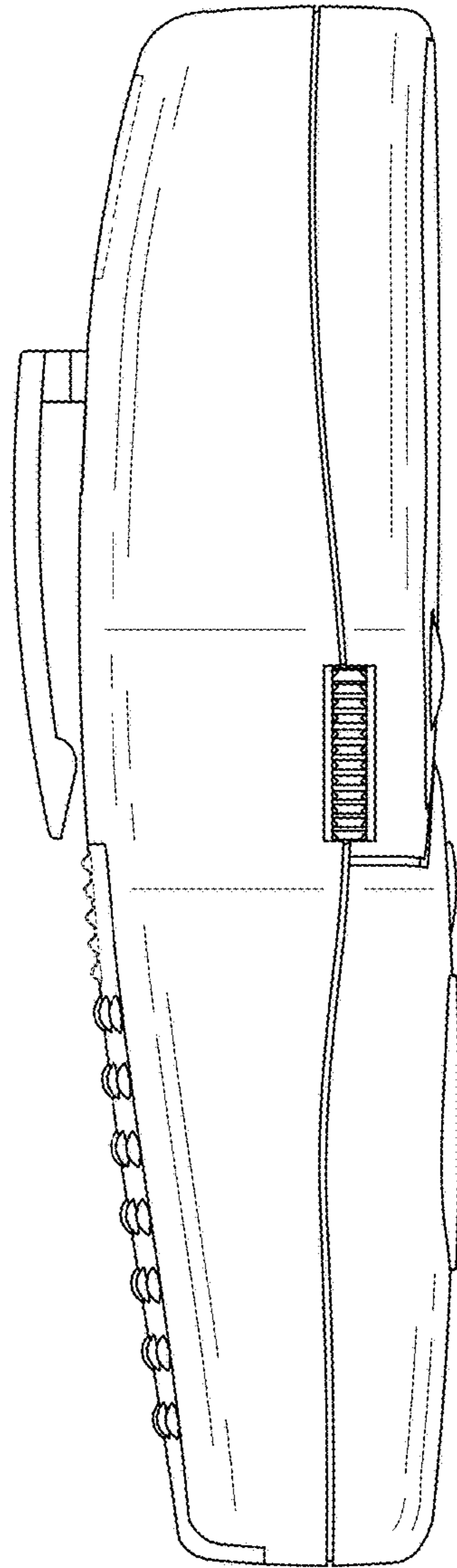


FIG. 4

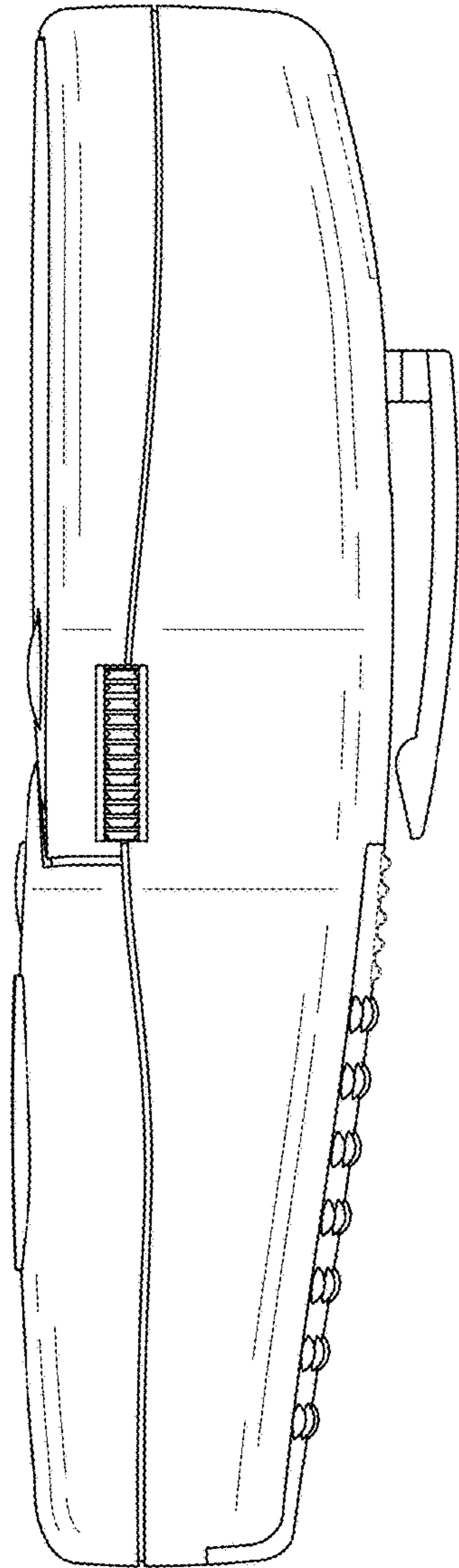


FIG. 5

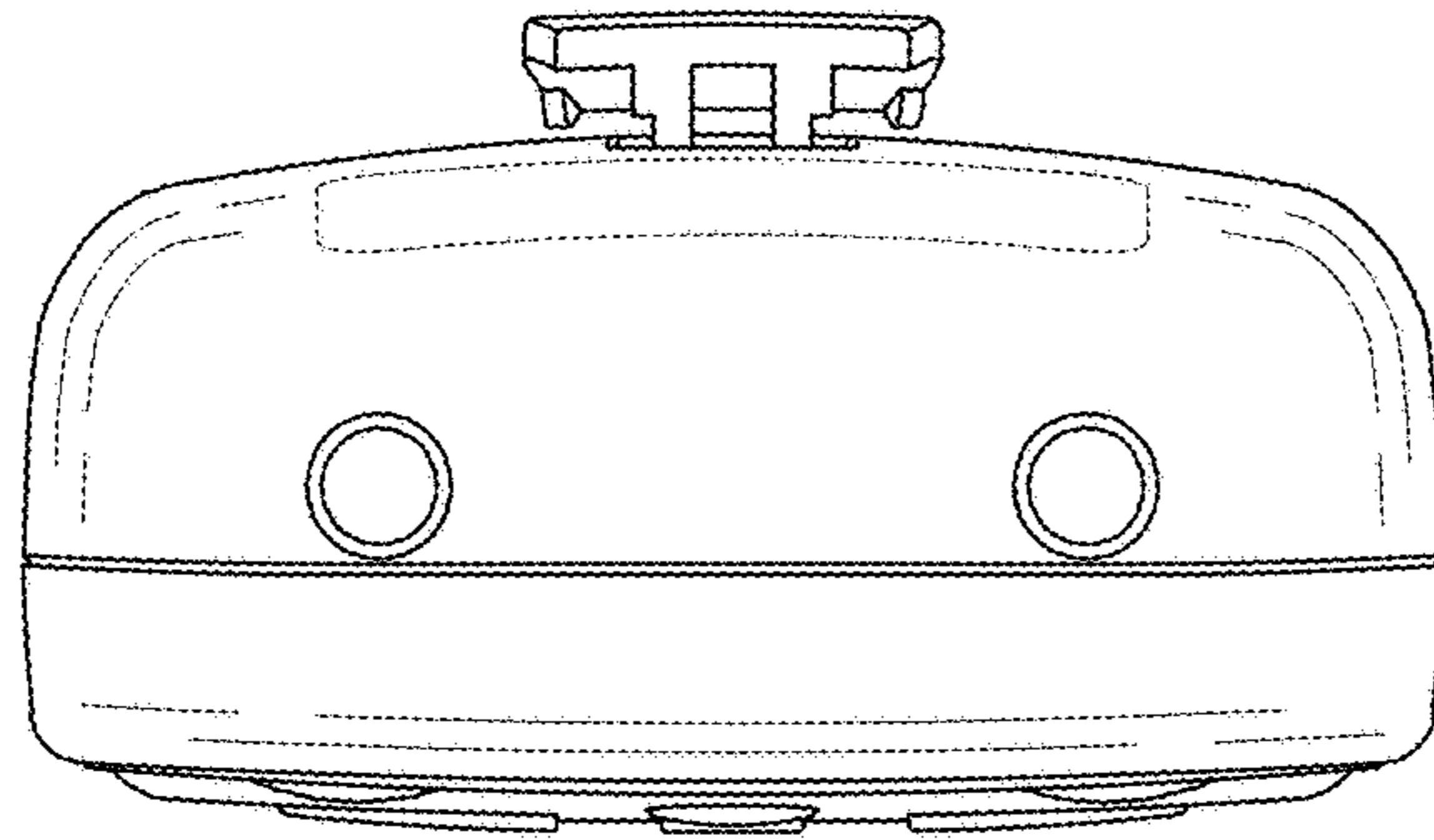


FIG. 6

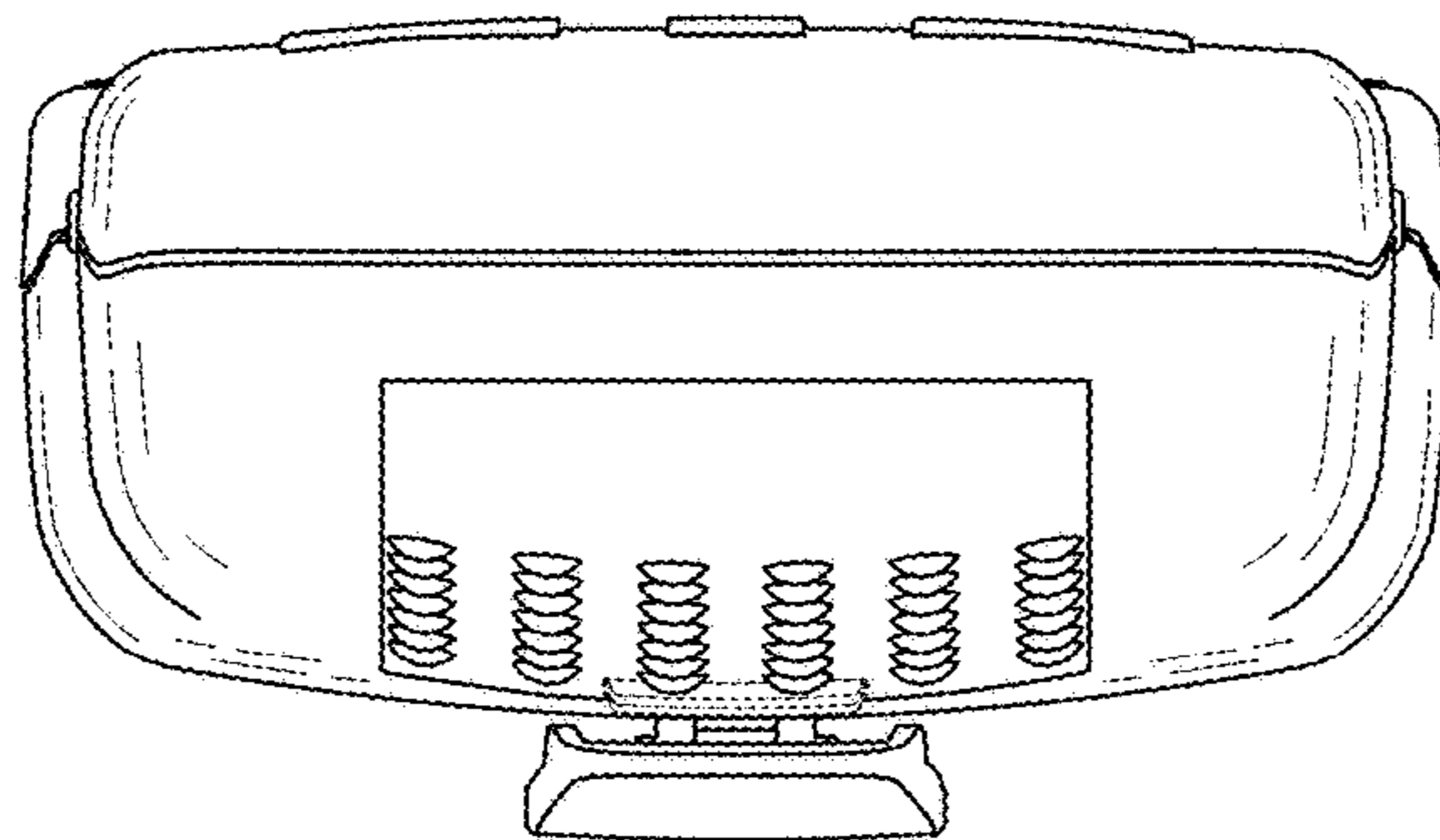


FIG. 7