

US00D861904S

(12) **United States Design Patent**
Ho

(10) **Patent No.:** **US D861,904 S**

(45) **Date of Patent:** **** Oct. 1, 2019**

(54) **TRANSCUTANEOUS ELECTRICAL NERVE STIMULATION DEVICE OR TENS DEVICE**

(71) Applicant: **Hoi Ming Michael Ho**, Ontario (CA)

(72) Inventor: **Hoi Ming Michael Ho**, Ontario (CA)

(**) Term: **15 Years**

(21) Appl. No.: **29/648,473**

(22) Filed: **May 22, 2018**

(51) **LOC (12) Cl.** **28-03**

(52) **U.S. Cl.**
USPC **D24/200**

(58) **Field of Classification Search**
USPC D24/200, 214–215
See application file for complete search history.

(56) **References Cited**

U.S. PATENT DOCUMENTS

- 4,989,605 A * 2/1991 Rossen A61N 1/36021
128/907
- 5,048,523 A * 9/1991 Yamasawa A61N 1/36021
607/66
- D363,553 S * 10/1995 Lee D24/200
- D482,124 S * 11/2003 Wade D24/200

- D813,405 S * 3/2018 Ho D24/200
- 2005/0283206 A1 * 12/2005 Hunt A61N 1/0452
607/48
- 2006/0089683 A1 * 4/2006 Hagglof A61N 1/36021
607/48

* cited by examiner

Primary Examiner — Wan Laymon

(74) *Attorney, Agent, or Firm* — Bacon & Thomas, PLLC

(57) **CLAIM**

The ornamental design for a transcutaneous electrical nerve stimulation device or TENS device, as shown and described.

DESCRIPTION

FIG. 1 is a perspective view of a transcutaneous electrical nerve stimulation device or TENS device showing my new design;

FIG. 2 is a front elevational view thereof;

FIG. 3 is a rear elevational view thereof;

FIG. 4 is a left side elevational view thereof;

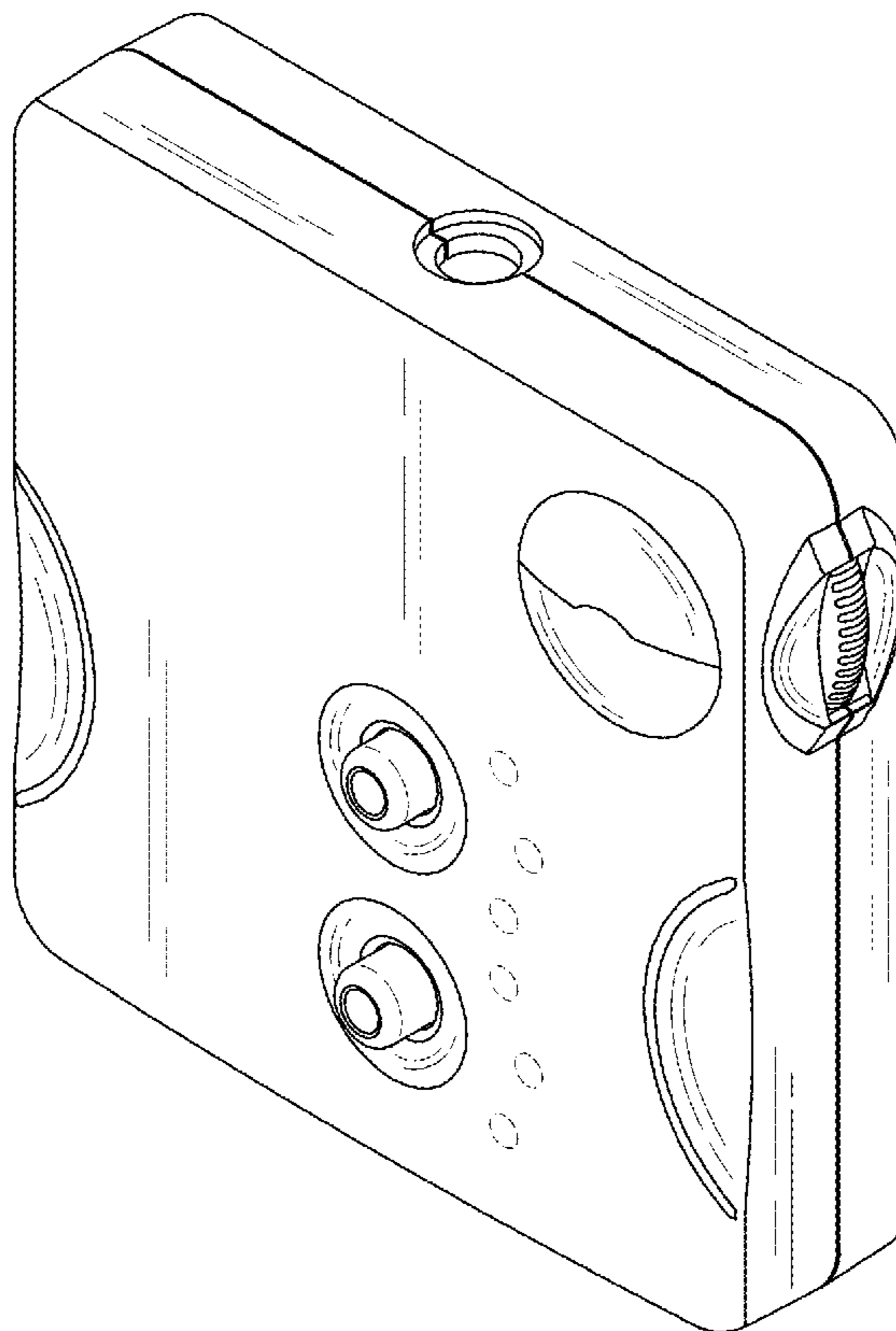
FIG. 5 is a right side elevational view thereof;

FIG. 6 is a top plan view thereof; and,

FIG. 7 is a bottom plan view thereof.

The broken lines showing in the drawings are included for the purpose of illustrating portions of the transcutaneous electrical nerve stimulation device or TENS device and form no part of the claimed design.

1 Claim, 6 Drawing Sheets



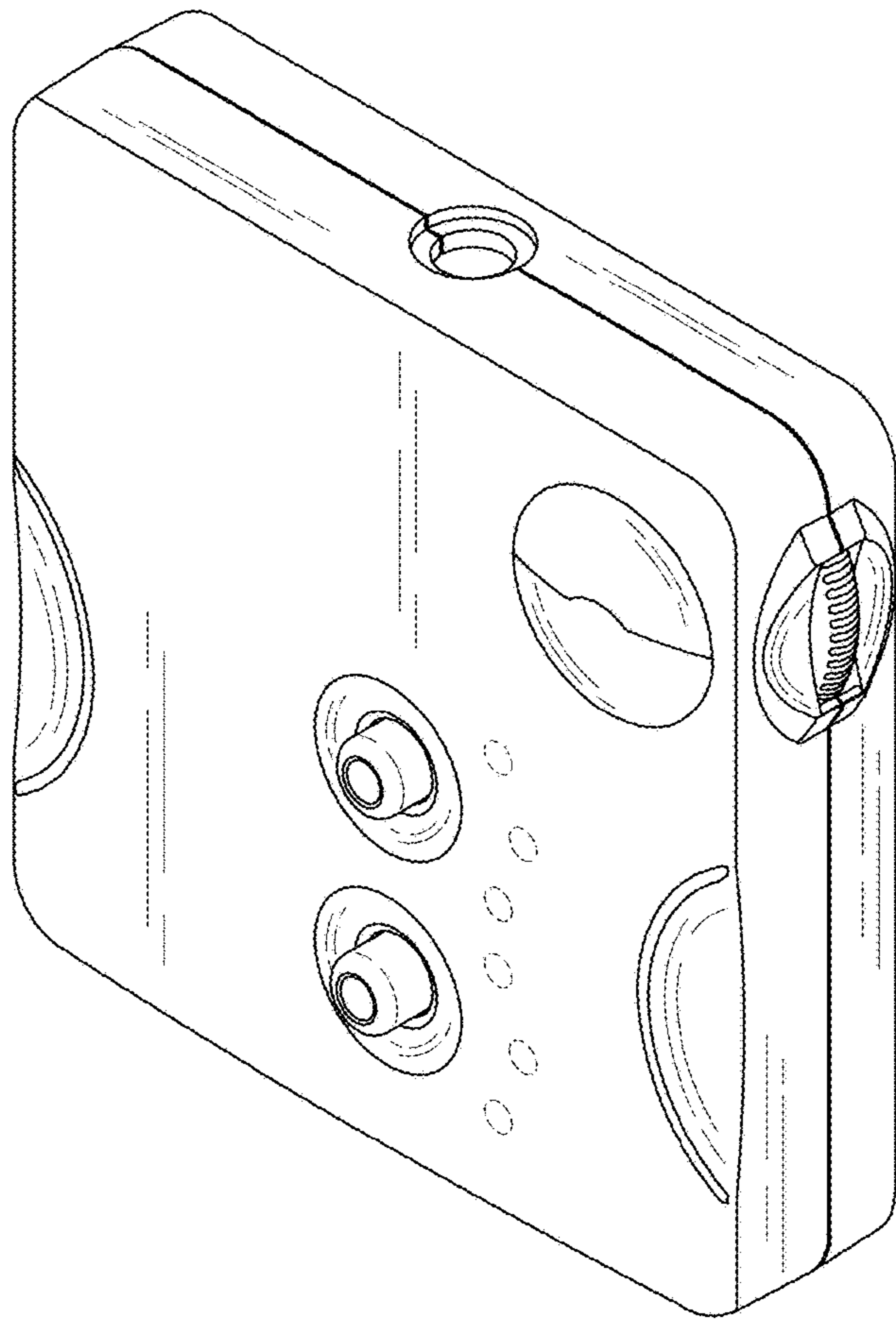


FIG. 1

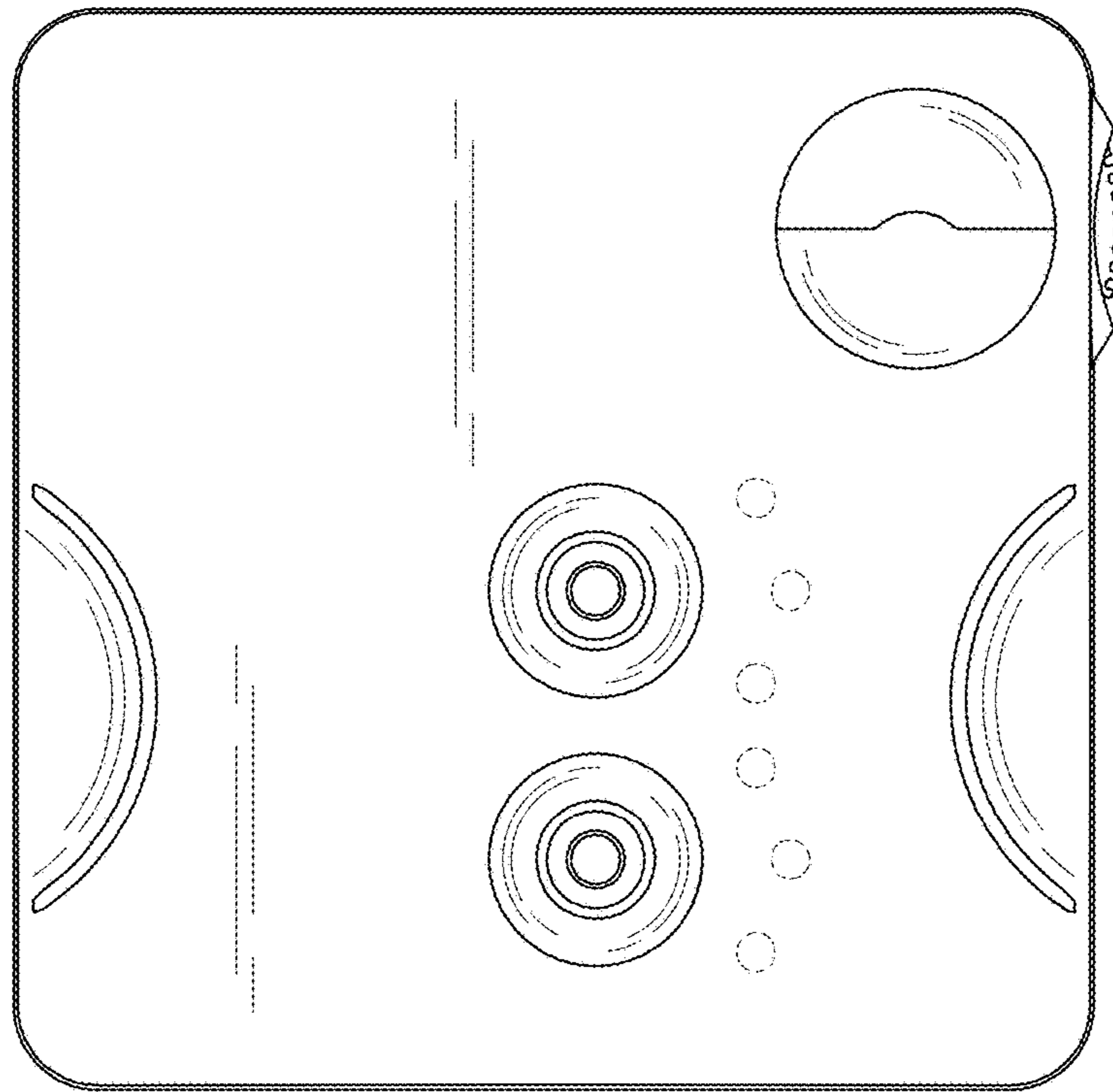


FIG. 2

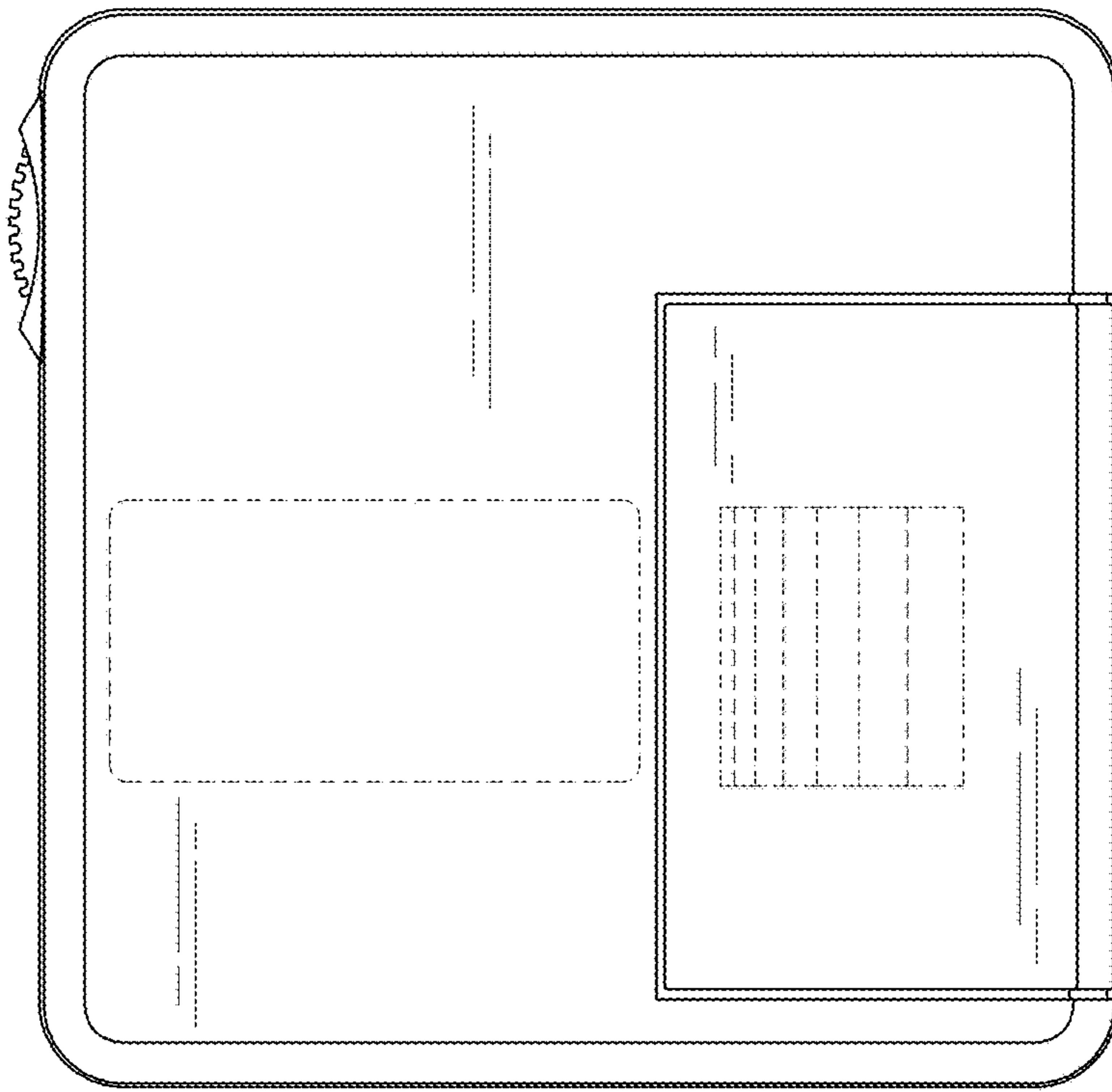


FIG. 3

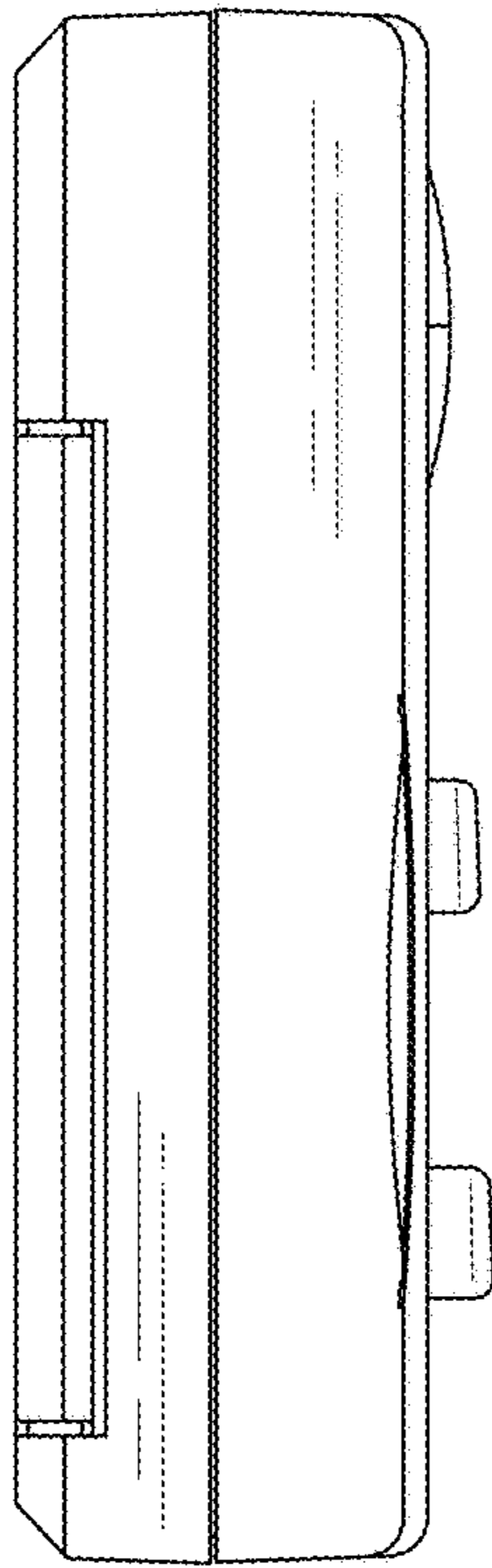


FIG. 4

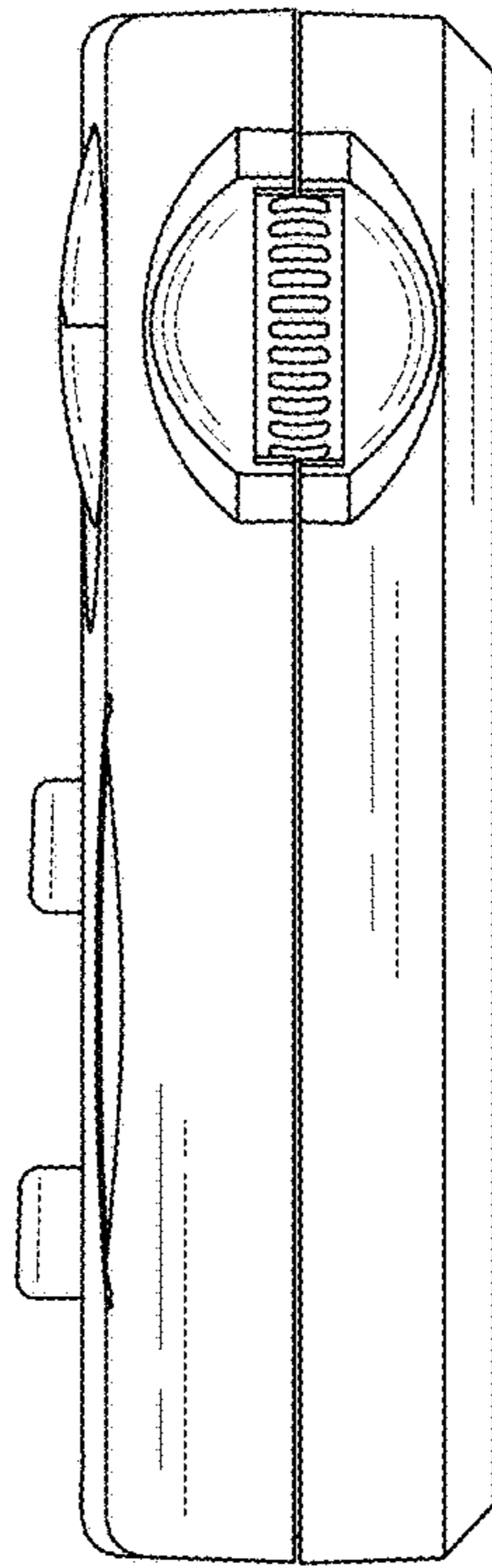


FIG. 5

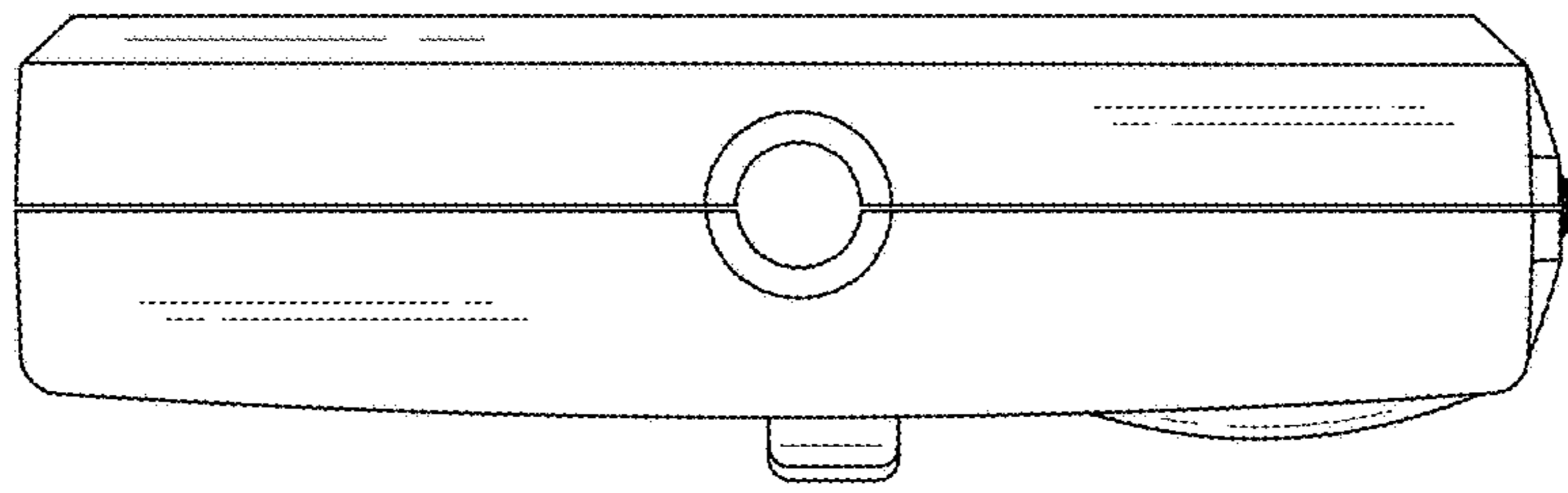


FIG. 6

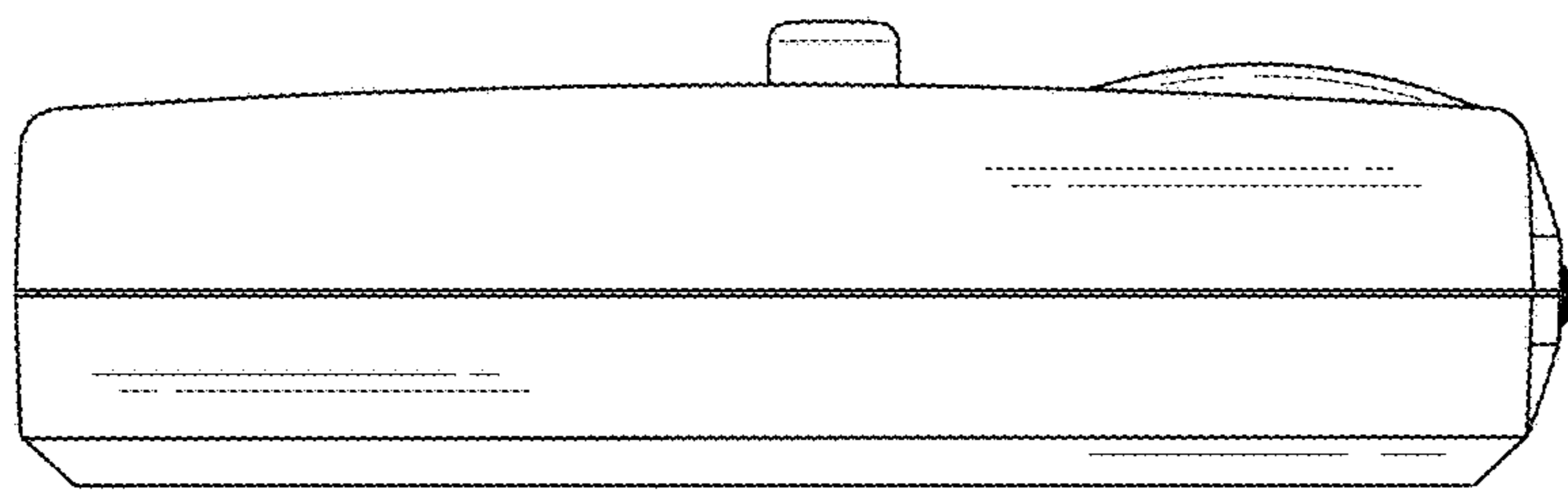


FIG. 7