



US00D861899S

(12) **United States Design Patent** (10) **Patent No.:** **US D861,899 S**
Blake (45) **Date of Patent:** **** Oct. 1, 2019**

(54) **MEDICAL DEVICE**

(71) Applicant: **Orthofix Inc.**, Lewisville, TX (US)

(72) Inventor: **Steve Blake**, Allen, TX (US)

(73) Assignee: **ORTHOFIX INC.**, Lewisville, TX (US)

(**) Term: **15 Years**

(21) Appl. No.: **29/639,258**

(22) Filed: **Mar. 5, 2018**

(51) **LOC (12) Cl.** **28-03**

(52) **U.S. Cl.**
USPC **D24/200**

(58) **Field of Classification Search**
USPC D24/200, 214–215, 190, 171, 107;
600/9–10, 13–15
CPC A61F 5/01; A61F 5/0109; A61F 5/0111;
A61N 2/004; A61N 2/006; A61N 2/02;
A61N 2/12; A61N 1/326; A61N 1/36;
A61N 1/36003; A61N 1/40
See application file for complete search history.

(56) **References Cited**

U.S. PATENT DOCUMENTS

| | | | | | |
|-----------|-----|---------|---------|-------|-----------|
| 4,266,532 | A * | 5/1981 | Ryaby | | A61N 2/02 |
| | | | | | 600/14 |
| 4,548,208 | A * | 10/1985 | Niemi | | A61N 2/02 |
| | | | | | 600/14 |
| 5,067,940 | A * | 11/1991 | Liboff | | A61N 2/02 |
| | | | | | 600/13 |
| D326,913 | S * | 6/1992 | Staples | | D24/200 |
| 5,318,561 | A * | 6/1994 | McLeod | | A61N 2/02 |
| | | | | | 600/14 |
| 5,743,844 | A * | 4/1998 | Tepper | | A61N 2/02 |
| | | | | | 600/13 |

(Continued)

OTHER PUBLICATIONS

Orthofix Holdings, Inc. "A Patient's Guide to Spine Fusion Stimulation," dated Jun. 2014, //pdf.medicalexpo.com/pdf/orthofix/cervical-stim-patient-q/74966-148857.html, 4 pgs.

(Continued)

Primary Examiner — Wan Laymon

(74) *Attorney, Agent, or Firm* — Haynes and Boone, LLP

(57) **CLAIM**

The ornamental design for a medical device, as shown and described.

DESCRIPTION

This application is related to U.S. application Ser. Nos. 29/639,249, 29/639,241, 29/639,287, 29/639,289 and 29/639,259, all filed Mar. 5, 2018, the entire disclosures of which are hereby incorporated herein by reference.

FIG. 1 is a front perspective view of a medical device showing my new design;

FIG. 2 is a front elevational view thereof;

FIG. 3 is a rear elevational view thereof;

FIG. 4 is a right side elevational view thereof;

FIG. 5 is a left side elevational view thereof;

FIG. 6 is a top plan view thereof;

FIG. 7 is a bottom plan view thereof;

FIG. 8 is a rear perspective view thereof; and,

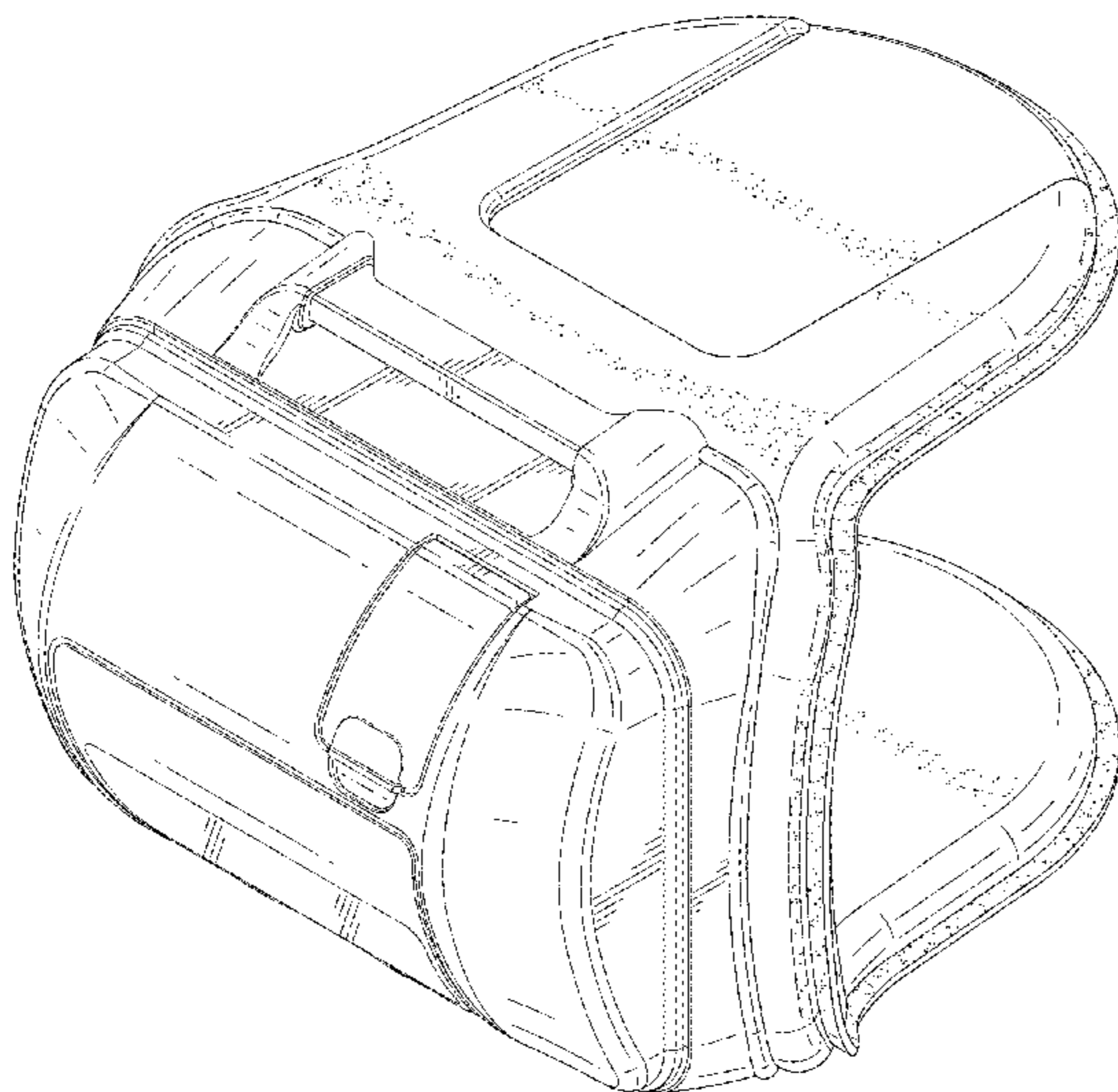
FIG. 9 is another front perspective view thereof, the front perspective view of FIG. 9 being similar to the front perspective view of FIG. 1 but for the depiction in broken lines of unclaimed environmental structure in FIG. 9.

The broken lines in FIGS. 2-5, 7, and 8 depict portions of the medical device that form no part of the claimed design.

The broken lines in FIG. 9 depict environmental structure that forms no part of the claimed design.

The different surface shadings (line shading and stippled shading) in FIGS. 1, 8, and 9 are used to indicate contrasting materials.

1 Claim, 9 Drawing Sheets



(56)

References Cited

U.S. PATENT DOCUMENTS

5,792,040 A * 8/1998 Koeneman A61N 2/02
600/13
6,024,691 A * 2/2000 Tepper A61N 2/02
600/13
6,364,824 B1 4/2002 Fitzsimmons
6,592,509 B1 * 7/2003 Hunter, Jr. A61N 2/02
600/9
7,465,269 B2 * 12/2008 Culhane A61N 2/004
600/13
D742,020 S * 10/2015 Russold D24/200
D834,719 S * 11/2018 Theriot D24/200
2013/0245358 A1 * 9/2013 Johnson A61N 2/02
600/13

OTHER PUBLICATIONS

Orthofix Holdings, Inc. "A Patient's Guide to Insurance Coverage for Bone Growth Therapy," , Sep. 16, 2016, 5 pages.
Abrexis Medical, "The Healing Advantage Cervical-Stim," Aug. 8, 2013, retrieved from Twitter Apr. 4, 2018 <https://pbs.twimg.com/media/BRLVrARCYAAOY2T.jpg:large>, 2 pages.
Abrexis Medical, "The Healing Advantage Spinal-Stim," Aug. 8, 2013, retrieved from Twitter Apr. 4, 2018 <https://pbs.twimg.com/media/BRLVjnGCQAAyU9A.jpg:large>, 2 pages.

* cited by examiner

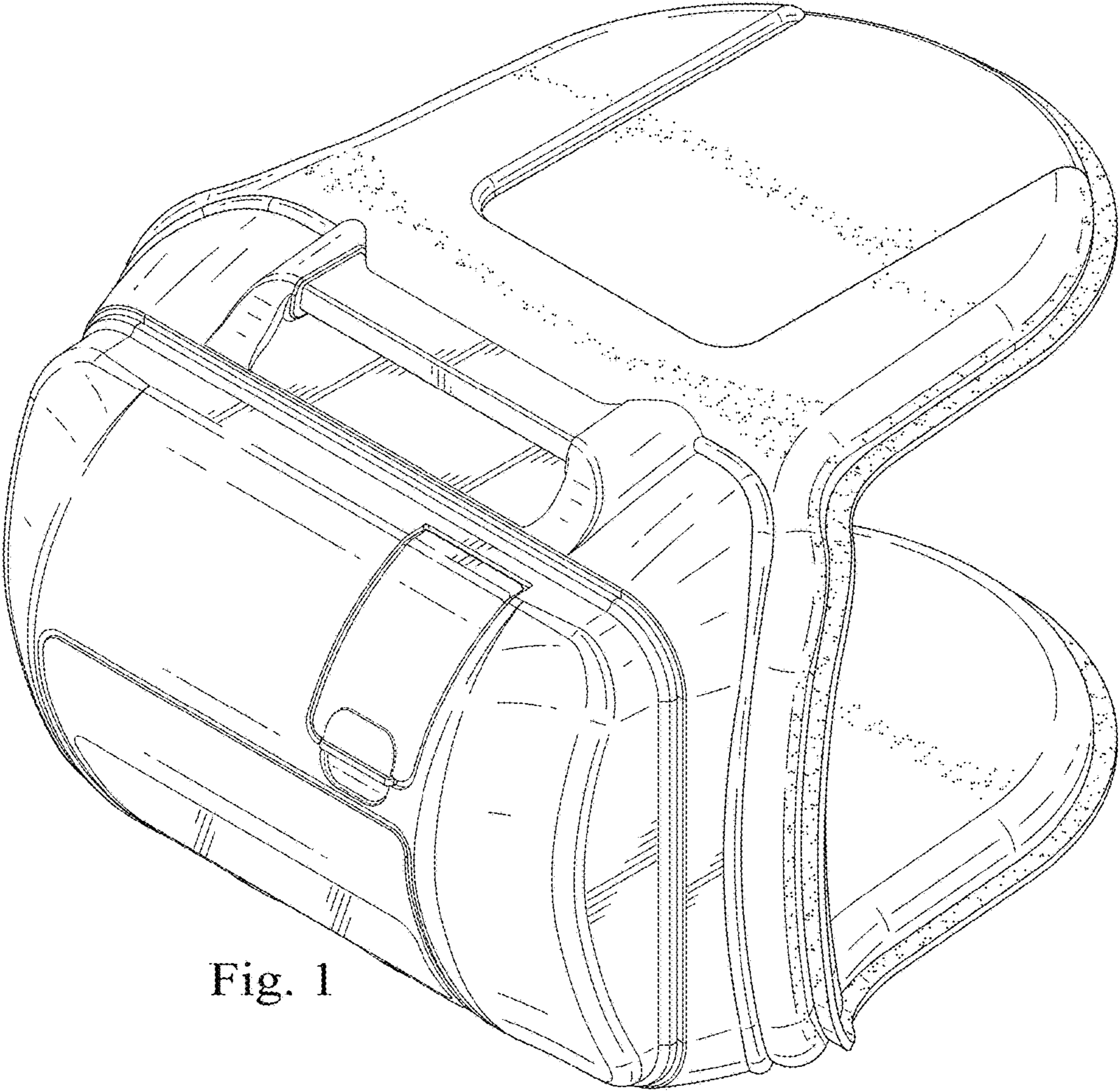


Fig. 1

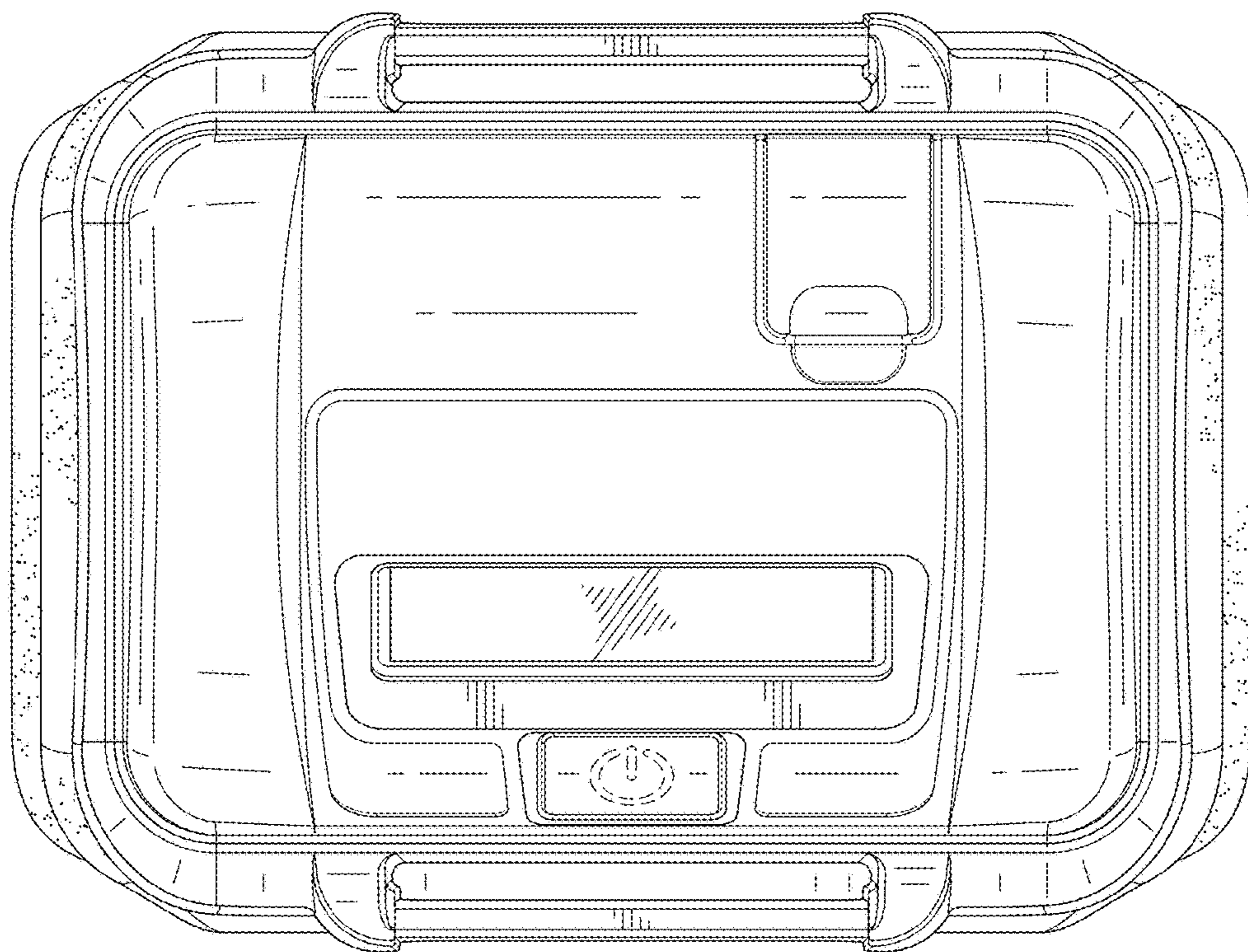


Fig. 2

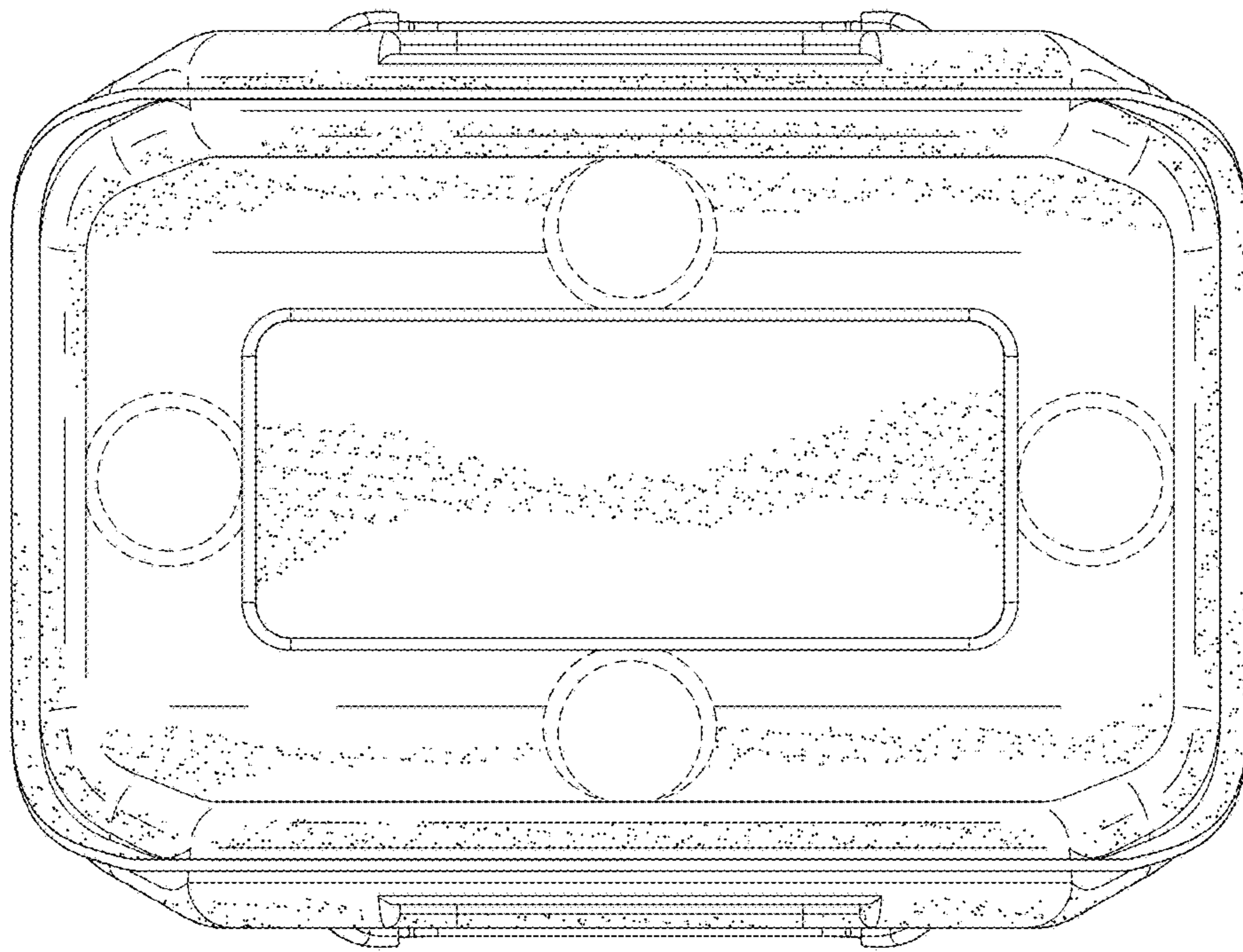


Fig. 3

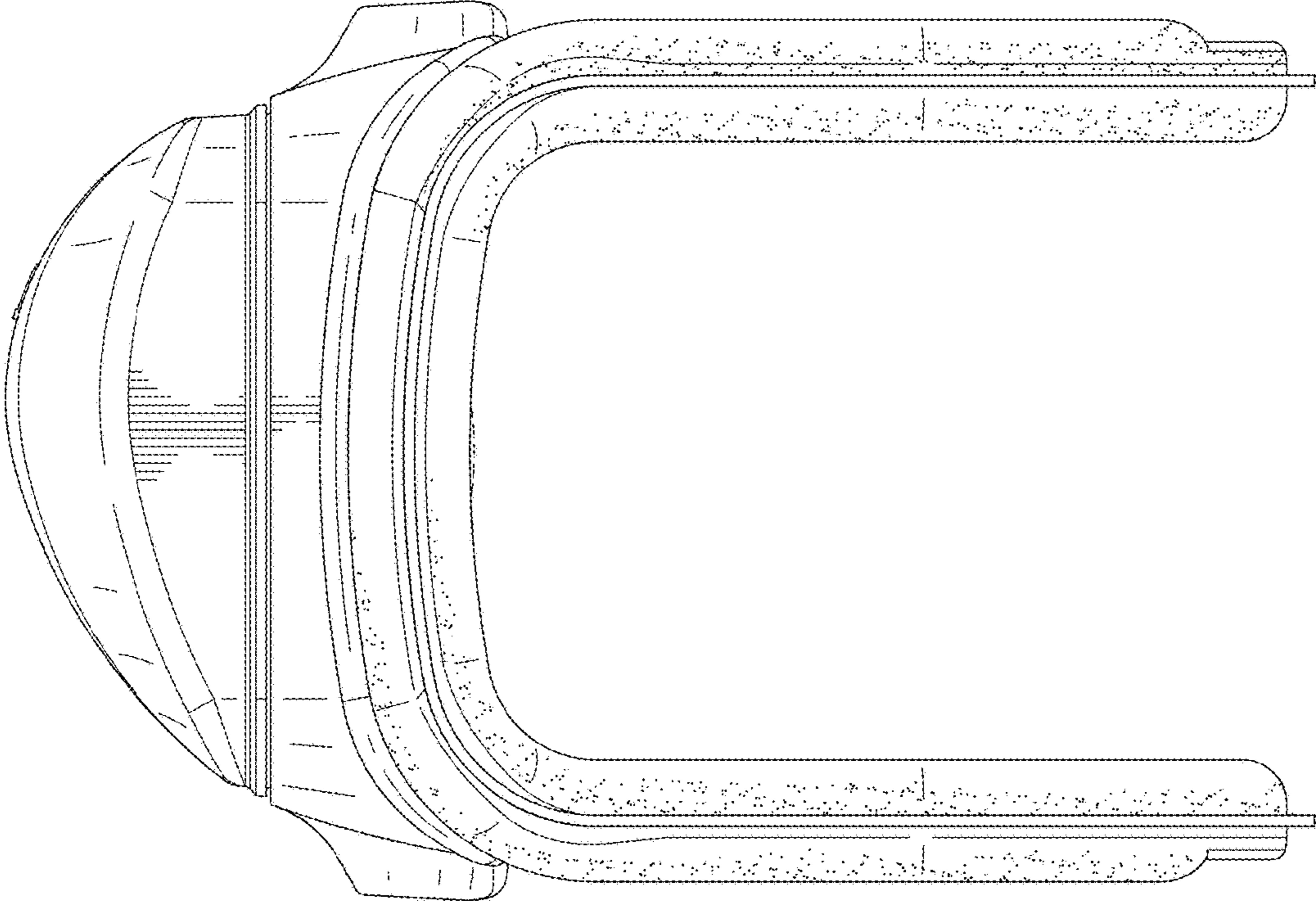


Fig. 4

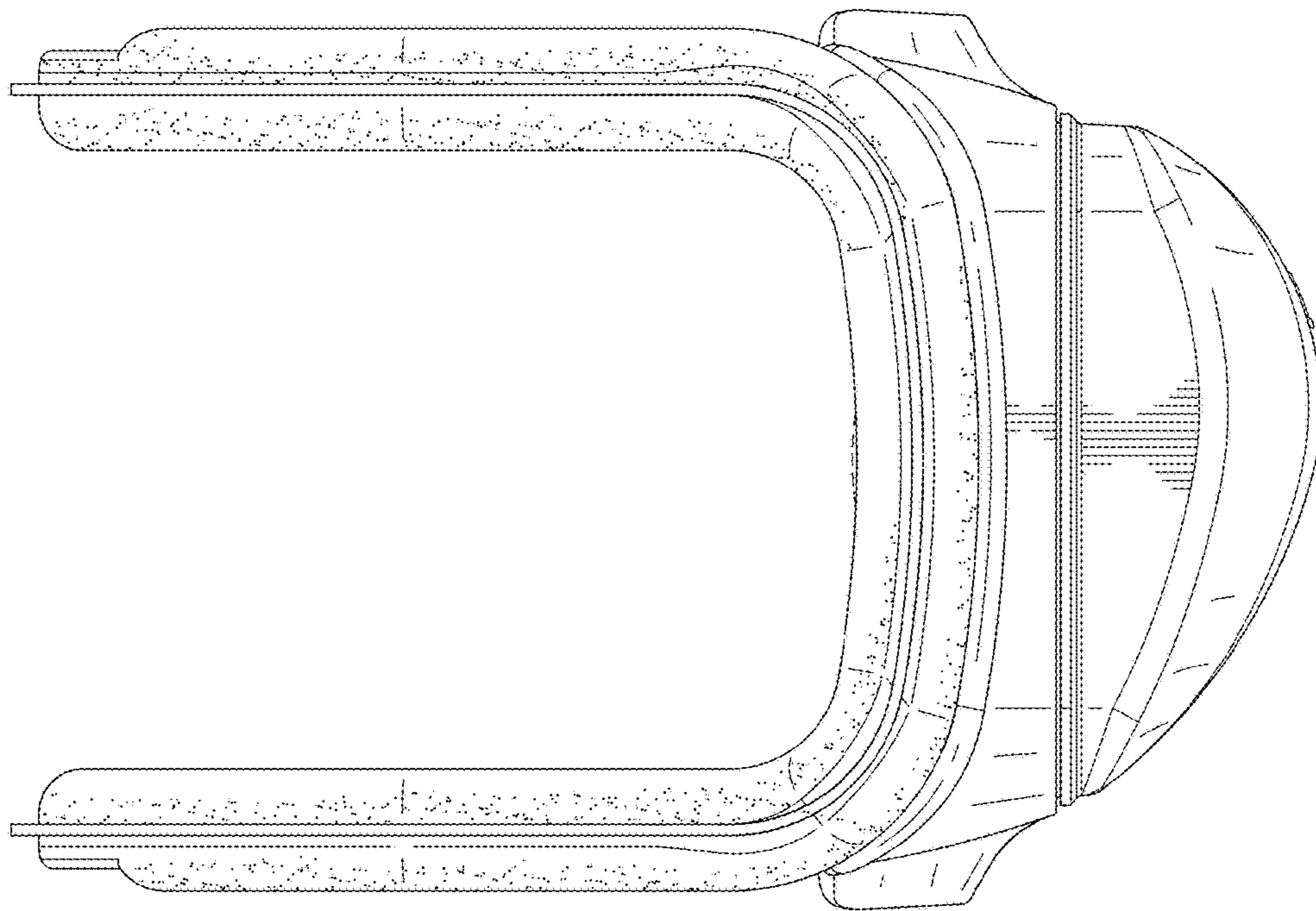


Fig. 5

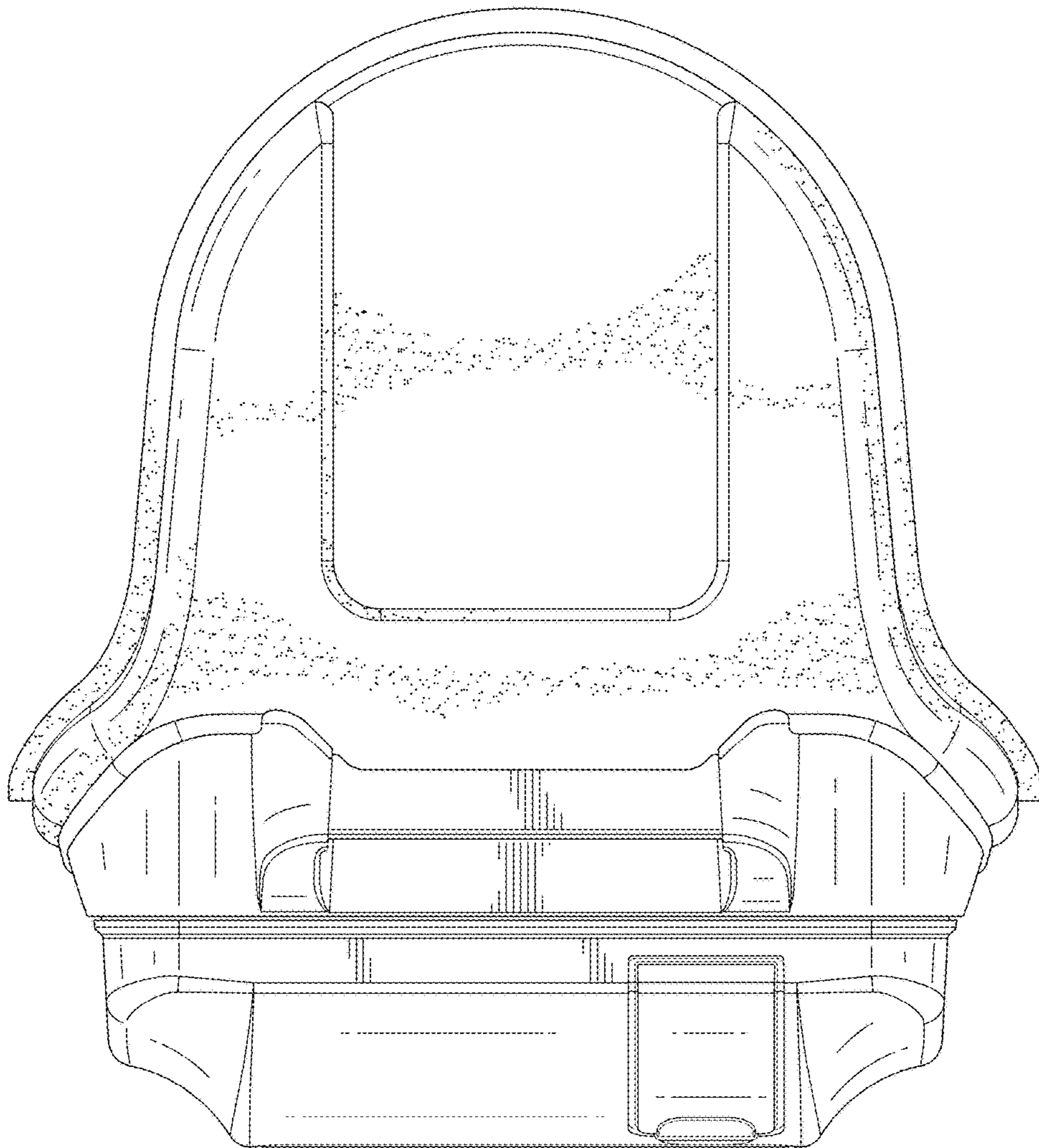


Fig. 6

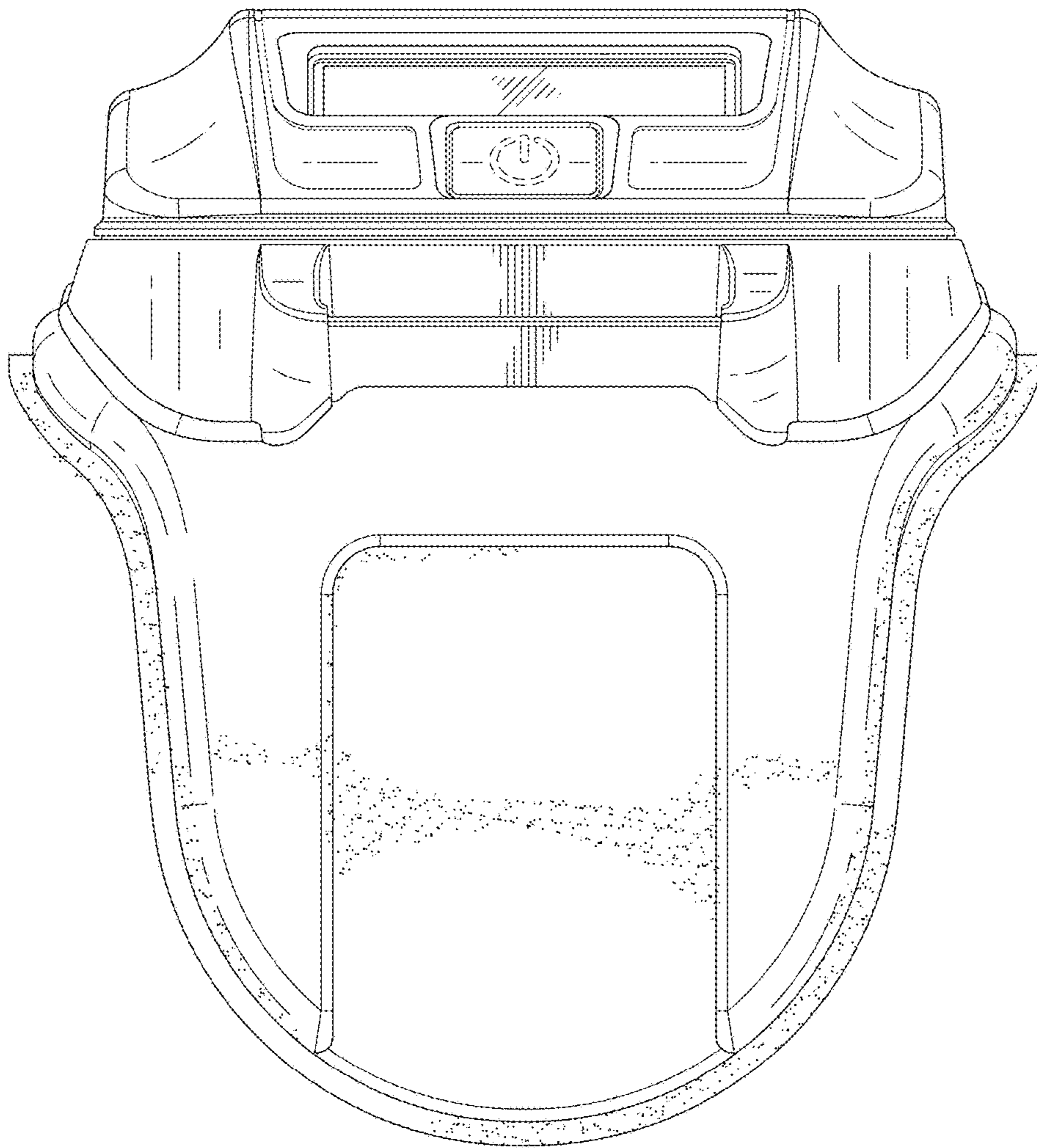


Fig. 7

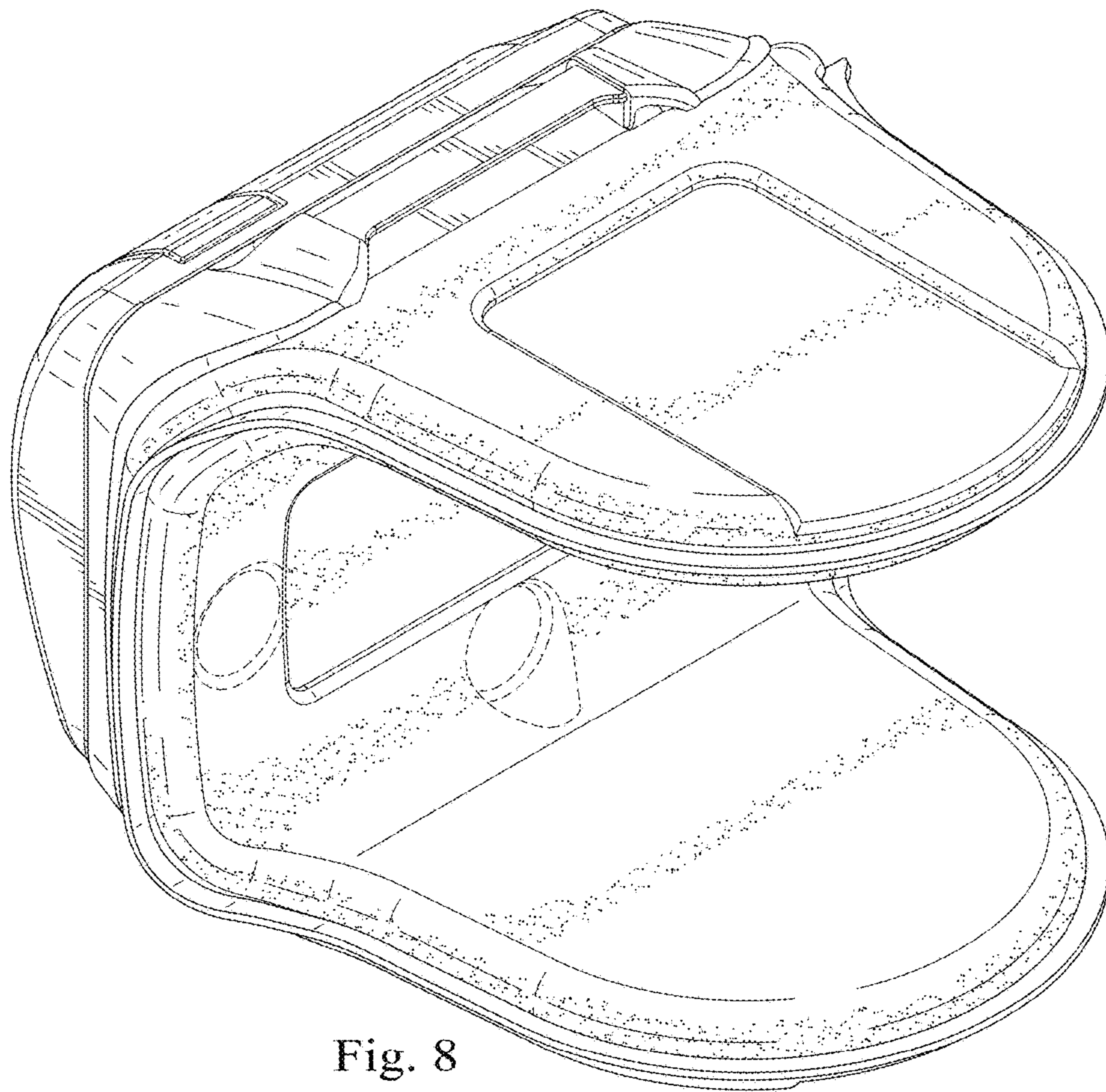


Fig. 8

