



US00D861897S

(12) **United States Design Patent**
Bergström

(10) **Patent No.:** **US D861,897 S**

(45) **Date of Patent:** **** Oct. 1, 2019**

- (54) **LID FOR A BABY BOTTLE**
- (71) Applicant: **Herobility AB**, Västerås (SE)
- (72) Inventor: **Mikael Bergström**, Västerås (SE)
- (73) Assignee: **Herobility AB**, Västerås (SE)

- 2012/0305514 A1* 12/2012 Harris A61J 9/00
215/11.1
- 2014/0263148 A1* 9/2014 Diaz A61J 9/005
215/11.3
- 2015/0366759 A1* 12/2015 Perera A61J 9/008
215/11.1
- 2016/0058672 A1* 3/2016 Bailey A61J 9/00
215/11.1

(**) Term: **15 Years**

(21) Appl. No.: **29/586,791**

(22) Filed: **Dec. 7, 2016**

(30) **Foreign Application Priority Data**

Jun. 7, 2016 (EM) 003176973

(51) **LOC (12) Cl.** **07-01**

(52) **U.S. Cl.**
USPC **D24/197**

(58) **Field of Classification Search**
USPC D24/193, 194, 195, 196, 197, 198, 199,
D24/207; D7/392, 510, 511, 517, 539,
D7/619.2; D9/516, 530, 719, 761
CPC A61J 9/00; A61J 9/008; A61J 11/00
See application file for complete search history.

(56) **References Cited**

U.S. PATENT DOCUMENTS

- D365,638 S * 12/1995 Young D24/197
- D368,138 S * 3/1996 Hamilton D24/197
- 6,138,848 A * 10/2000 Fermo A61J 9/00
215/11.1
- D580,066 S * 11/2008 Tilbury D24/197
- 8,146,758 B1 * 4/2012 Peres B65D 81/3205
206/219
- D675,481 S * 2/2013 Enghard D7/510
- D683,037 S * 5/2013 Questad D24/197
- 2002/0139767 A1 * 10/2002 Budd A47G 19/2272
215/387
- 2011/0284491 A1 * 11/2011 Bryan A61J 9/04
215/11.4

OTHER PUBLICATIONS

“Expectrum: Herobility HeroBottle”. Found online Jun. 16, 2018 at mynewsdesk.com. Page dated Jun. 23, 2016. Retrieved from <http://www.mynewsdesk.com/se/expectrum/images/nu-lanserar-foeretaget-herobility-nappflaskan-herobottle-582523>.*

“The First Years 1 Pack Breastfow Bottle”. Found online Feb. 12, 2018 at amazon.com. Page dated Jun. 14, 2009. Rertrieved from https://www.amazon.com/First-Years-Breastflow-Bottle-Ounce/dp/B001QVG9YS/ref=cm_cr_arp_d_product_top?ie=UTF8&th=1.*

(Continued)

Primary Examiner — Kendra Leslie Hamilton

(74) *Attorney, Agent, or Firm* — Dilworth & Barrese, LLP

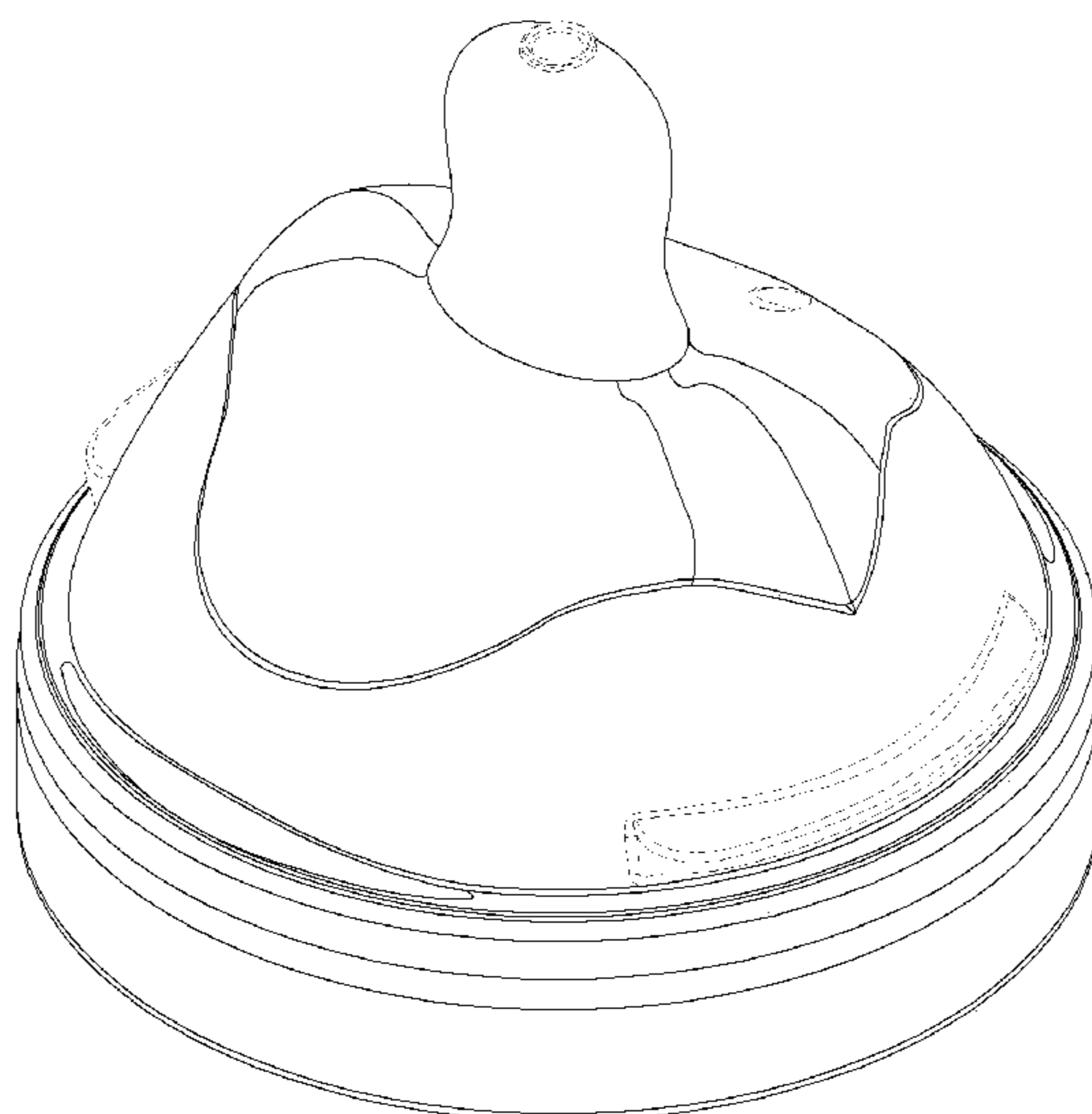
(57) **CLAIM**

The ornamental design for a lid for a baby bottle, as shown and described.

DESCRIPTION

FIG. 1 is a top front left perspective view of a lid for a baby bottle showing my new design;
FIG. 2 is a front elevational view thereof;
FIG. 3 is a rear elevational view thereof;
FIG. 4 is a left side elevational view thereof;
FIG. 5 is a right side elevational view thereof;
FIG. 6 is a top plan view thereof; and,
FIG. 7 is a bottom plan view thereof.
The broken lines in the drawings depict portions of the lid for a baby bottle that form no part of the claimed design.

1 Claim, 7 Drawing Sheets



(56)

References Cited

OTHER PUBLICATIONS

“B. Box Essential Baby Bottle”. Found online Jul. 7, 2016 at amazon.com. Page dated Jul. 12, 2012. Retrieved from https://www.amazon.com/B-Box-Essential-Baby-Bottle/dp/B0088TN3UO/ref=cm_cr_ar_p_d_product_top?ie=UTF8.*

“Skip Hop Grab and GO Formula to Food Container Set”. Found online Feb. 12, 2018 at amazon.ca. Page dated Jun. 22, 2016. Retrieved from https://www.amazon.ca/Skip-Hop-Formula-Container-Multi/dp/B01HEMZ664/ref=pd_sbs_79_2?_encoding=UTF8&psc=1&refRID=PCWRGSSBV6QW91PH4VWE.*

* cited by examiner

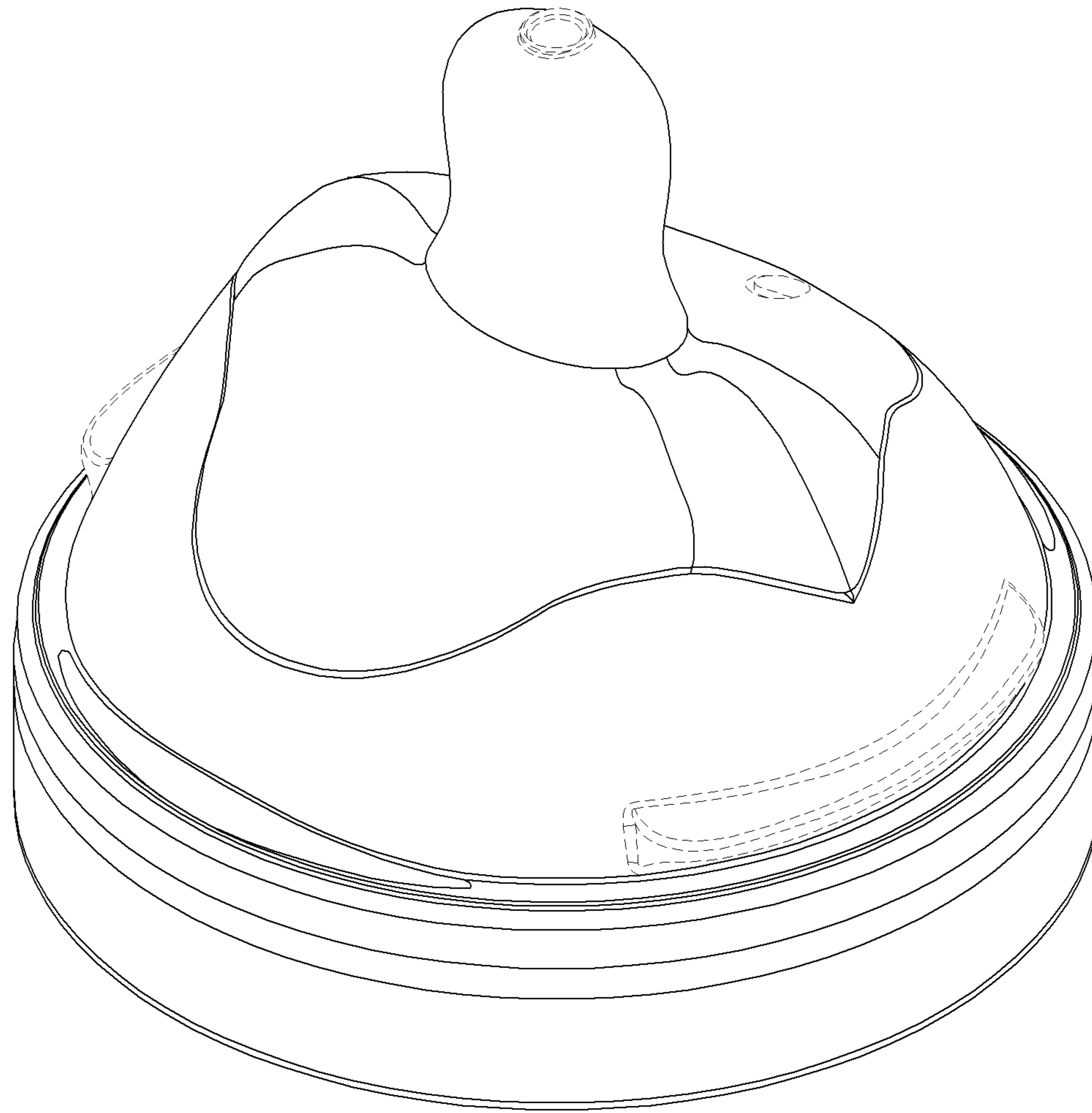


FIG. 1

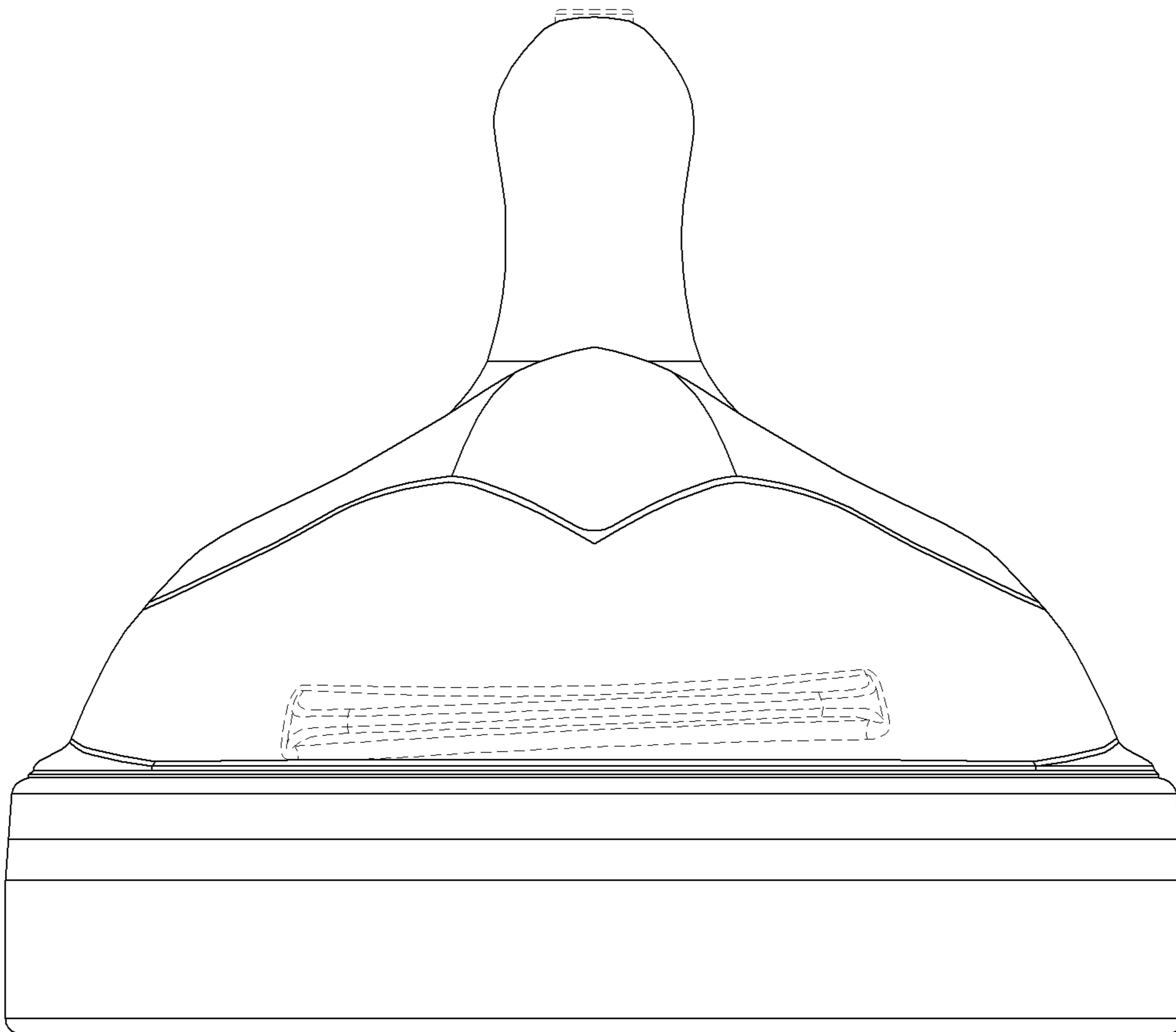


FIG. 2

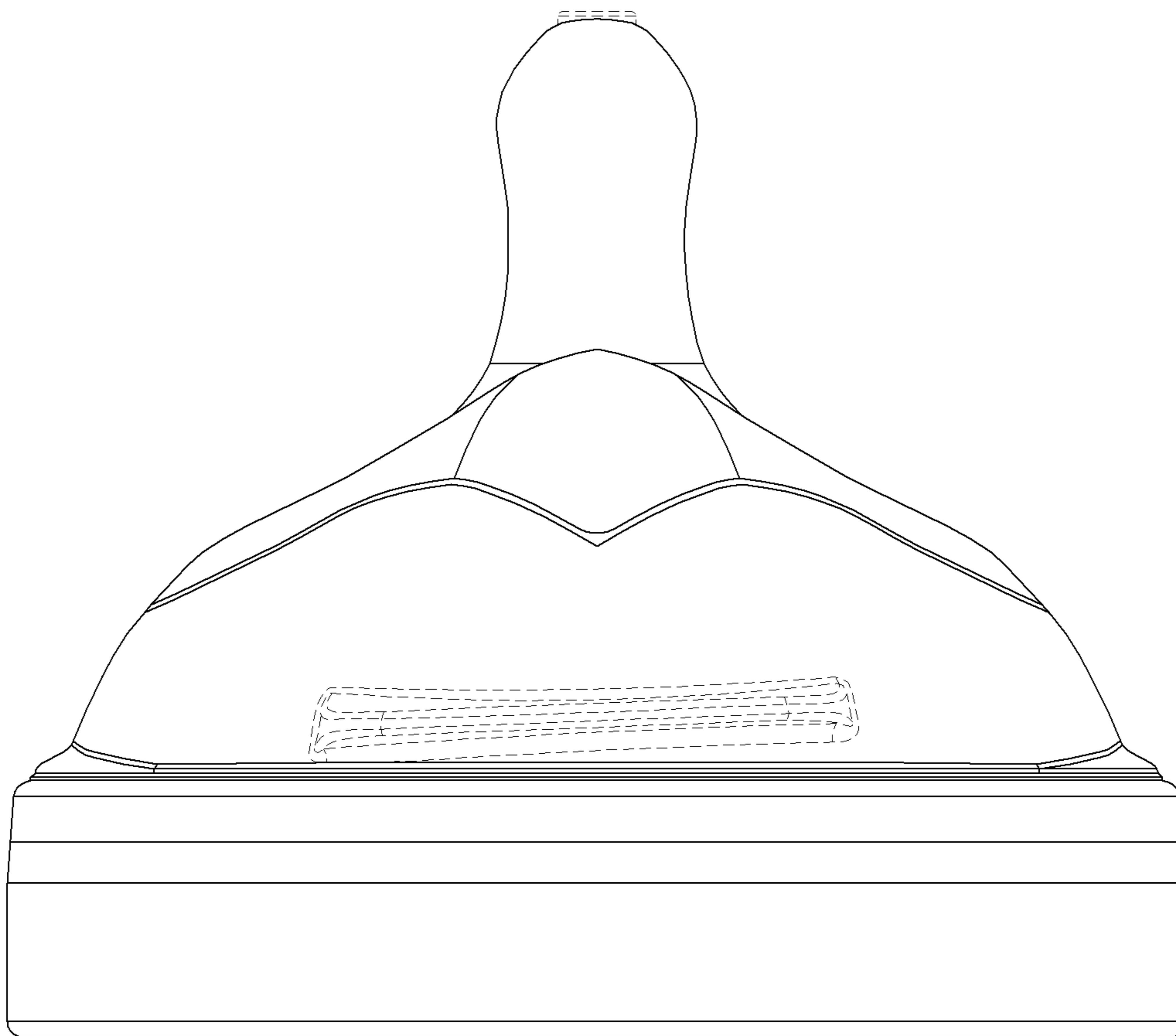


FIG. 3

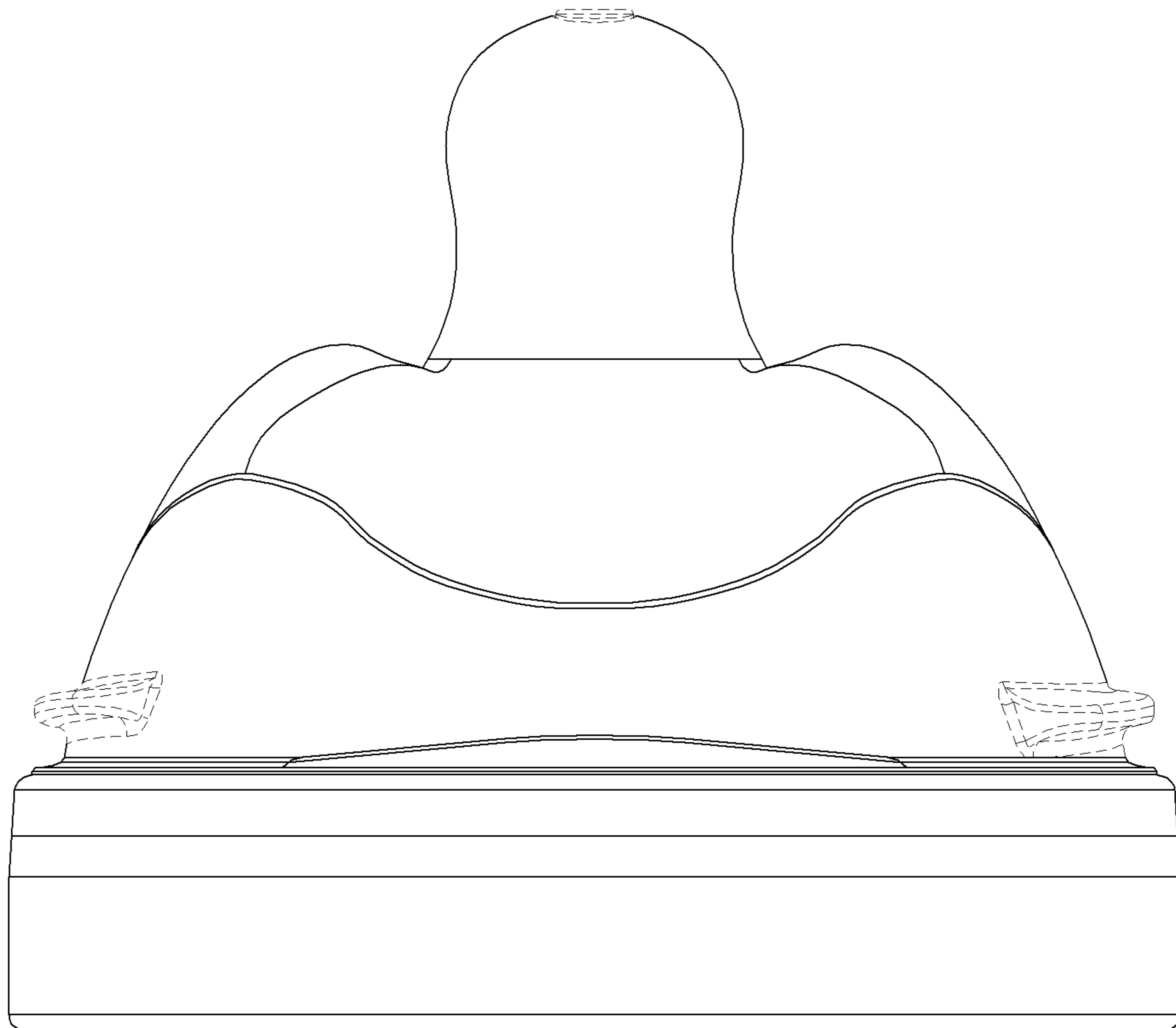


FIG. 4

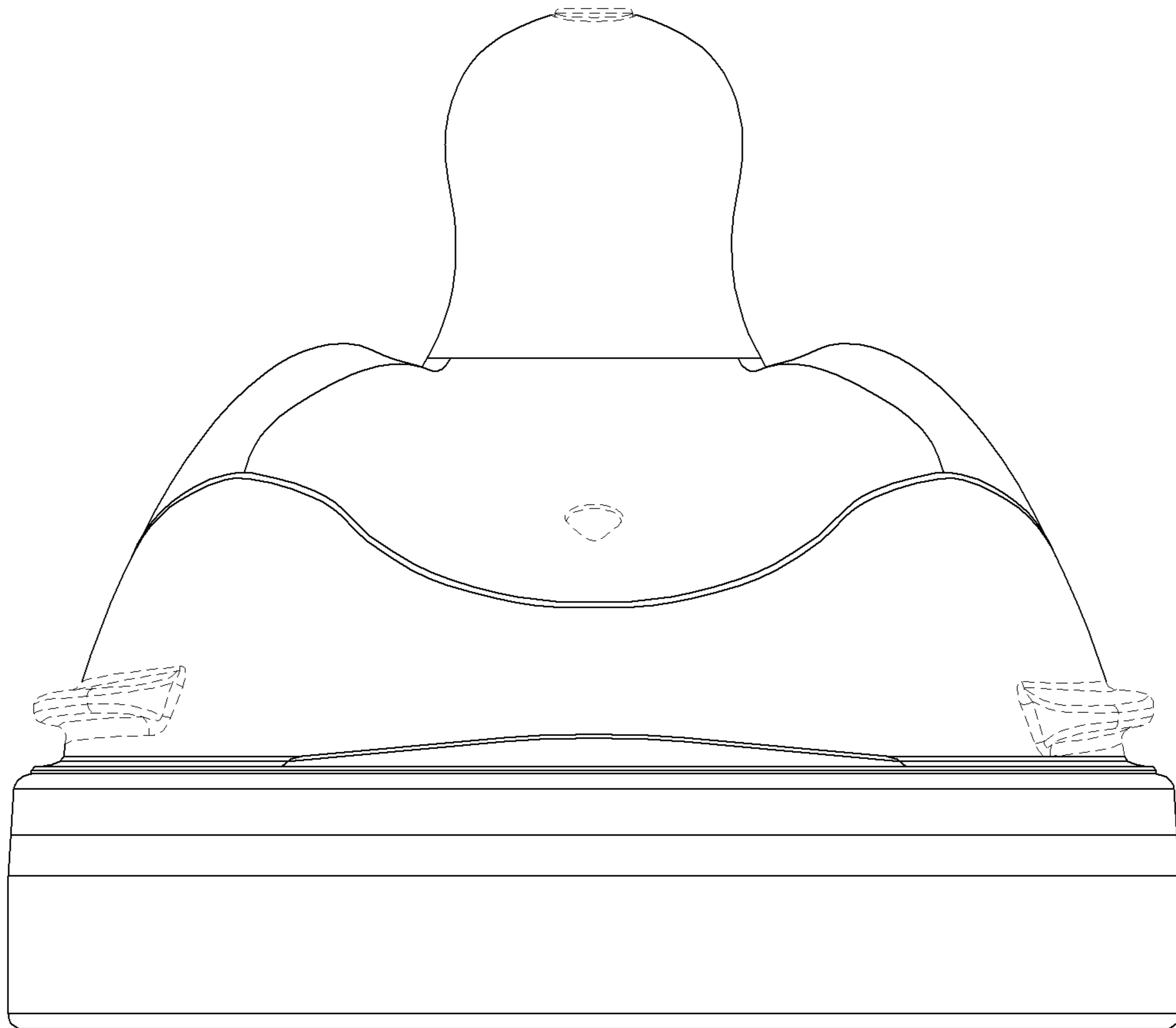


FIG. 5

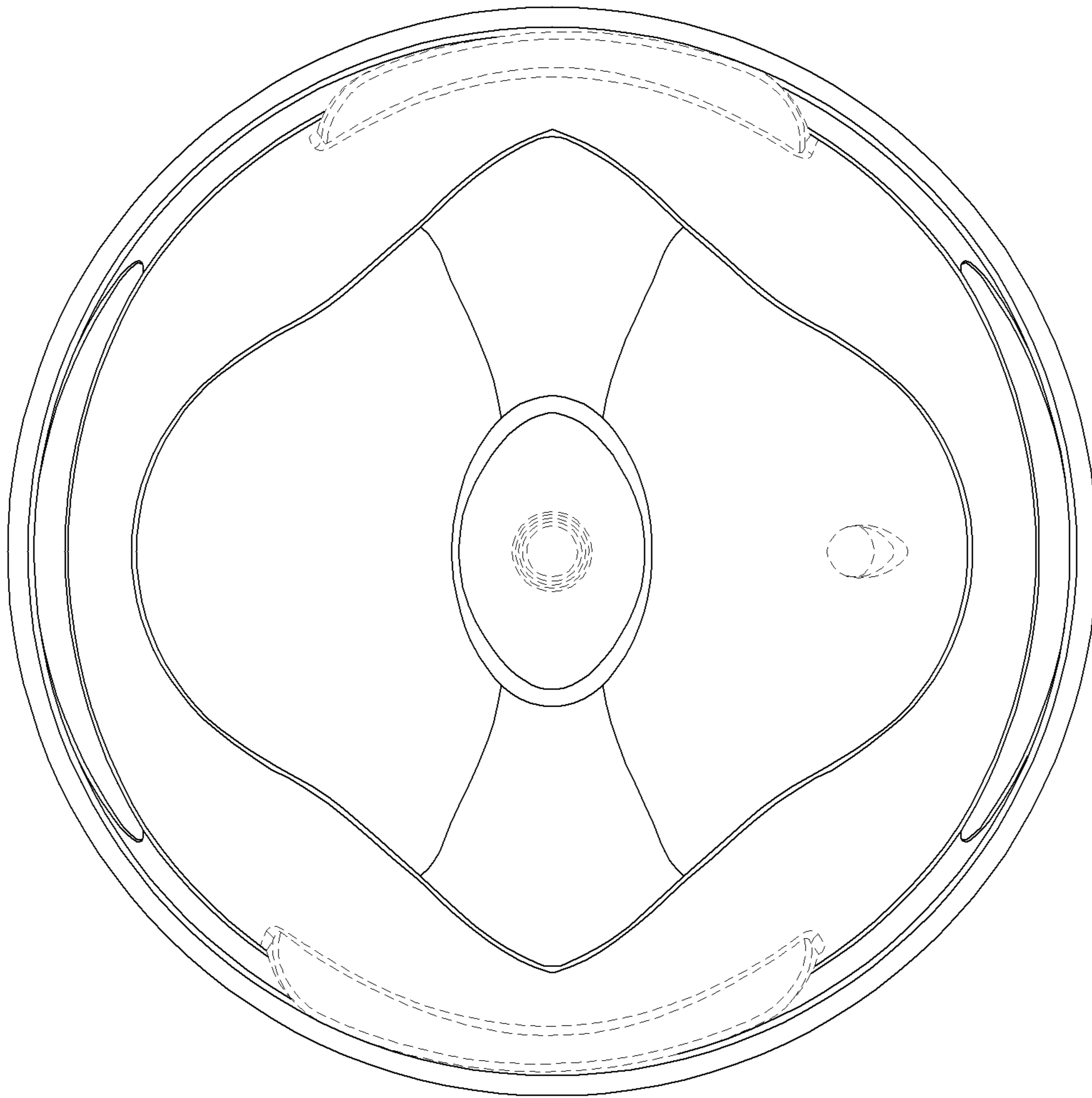


FIG. 6

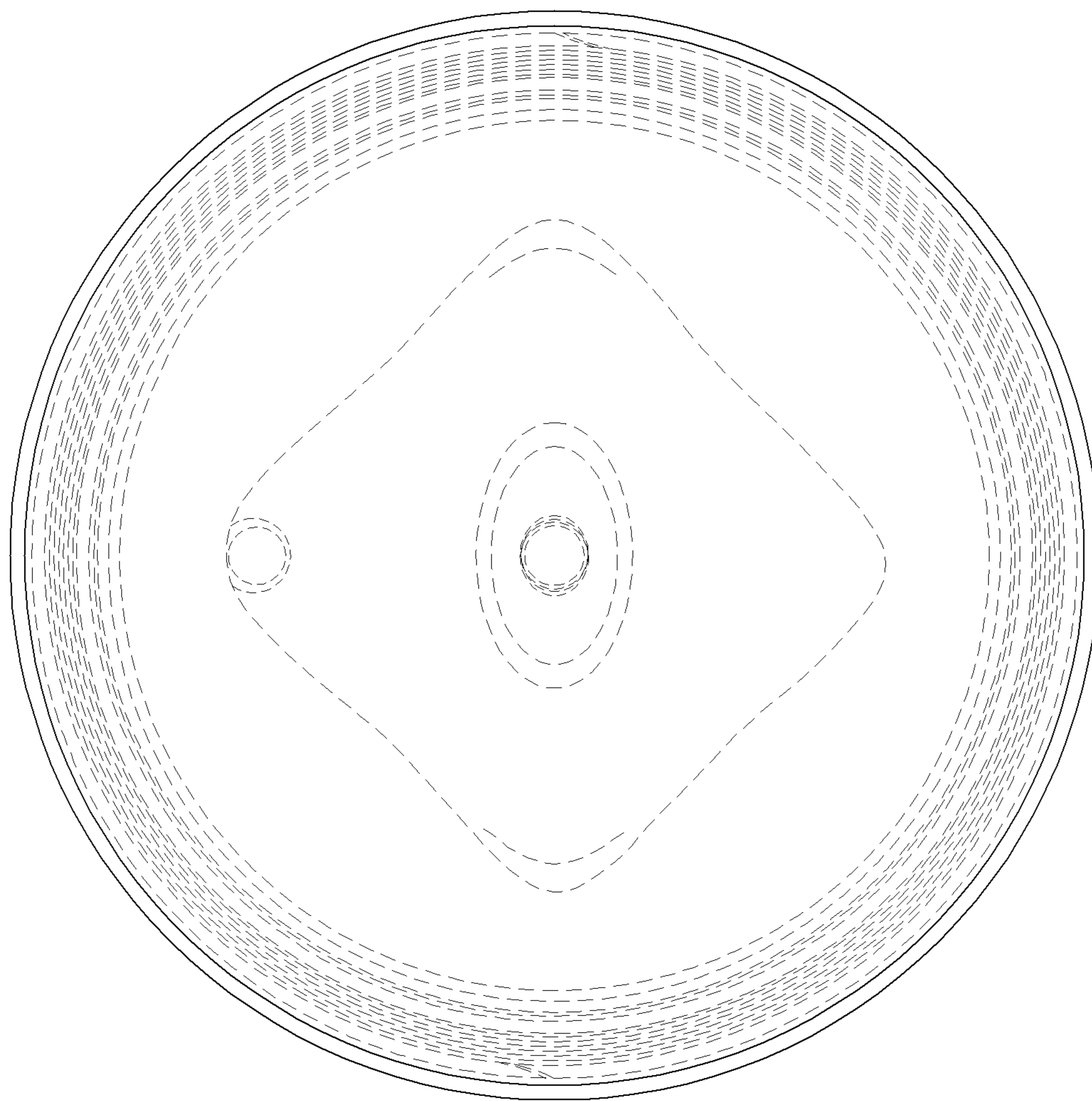


FIG. 7