



US00D861896S

(12) **United States Design Patent** (10) **Patent No.:** **US D861,896 S**
Reed (45) **Date of Patent:** **** Oct. 1, 2019**

(54) **NIPPLE FOR NURSING BOTTLE**
(71) Applicant: **Handi-Craft Company**, St. Louis, MO (US)
(72) Inventor: **Mark D. Reed**, Columbia, IL (US)
(73) Assignee: **Handi-Craft Company**, St. Louis, MO (US)

D441,872 S 5/2001 Johansen et al.
D444,239 S 6/2001 Kobayashi et al.
D463,567 S * 9/2002 Morano D24/196
6,588,613 B1 7/2003 Pechenik et al.
D486,579 S 2/2004 Dunn
6,745,912 B2 6/2004 Uehara et al.
D498,849 S * 11/2004 Randolph D24/196
(Continued)

(**) Term: **15 Years**
(21) Appl. No.: **29/684,017**
(22) Filed: **Mar. 18, 2019**

FOREIGN PATENT DOCUMENTS

EP 2253300 B1 8/2014

OTHER PUBLICATIONS

“Dr. Brown’s Silicone Nipple”. Found online Aug. 17, 2016 at [diapers.com](https://www.diapers.com). Page dated Nov. 1, 2006. Retrieved from <https://www.diapers.com/p/dr-browns-silicone-nipple-level-1-4941>.
(Continued)

Related U.S. Application Data

(62) Division of application No. 29/581,186, filed on Oct. 17, 2016, now Pat. No. Des. 848,628.
(51) **LOC (12) Cl.** **24-04**
(52) **U.S. Cl.**
USPC **D24/196**
(58) **Field of Classification Search**
USPC D24/193, 194, 195, 196, 197, 198, 199;
215/11.1, 11.2, 11.3, 11.4, 11.5, 11.6;
606/236
CPC A61J 11/00; A61J 11/0035; A61J 11/002
See application file for complete search history.

Primary Examiner — Kendra Leslie Hamilton
(74) *Attorney, Agent, or Firm* — Armstrong Teasdale LLP

(57) **CLAIM**

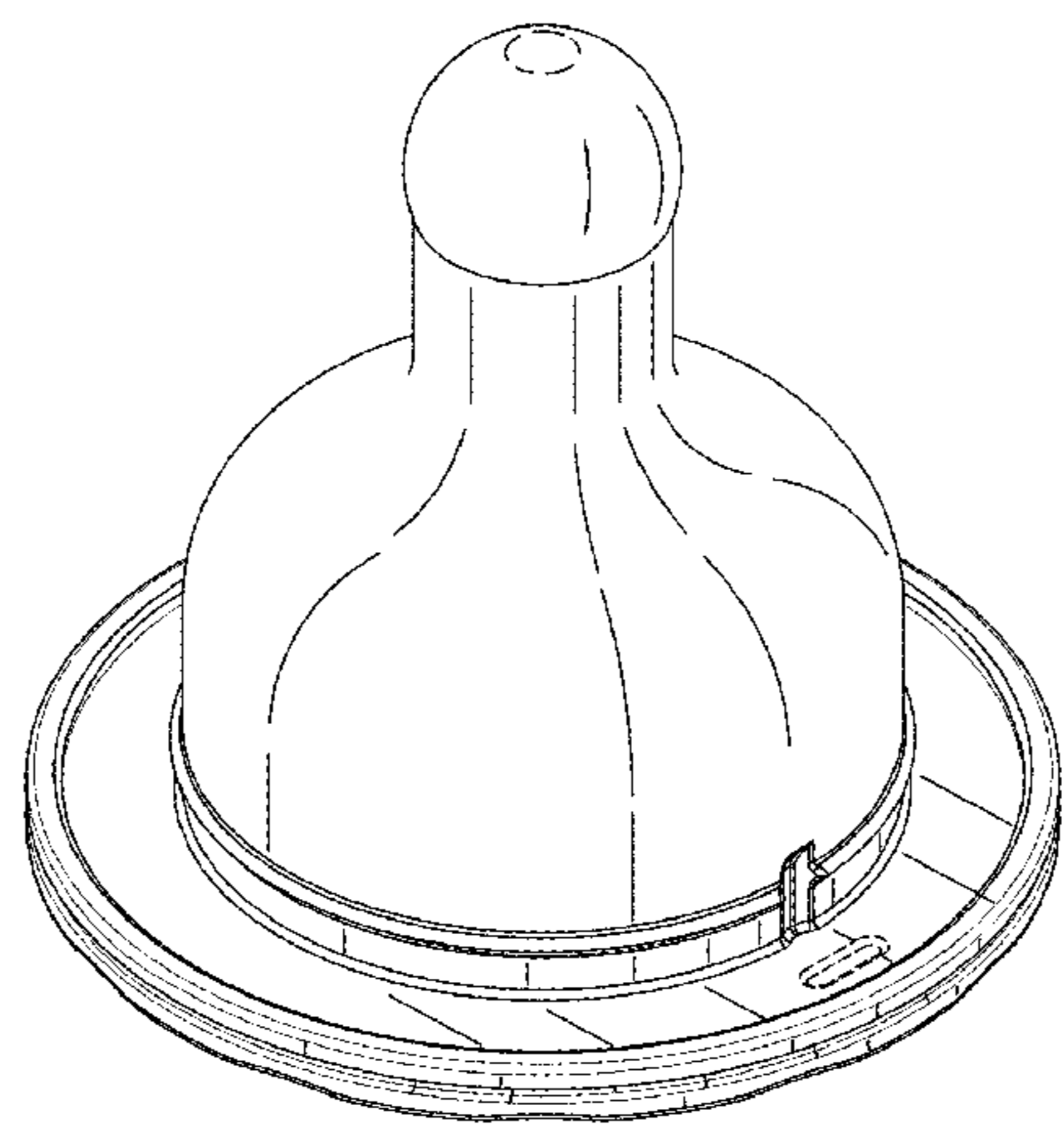
The ornamental design for a nipple for nursing bottle, as shown and described.

DESCRIPTION

FIG. 1 is a perspective view of a nipple for nursing bottle showing my new design;
FIG. 2 is a front elevation thereof;
FIG. 3 is a rear elevation thereof;
FIG. 4 is a right side elevation thereof;
FIG. 5 is a left side elevation thereof;
FIG. 6 is a top plan view thereof; and,
FIG. 7 is a bottom plan view thereof.
In the drawings, the evenly-spaced broken lines illustrate portions of the nipple for nursing bottle that form no part of the claimed design. In FIGS. 2-5 and 7, the dash-dot-dash lines indicate boundaries of the claimed design.

(56) **References Cited**
U.S. PATENT DOCUMENTS
1,714,241 A * 5/1929 Reilly A61J 11/045
215/11.1
2,426,927 A * 9/1947 Ganson A61J 11/02
215/11.1
2,822,102 A 2/1958 Edward
4,723,668 A 2/1988 Cheng
D330,938 S 11/1992 Sakashita
5,881,893 A 3/1999 Manganiello
D412,582 S 8/1999 Morano
D441,870 S 5/2001 Randolph

1 Claim, 7 Drawing Sheets



(56)

References Cited

U.S. PATENT DOCUMENTS

D520,142 S 5/2006 Mallet
 D549,833 S * 8/2007 Brown D24/197
 7,287,657 B1 10/2007 Rodriguez
 D599,481 S 9/2009 Drummond et al.
 7,828,165 B2 11/2010 Brown et al.
 D666,731 S 9/2012 Müstecaplio
 D713,259 S * 9/2014 Naef D9/428
 D725,787 S 3/2015 Brown
 D742,019 S 10/2015 Montgomery et al.
 D752,234 S * 3/2016 Moore D24/196
 9,913,780 B2 * 3/2018 Quackenbush A61J 11/002
 D848,628 S * 5/2019 Reed D24/196
 2003/0093120 A1 5/2003 Renz
 2004/0226906 A1 * 11/2004 Peterson A61J 11/0025
 215/11.5
 2006/0011571 A1 1/2006 Silver
 2007/0102388 A1 5/2007 Lewis et al.
 2009/0114143 A1 * 5/2009 Shih A61J 11/008
 116/2
 2012/0043293 A1 2/2012 Bryan et al.

2012/0181245 A1 * 7/2012 Lam A61J 11/02
 215/11.5
 2015/0164748 A1 6/2015 Brown
 2018/0036207 A1 * 2/2018 Clores A61J 11/002

OTHER PUBLICATIONS

“NUK Gerber First Essential Silicone BPA Free Nipples Slow Flow”. Found online May 23, 2018 at amazon.in. Page dated Feb. 18, 2018. Retrieved from https://www.amazon.in/Gerber-First-Essential-Silicone-Nipples/dp/B00155WJRG/ref=sr_1_1?s=baby&ie=UTF8&qid=1527108960&sr+1-1&keywords=nuk+nipple.
 “Dr. Brown’s Level-2 Wide Neck Nipple”. Found online May 23, 2018 at amazon.co.uk. Page dated Apr. 11, 2014. Retrieved from https://www.amazon.co.uk/Dr-BrownS-Level-2-Wide-Nipple/dp/B015UICLYY/ref=sr_1_6_a_it??ie=UTF8&qid=1527119901&sr=8-6&keywords=dr+brown+wide+neck.
 “Pura Kiki Stainless Infant Bottle Stainless Steel with Natural Vent Nipple”. Found online May 23, 2018 at amazon.ca. Page dated Jan. 2, 2014. Retrieved from https://www.amazon.ca/Pura-Kiki-Stainless-infant-Natural/dp/B00AV53YYI/ref=sr_1_1?srs=8324896011&ie=UTF8&qid=1527106291&st=8-1.

* cited by examiner

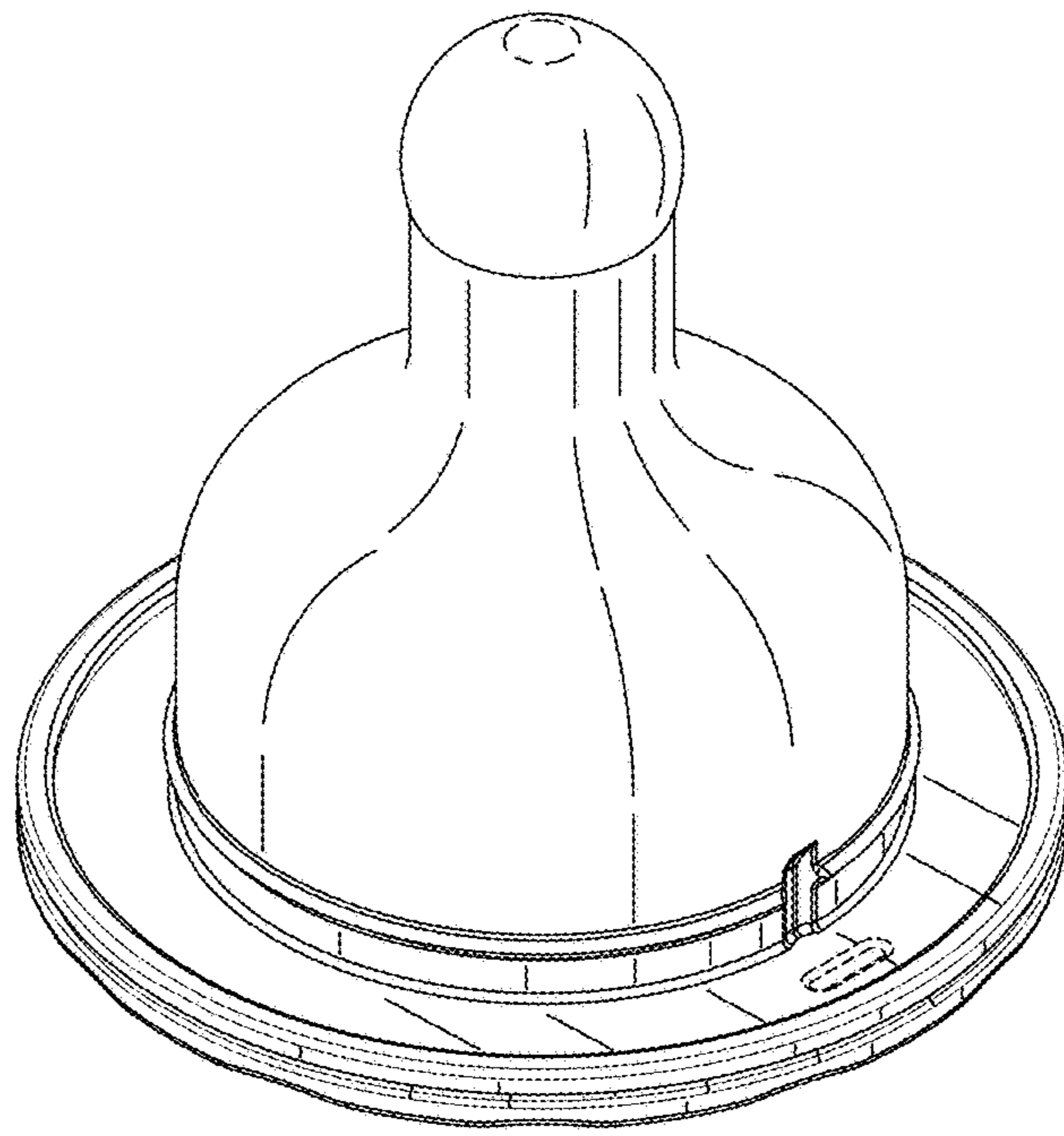


FIG. 1

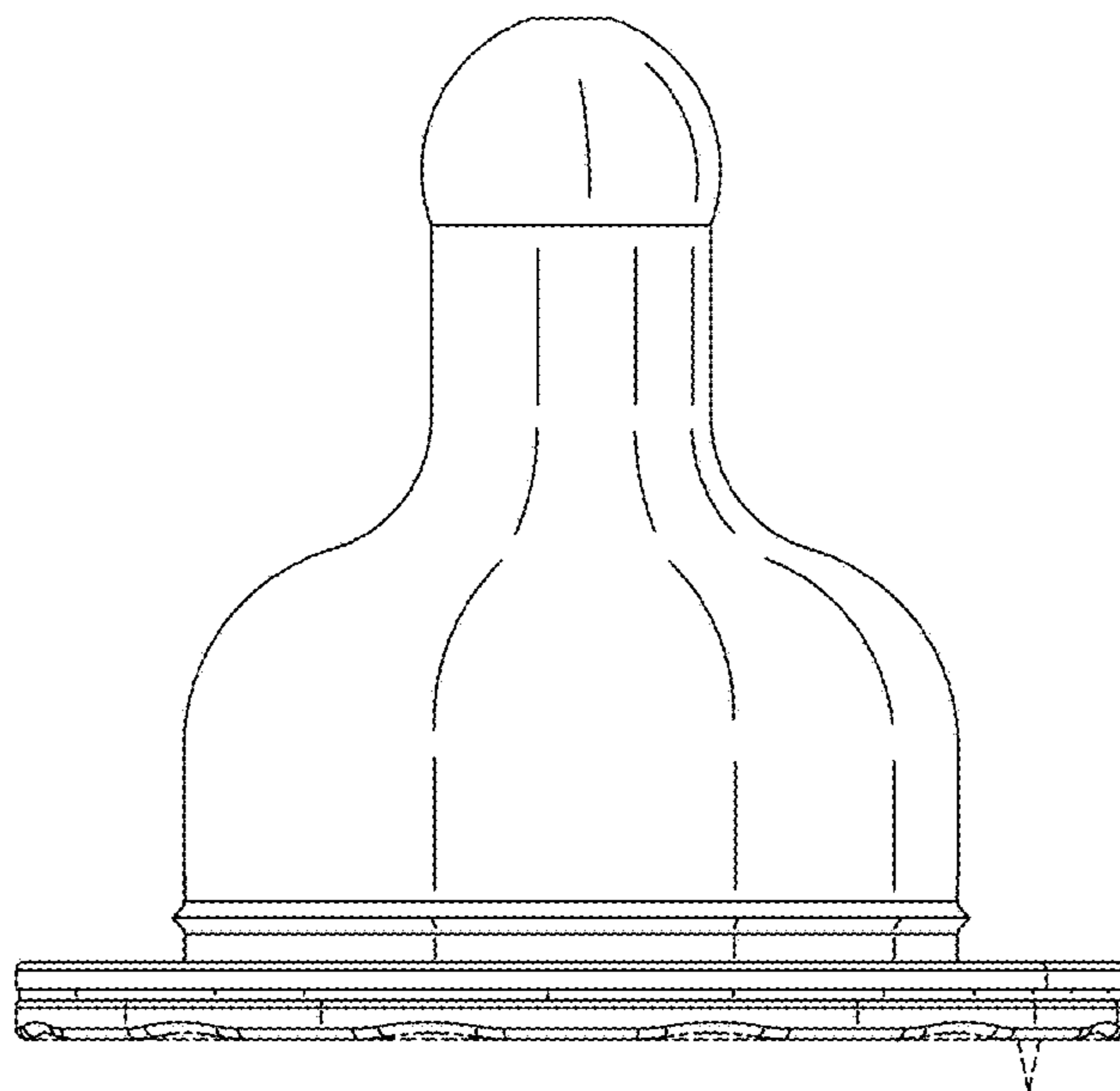


FIG. 2

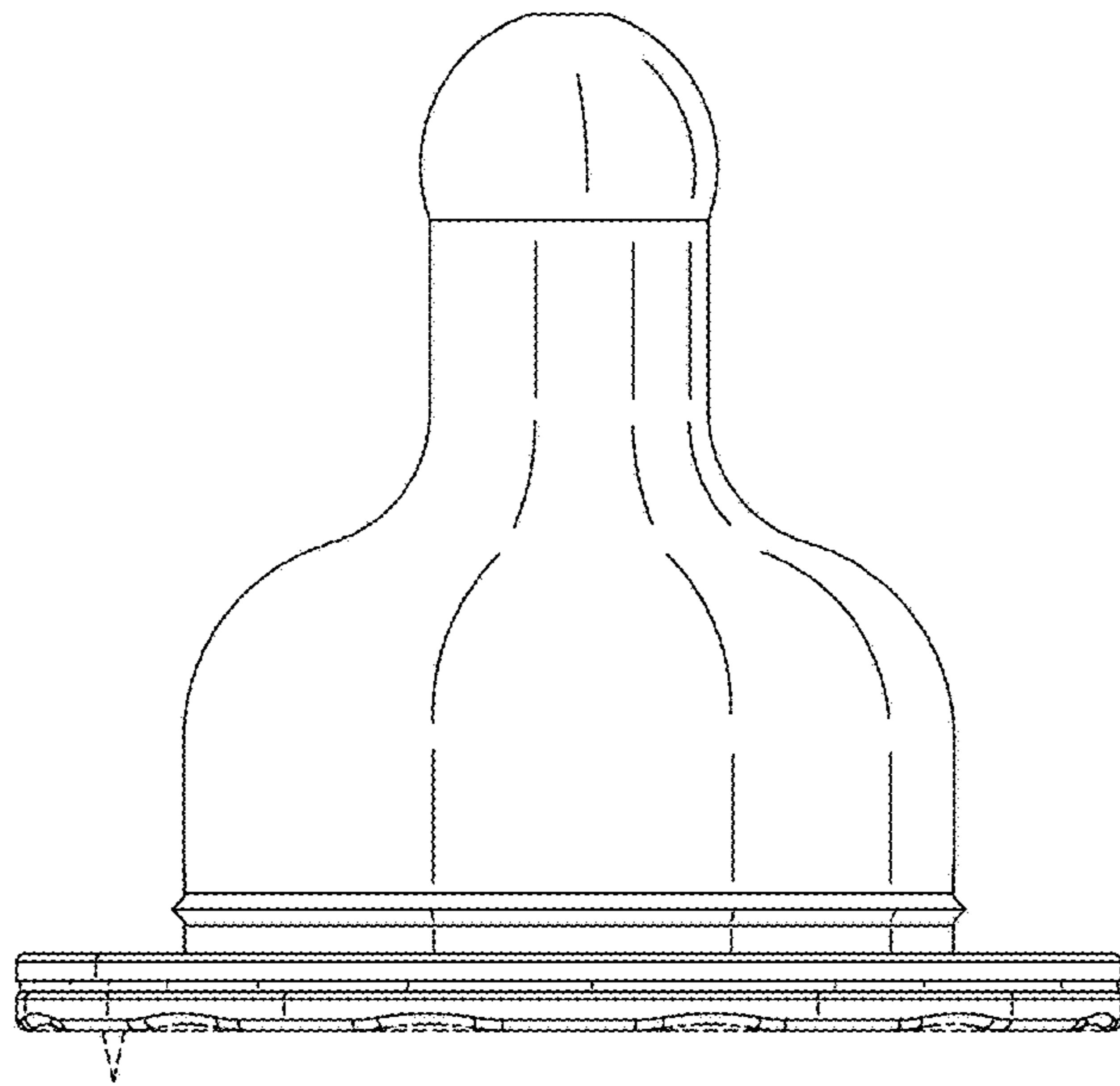


FIG. 3

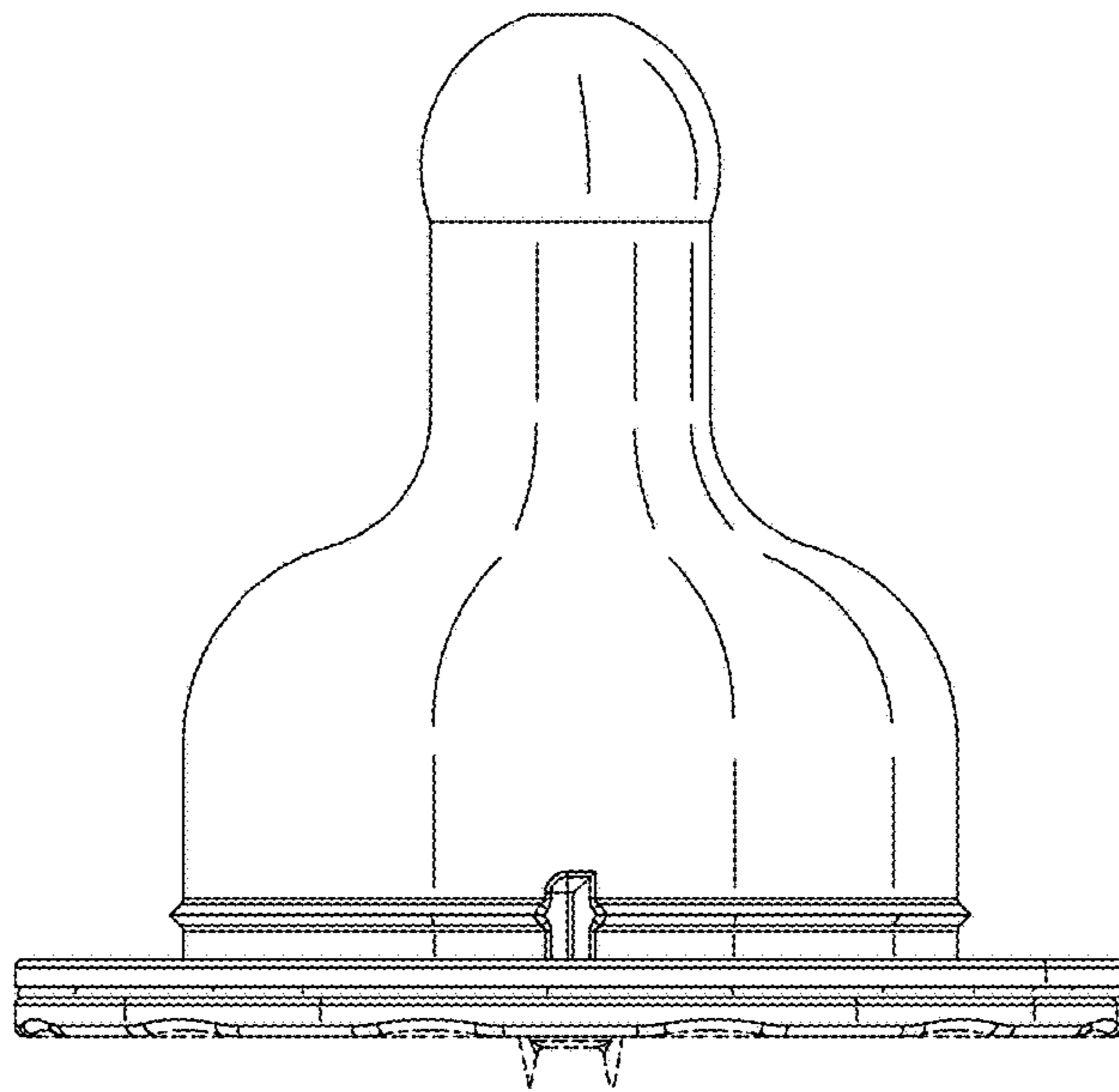


FIG. 4

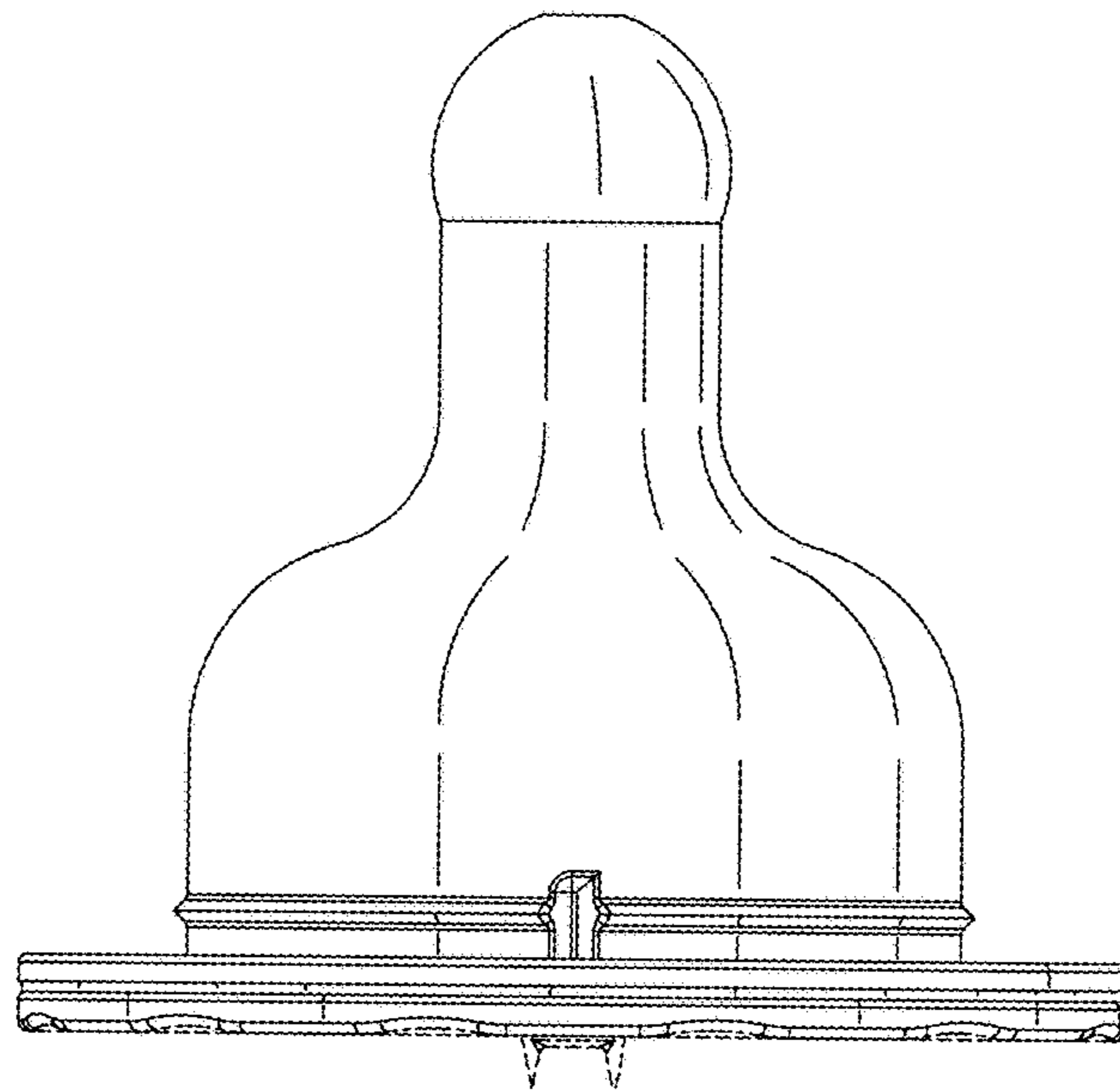


FIG. 5

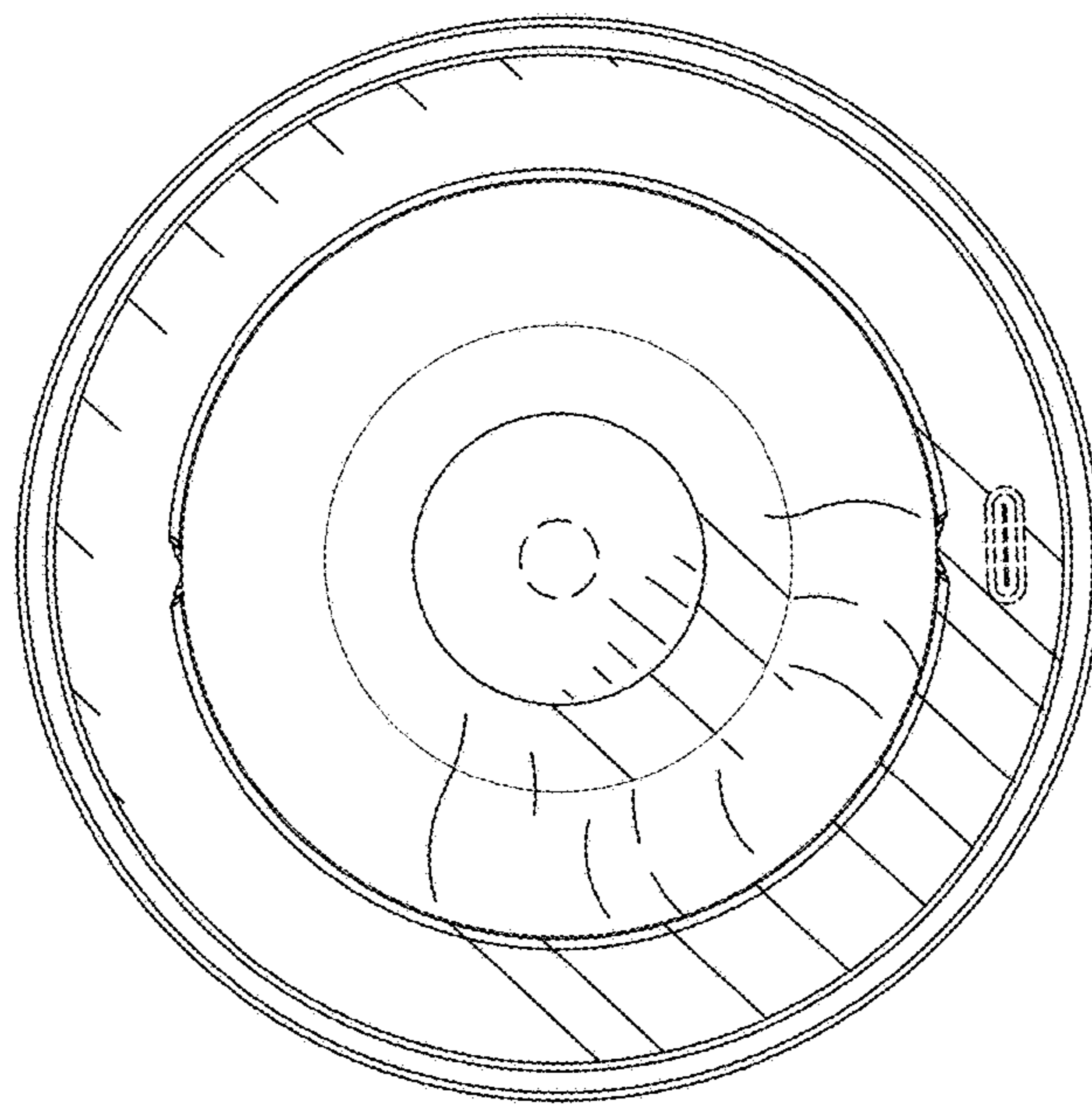


FIG. 6

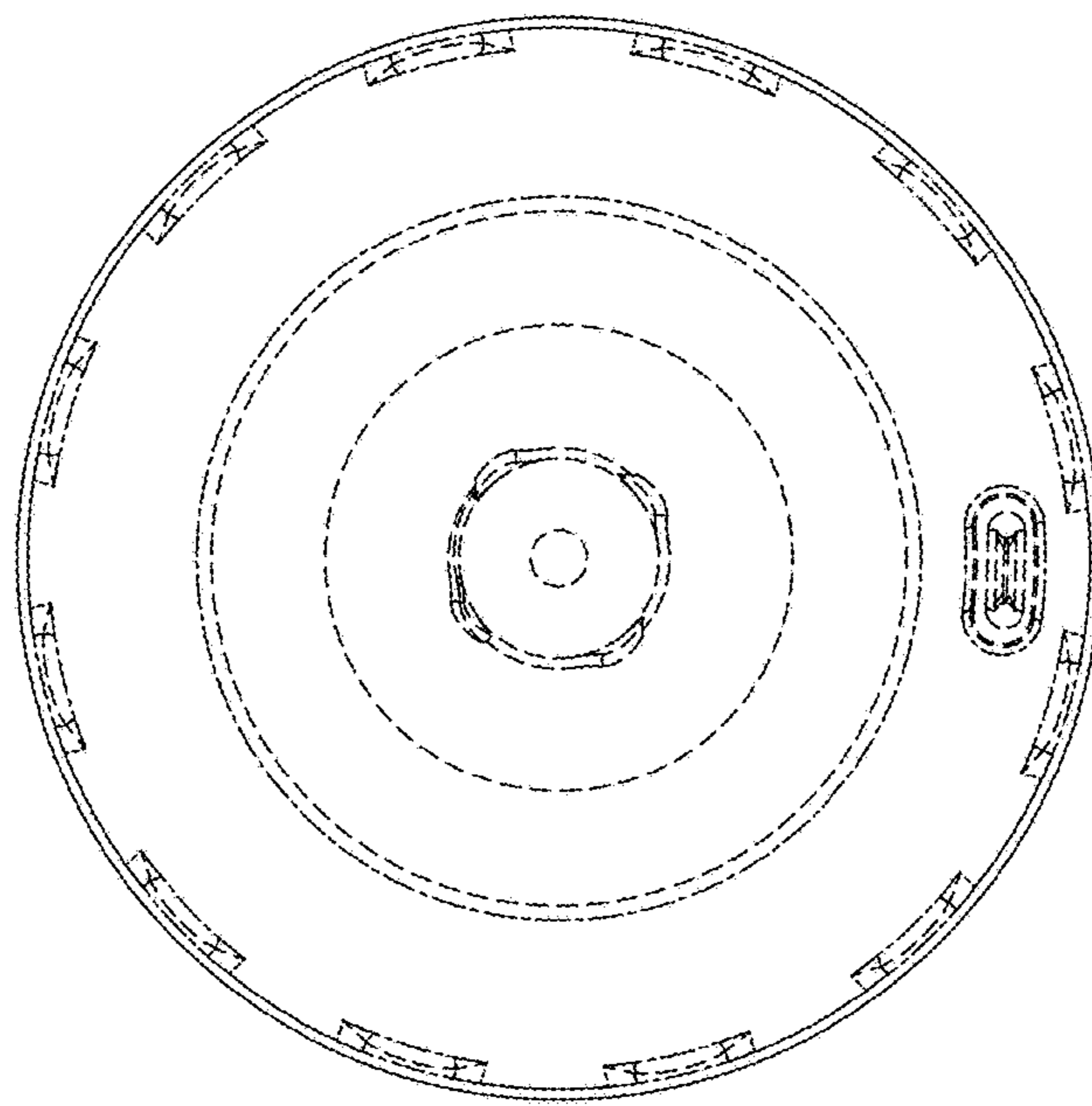


FIG. 7