



US00D861895S

(12) **United States Design Patent** (10) **Patent No.:** **US D861,895 S**
Clores (45) **Date of Patent:** **** Oct. 1, 2019**

(54) **BABY BOTTLE NIPPLE**

- (71) Applicant: **Edgardo Clores**, Las Vegas, NV (US)
- (72) Inventor: **Edgardo Clores**, Las Vegas, NV (US)
- (73) Assignee: **MACE CORPORATION**, Las Vegas, NV (US)
- (**) Term: **15 Years**
- (21) Appl. No.: **29/632,959**
- (22) Filed: **Jan. 11, 2018**
- (51) **LOC (12) Cl.** **24-04**
- (52) **U.S. Cl.**
USPC **D24/196**
- (58) **Field of Classification Search**
USPC D24/193, 194, 195, 196, 197, 198, 199;
215/11.1, 11.2, 11.3, 11.4, 11.5, 11.6;
606/236
CPC A61J 11/00; A61J 11/0035
See application file for complete search history.

(56) **References Cited**

U.S. PATENT DOCUMENTS

- 2,960,088 A * 11/1960 Witz A61J 11/0085
137/846
- D262,576 S * 1/1982 Anderson-Shanklin D24/196
- 4,676,386 A * 6/1987 Phlaphongphanich
A61J 11/006
215/11.1
- D339,197 S * 9/1993 Ziegler D24/196
- D444,239 S * 6/2001 Kobayashi D24/196
- D511,836 S * 11/2005 Morano D24/197
- D599,028 S * 8/2009 Schofield D24/196
- D714,950 S * 10/2014 Lo D7/602
- D734,476 S * 7/2015 Chaitanarit D24/196
- 2004/0220618 A1 * 11/2004 Rohrig A61J 11/0035
606/234
- 2008/0210655 A1 * 9/2008 Rees A61J 11/006
215/11.5
- 2012/0267334 A1 * 10/2012 Yamashita A61J 11/02
215/11.5
- 2017/0112720 A1 * 4/2017 Wagenknecht A61J 11/006

OTHER PUBLICATIONS

“aMACEing Zero Leak Baby Bottle with Anti-Colic Vent and Variable Flow”. Found online Feb. 26, 2019 at amazon.com. Page dated Jul. 4, 2018. Retrieved from https://www.amazon.com/. . . ACEing-Baby-Anti-Colic-Variable-Leak-Proof/dp/B07DNKJNCL/ref=sr_1_38?keywords=mace%2Bbaby&qid=1551209940&s=baby-products&sr=1-38&th=1.*

“NUK Ready to Feed Latex Orthodontic Nipples”. Found online May 23, 2018 at amazon.co.uk. Page dated Aug. 8, 2015. Retrieved from https://www.amazon.co.uk/NUK-Ready-Latex-Orthodontic-Nipples/dp/B006JF1KGS/ref=sr_1_2_a_it?ie=UTF8&qid=1527108851&sr=8-2&keywords=nuk+ready+to+feed.*

“Evenflo Feeding Balance Plus Wide Neck Nipple”. Found online Feb. 14, 2019 at amaxon.com. Page dated Mar. 9, 2017. Retrieved from https://www.amazon.com/Evenflo-Feeding-Balance-Nipples-Bottles/dp/B01M9CZWWA/ref=cm_cr_arp_d_product_top?ie=UTF8&th=1.*

* cited by examiner

Primary Examiner — Kendra Leslie Hamilton
(74) *Attorney, Agent, or Firm* — Weiss & Moy, P.C.;
Jeffrey D. Moy

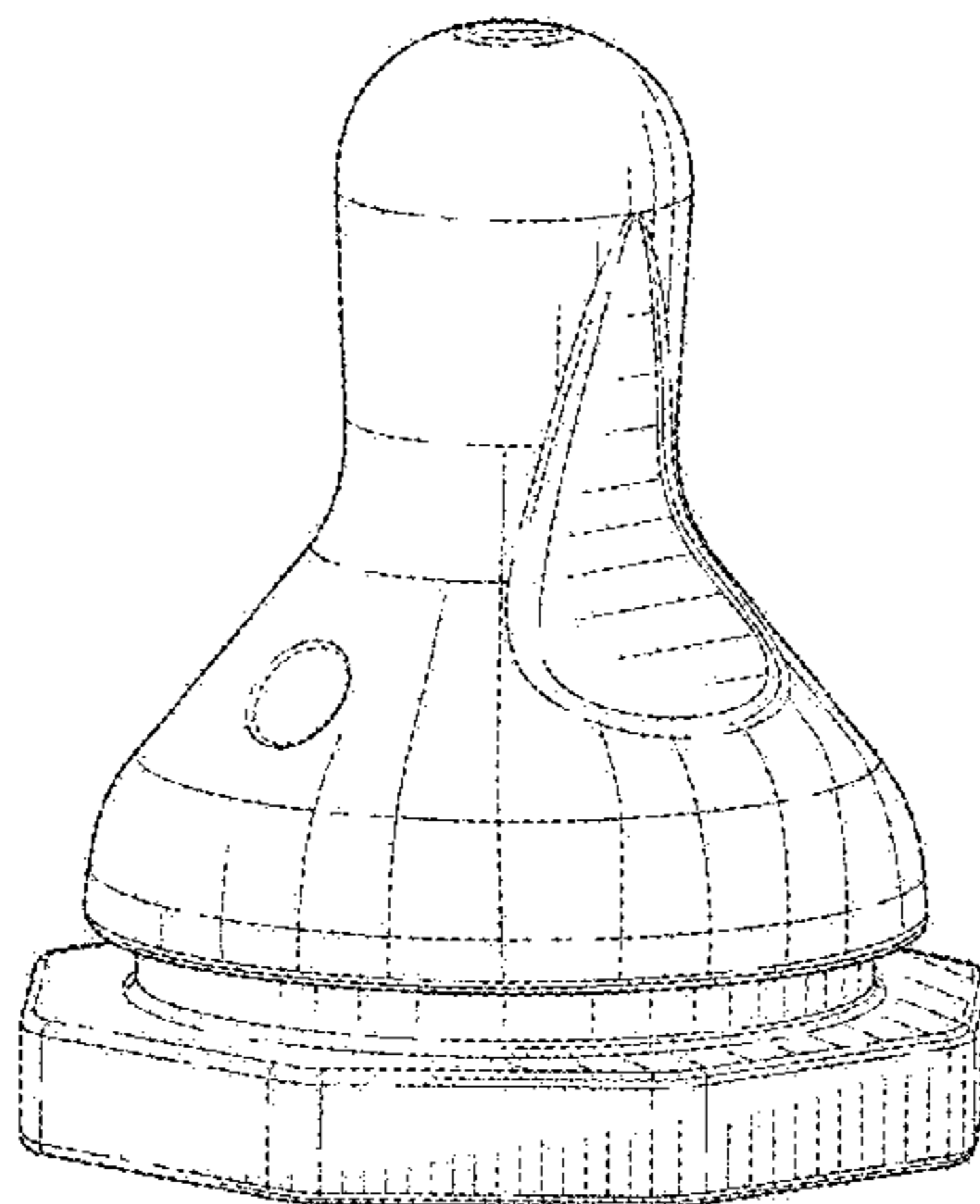
(57) **CLAIM**

The ornamental design for a baby bottle nipple, as shown and described.

DESCRIPTION

FIG. 1 is a top left perspective view of a baby bottle nipple, showing my new design;
FIG. 2 is a front elevation view thereof;
FIG. 3 is a rear elevation view thereof;
FIG. 4 is a left side elevation view thereof;
FIG. 5 is a right side elevation view thereof;
FIG. 6 is a top plan view thereof; and,
FIG. 7 is a bottom plan view thereof.
The broken lines in the drawings depict portions of the baby bottle nipple that form no part of the claimed design.

1 Claim, 4 Drawing Sheets



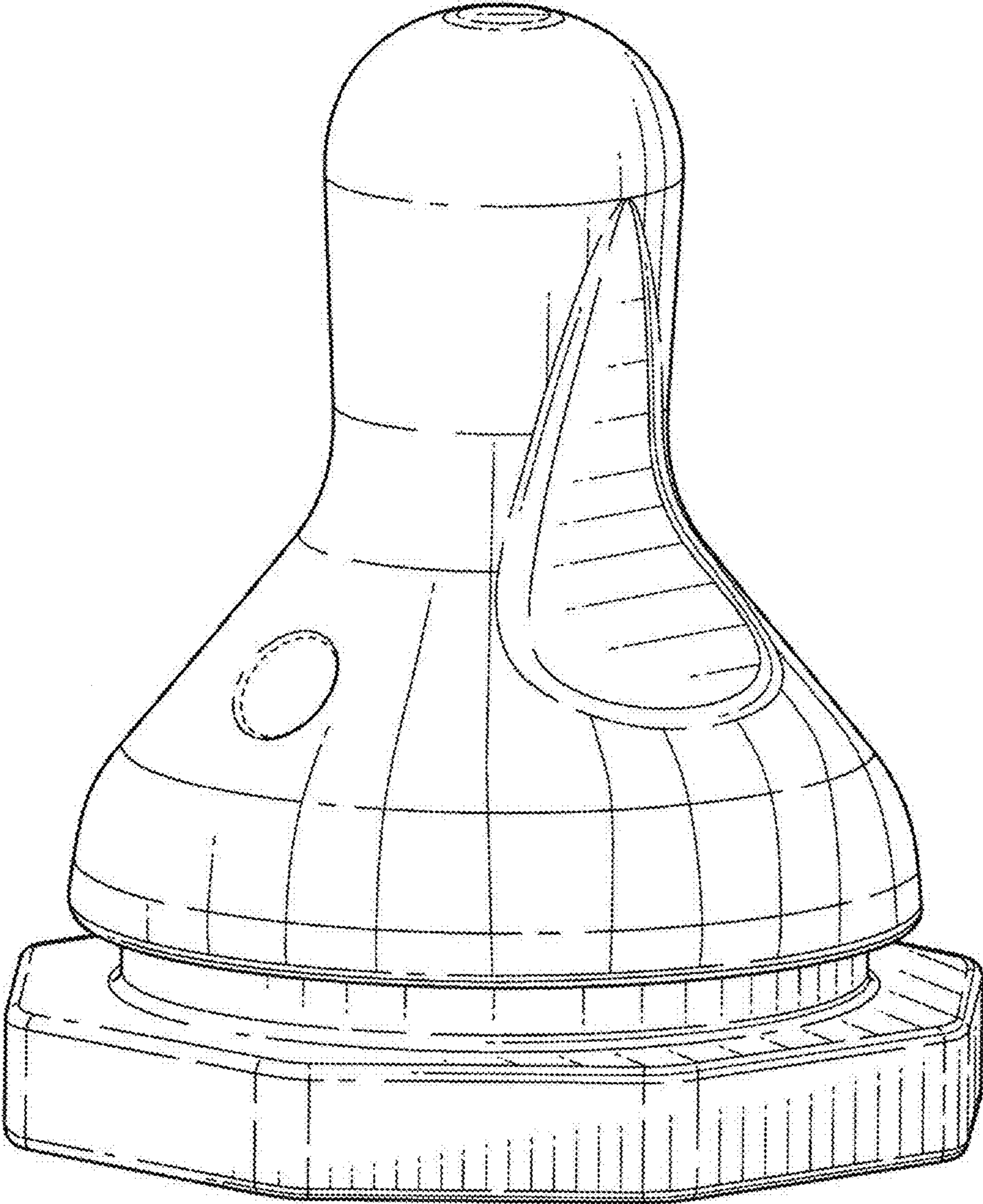


FIG. 1

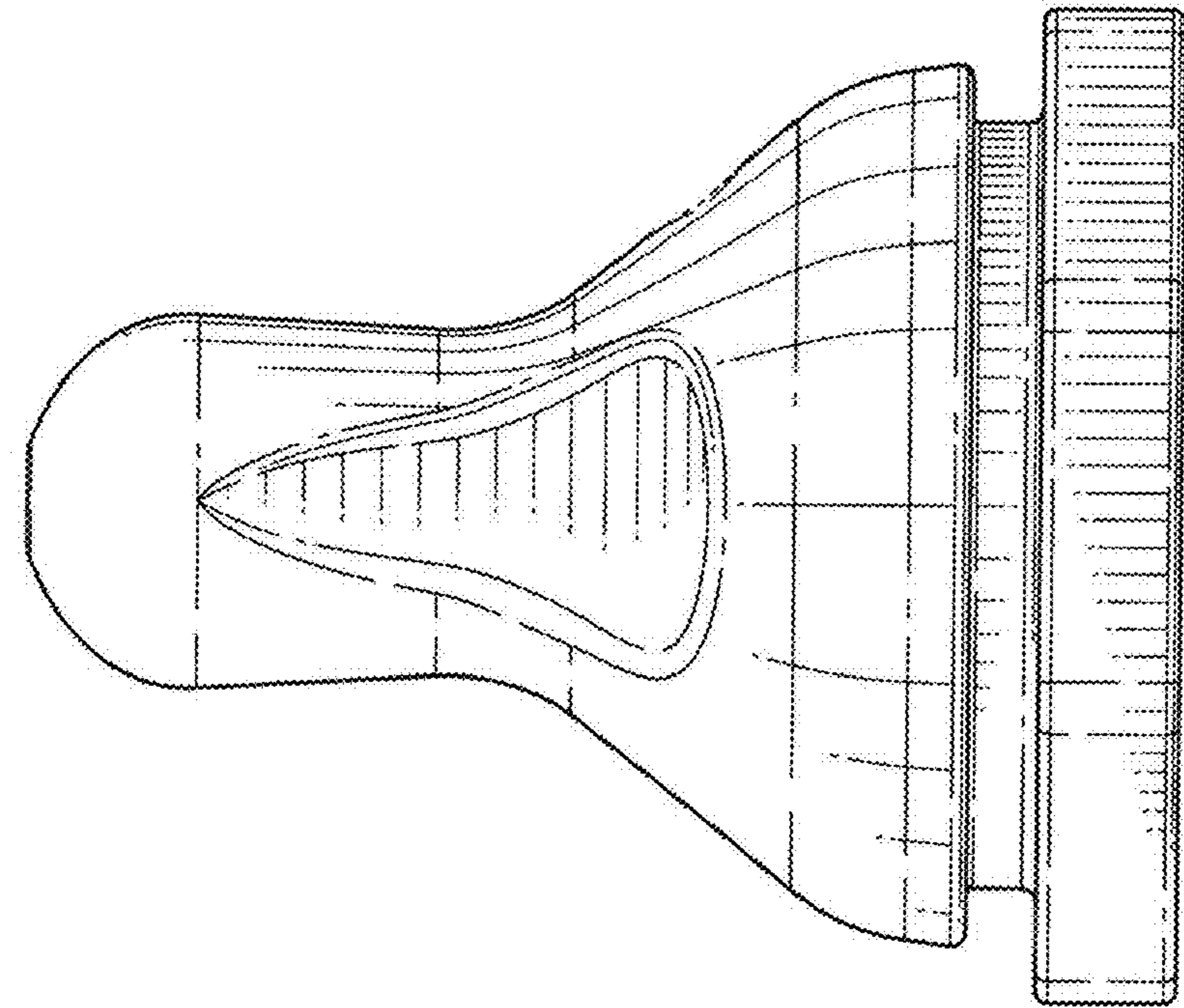


FIG. 3

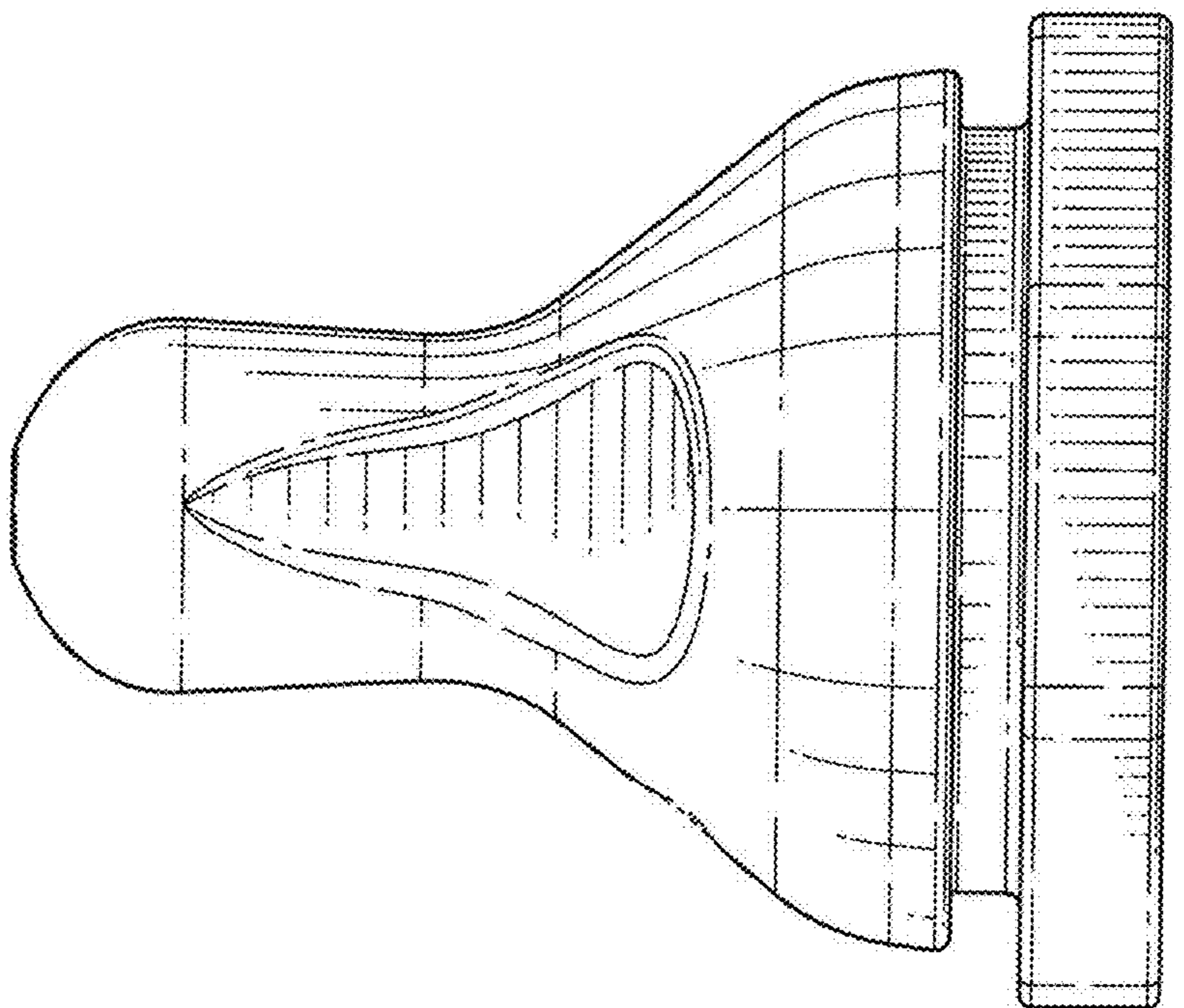


FIG. 2

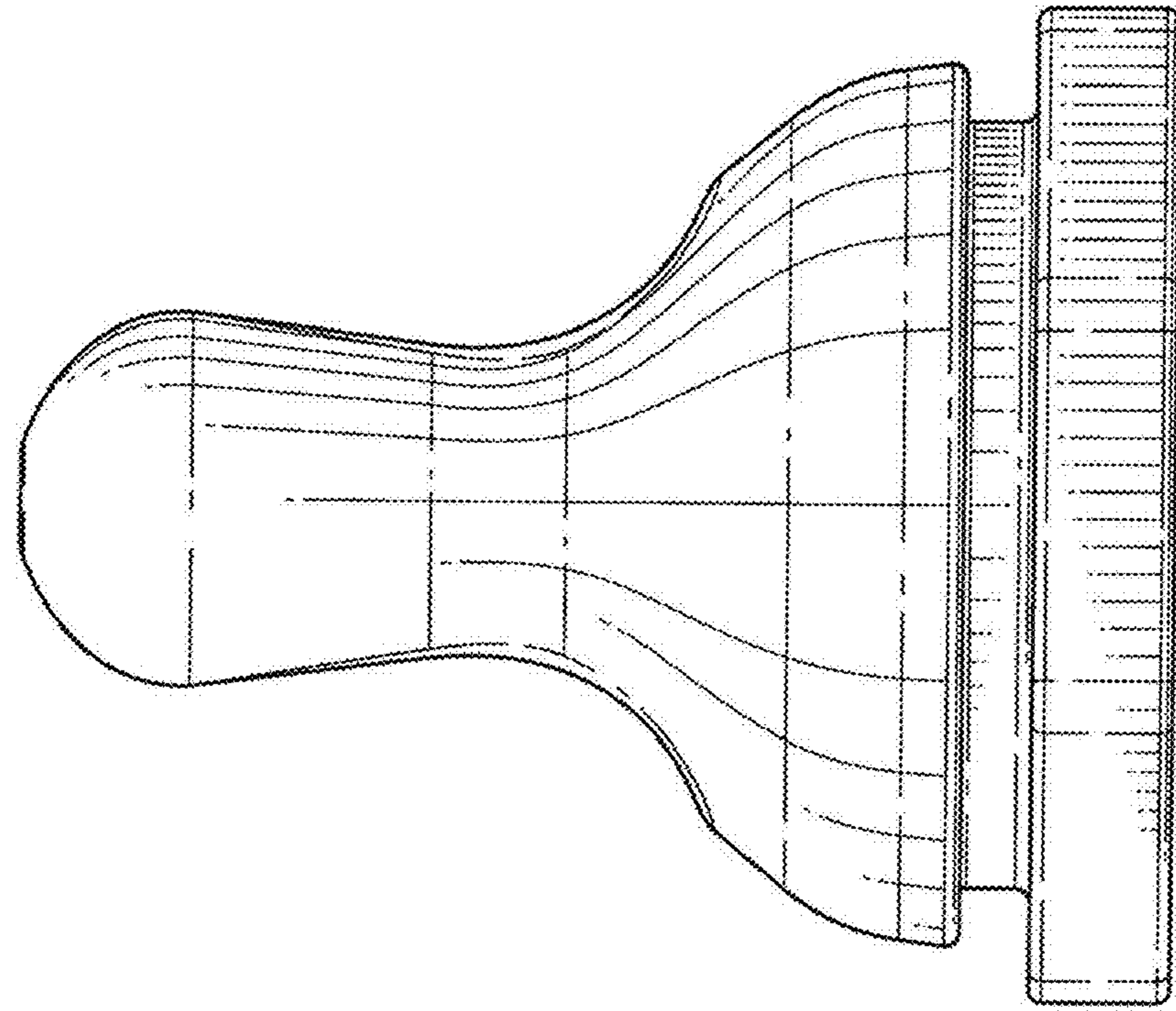


FIG. 5

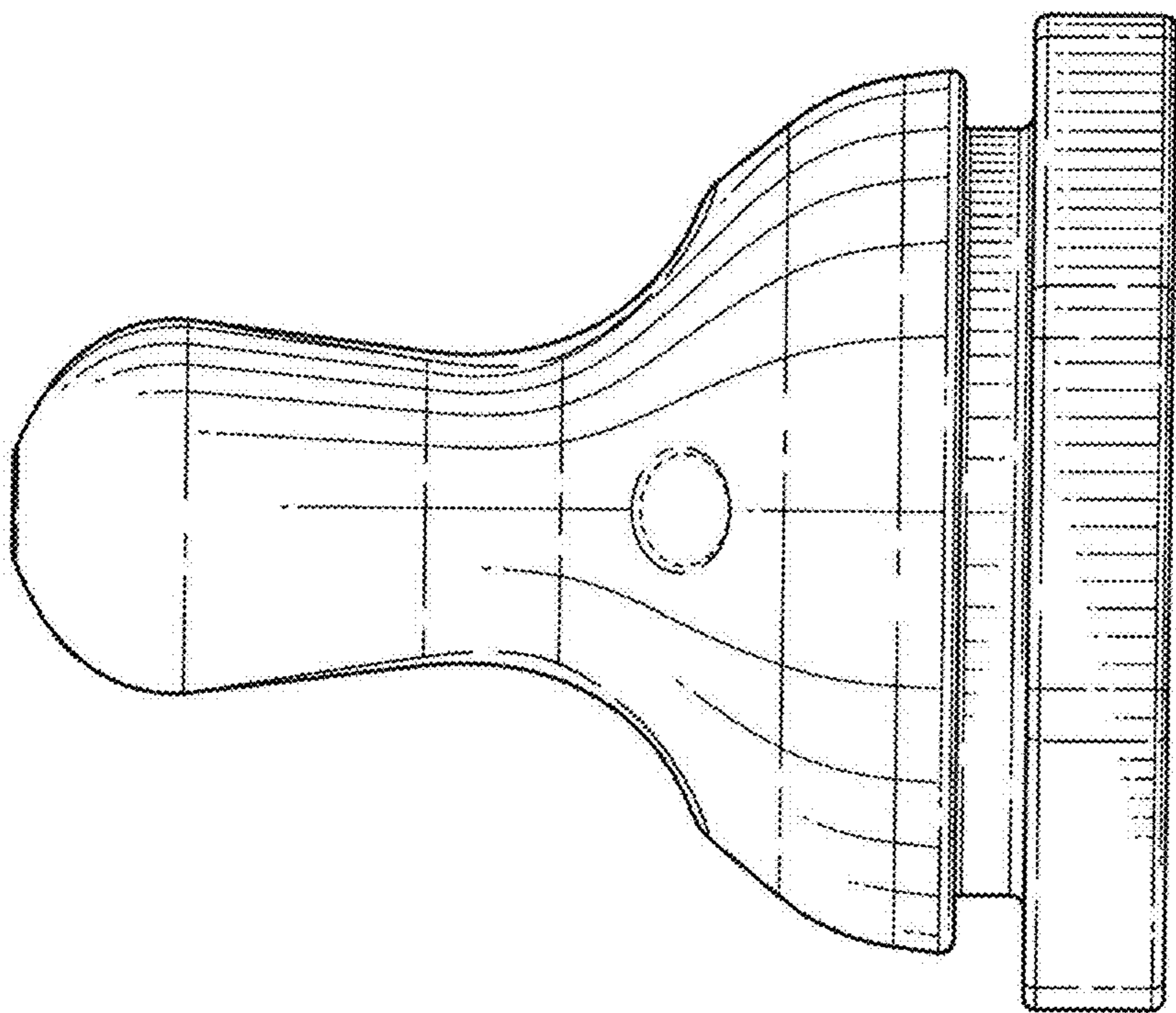


FIG. 4

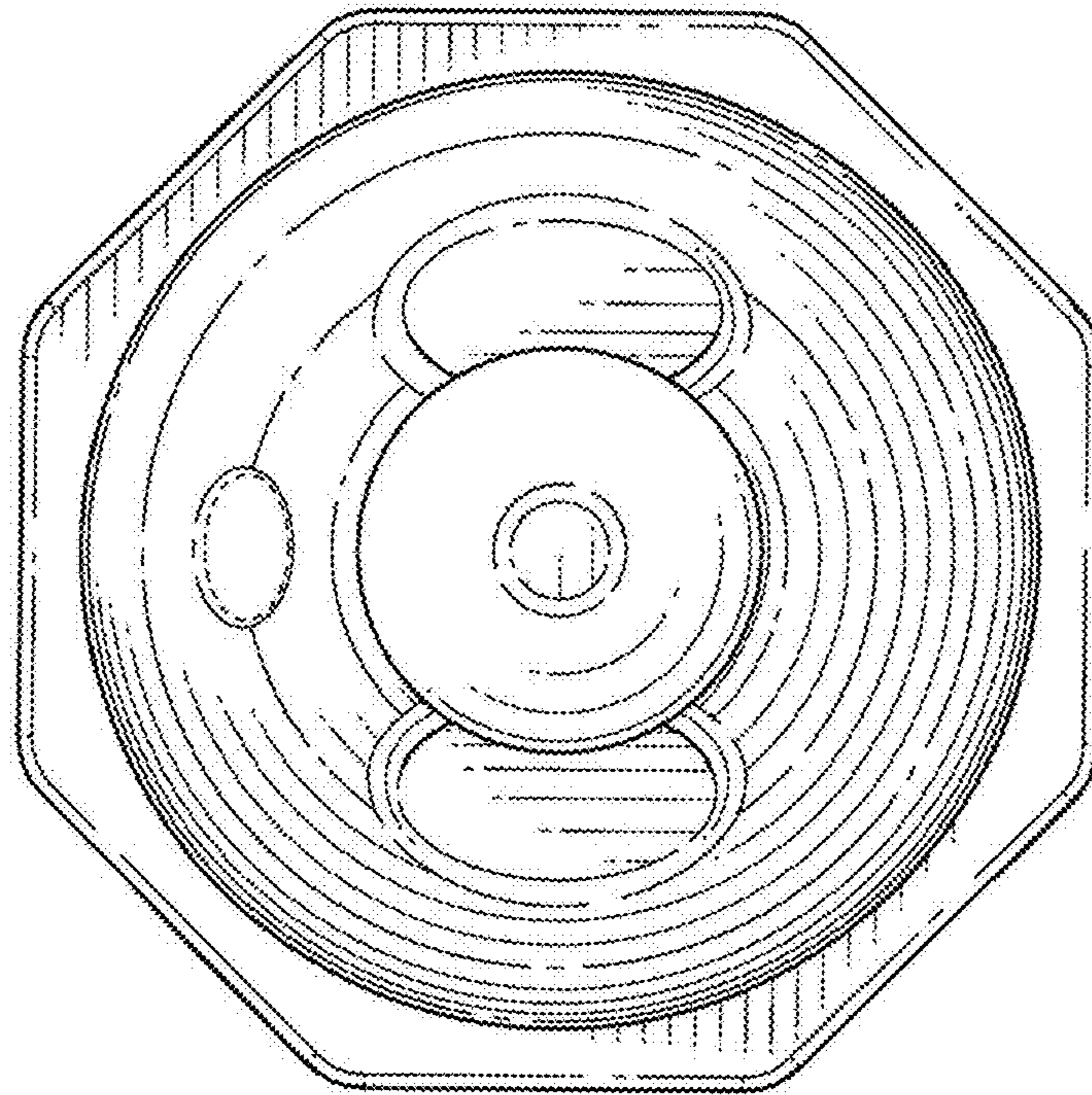


FIG. 6

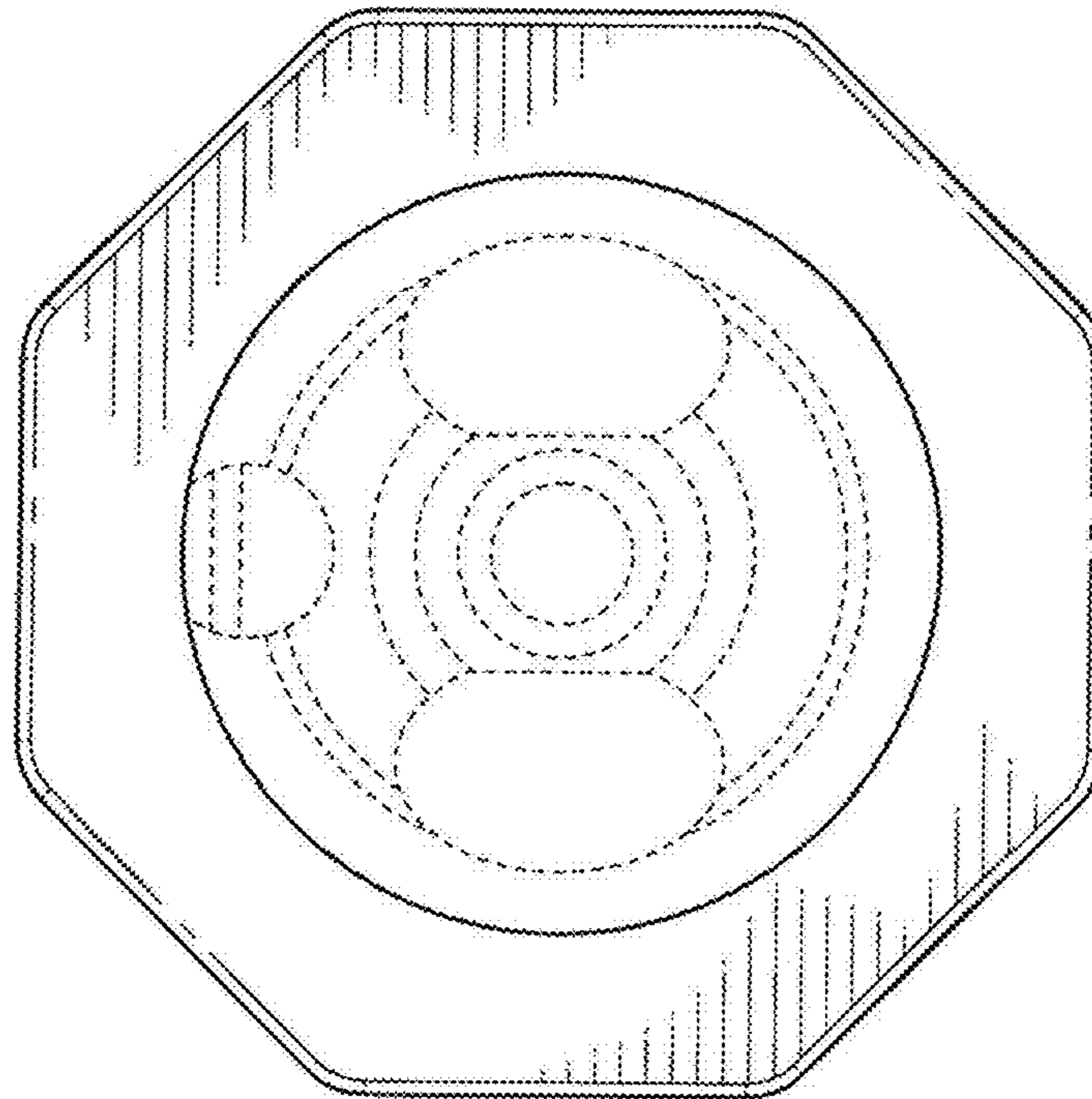


FIG. 7