



US00D861893S

(12) **United States Design Patent**
Cudworth

(10) **Patent No.:** **US D861,893 S**

(45) **Date of Patent:** **** Oct. 1, 2019**

(54) **NIPPLE FOR BABY BOTTLE**

(71) Applicant: **Jackel International, Ltd.**,
Cramlington, Northumberland (GB)

(72) Inventor: **Nicholas Cudworth**, Cramlington (GB)

(73) Assignee: **Jackel International, Ltd.**,
Cramlington, Northumberland (GB)

(**) Term: **15 Years**

(21) Appl. No.: **29/587,413**

(22) Filed: **Dec. 13, 2016**

(30) **Foreign Application Priority Data**

Jun. 14, 2016 (EM) 3190065-0001

Jun. 14, 2016 (EM) 3190065-0002

(51) **LOC (12) Cl.** **24-04**

(52) **U.S. Cl.**
USPC **D24/196**

(58) **Field of Classification Search**
USPC D24/115, 117, 193, 194, 195, 196, 197;
D30/160; D7/392.1; D9/436; D21/576,
D21/596, 604, 616, 619, 652

(Continued)

(56) **References Cited**

U.S. PATENT DOCUMENTS

1,714,241 A * 5/1929 Reilly A61J 11/045
215/11.1

D130,791 S * 12/1941 Porthouse et al. D24/196
(Continued)

FOREIGN PATENT DOCUMENTS

EP 2808006 A1 12/2014
GB 2490735 A 11/2012

(Continued)

OTHER PUBLICATIONS

“Tomme Tippee Ultra”. Found online Oct. 25, 2018 at lovedbyparents.com. Page dated Jan. 28, 2016. Retrieved from <http://lovedbyparents.com/tomme-tippee-ultra-a-baby-bottle-like-no-otherand-you-can-win-one/>.*

(Continued)

Primary Examiner — Kendra Leslie Hamilton

(74) *Attorney, Agent, or Firm* — Olson & Cepuritis, Ltd.

(57) **CLAIM**

The ornamental design for a nipple for baby bottle, as shown and described.

DESCRIPTION

FIG. 1 is a front perspective view of a first embodiment of a nipple for baby bottle showing my new design;

FIG. 2 is a front elevational view thereof;

FIG. 3 is a rear elevational view thereof;

FIG. 4 is a right side elevational view thereof; the left side elevational view being a mirror image thereof;

FIG. 5 is a top plan view thereof;

FIG. 6 is a bottom plan view thereof;

FIG. 7 is a right side cross-sectional view of the nipple for baby bottle of FIG. 1, taken in the direction of line 7-7' of FIG. 5;

FIG. 8 is a front perspective view of a second embodiment of a nipple for baby bottle showing my new design;

FIG. 9 is a front elevational view thereof;

FIG. 10 is a rear elevational view thereof;

FIG. 11 is a right side elevational view thereof;

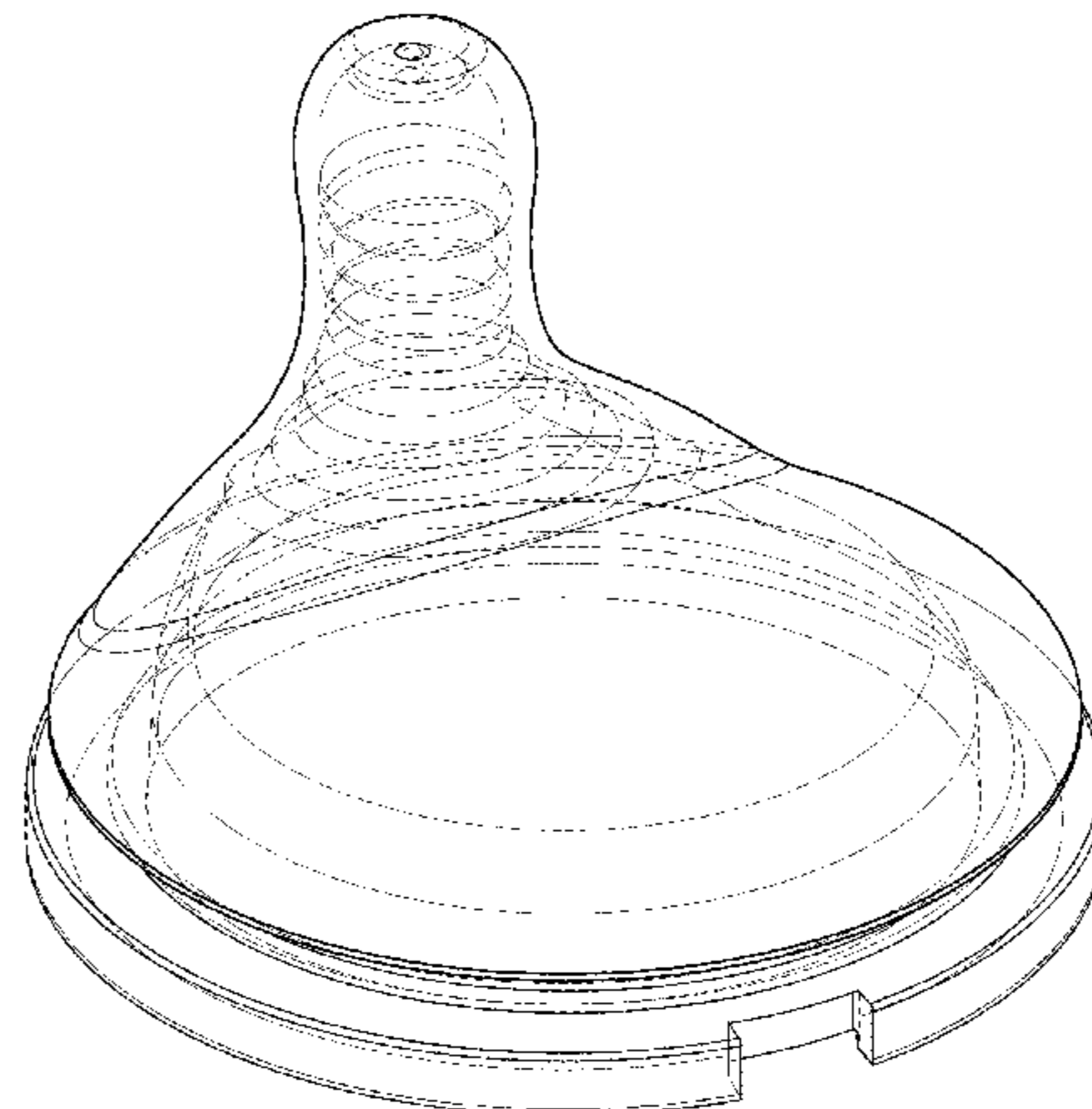
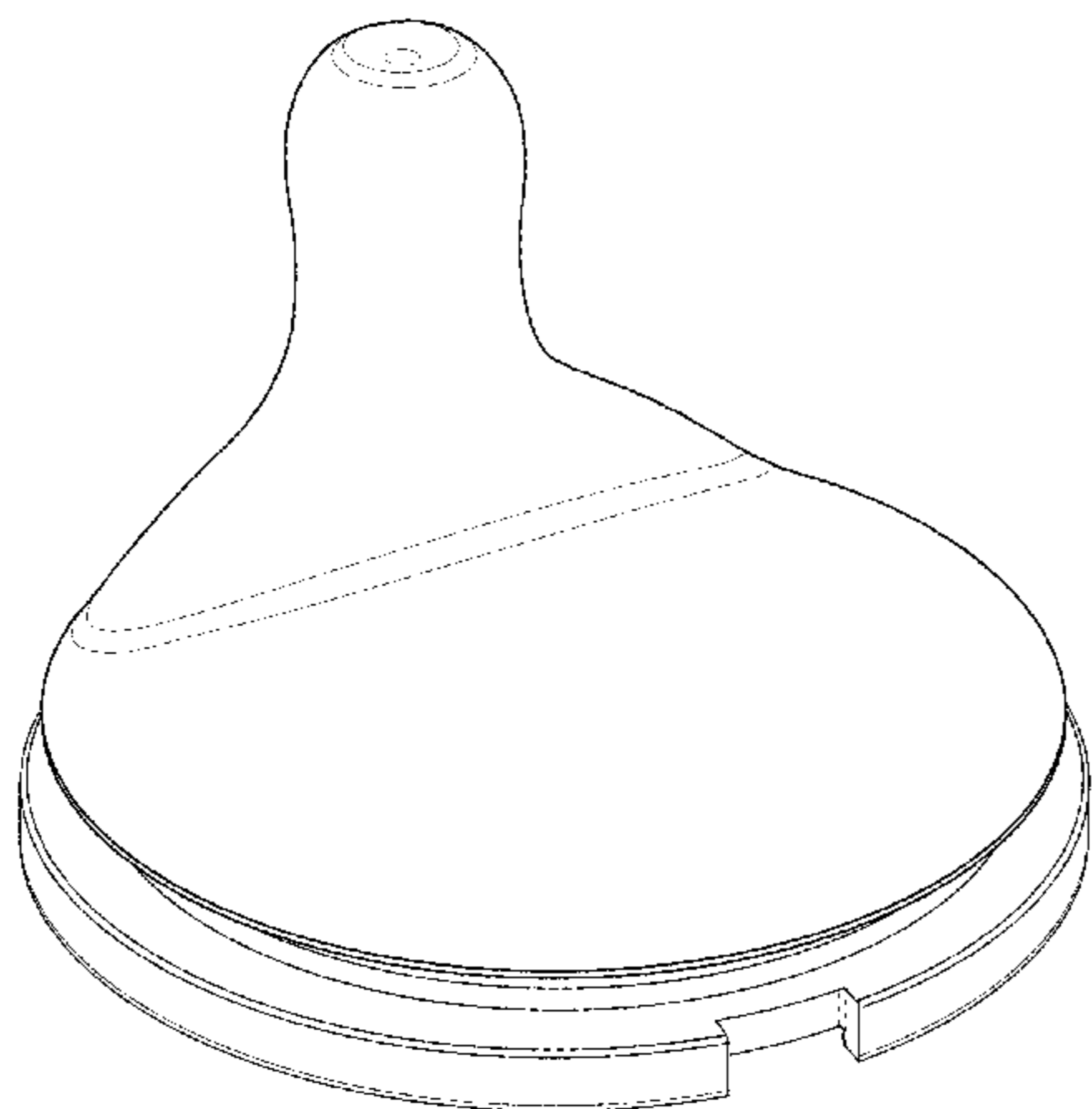
FIG. 12 is a top plan view thereof;

FIG. 13 is a bottom plan view thereof; and,

FIG. 14 is a right side cross-sectional view of the nipple for baby bottle of FIG. 8, taken in the direction of line 14-14' of FIG. 12.

The broken lines in the drawings depict portions of the nipple for baby bottle that form no part of the claimed design.

1 Claim, 14 Drawing Sheets



(58) **Field of Classification Search**

CPC A61J 11/00
 See application file for complete search history.

FOREIGN PATENT DOCUMENTS

NZ	524766	10/2004
WO	2006103379 A1	10/2006
WO	2017037425 A1	3/2017

(56) **References Cited**

U.S. PATENT DOCUMENTS

2,366,214	A *	1/1945	Ramaker	A61J 11/00	215/11.1
3,339,771	A *	9/1967	Ballin	A61J 9/008	215/11.6
4,613,050	A	9/1986	Atkin			
5,653,732	A *	8/1997	Sheehy	A61J 11/005	215/11.1
6,253,935	B1	7/2001	Fletcher			
6,883,672	B2 *	4/2005	Dunn	A61J 9/00	215/11.1
D504,725	S *	5/2005	Randolph	D24/196	
D602,596	S *	10/2009	Yamashita	D24/193	
D625,830	S *	10/2010	Py	A61J 9/00	D24/197
8,777,028	B2	7/2014	Sakulsacha			
D752,234	S *	3/2016	Moore	D24/194	
D766,451	S *	9/2016	Chan	D24/197	
9,452,109	B2 *	9/2016	Sheikh	A61J 9/001	
D823,474	S *	7/2018	Brown	D24/196	
2012/0305581	A1	12/2012	Dunn			

OTHER PUBLICATIONS

“Vital Baby Nurture 240ml Breast-Like Feeding Bottle”. Found online Oct. 25, 2018 at amazon.co.uk. Page dated May 18, 2012. Retrieved from https://www.amazon.co.uk/Vital-Baby-Nurture-Breast-Like-Feeding/dp/B0088Z6V6G/ref=sr_1_61_a_it?srs=1651519031&ie=UTF8&qid=1540490807&sr=8-61.*

“Nuby No Spill Super Spout”. Found online Dec. 29, 2017 at amazon.in. Page dated Jul. 16, 2013. Retrieved from https://www.amazon.in/Nuby-Pack-Spill-Super-Spout/dp/B00DYRXJBI/ref=sr_1_68?ie=UTF8&qid=1514564372&sr=8-68&keywords=nuby.*

“Expectrum: Herobility HeroBottle”. Found online Jun. 16, 2018 at mynewsdesk.com. Page dated Jun. 23, 2016. Retrieved from http://www.mynewsdesk.com/se/expectrum/images/nu-lanserar-foeretaget-herobility-nappflaskan-herobottle-582523.*

www.tommeetippee.co.uk/product/ultra-feeding-bottle, last accessed on May 17, 2017.

www.tommeetippee.co.uk/product/transition-sippee-trainer, last accessed on May 17, 2017.

Luv N' Care, Ltd. v. Jackel International Limited, No. 10-1891, State of Louisiana, Parish of Ouachita, Fourth District Court.

* cited by examiner

FIG. 1

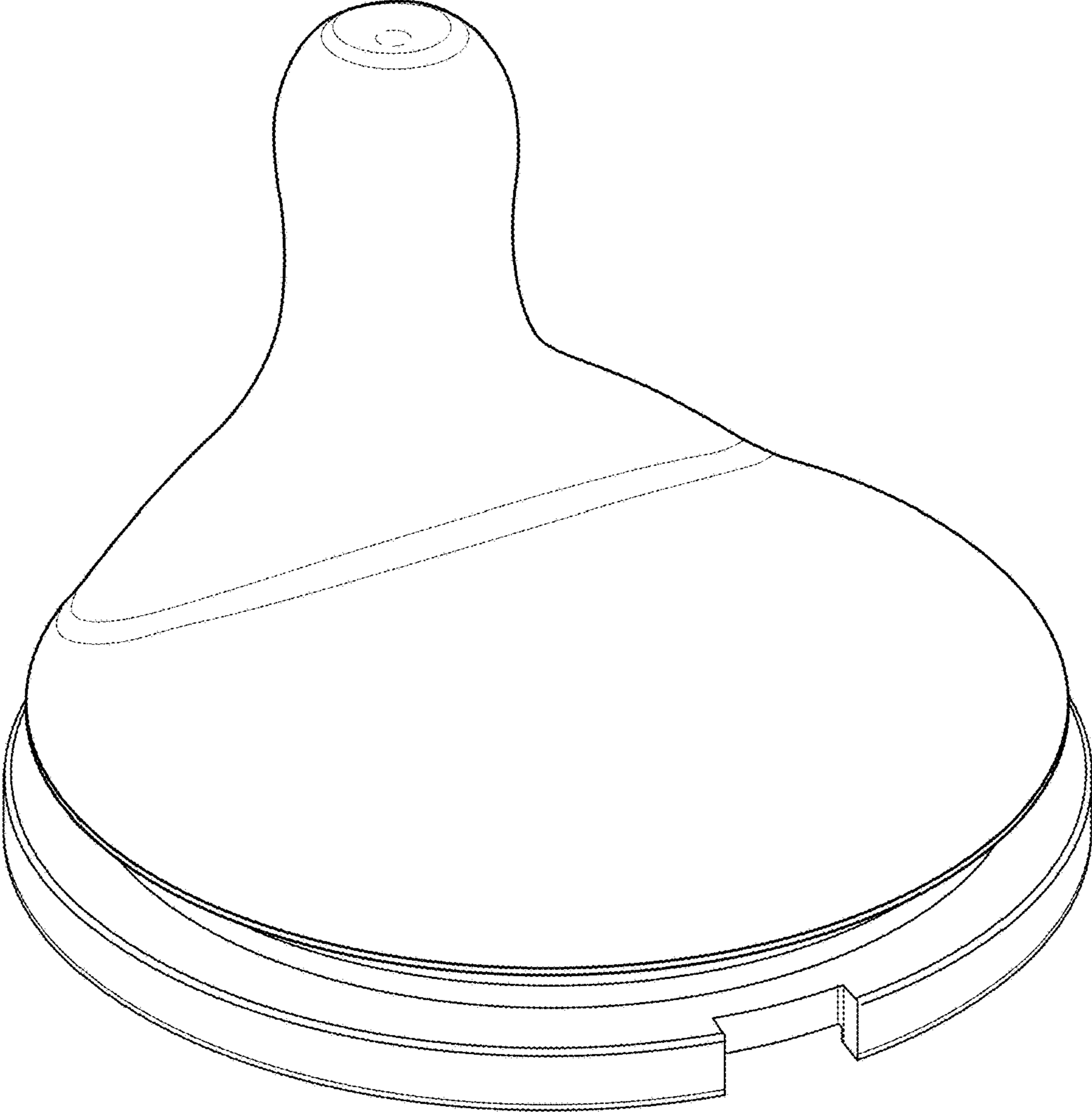


FIG. 2

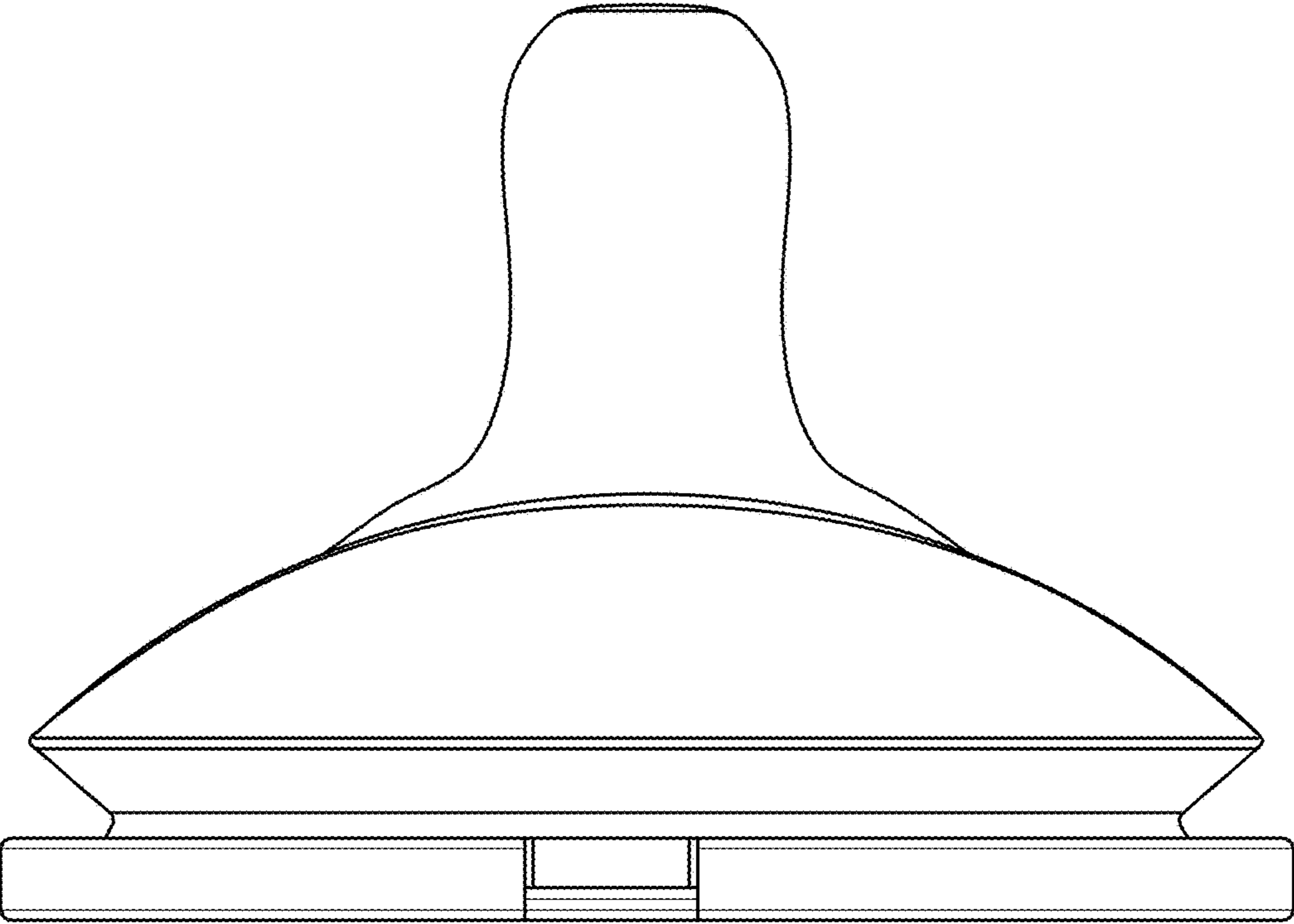


FIG. 3

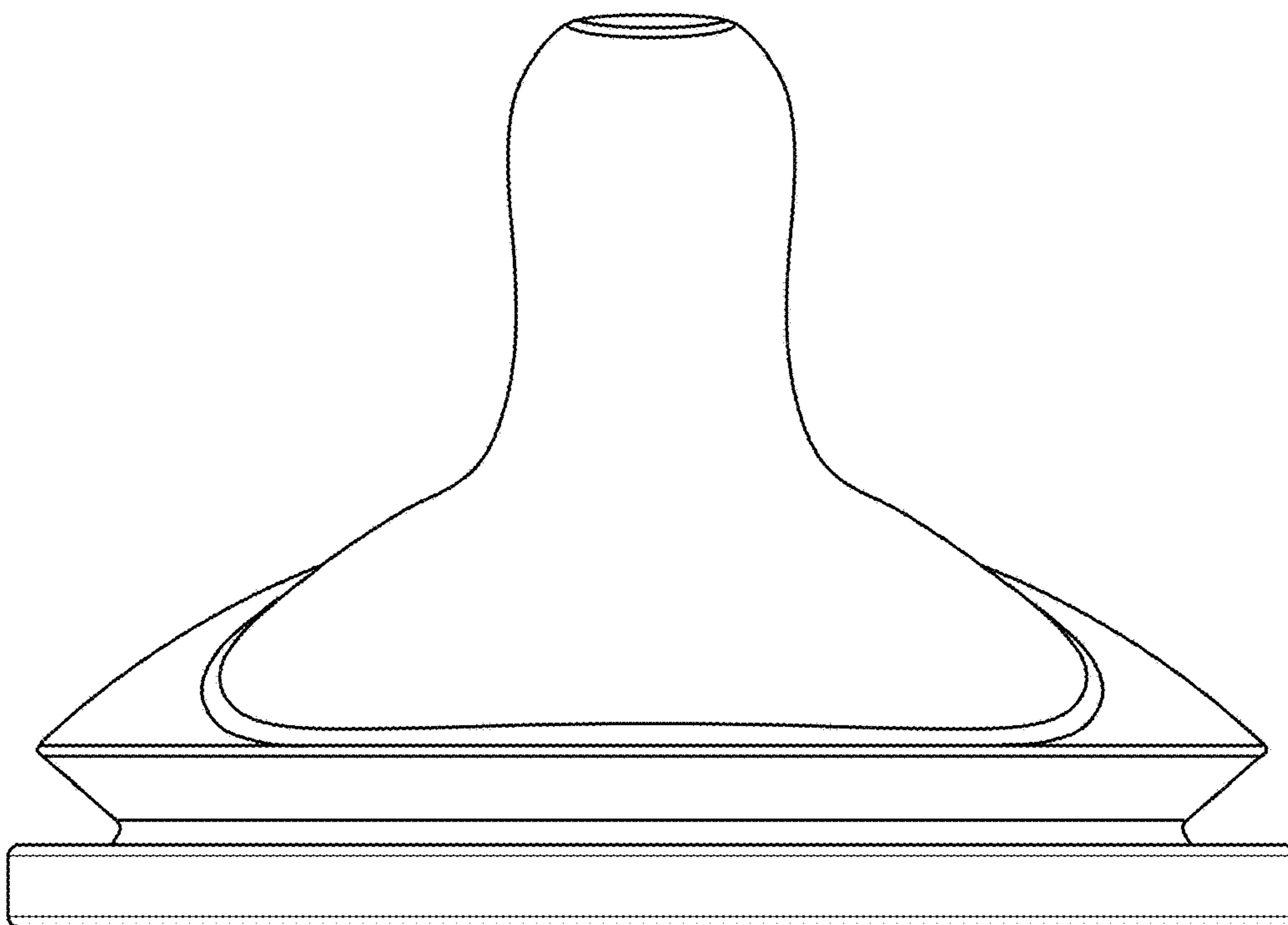


FIG. 4

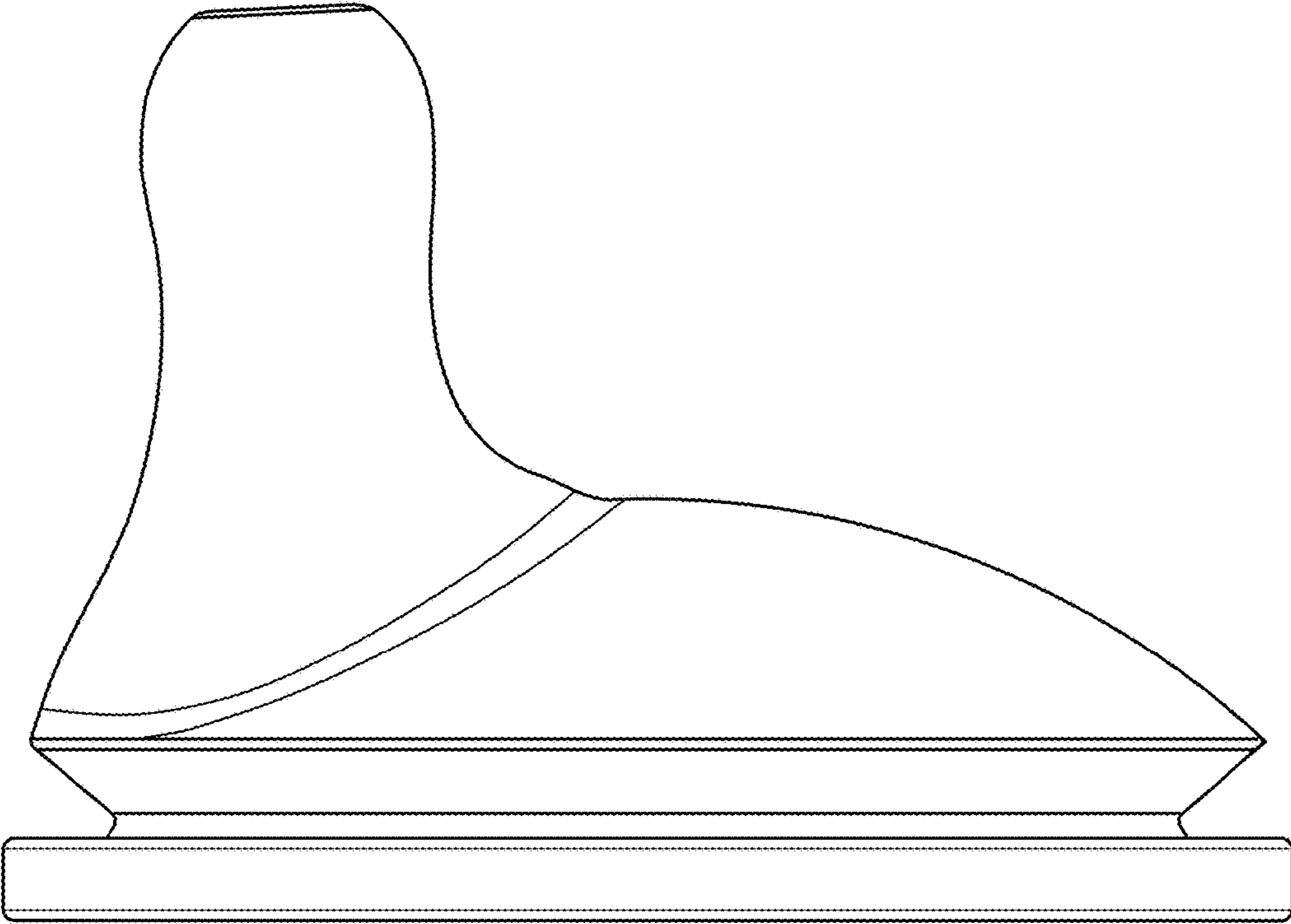


FIG. 5

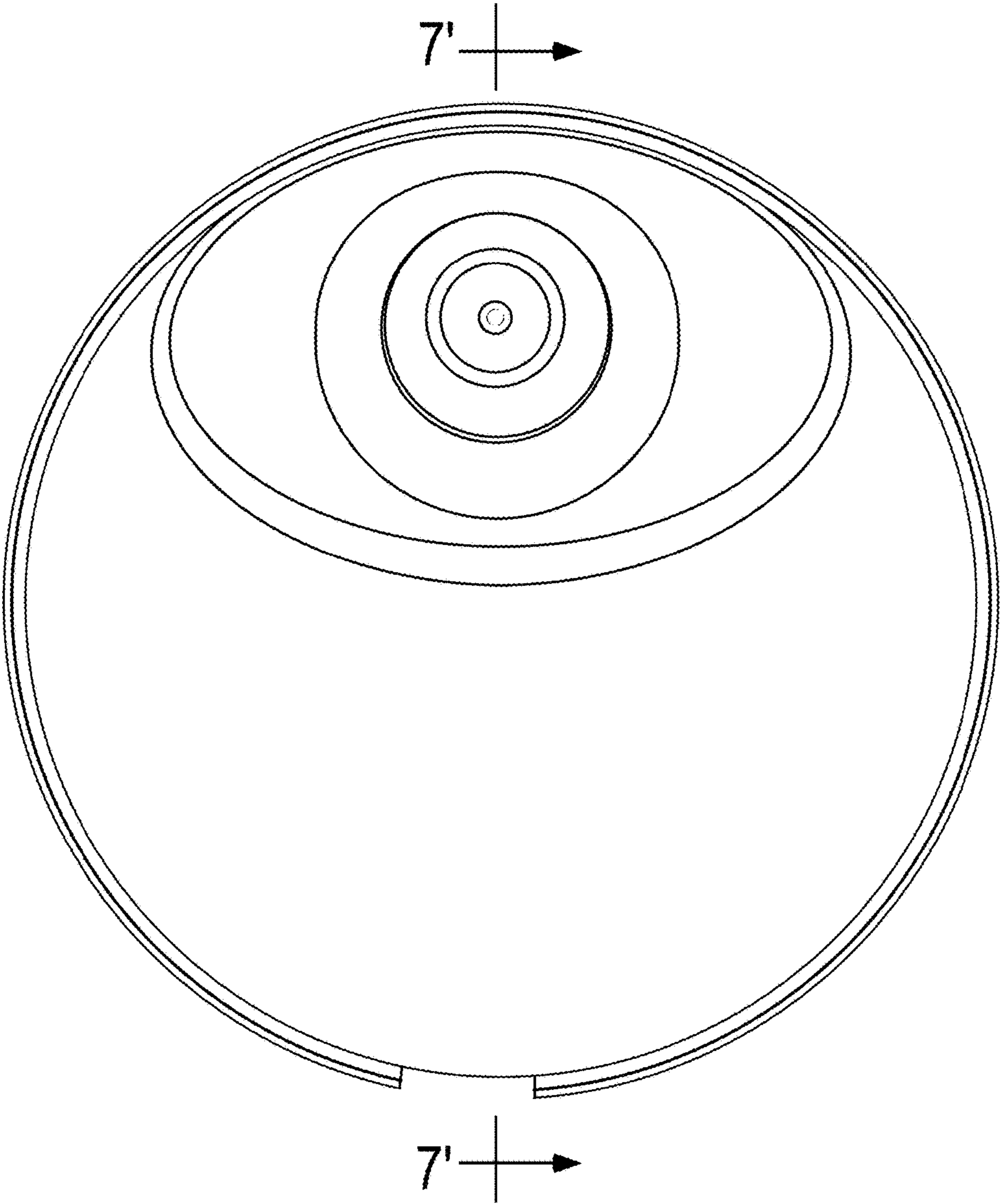


FIG. 6

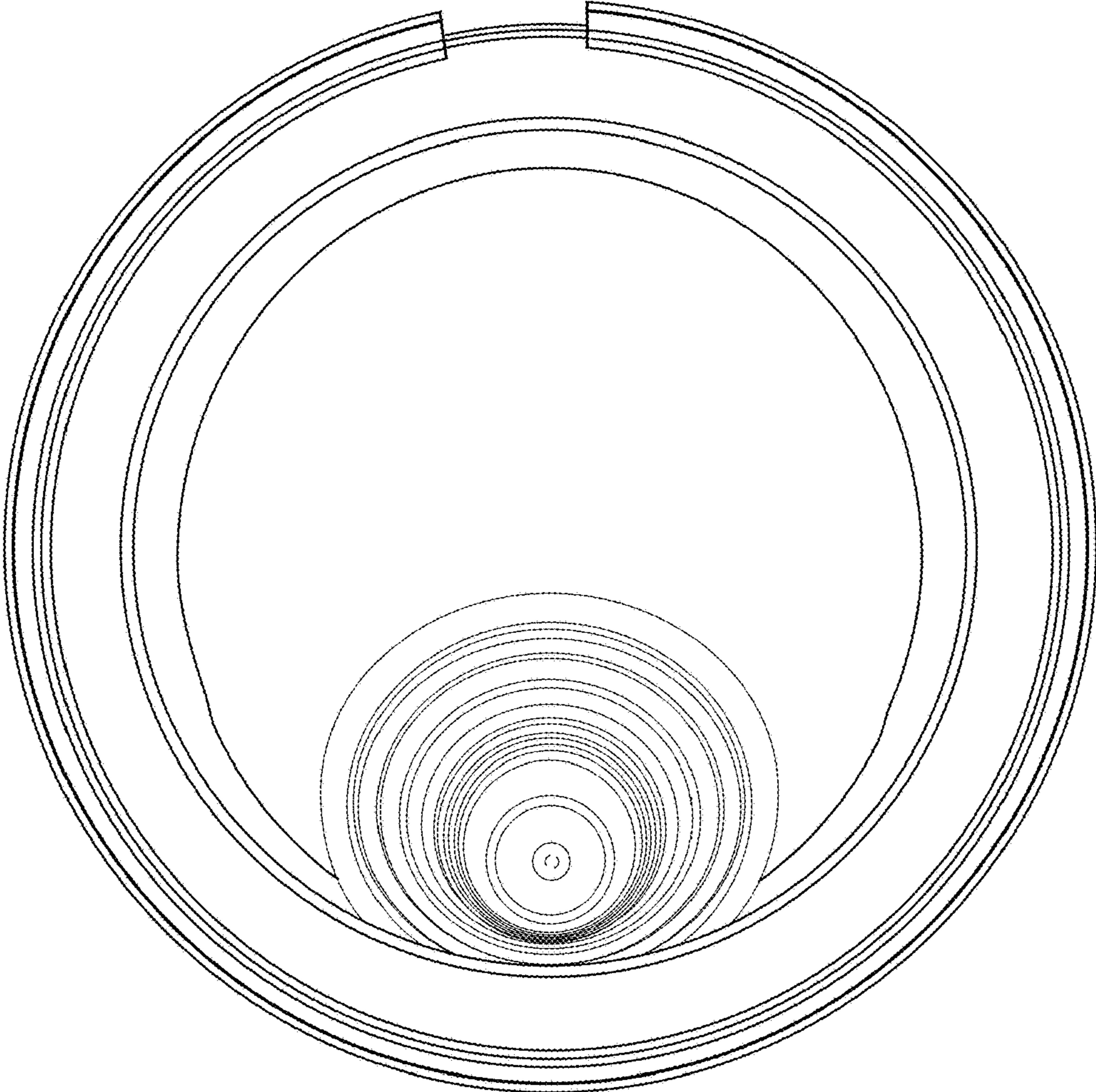


FIG. 7

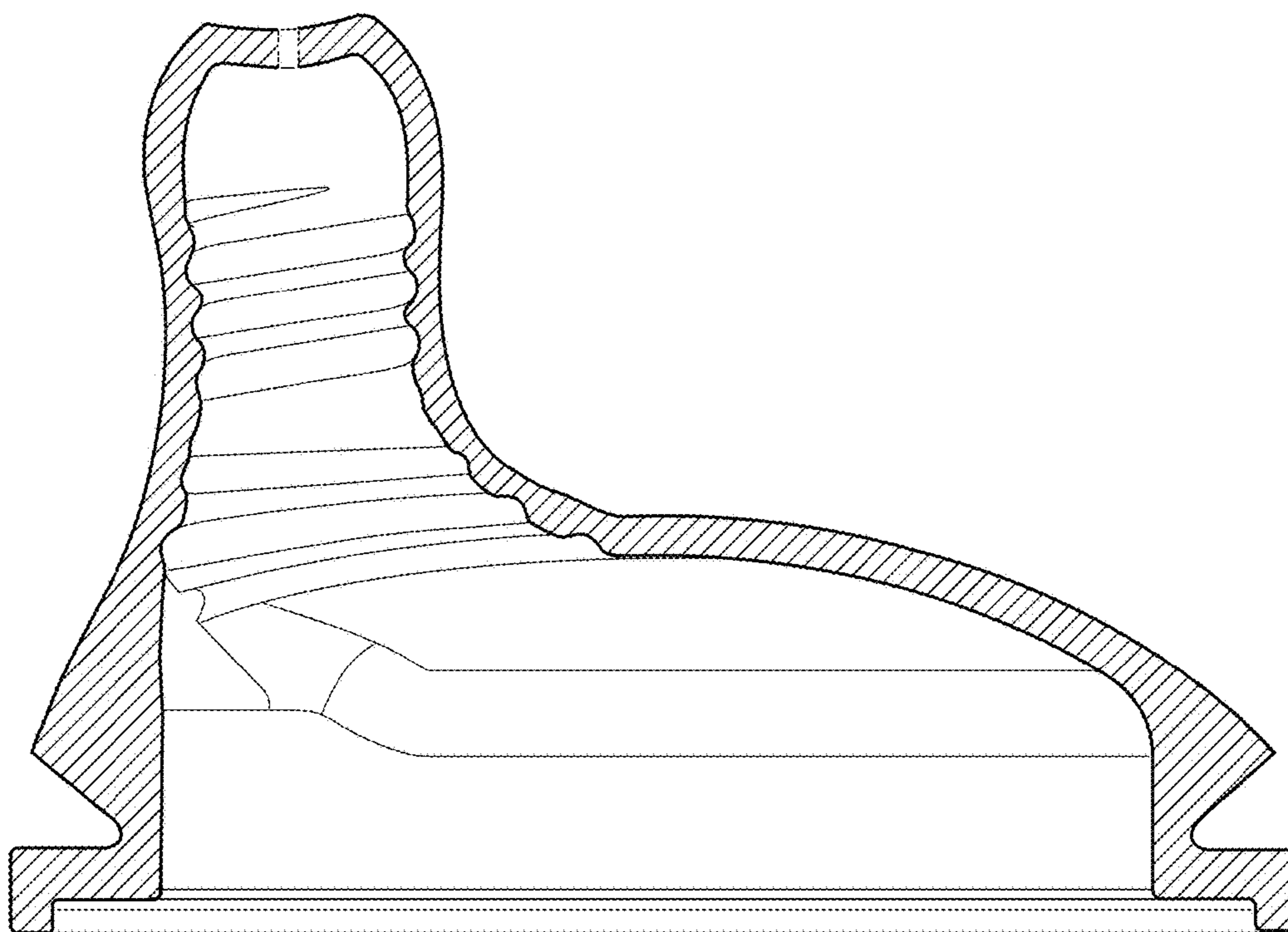


FIG. 8

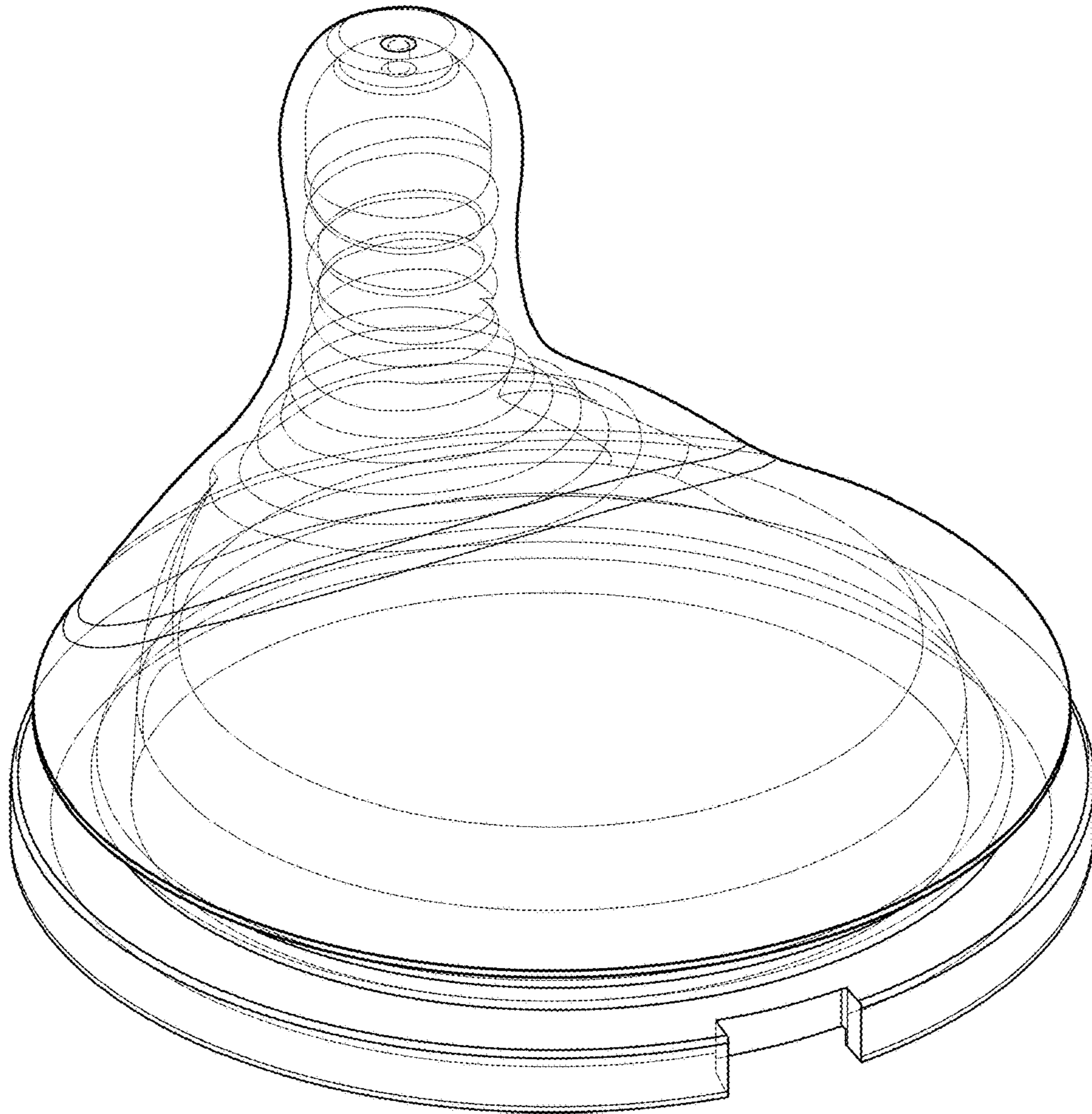


FIG. 9

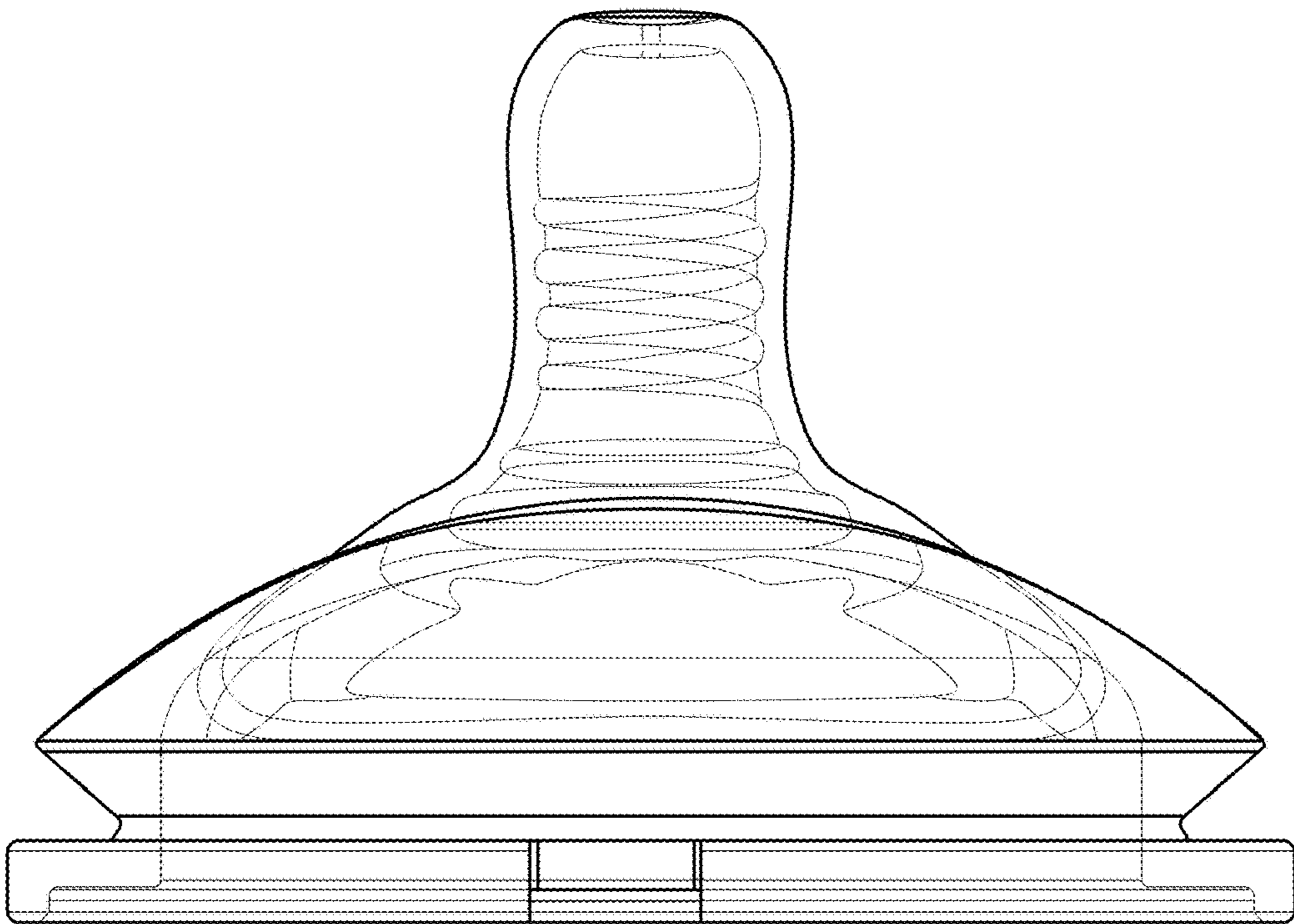


FIG. 10

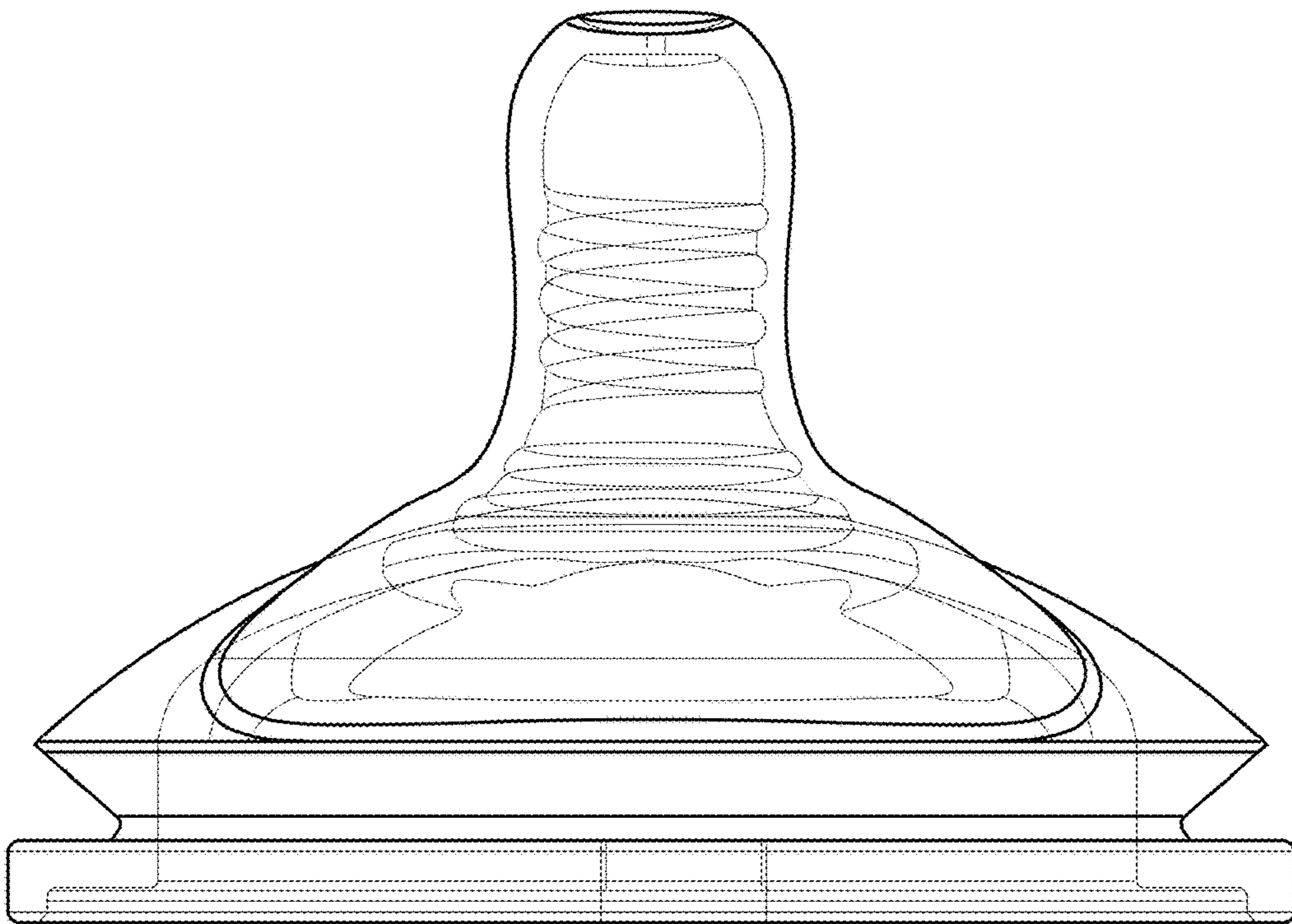


FIG. 11

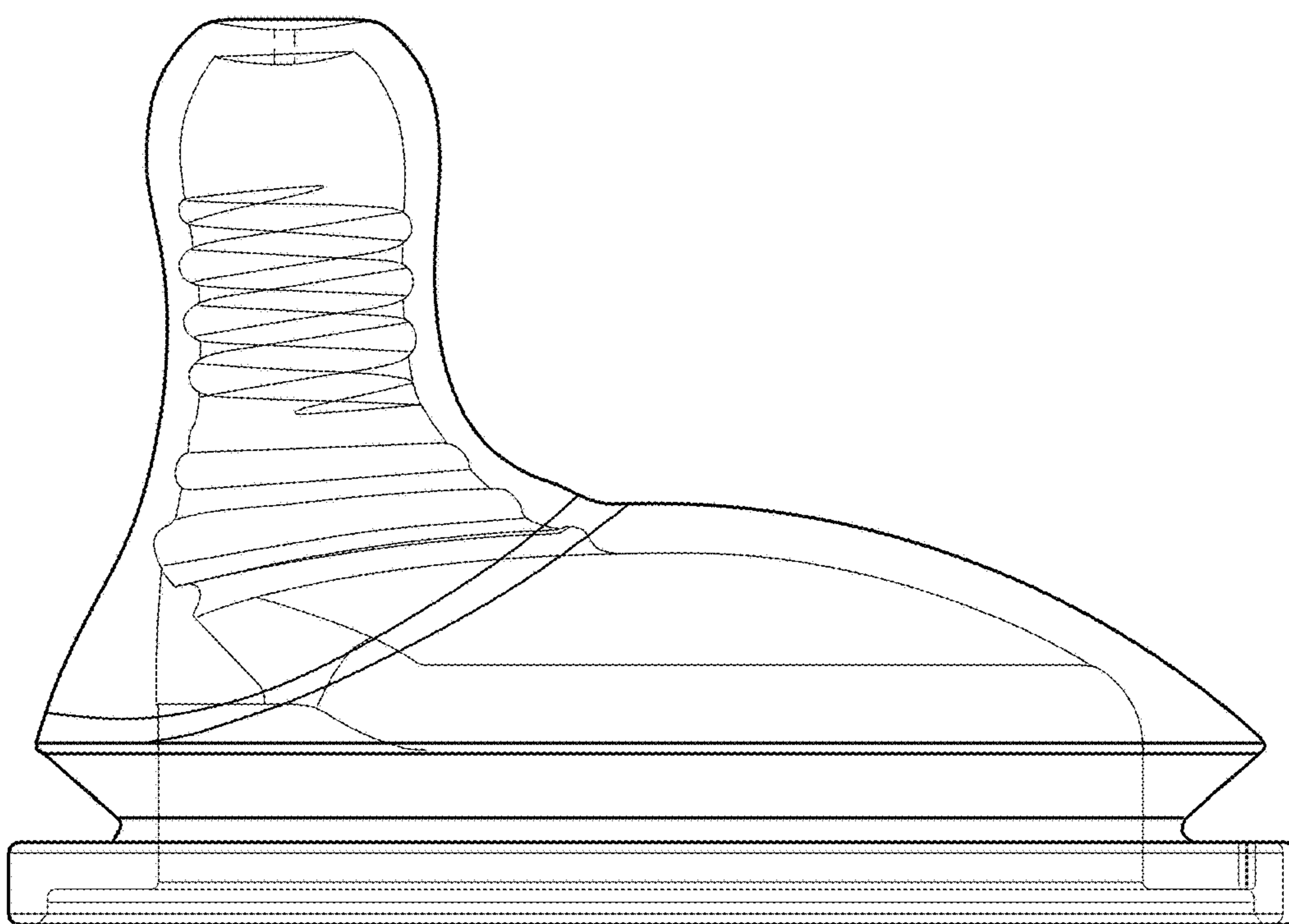
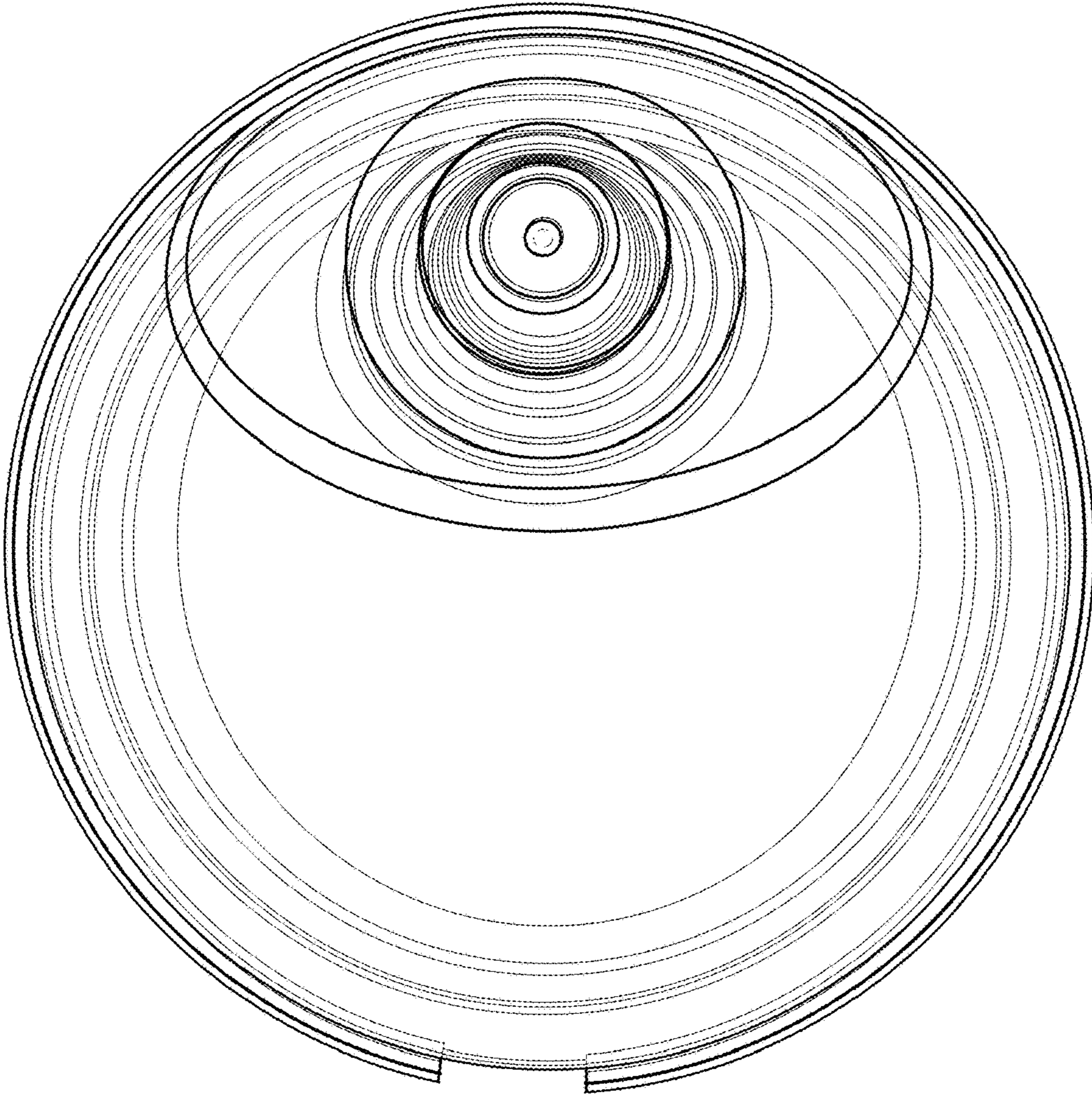


FIG. 12

14' →



14' →

FIG. 13

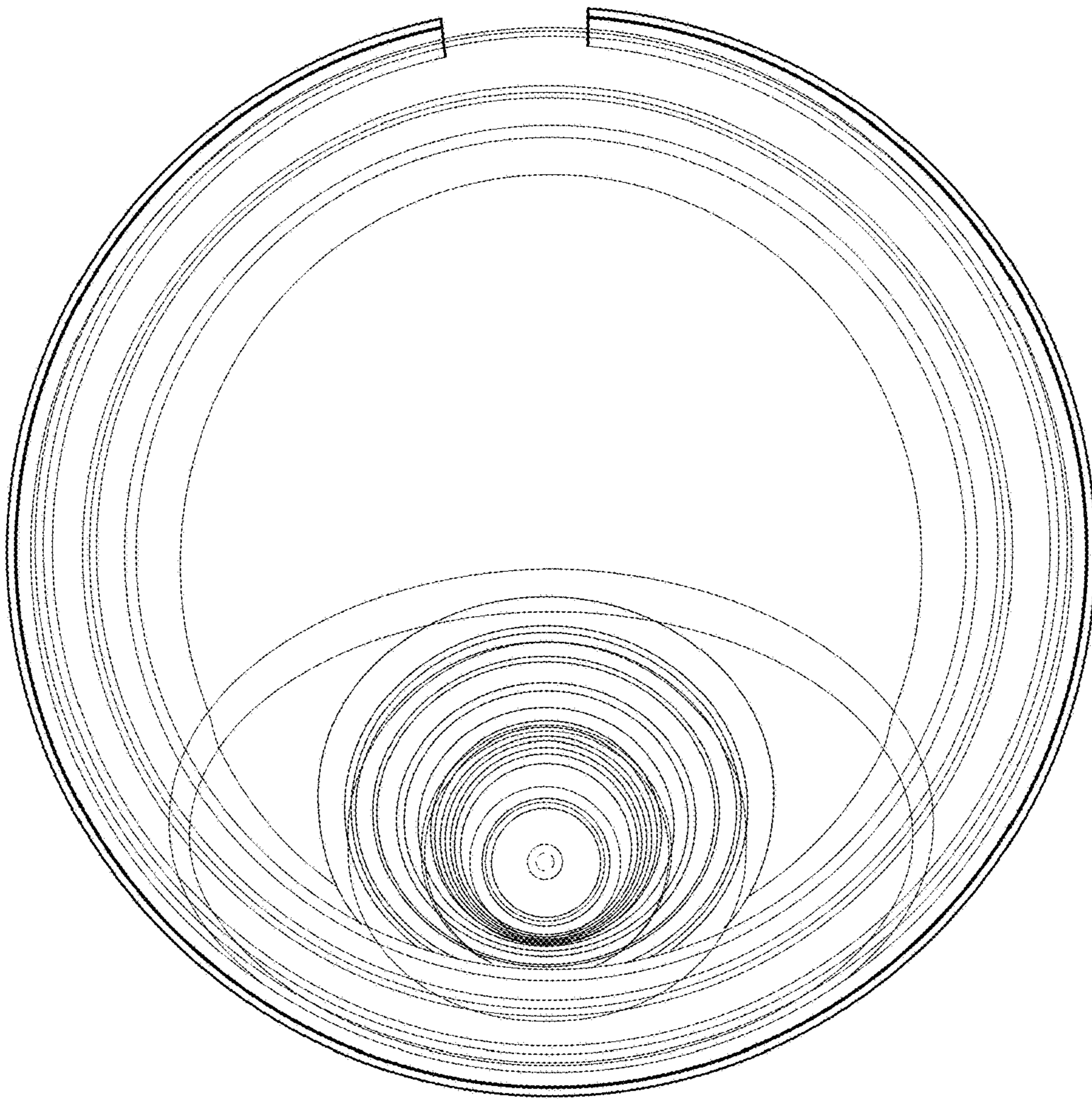


FIG. 14

