

US00D861888S

(12) **United States Design Patent** (10) **Patent No.:** **US D861,888 S**  
**Luntz et al.** (45) **Date of Patent:** **\*\* Oct. 1, 2019**

(54) **TEETHER**  
(71) Applicants: **Dean Luntz**, Boca Raton, FL (US);  
**Jessica Luntz**, Boca Raton, FL (US)  
(72) Inventors: **Dean Luntz**, Boca Raton, FL (US);  
**Jessica Luntz**, Boca Raton, FL (US)  
(73) Assignee: **BABBALA LLC**, Boca Raton, FL (US)  
(\*\*) Term: **15 Years**  
(21) Appl. No.: **29/683,264**  
(22) Filed: **Mar. 12, 2019**

**Related U.S. Application Data**

(60) Division of application No. 29/614,925, filed on Aug. 24, 2017, which is a continuation-in-part of application No. 29/574,220, filed on Aug. 12, 2016, now Pat. No. Des. 817,505.

(51) **LOC (12) Cl.** ..... **24-04**  
(52) **U.S. Cl.**  
USPC ..... **D24/194**

(58) **Field of Classification Search**  
USPC ..... D24/193, 194, 195, 214; D1/101, 104,  
D1/106, 113, 115, 125, 199; D21/483,  
D21/490, 496, 576, 588, 603, 609, 628,  
D21/650, 684; D30/160; 606/235  
CPC ..... A61J 17/00; A61J 17/02  
See application file for complete search history.

(56) **References Cited**

**U.S. PATENT DOCUMENTS**

4,124,135 A \* 11/1978 Weder ..... B65D 1/00  
220/4.21  
D276,705 S \* 12/1984 Oliveri ..... D10/40

D331,783 S \* 12/1992 Rodriguez ..... D24/194  
D391,643 S \* 3/1998 Fletcher ..... D24/195  
D608,826 S \* 1/2010 Laguatan ..... D19/182  
D628,301 S \* 11/2010 Olshansky ..... D24/194  
D631,204 S \* 1/2011 Dubitsky ..... D28/82  
8,651,308 B1 \* 2/2014 Sung ..... A45D 40/00  
206/457  
D775,426 S \* 12/2016 Huff ..... D28/87  
D787,842 S \* 5/2017 Lenton ..... D6/334  
D814,542 S \* 4/2018 Iijima ..... D15/199  
D817,505 S \* 5/2018 Luntz ..... D24/195  
2003/0046798 A1 \* 3/2003 Valles Camps ..... A61G 17/08  
27/1

\* cited by examiner

*Primary Examiner* — Kendra Leslie Hamilton  
(74) *Attorney, Agent, or Firm* — Dunlap Bennett & Ludwig PLLC

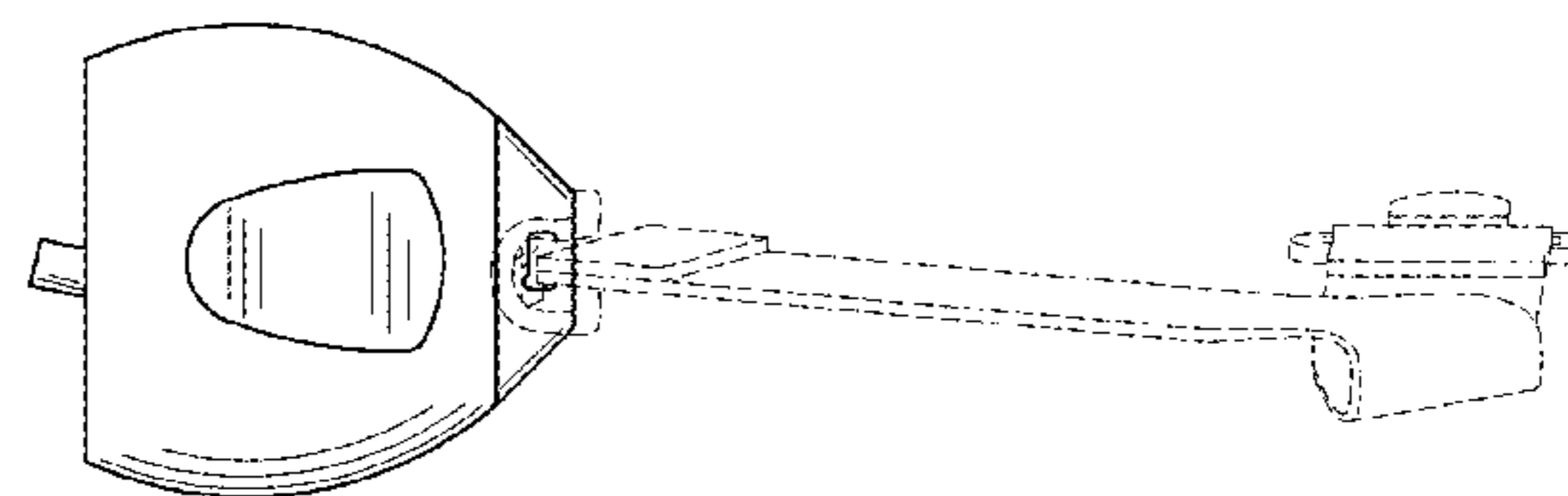
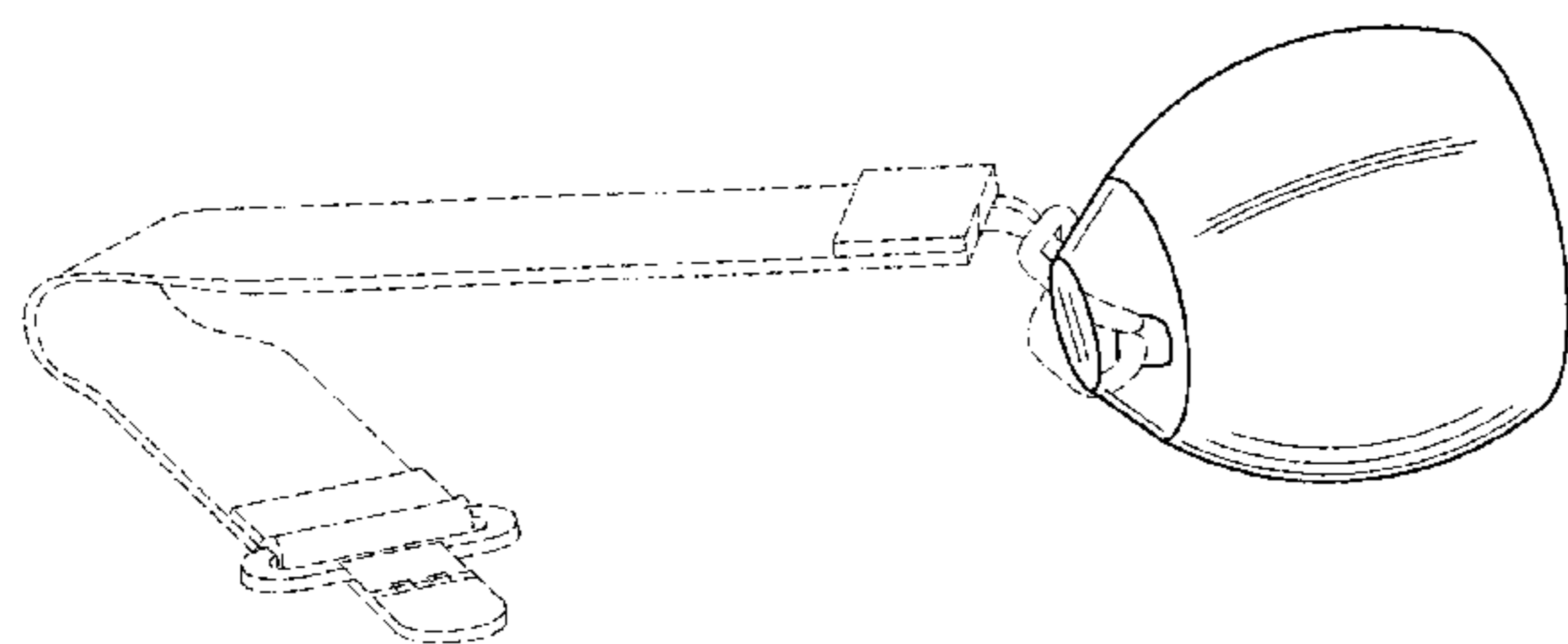
(57) **CLAIM**

The ornamental design for a teether, as shown and described.

**DESCRIPTION**

FIG. 1 is a perspective view of a teether;  
FIG. 2 is a front elevation view thereof;  
FIG. 3 is a rear elevation view thereof;  
FIG. 4 is a left side elevation view thereof;  
FIG. 5 is a top plan view thereof;  
FIG. 6 is a right side elevation thereof; and,  
FIG. 7 is a bottom plan view thereof.  
The broken lines shown in the drawings illustrate portions of the teether that form no part of the claimed design.

**1 Claim, 3 Drawing Sheets**



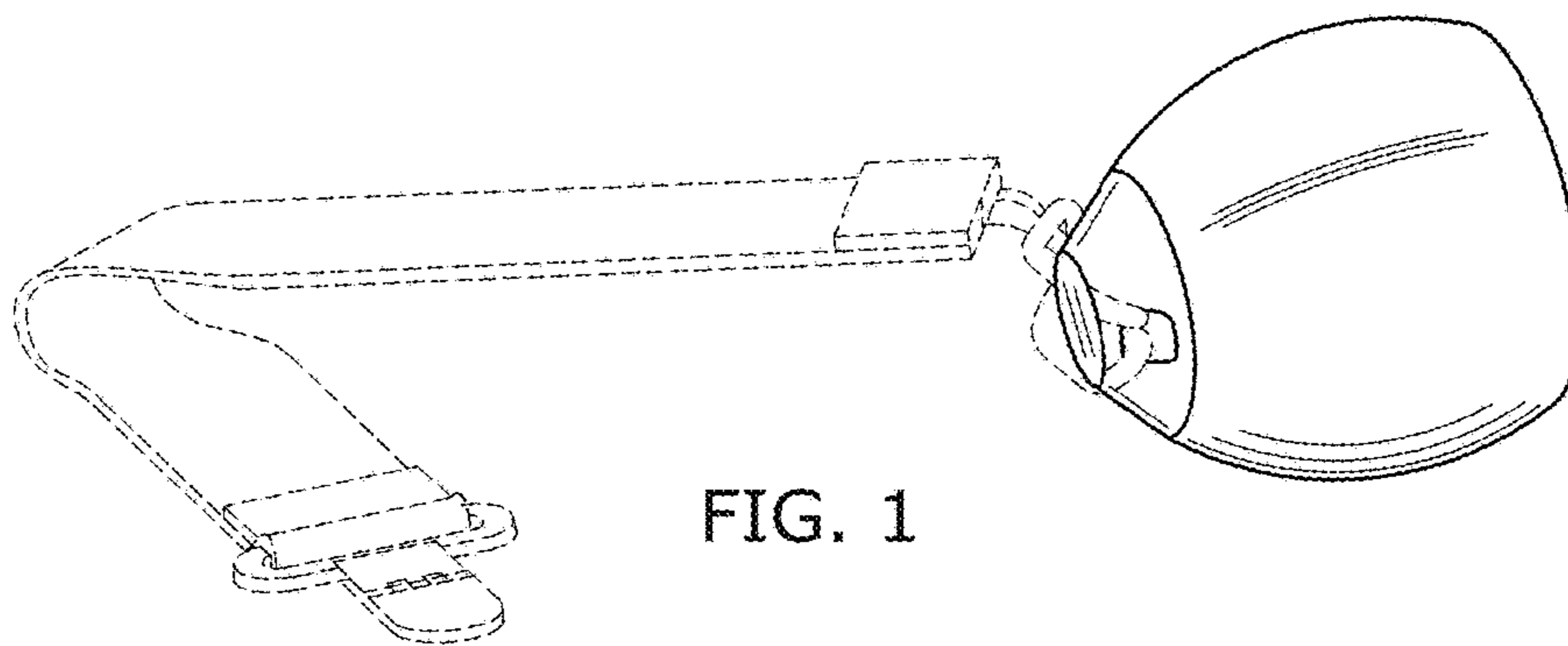


FIG. 1

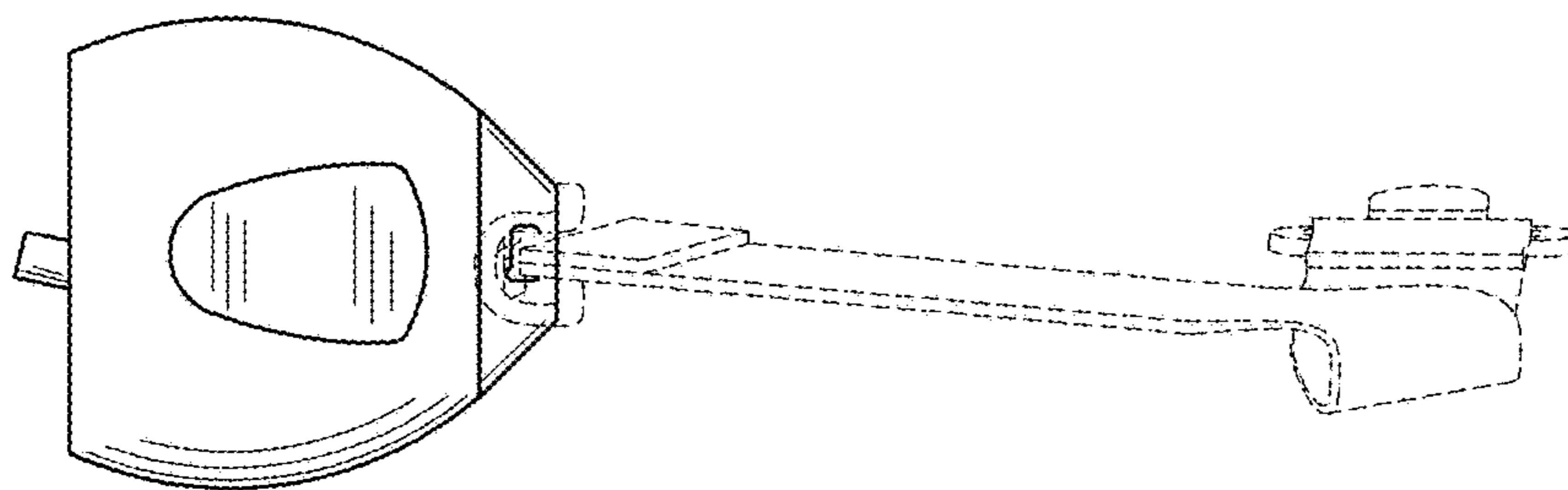


FIG. 2

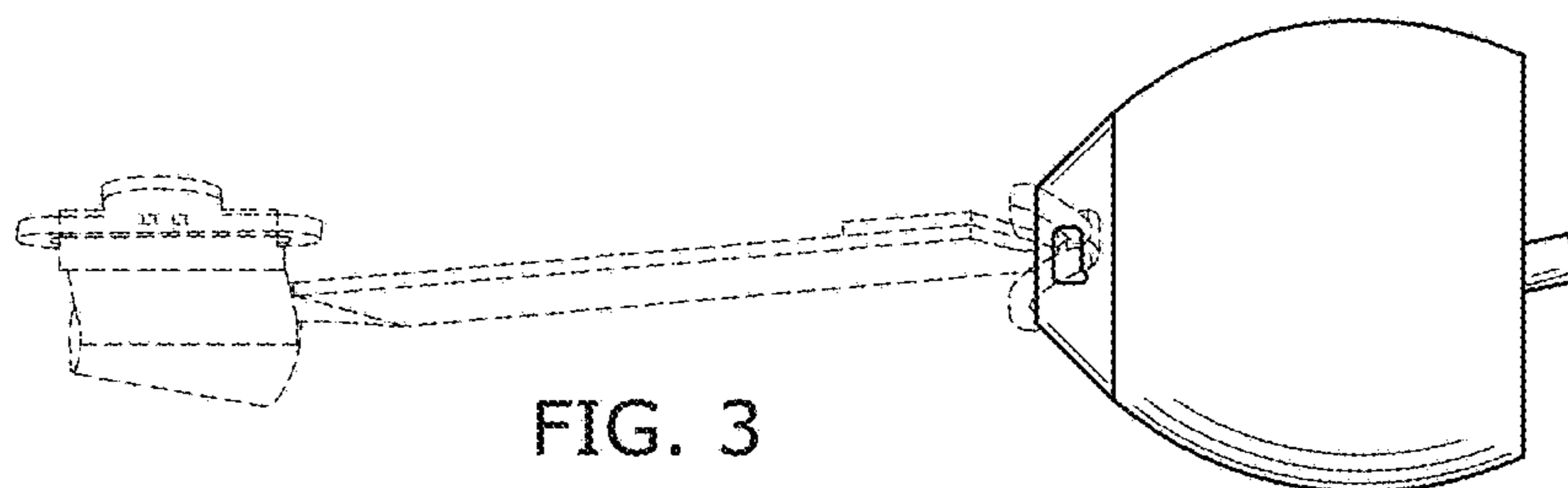


FIG. 3

