



US00D861887S

(12) **United States Design Patent**
Luntz et al.

(10) **Patent No.:** **US D861,887 S**

(45) **Date of Patent:** **** Oct. 1, 2019**

(54) **TEETHER**

(71) Applicants: **Dean Luntz**, Boca Raton, FL (US);
Jessica Luntz, Boca Raton, FL (US)

(72) Inventors: **Dean Luntz**, Boca Raton, FL (US);
Jessica Luntz, Boca Raton, FL (US)

(73) Assignee: **BABBALA LLC**, Boca Raton, FL (US)

(**) Term: **15 Years**

(21) Appl. No.: **29/683,259**

(22) Filed: **Mar. 12, 2019**

Related U.S. Application Data

(60) Division of application No. 29/614,925, filed on Aug. 24, 2017, which is a continuation-in-part of application No. 29/574,220, filed on Aug. 12, 2016, now Pat. No. Des. 817,505.

(51) **LOC (12) Cl.** **24-04**

(52) **U.S. Cl.**
USPC **D24/194**

(58) **Field of Classification Search**
USPC D24/193, 194, 195, 214; D1/101, 104, D1/106, 113, 115, 125, 199; D21/483, D21/490, 496, 576, 588, 603, 609, 628, D21/650, 684; D30/160; 606/235
CPC A61J 17/00; A61J 17/02
See application file for complete search history.

(56) **References Cited**

U.S. PATENT DOCUMENTS

4,124,135 A * 11/1978 Weder B65D 1/00
220/4.21
D331,783 S * 12/1992 Rodriguez D24/194

D391,643 S * 3/1998 Fletcher D24/195
D608,826 S * 1/2010 Laguatan D19/182
D631,204 S * 1/2011 Dubitsky D9/519
D651,863 S * 1/2012 Ehrenhaus D7/628
8,651,308 B1 * 2/2014 Sung A45D 40/00
206/457
D775,426 S * 12/2016 Huff D28/87
D787,842 S * 5/2017 Lenton D6/334
D797,829 S * 9/2017 Lv D14/154
D814,542 S * 4/2018 Iijima D15/199
D817,505 S * 5/2018 Luntz D24/195
2003/0046798 A1 * 3/2003 Valles Camps A61G 17/08
27/1

* cited by examiner

Primary Examiner — Kendra Leslie Hamilton
(74) *Attorney, Agent, or Firm* — Dunlap Bennett & Ludwig PLLC

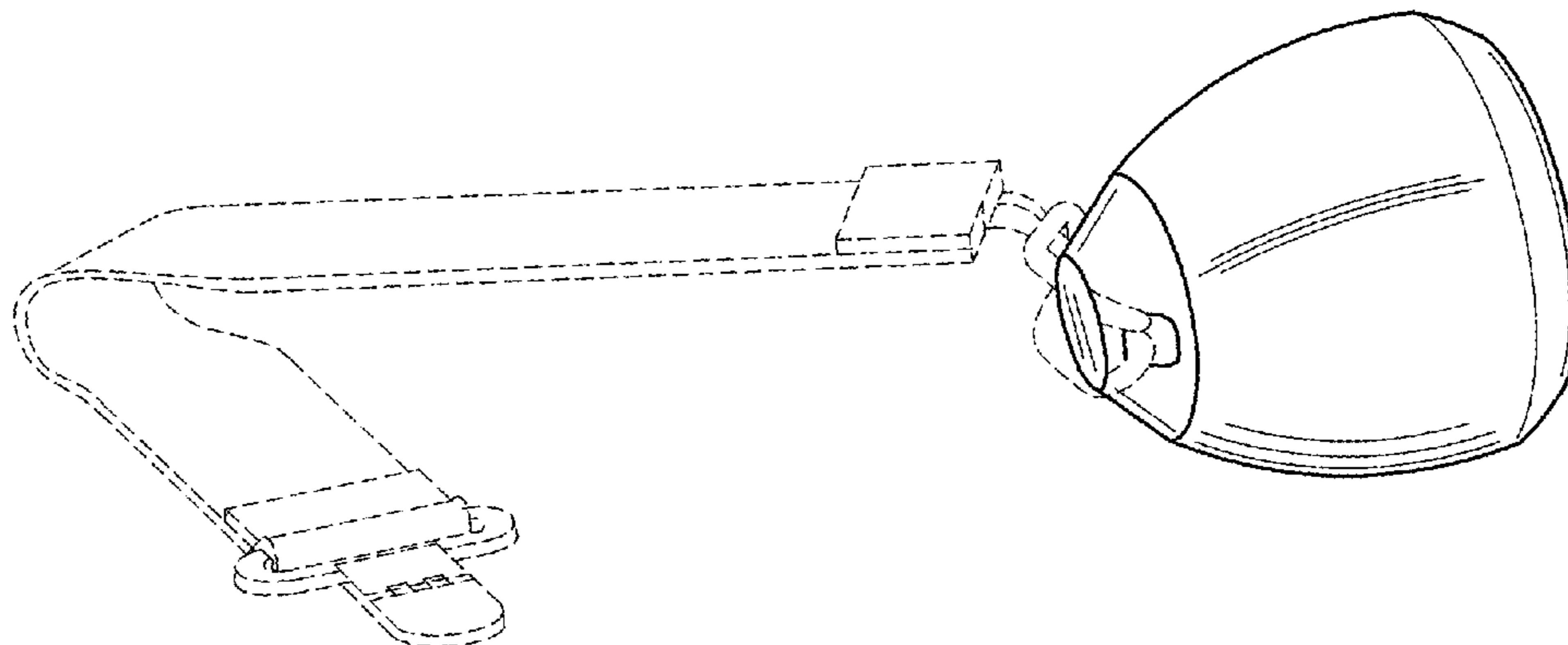
(57) **CLAIM**

The ornamental design for a teether, as shown and described.

DESCRIPTION

FIG. 1 is a perspective view of a teether;
FIG. 2 is a front elevation view thereof;
FIG. 3 is a rear elevation view thereof;
FIG. 4 is a left side elevation view thereof;
FIG. 5 is a top plan view thereof;
FIG. 6 is a right side elevation thereof; and,
FIG. 7 is a bottom plan view thereof.
The broken lines shown in the drawings illustrate portions of the teether that form no part of the claimed design.

1 Claim, 3 Drawing Sheets



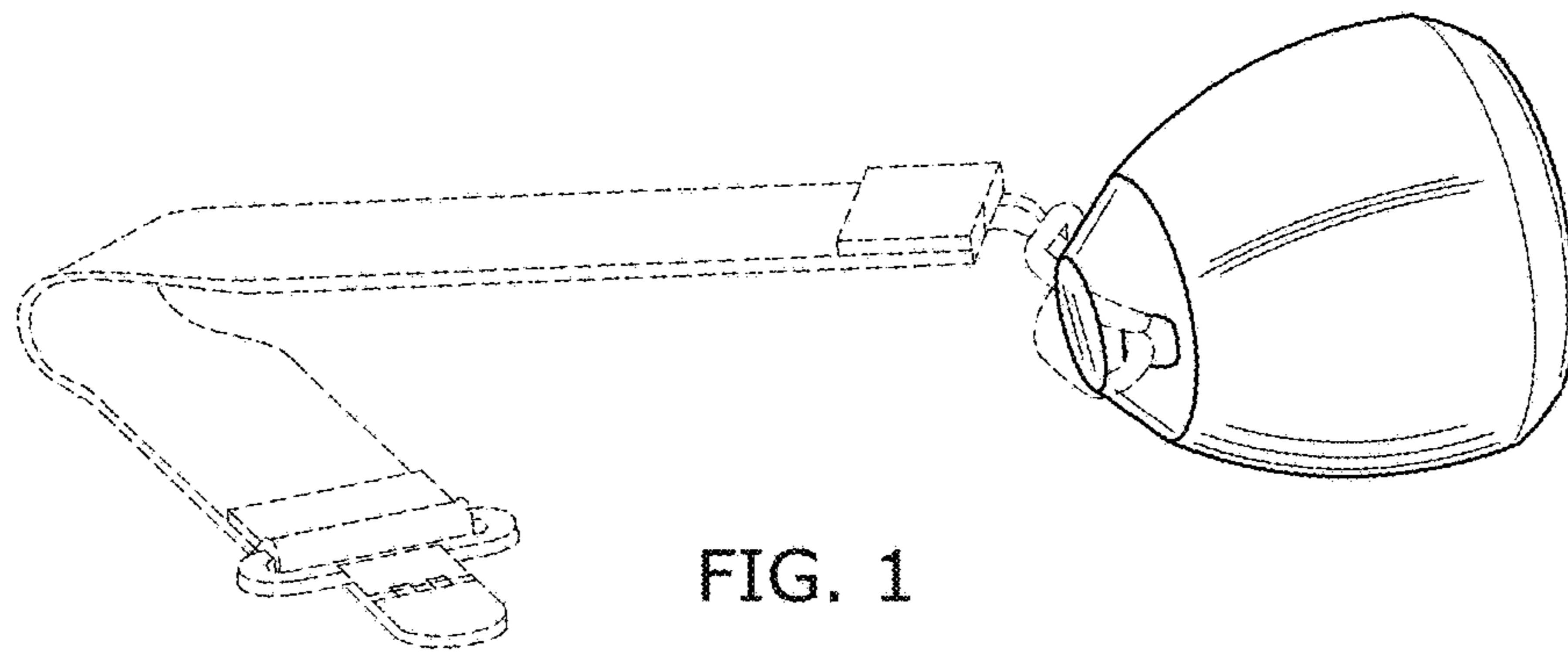


FIG. 1

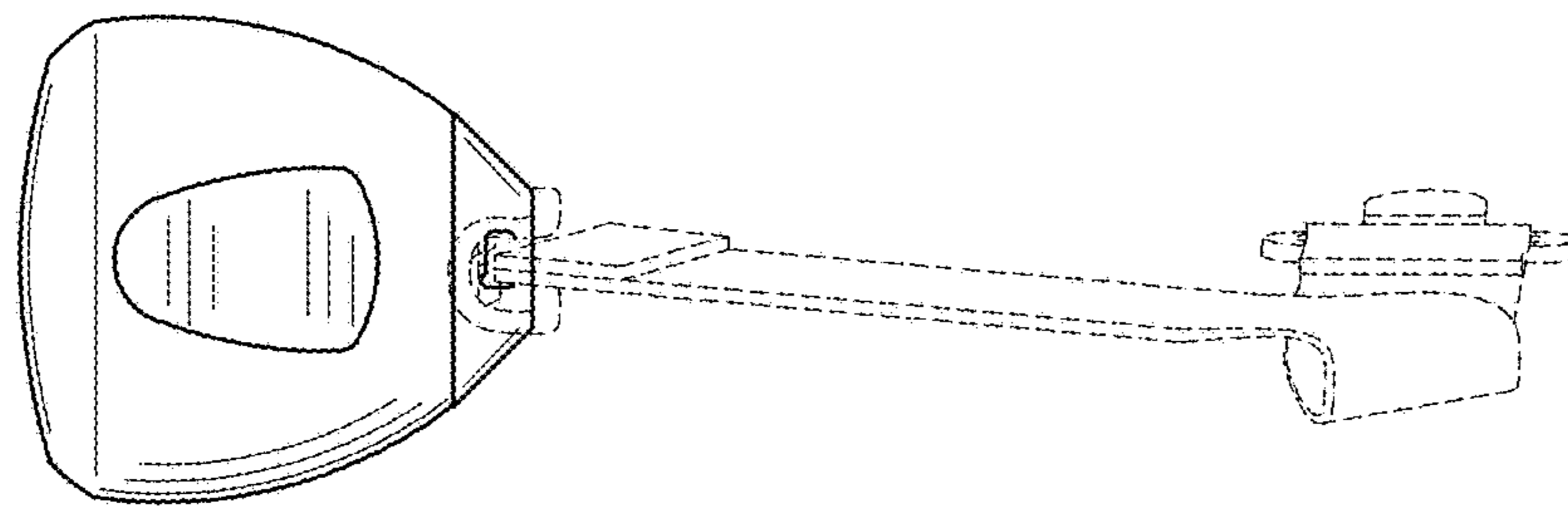


FIG. 2

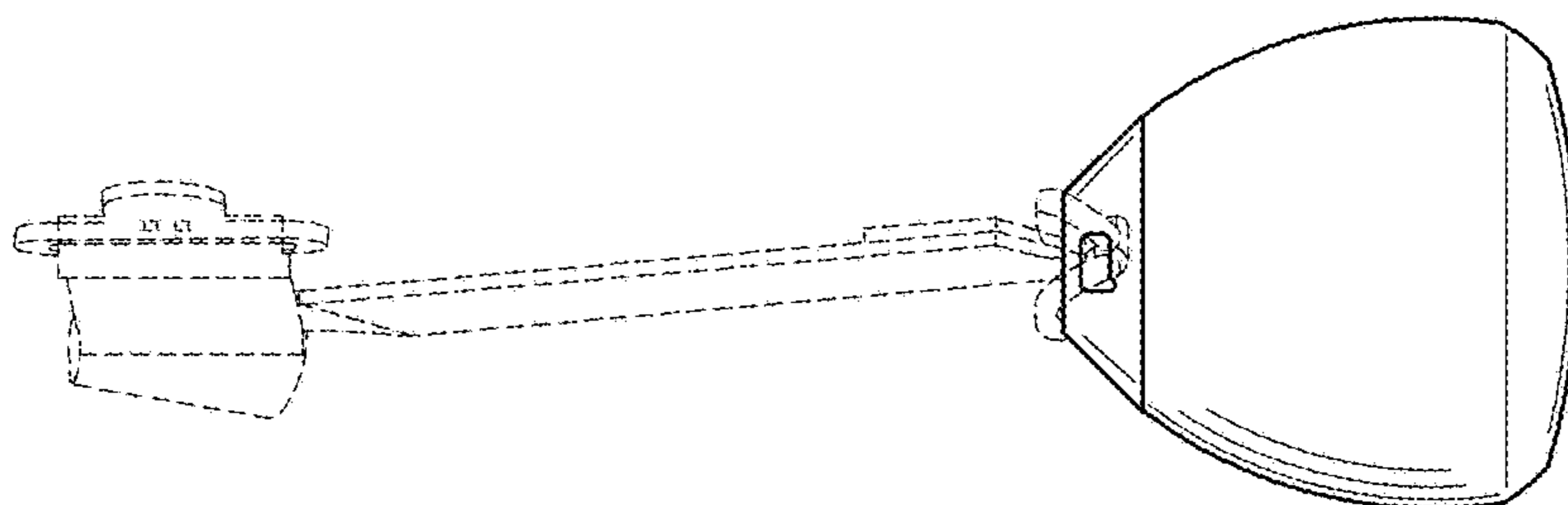
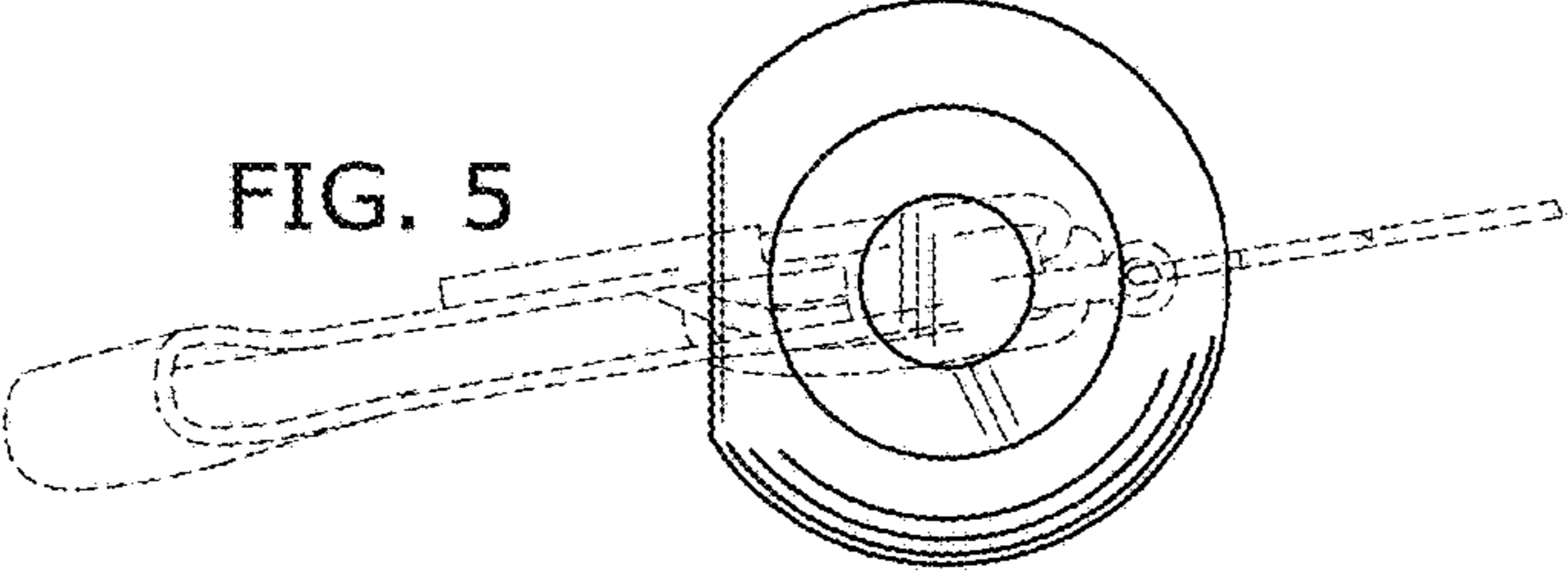
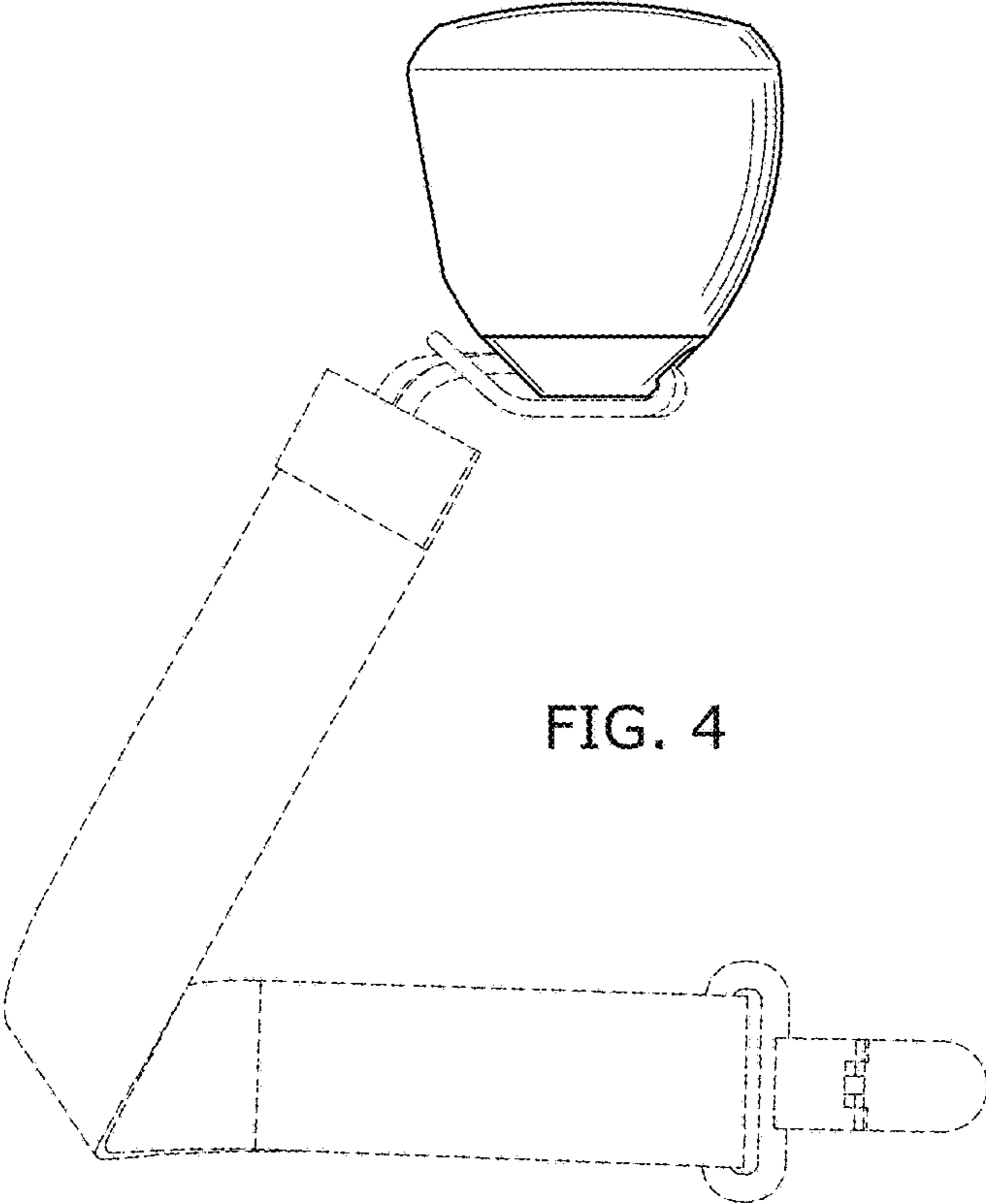


FIG. 3



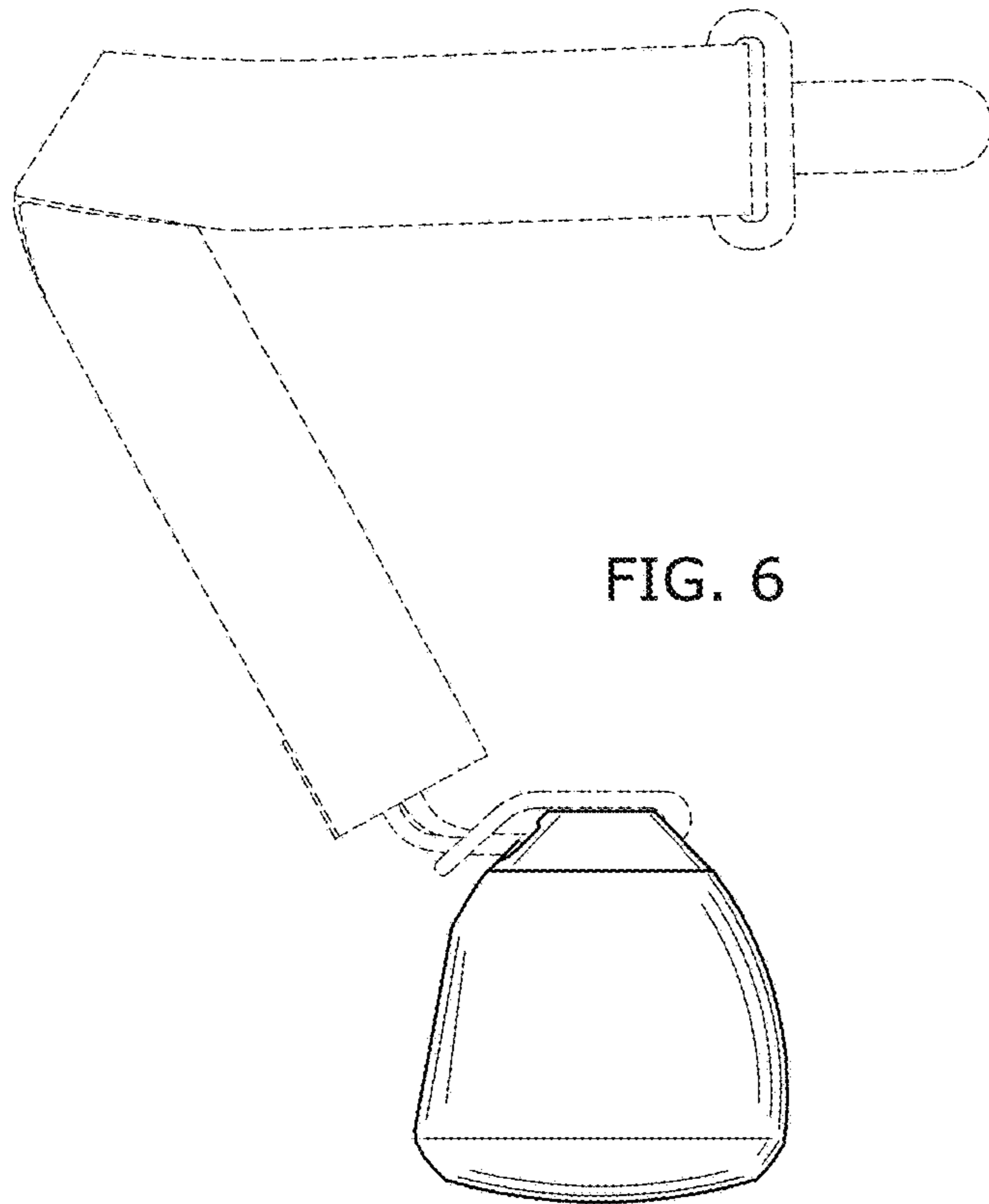


FIG. 6

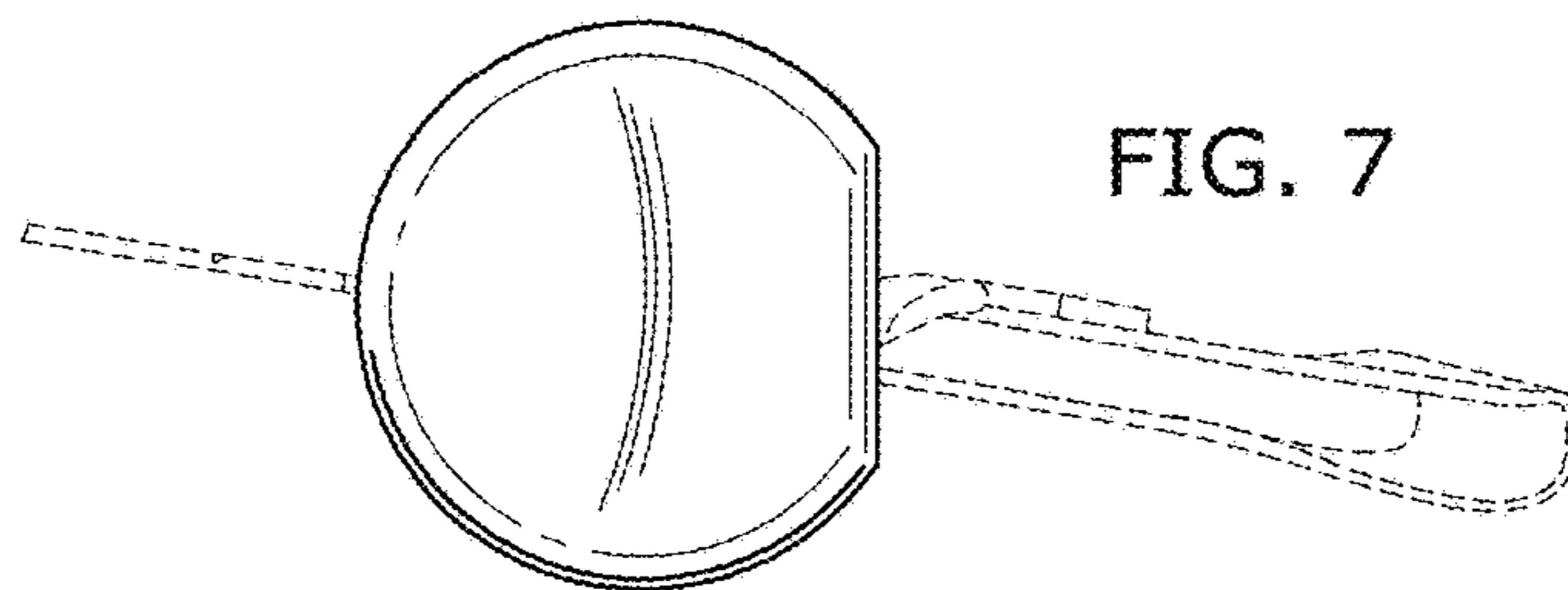


FIG. 7