



US00D861886S

(12) **United States Design Patent**
Kubelka et al.

(10) **Patent No.:** **US D861,886 S**

(45) **Date of Patent:** **** Oct. 1, 2019**

- (54) **PACIFIER**
- (71) Applicant: **MAM BABYARTIKEL
GESELLSCHAFT M.B.H.**, Vienna
(AT)
- (72) Inventors: **Harry Kubelka**, Vienna (AT); **Peter
Roehrig**, Vienna (AT)
- (73) Assignee: **MAM BABYARTIKEL
GESELLSCHAFT M.B.H.**, Vienna
(AT)

(**) Term: **15 Years**

(21) Appl. No.: **29/604,407**

(22) Filed: **May 17, 2017**

(30) **Foreign Application Priority Data**

Dec. 9, 2016 (EM) 0035083990001

(51) **LOC (12) Cl.** **24-04**

(52) **U.S. Cl.**
USPC **D24/194**

(58) **Field of Classification Search**
USPC D24/115, 117, 193, 194, 195, 196, 197;
D30/160; D7/392.1; D9/436; D21/576,
D21/596, 604, 616, 619, 652
CPC A61J 17/00; A61J 17/001
See application file for complete search history.

(56) **References Cited**

U.S. PATENT DOCUMENTS

- D441,083 S * 4/2001 Roehrig D24/194
- 6,809,644 B1 * 10/2004 Titus G08B 21/0208
340/539.15
- D662,599 S * 6/2012 Rhodes, II D24/194
- D662,600 S * 6/2012 Rhodes, II D24/194
- D674,496 S * 1/2013 Roehrig D24/194
- D691,277 S * 10/2013 McCarty D24/194

- 8,651,108 B2 * 2/2014 Albano A61J 17/001
128/200.24
- D740,430 S * 10/2015 Oates, II D24/194
- D748,811 S * 2/2016 Lee D24/194
- 9,585,815 B2 * 3/2017 Tesini A61J 17/001
- 9,707,158 B2 * 7/2017 Chan A45F 5/02
- D794,811 S * 8/2017 Thomas A61J 17/00
D24/194
- 9,770,394 B1 * 9/2017 Velazquez A61J 17/00

OTHER PUBLICATIONS

“MAM Start Silicone Pacifier”. Found online Dec. 14, 2018 at amazon.com. Page dated Mar. 23, 2011. Retrieved from <https://www.amazon.com/MAM-Silicone-Pacifier-Colors-2-Count/dp/B0037UZUR8>.*

(Continued)

Primary Examiner — Kendra Leslie Hamilton

(74) *Attorney, Agent, or Firm* — Abelman, Frayne & Schwab

(57) **CLAIM**

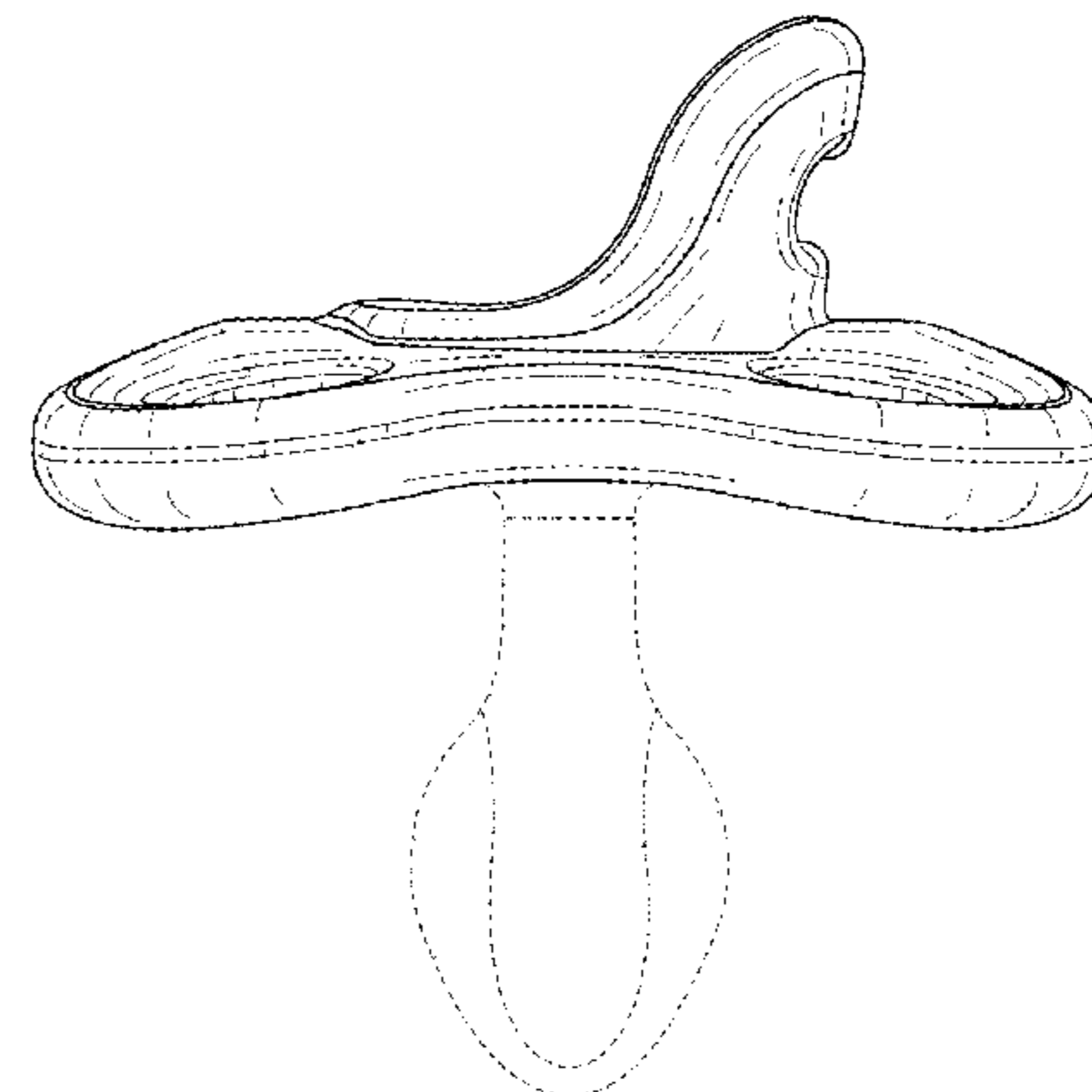
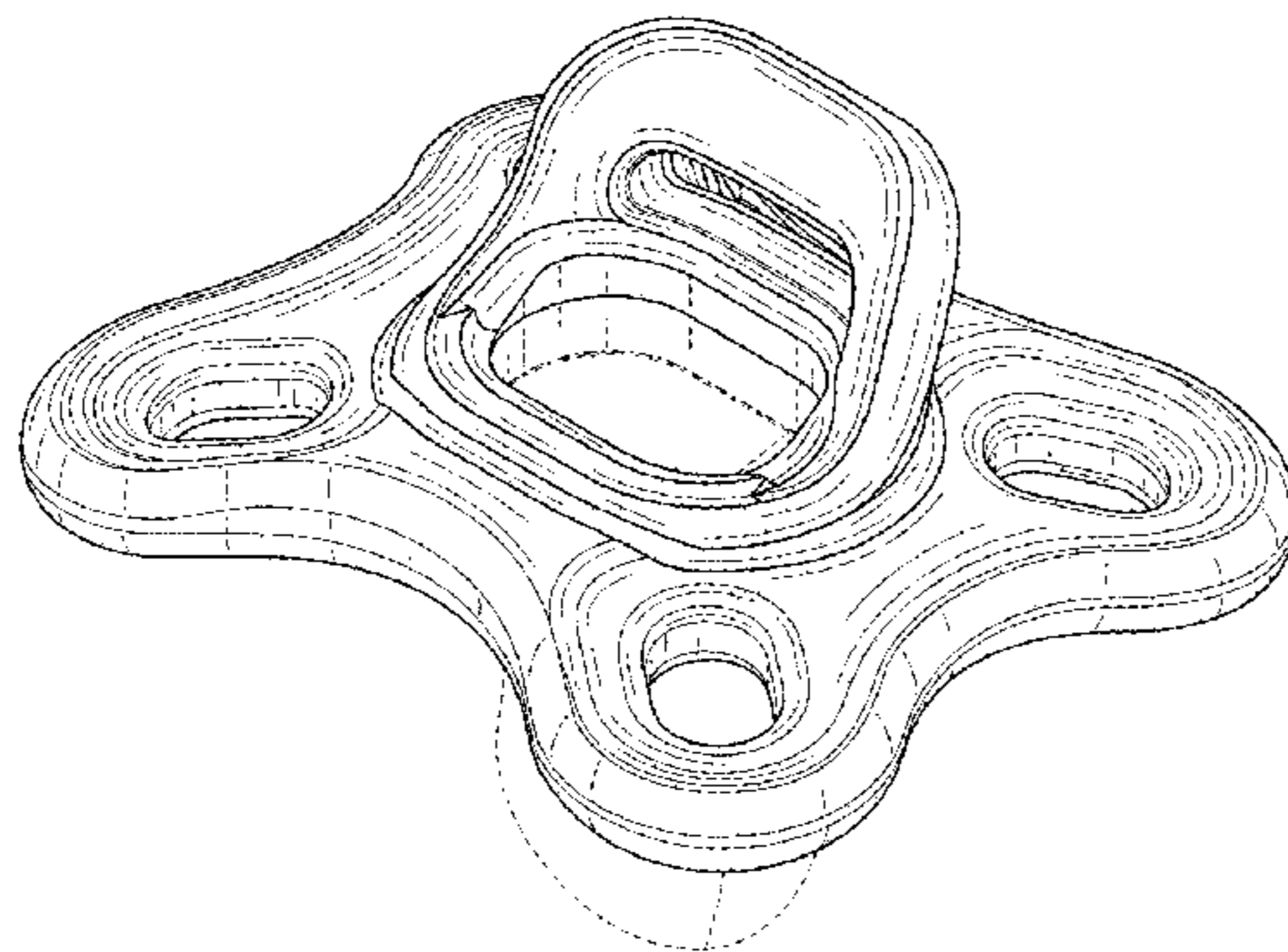
The ornamental design for a pacifier, as shown and described.

DESCRIPTION

FIG. 1 is a front, top and right perspective view of a pacifier, showing our new design;
FIG. 2 is a front elevation thereof;
FIG. 3 is a rear elevation thereof;
FIG. 4 is a right side elevation thereof;
FIG. 5 is a left side elevation thereof;
FIG. 6 is a top plan thereof; and,
FIG. 7 is a bottom plan thereof.

In the drawings, the even-length broken lines depict portions of the pacifier that form no part of the claimed design. The dash-dot-dash broken lines in FIGS. 1 and 6 form the boundaries of the claimed design.

1 Claim, 7 Drawing Sheets



(56)

References Cited

OTHER PUBLICATIONS

“Pampers Natural Stages Pacifiers Recalled”. Found online Dec. 6, 2016 at thesafestline.com. Page dated Jun. 13, 2011. Retrieved from <http://www.thesafestline.com/pampers-natural-stages-pacifiers-recalled/>.*

“Dr. Brown’s Pacifier with Handle, 0-6 Months”. Found online Jul. 29, 2016 at amazon.com. Page dated May 23, 2010. Retrieved from https://www.amazon.com/Dr-Browns-Pacifier-Discontinued-Manufacturer/dp/B00365EAAW/ref=cm_cr_othr_d_product_top?ie=UTF8.*

“NUK Newborn 100% Silicone Orthodontic Pacifier”. Found online Dec. 6, 2016 at amazon.com. Page dated Aug. 10, 2014. Retrieved from https://www.amazon.com/NUK-Silicone-Orthodontic-Pacifier-Assorted/dp/B00L4IVET8/ref=cm_cr_arp_d_product_top?ie=UTF8.*

* cited by examiner

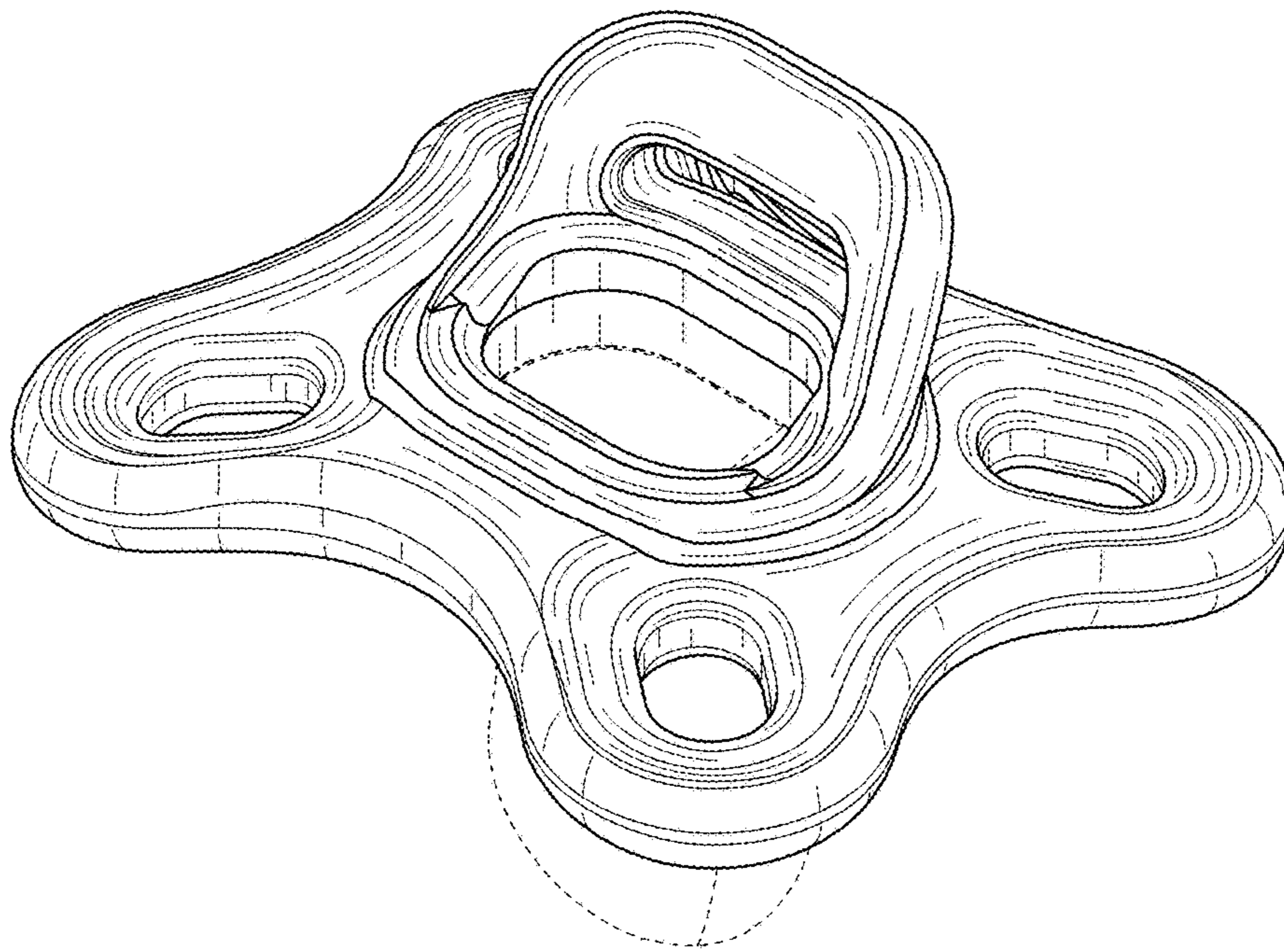


FIG. 1

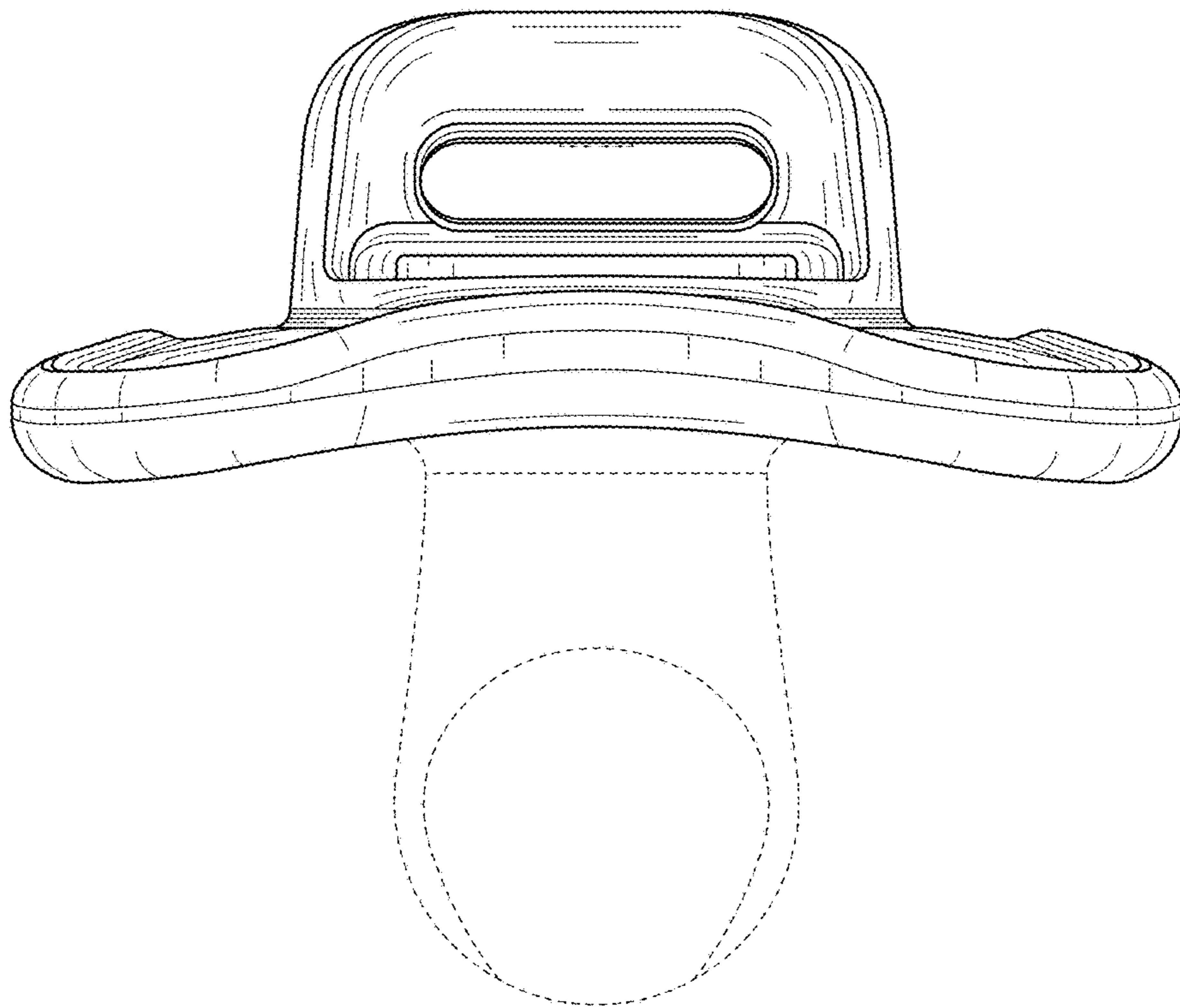


FIG. 2

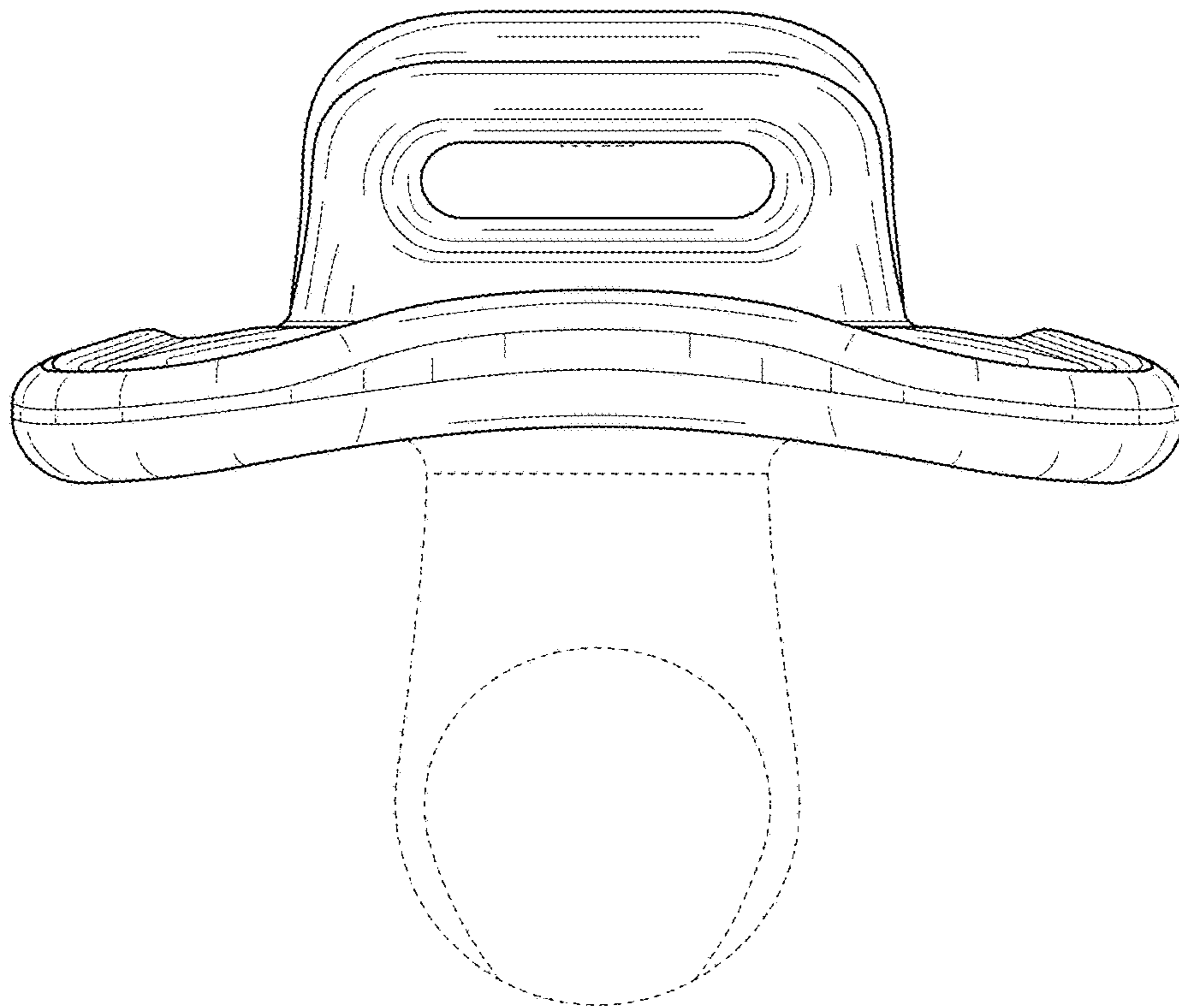


FIG. 3

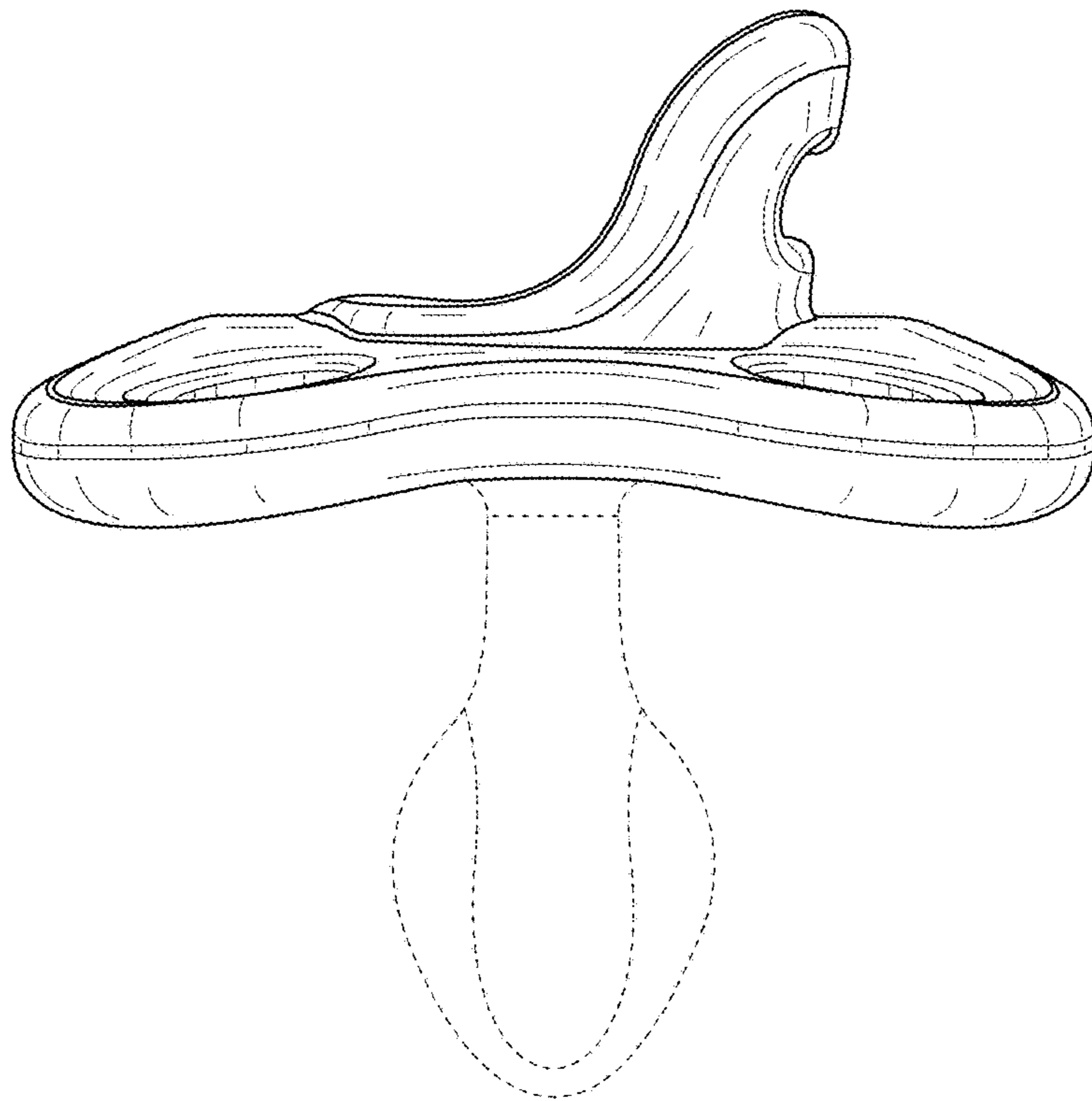


FIG. 4

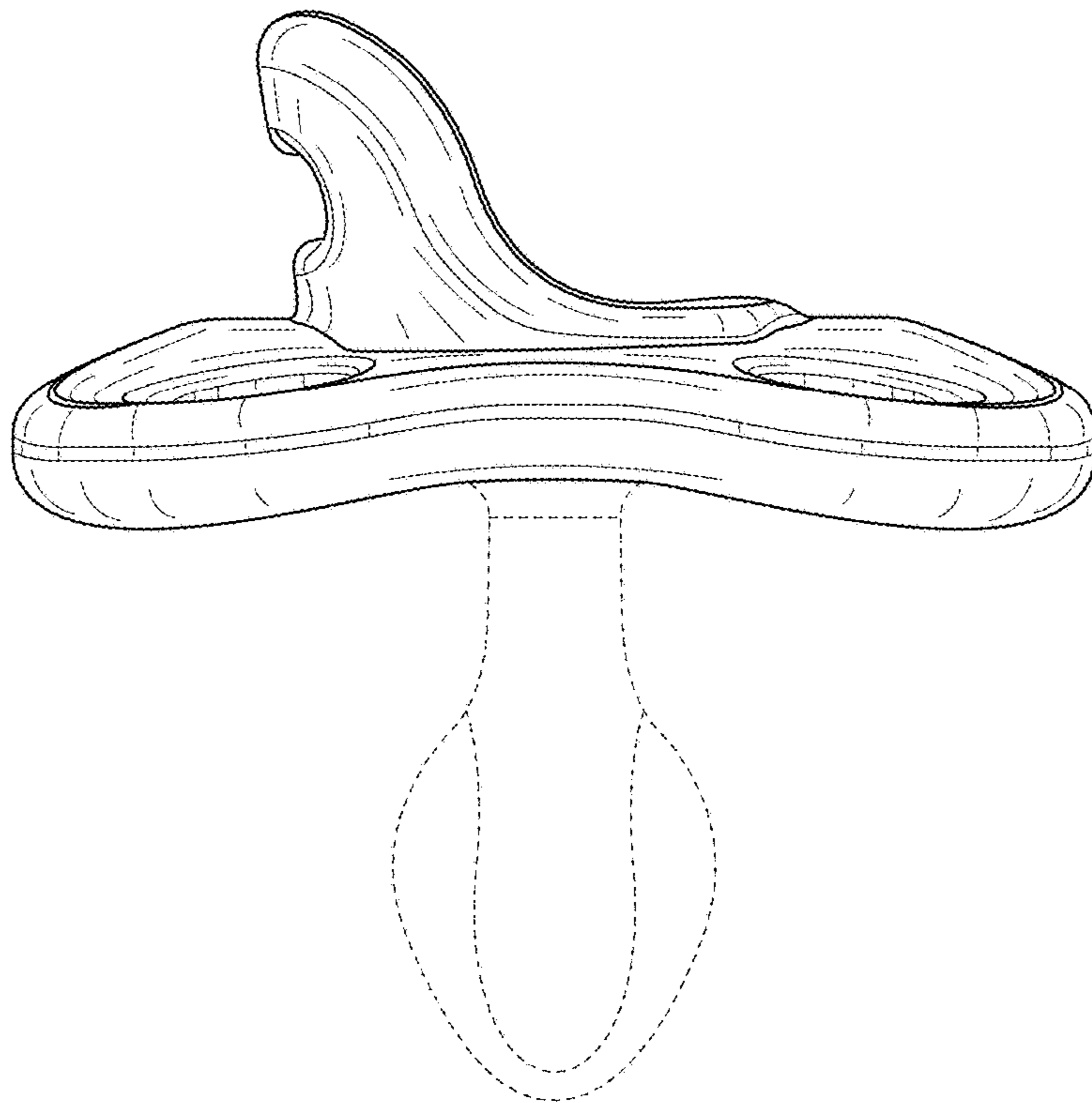


FIG. 5

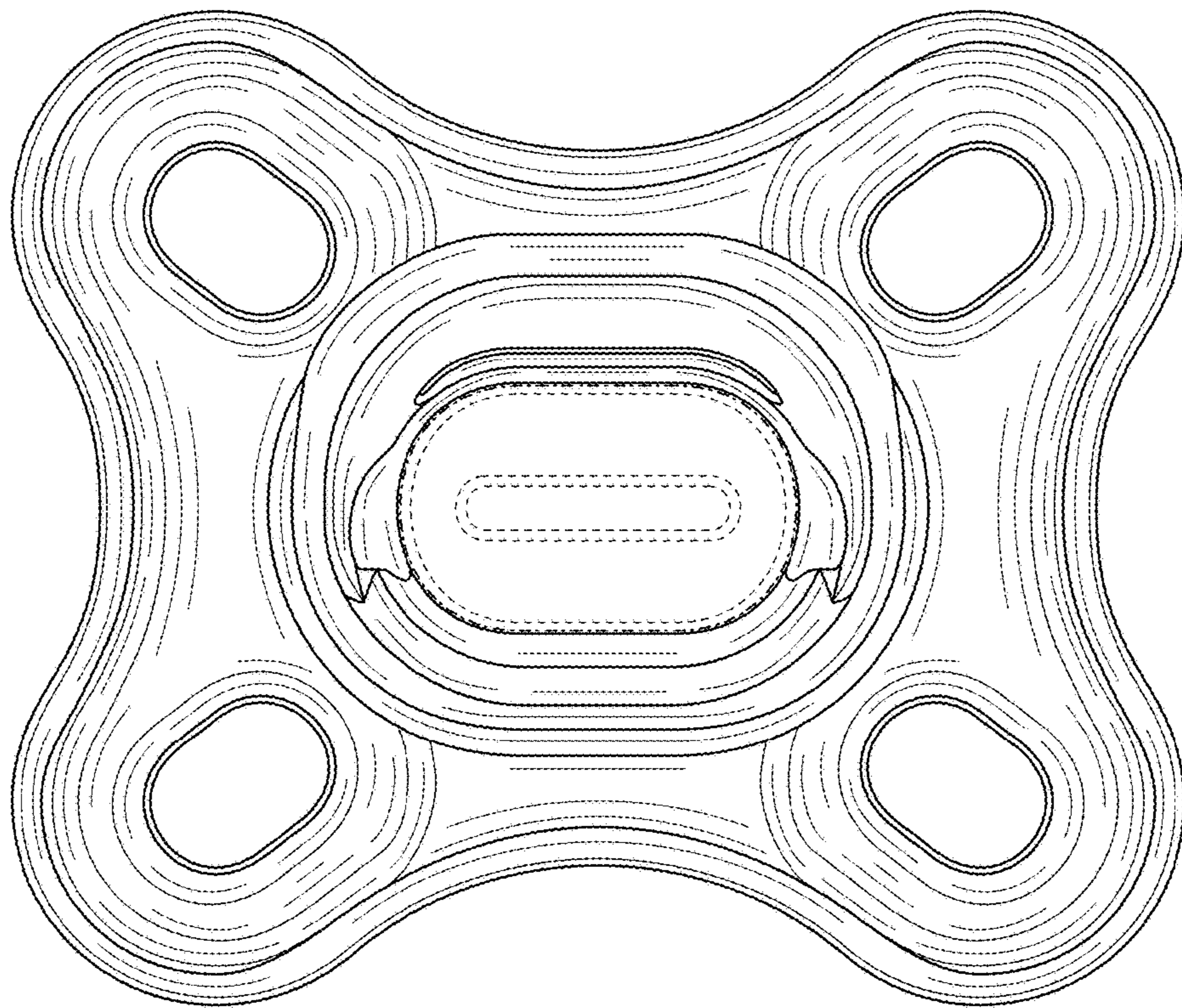


FIG. 6

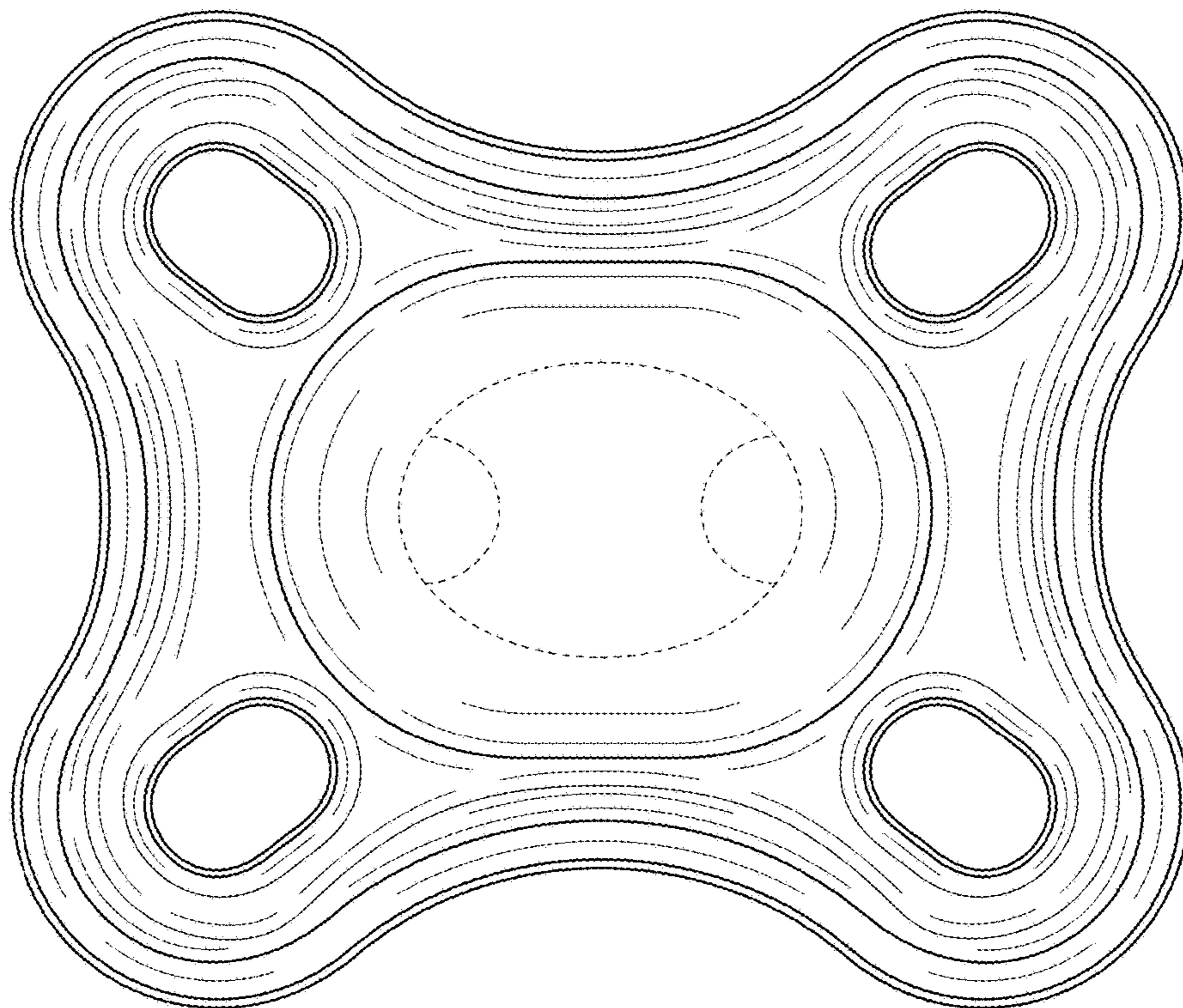


FIG. 7