



US00D861885S

(12) **United States Design Patent**  
**McEwen et al.**

(10) **Patent No.:** **US D861,885 S**

(45) **Date of Patent:** **\*\* Oct. 1, 2019**

(54) **SLEEVE WITH SEAM**

(71) Applicant: **Western Clinical Engineering Ltd.,**  
Vancouver (CA)

(72) Inventors: **James Allen McEwen,** Vancouver  
(CA); **Michael Jameson,** North  
Vancouver (CA); **Tom Yu Chia Lai,**  
Vancouver (CA); **Jane Dorothea**  
**Procyshyn,** Surrey (CA); **Joshua**  
**Jonathan Sam,** Vancouver (CA)

(73) Assignee: **Western Clinical Engineering Ltd.,**  
Vancouver (CA)

(\*\*) Term: **15 Years**

(21) Appl. No.: **29/618,577**

(22) Filed: **Sep. 21, 2017**

(51) **LOC (12) Cl.** ..... **24-04**

(52) **U.S. Cl.**  
USPC ..... **D24/190**

(58) **Field of Classification Search**  
USPC ..... D24/190-192; D29/120.1, 121.1, 122  
CPC .... A61F 5/0109; A61F 13/061; A61F 2/7812;  
A61F 5/0106; A61F 2002/7818  
See application file for complete search history.

(56) **References Cited**

U.S. PATENT DOCUMENTS

- 6,592,539 B1 \* 7/2003 Einarsson ..... A61F 5/0109  
602/26
- 6,726,641 B2 \* 4/2004 Chiang ..... A61F 5/0104  
602/5
- D551,351 S \* 9/2007 Silva ..... D24/190

(Continued)

*Primary Examiner* — Jennifer L Watkins

(74) *Attorney, Agent, or Firm* — Klarquist Sparkman,  
LLP

(57) **CLAIM**

We claim the ornamental design for a sleeve with seam, as shown and described.

**DESCRIPTION**

FIG. 1 is a perspective view of the sleeve with seam showing our new design with the sleeve in an expanded configuration from one end.

FIG. 2 is another perspective view thereof from an opposite end;

FIG. 3 is a front side elevation view thereof with the sleeve in an unexpanded configuration.

FIG. 4 is a top plan view thereof.

FIG. 5 is a bottom plan view thereof.

FIG. 6 is a right side elevational view thereof.

FIG. 7 is a left side elevational view thereof.

FIG. 8 is a rear side elevation view thereof.

FIG. 9 is an enlarged view of a second embodiment, taken from any area in a main field of the design away from the seam in FIGS. 10-17.

FIG. 10 is a perspective view thereof in an expanded configuration.

FIG. 11 is another perspective view thereof;

FIG. 12 is a front side elevation view thereof with the sleeve in an unexpanded configuration.

FIG. 13 is a top plan view thereof.

FIG. 14 is a bottom plan view thereof.

FIG. 15 is a right side elevational view thereof.

FIG. 16 is a left side elevational view thereof.

FIG. 17 is a rear side elevation view thereof.

FIG. 18 is a front side elevation view of the sleeve with seam according to a third embodiment showing our new design with the sleeve in an unexpanded configuration.

FIG. 19 is a top plan view thereof.

FIG. 20 is a bottom plan view thereof.

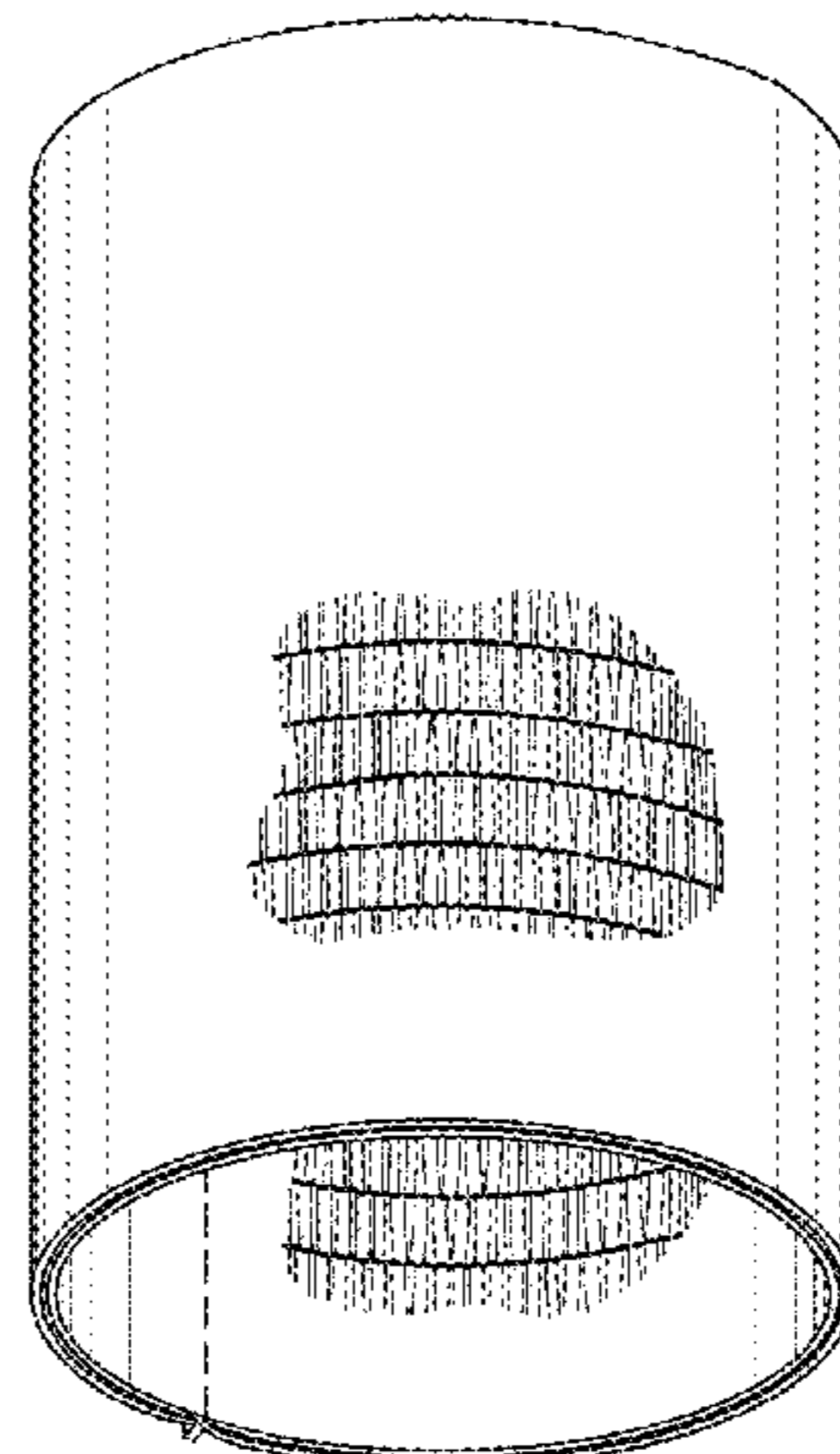
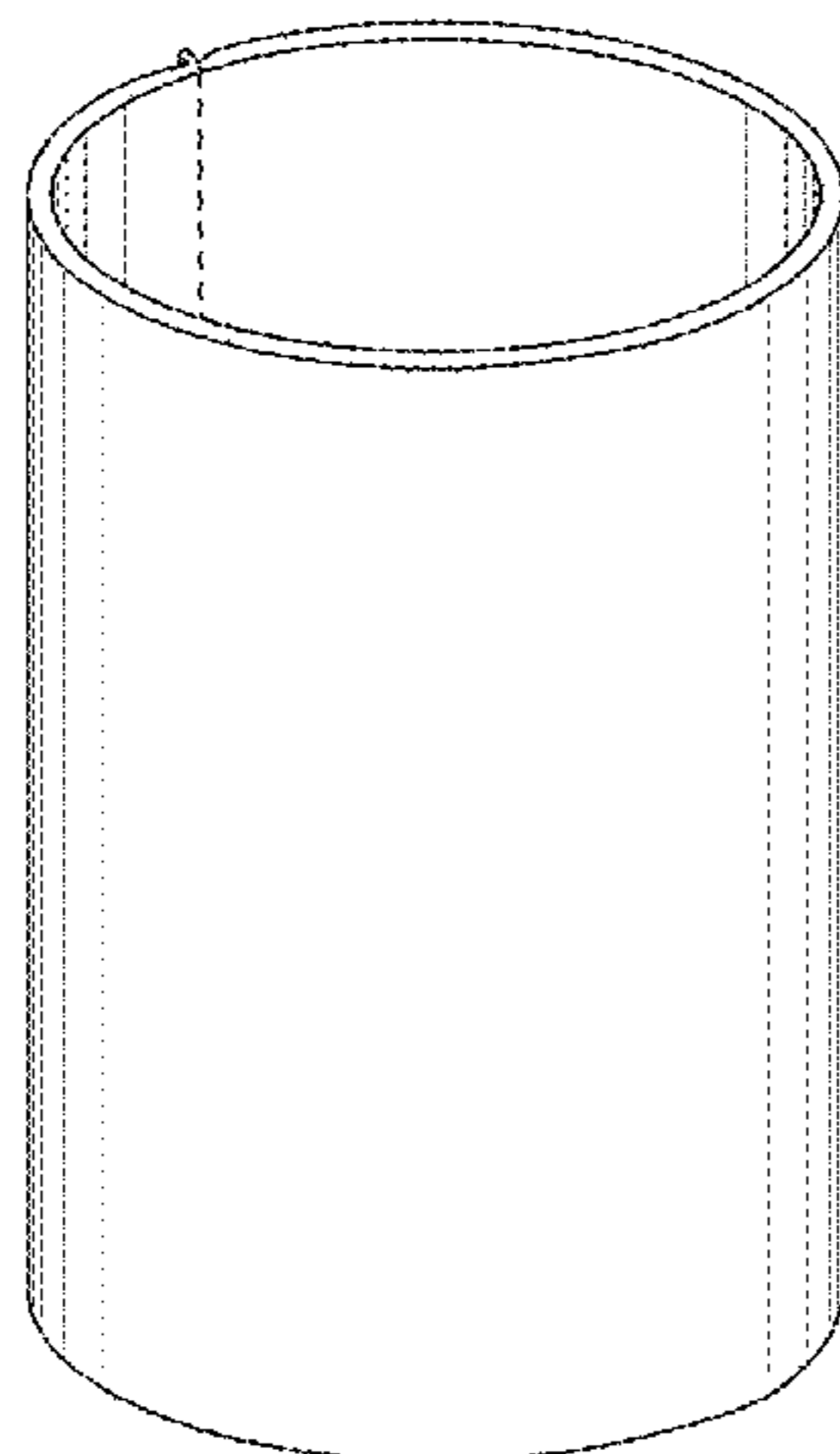
FIG. 21 is a right side elevational view thereof.

FIG. 22 is a left side elevational view thereof; and,

FIG. 23 is a rear side elevation view thereof.

The broken line showings of a seam form no part of the claimed design. The dash-dot line in FIG. 9 indicates a boundary that forms no part of the claimed design.

**1 Claim, 9 Drawing Sheets**



(56)

**References Cited**

U.S. PATENT DOCUMENTS

8,118,765 B2 \* 2/2012 Magnusson ..... A61F 5/0109  
602/26  
D707,361 S \* 6/2014 Banks ..... D24/190  
D778,506 S \* 2/2017 Matfus ..... D29/121.1  
D785,190 S \* 4/2017 Bell ..... D24/190  
2002/0169407 A1 \* 11/2002 Glinsboeckel ..... A61F 5/0109  
602/64  
2003/0114782 A1 \* 6/2003 Chiang ..... A61F 5/01  
602/6  
2006/0026730 A1 \* 2/2006 Terczak ..... A41D 13/08  
2/59  
2011/0179542 A1 \* 7/2011 Khuong ..... A41D 13/088  
2/16  
2012/0096616 A1 \* 4/2012 Fisher ..... A63B 71/1225  
2/22  
2012/0310129 A1 \* 12/2012 Johnson ..... A61F 5/0118  
602/20

\* cited by examiner

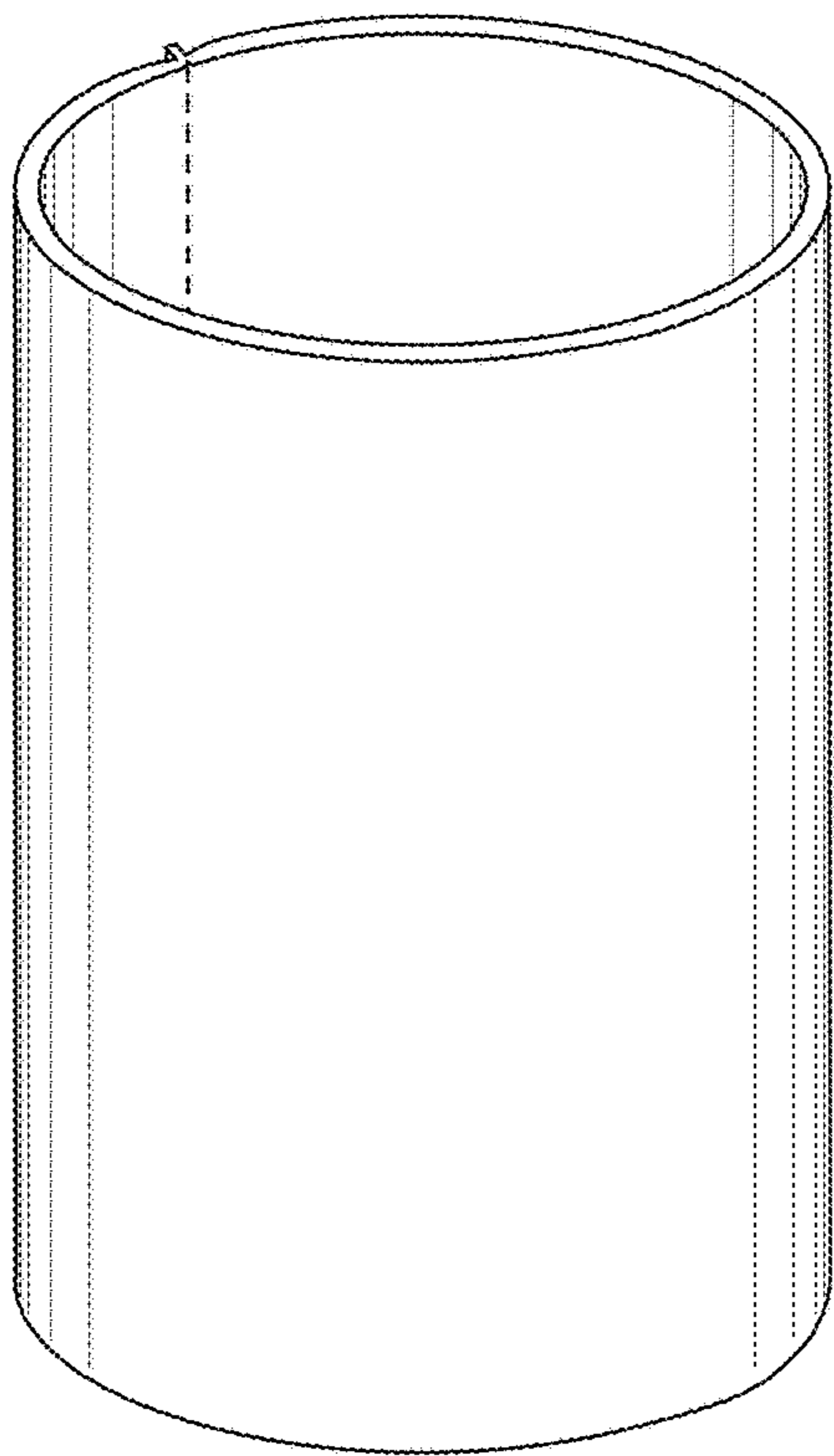


FIG. 1

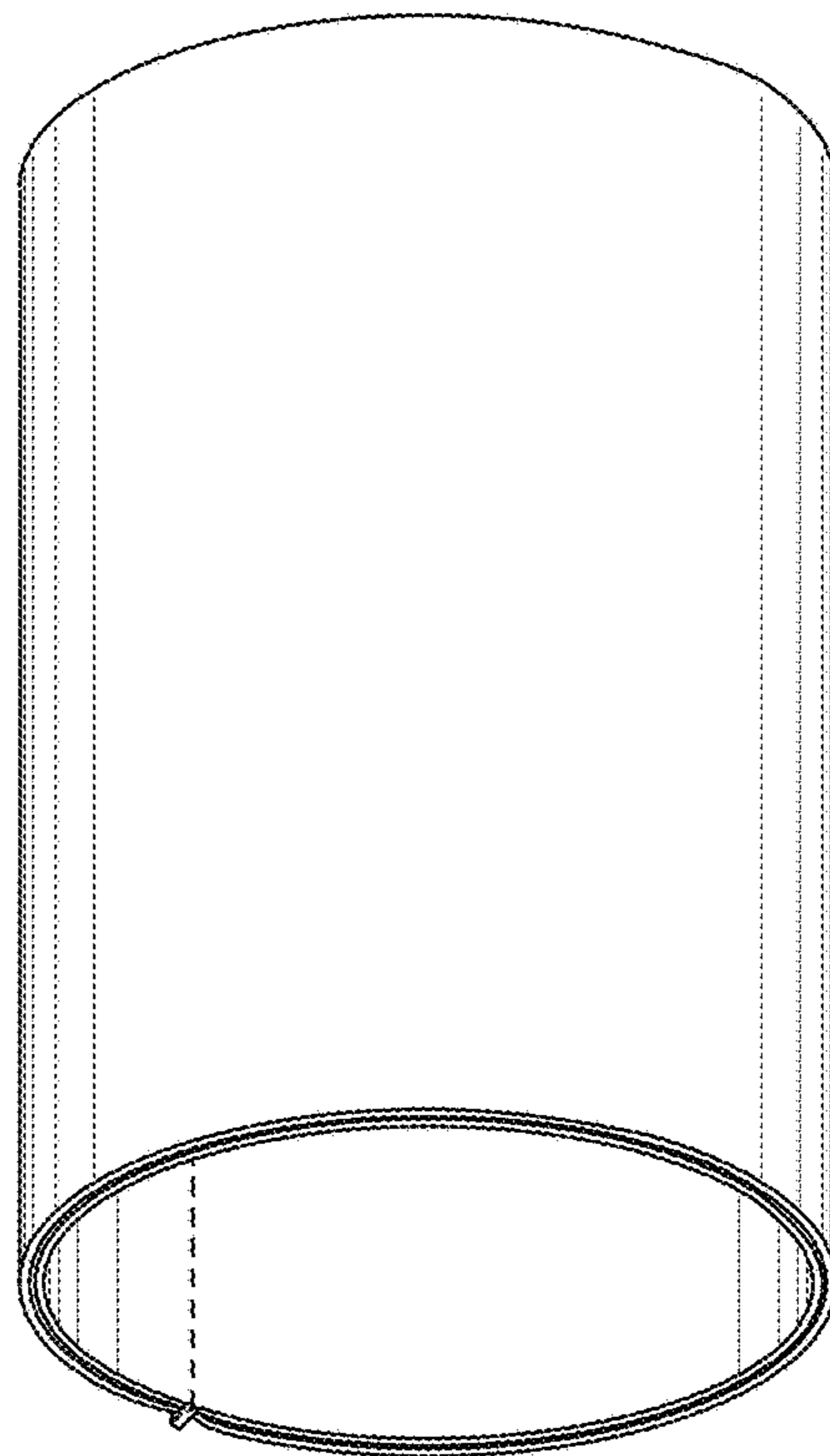


FIG. 2

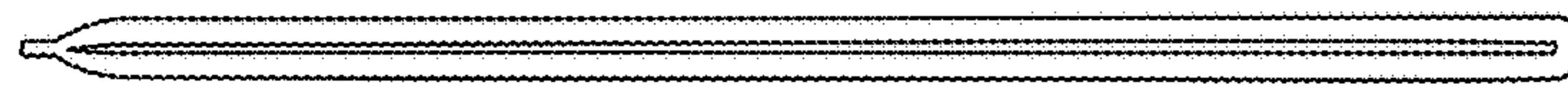


FIG. 4

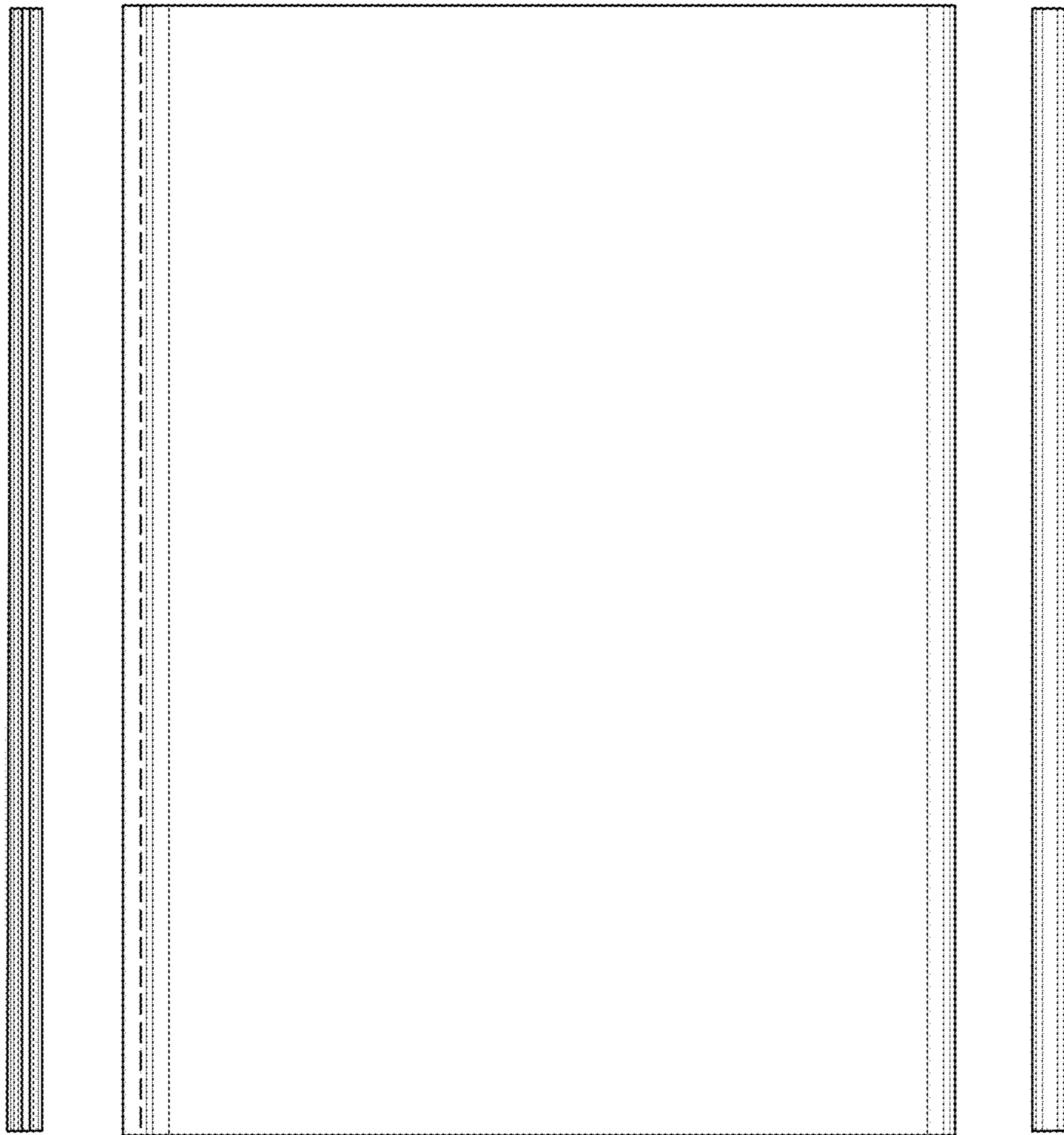


FIG. 7

FIG. 3

FIG. 6

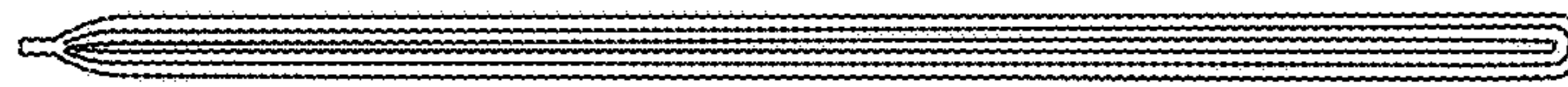


FIG. 5

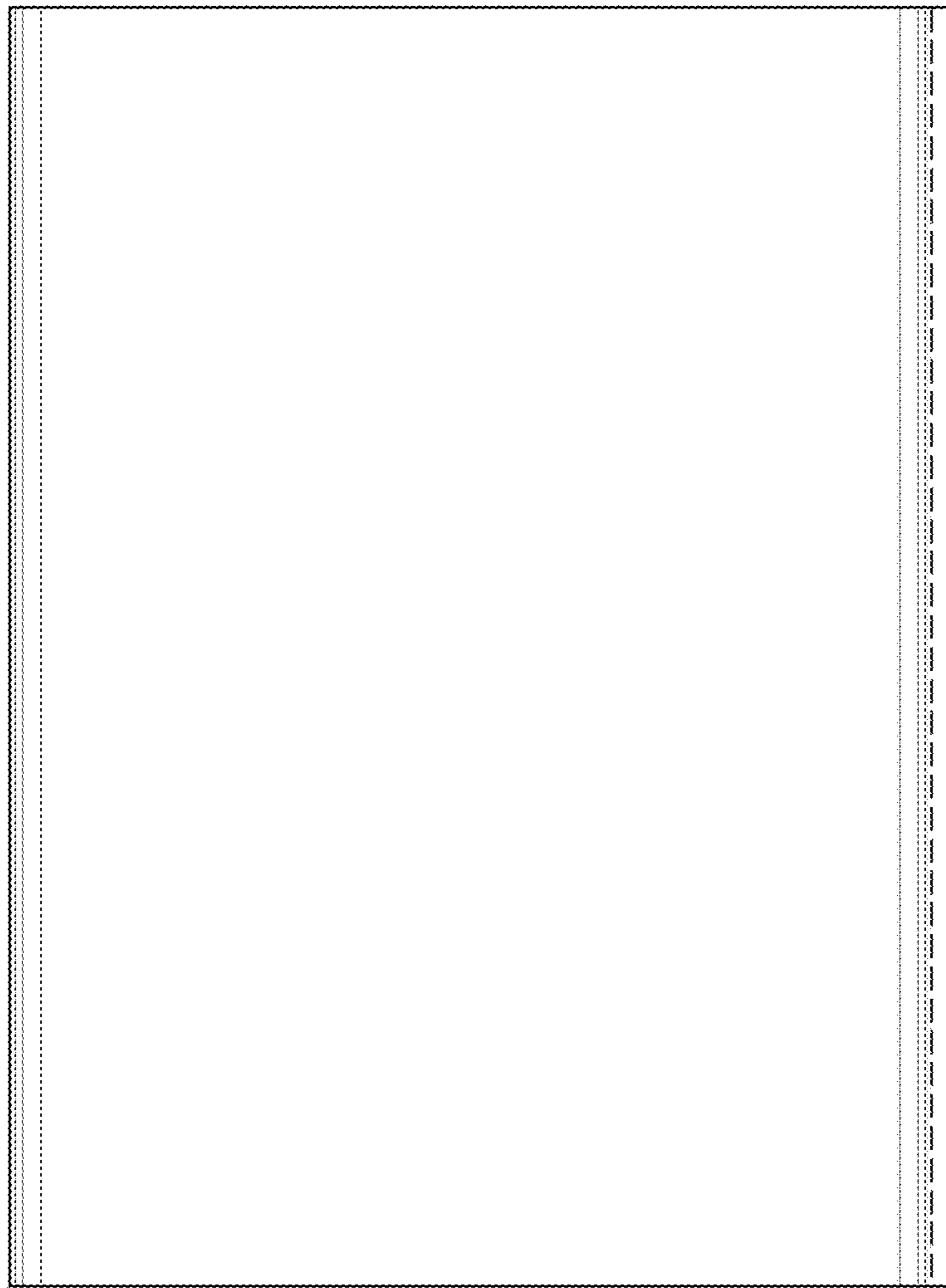


FIG. 8



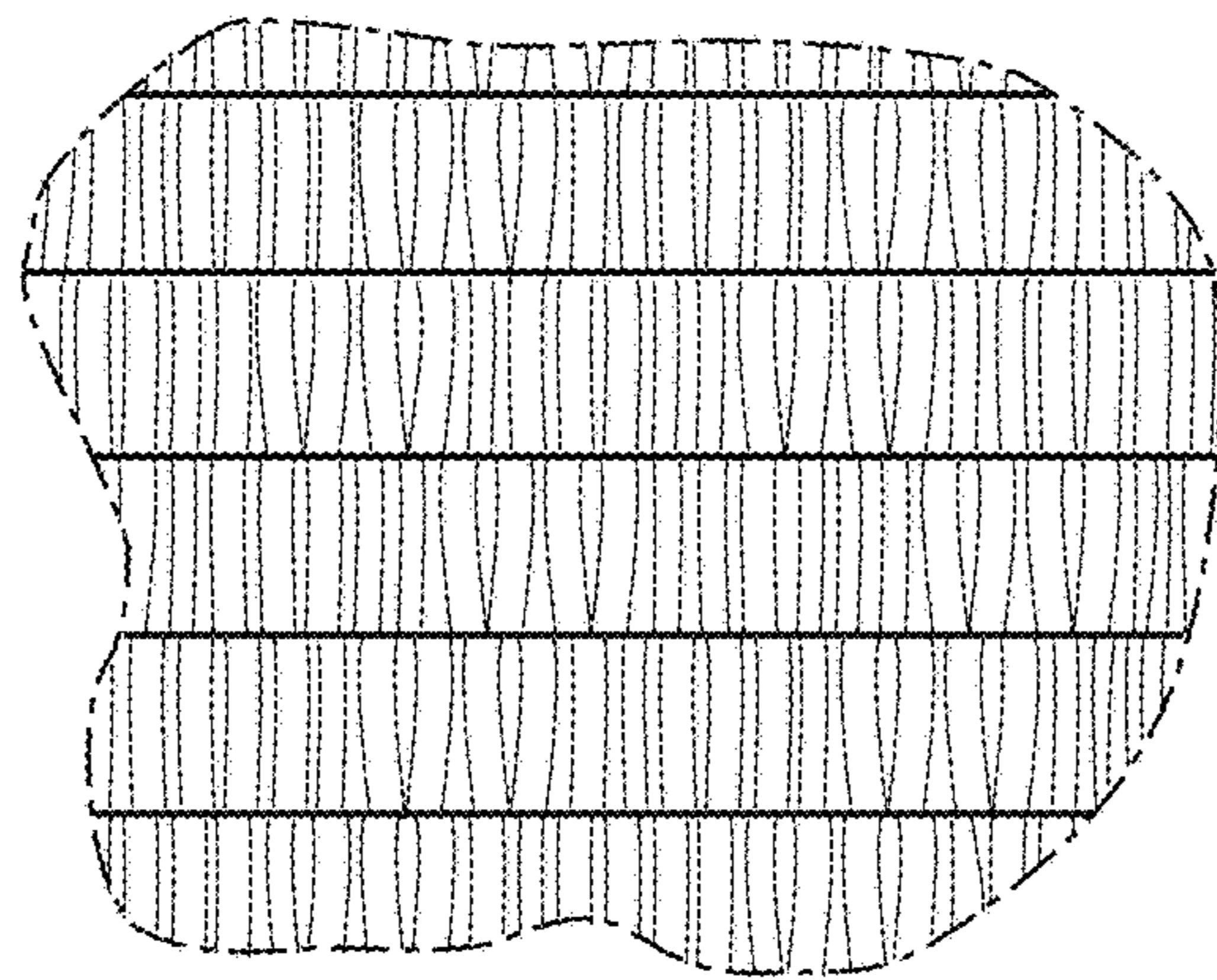


FIG. 9

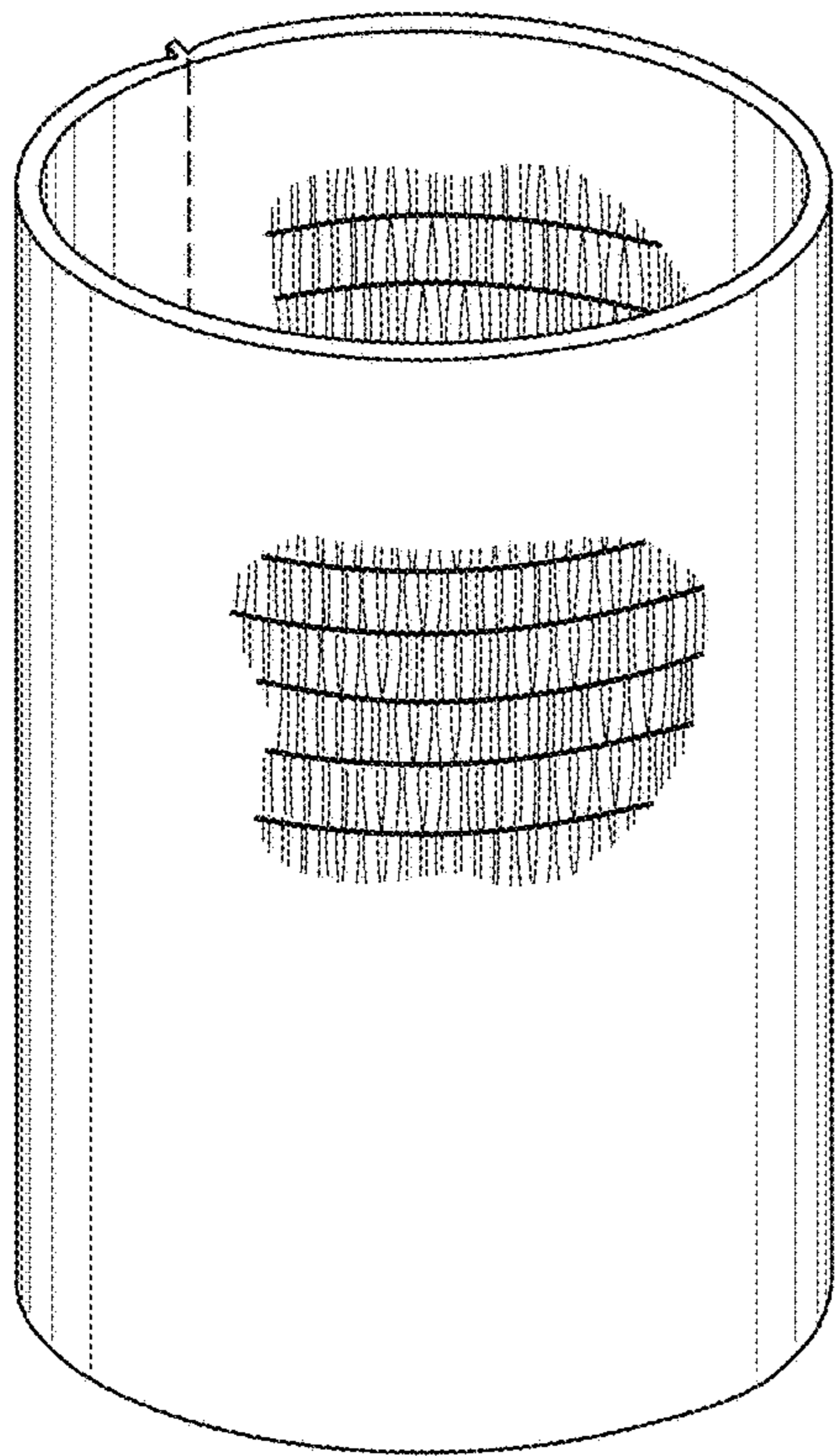


FIG. 10

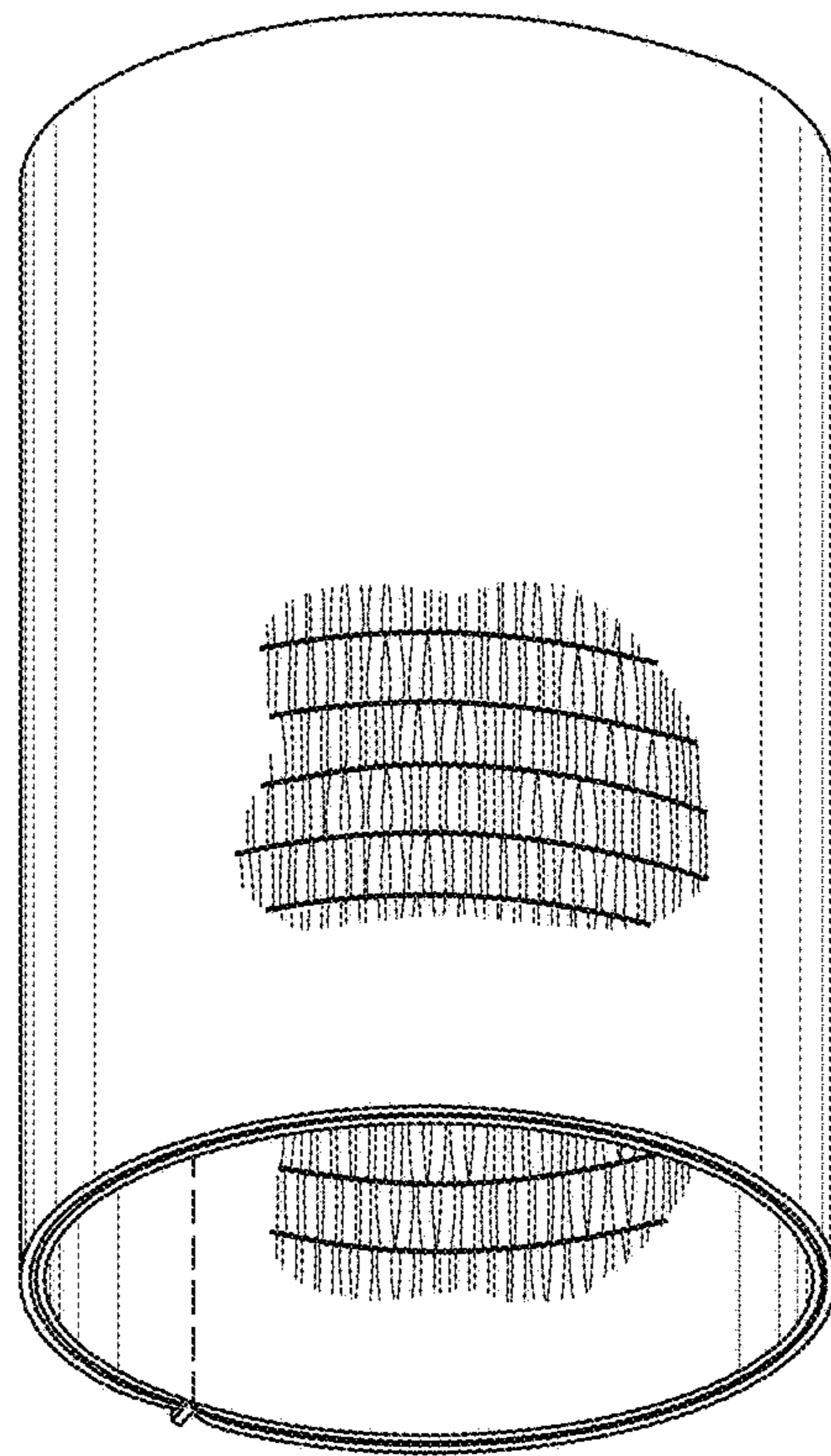


FIG. 11

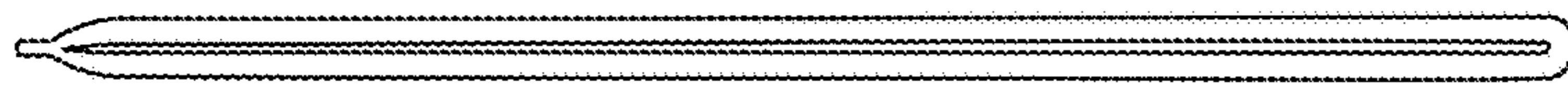


FIG. 13

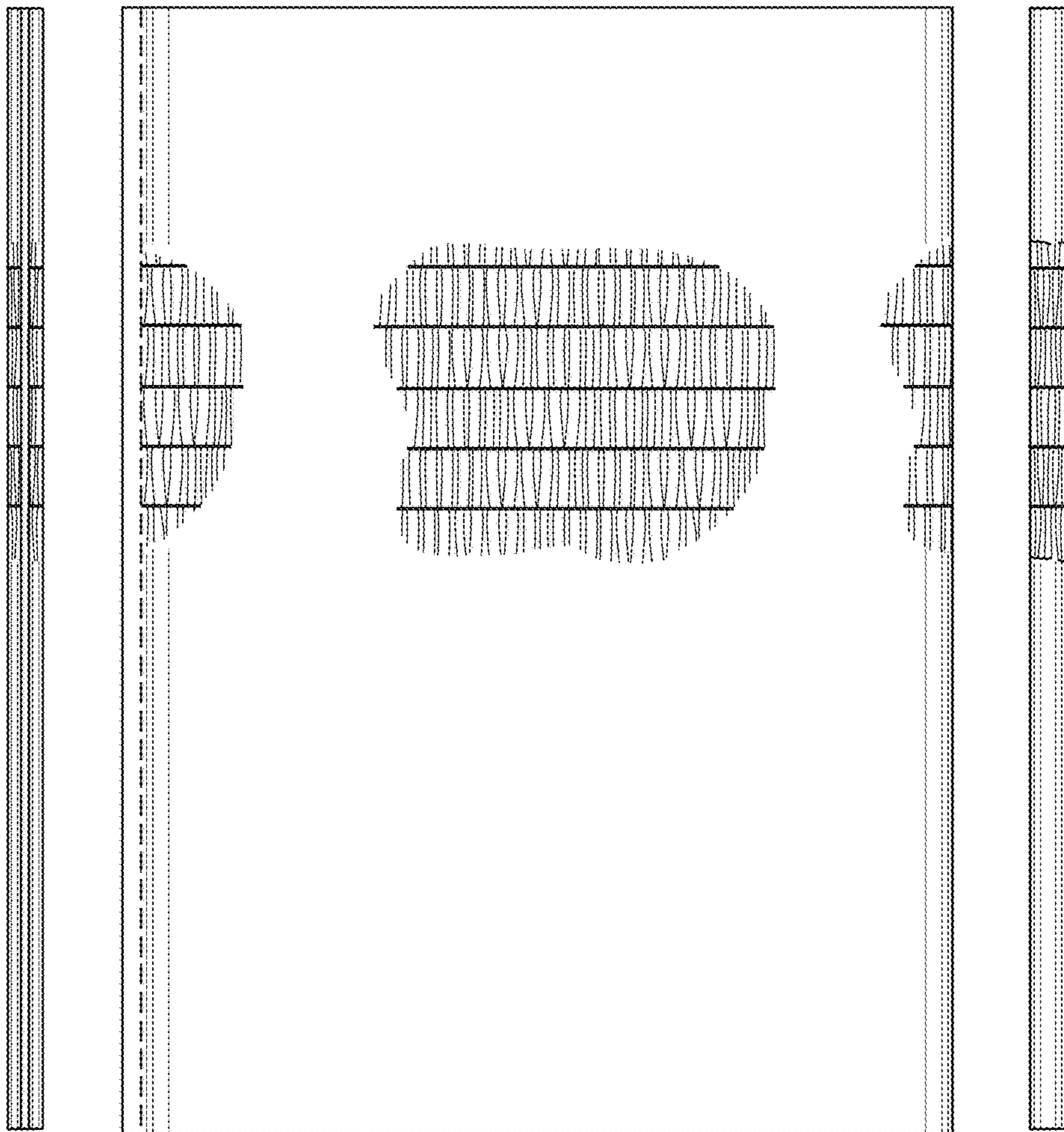


FIG. 16

FIG. 12

FIG. 15



FIG. 14



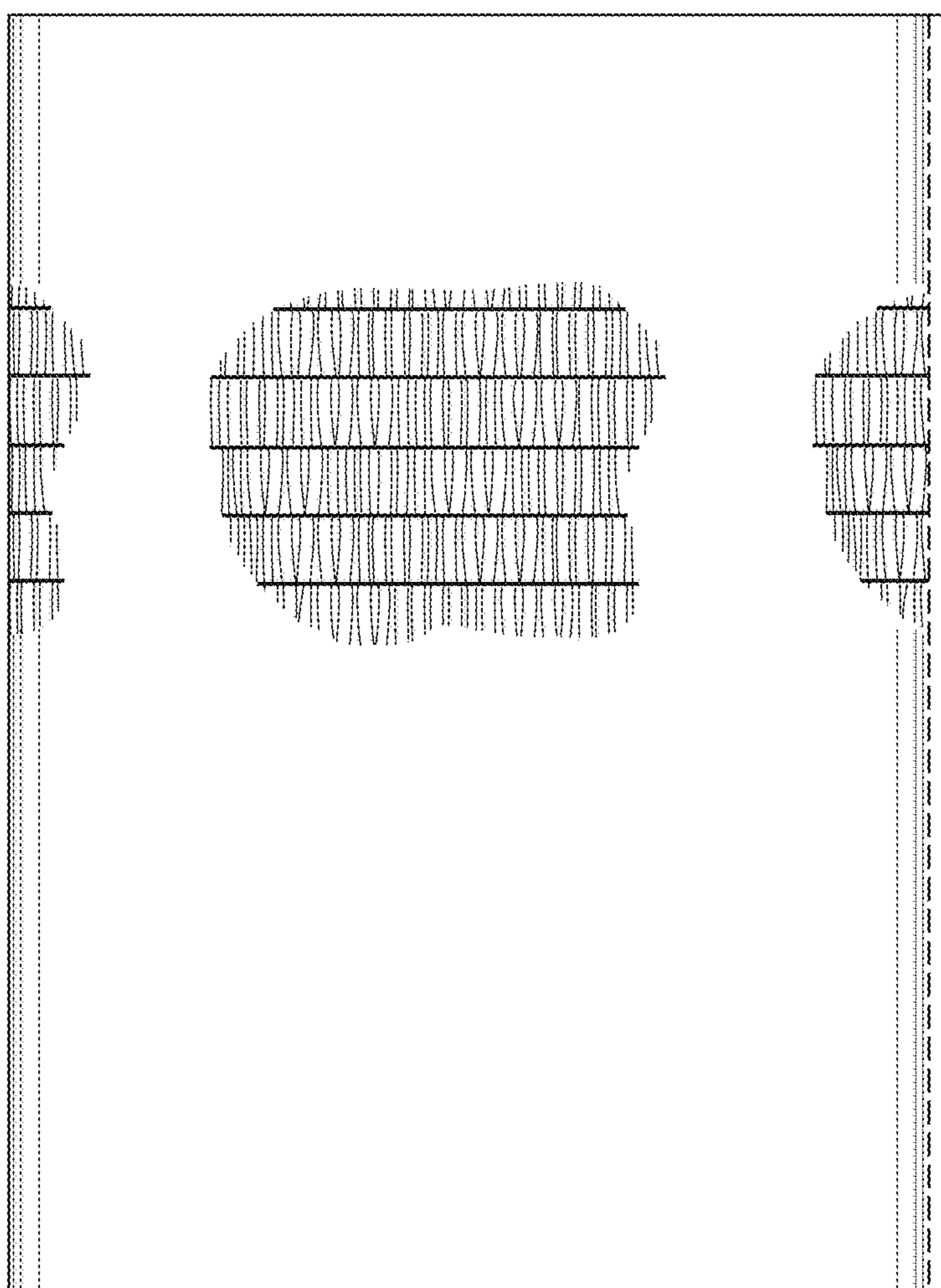


FIG. 17

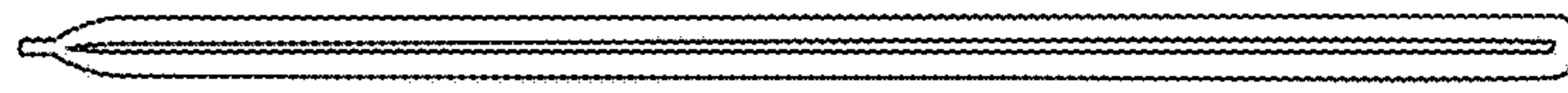


FIG. 19

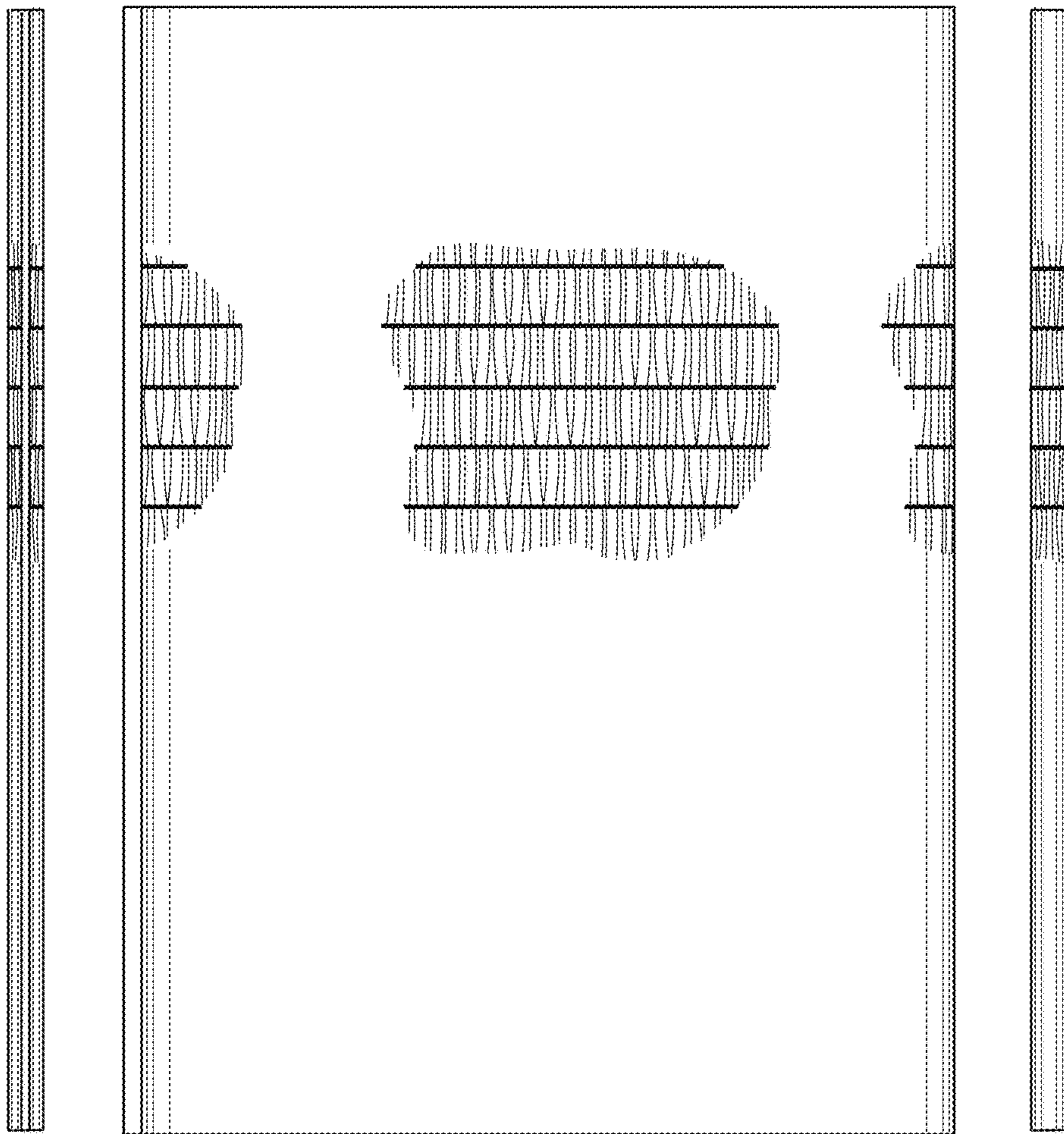


FIG. 22

FIG. 18

FIG. 21

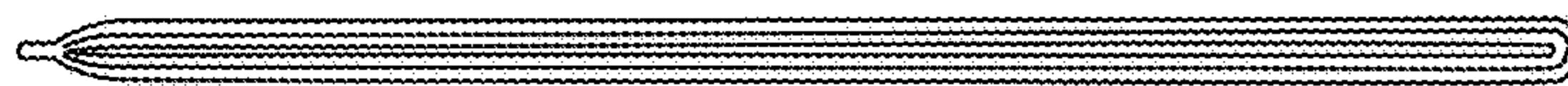


FIG. 20

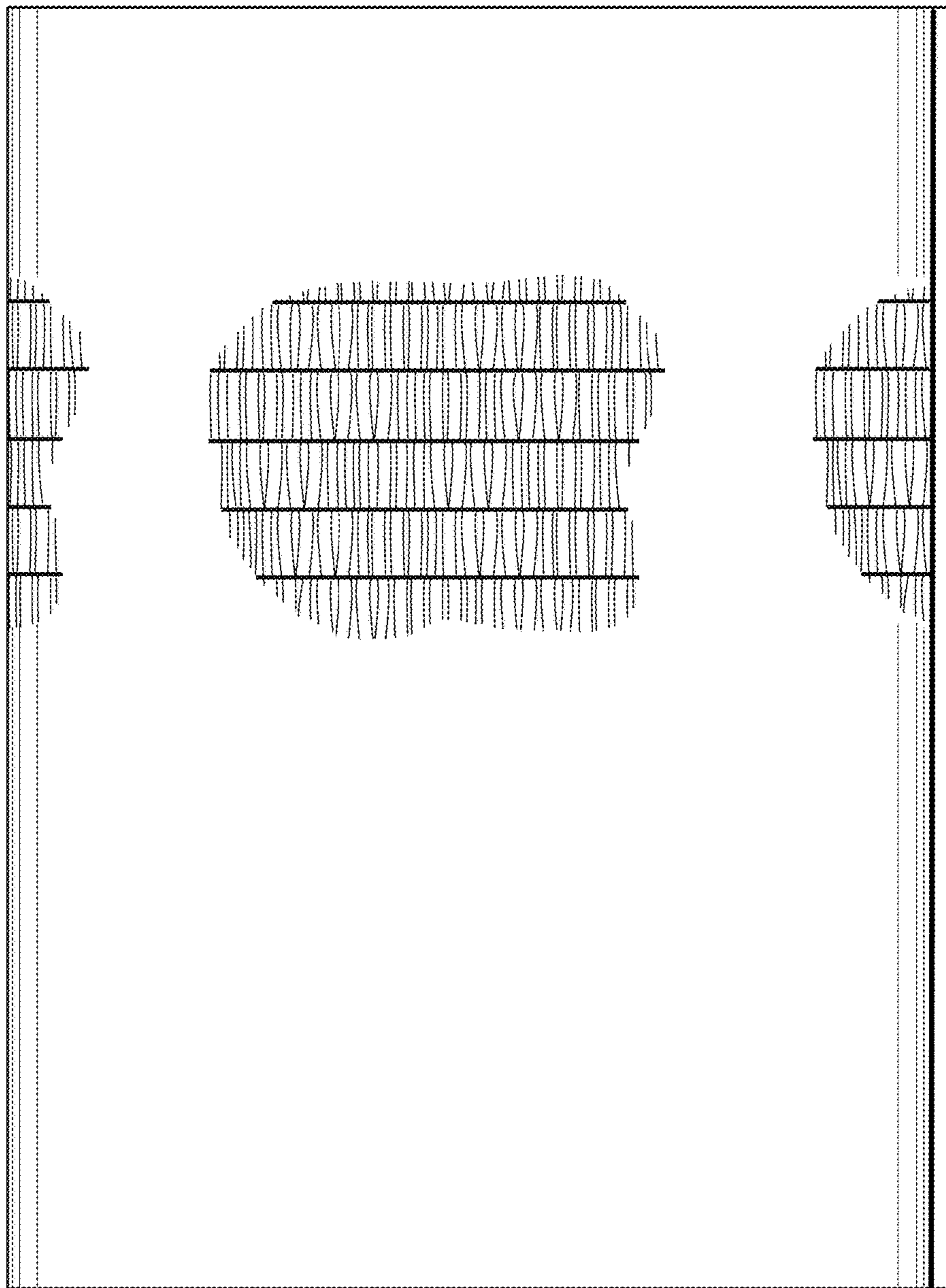


FIG. 23