



US00D861884S

(12) **United States Design Patent** (10) **Patent No.:** **US D861,884 S**
Moon et al. (45) **Date of Patent:** **** Oct. 1, 2019**

(54) **PROBE FOR ULTRASOUND DIAGNOSTIC UNIT**

(71) Applicant: **SAMSUNG MEDISON CO., LTD.**,
Hongcheon-gun (KR)

(72) Inventors: **Junpil Moon**, Seoul (KR); **Seungju Lee**, Seoul (KR)

(73) Assignee: **Samsung Medison Co., Ltd.**,
Hongcheon-gun (KR)

(**) Term: **15 Years**

(21) Appl. No.: **29/639,697**

(22) Filed: **Mar. 8, 2018**

(30) **Foreign Application Priority Data**

Sep. 8, 2017 (KR) 30-2017-0042154

(51) **LOC (12) Cl.** **24-02**

(52) **U.S. Cl.**
USPC **D24/187**

(58) **Field of Classification Search**
USPC D24/133, 137, 138, 141, 158, 160, 164,
D24/165, 167, 170, 186, 187, 200;
D10/57, 60, 78, 80

CPC ... A61B 5/0095; A61B 8/4444; A61B 8/4455;
G01S 7/5208

See application file for complete search history.

(56) **References Cited**

U.S. PATENT DOCUMENTS

D392,044 S * 3/1998 Mesaros D24/186
D681,824 S * 5/2013 Shinohara D24/186
D682,433 S * 5/2013 Shinohara D24/186
D701,608 S * 3/2014 Baba D24/187
D703,330 S * 4/2014 Saeki D24/187
D703,332 S * 4/2014 Saeki D24/187
D703,818 S * 4/2014 Moon D24/187

D703,819 S * 4/2014 Moon D24/187
D745,972 S * 12/2015 Kitayama D24/187
D749,224 S * 2/2016 Iritani D24/187
D811,607 S * 2/2018 Kitayama D24/187
D822,837 S * 7/2018 Naka D24/187

FOREIGN PATENT DOCUMENTS

JP D2016-12619 * 5/2016

OTHER PUBLICATIONS

Linear array ultrasound transducer / vascular / musculoskeletal / small parts. Online, published date unknown. Retrieved on May 30, 2019 from URL: <http://www.medicalexpo.com/prod/sonosite/product-79148-596755.html>.*

* cited by examiner

Primary Examiner — Susan Bennett Hattan

Assistant Examiner — Omeed Agilee

(74) *Attorney, Agent, or Firm* — Ladas & Parry LLP

(57) **CLAIM**

We claim the ornamental design for a probe for ultrasound diagnostic unit, as shown and described.

DESCRIPTION

FIG. 1 is the front perspective view of a probe for ultrasound diagnostic unit showing our new design;
FIG. 2 is the front view thereof;
FIG. 3 is the rear view thereof;
FIG. 4 is the left-side view thereof;
FIG. 5 is the right-side view thereof;
FIG. 6 is the top view thereof;
FIG. 7 is the bottom view thereof; and,
FIG. 8 is the bottom perspective view thereof.
The broken lines depict portions of a probe for ultrasound diagnostic unit that form no part of the claimed design.

1 Claim, 6 Drawing Sheets

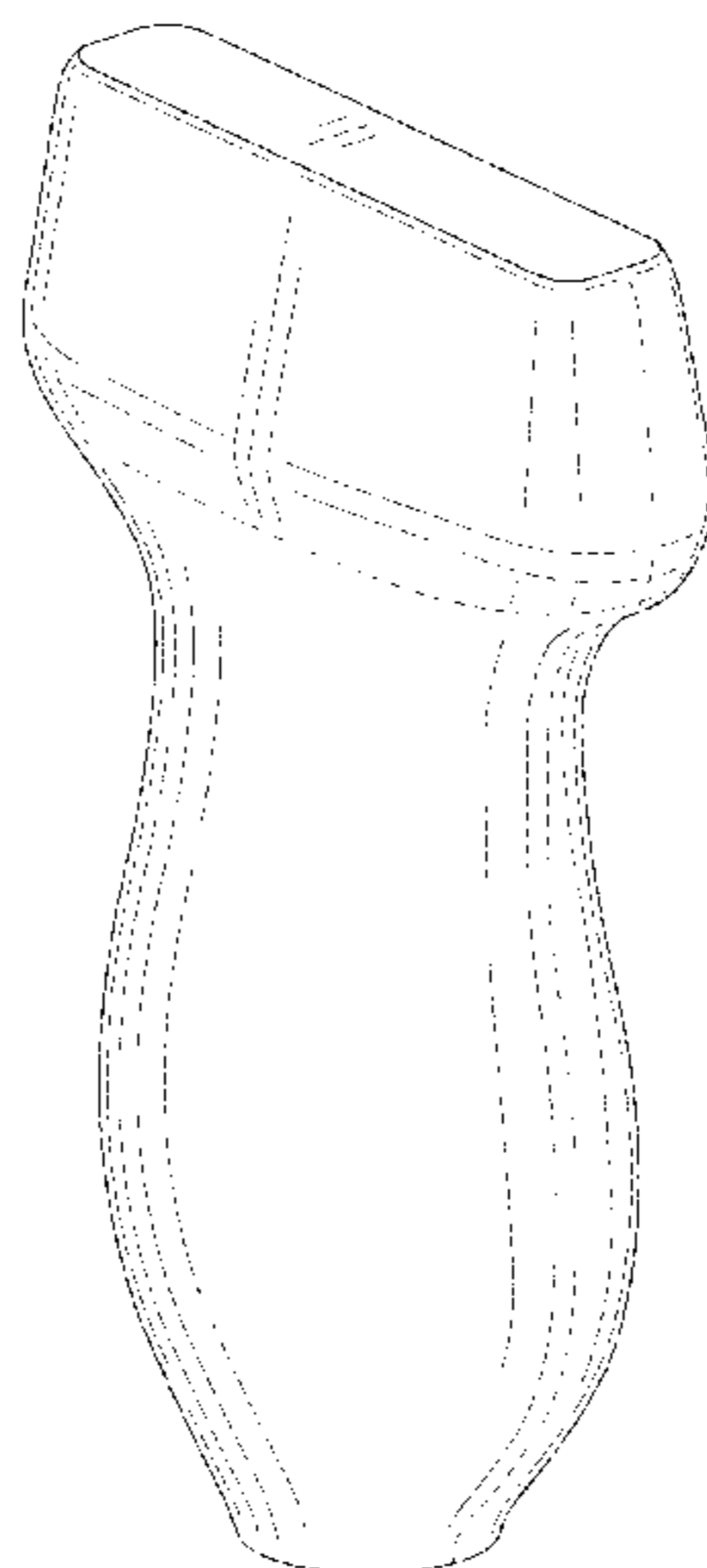


FIG. 1

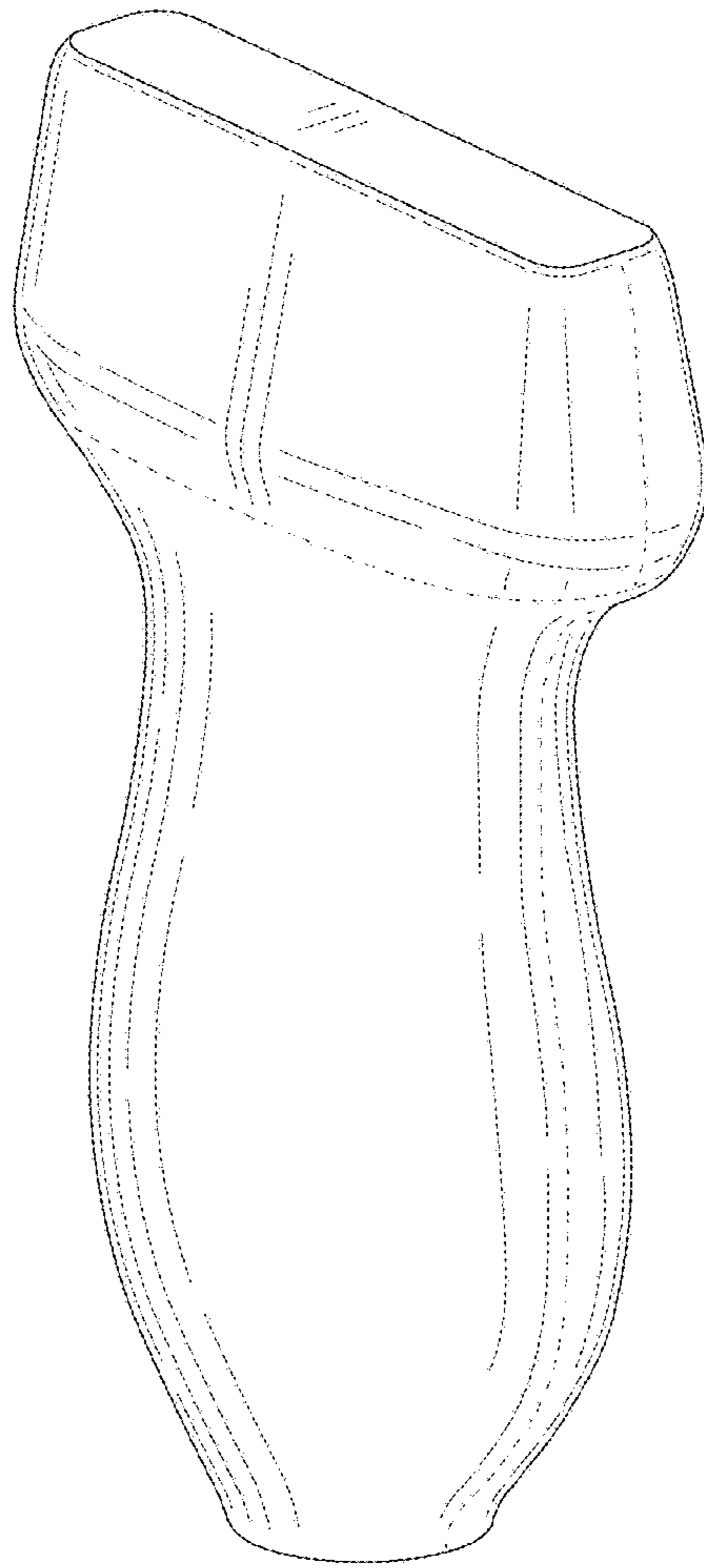


FIG. 2

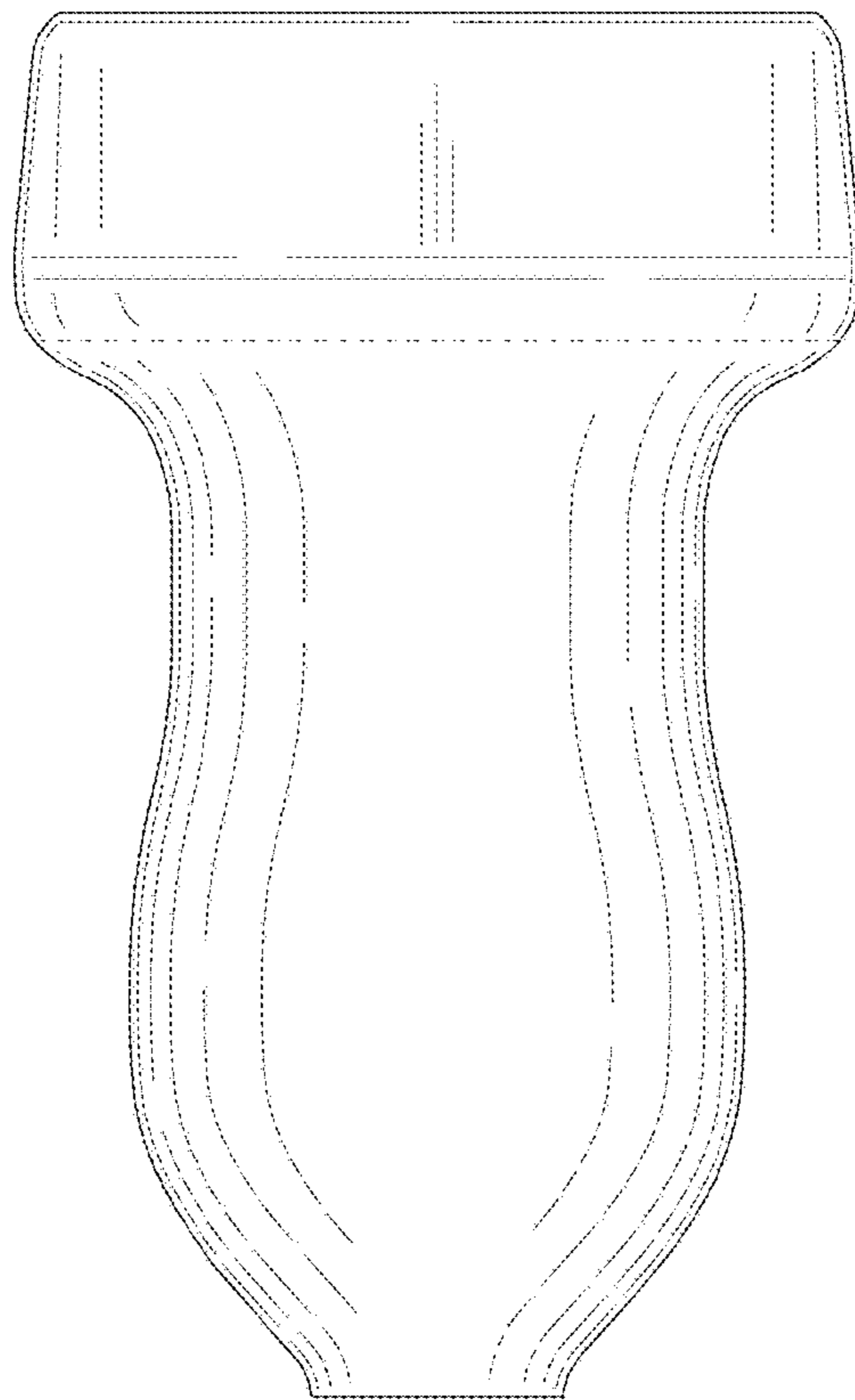


FIG. 3

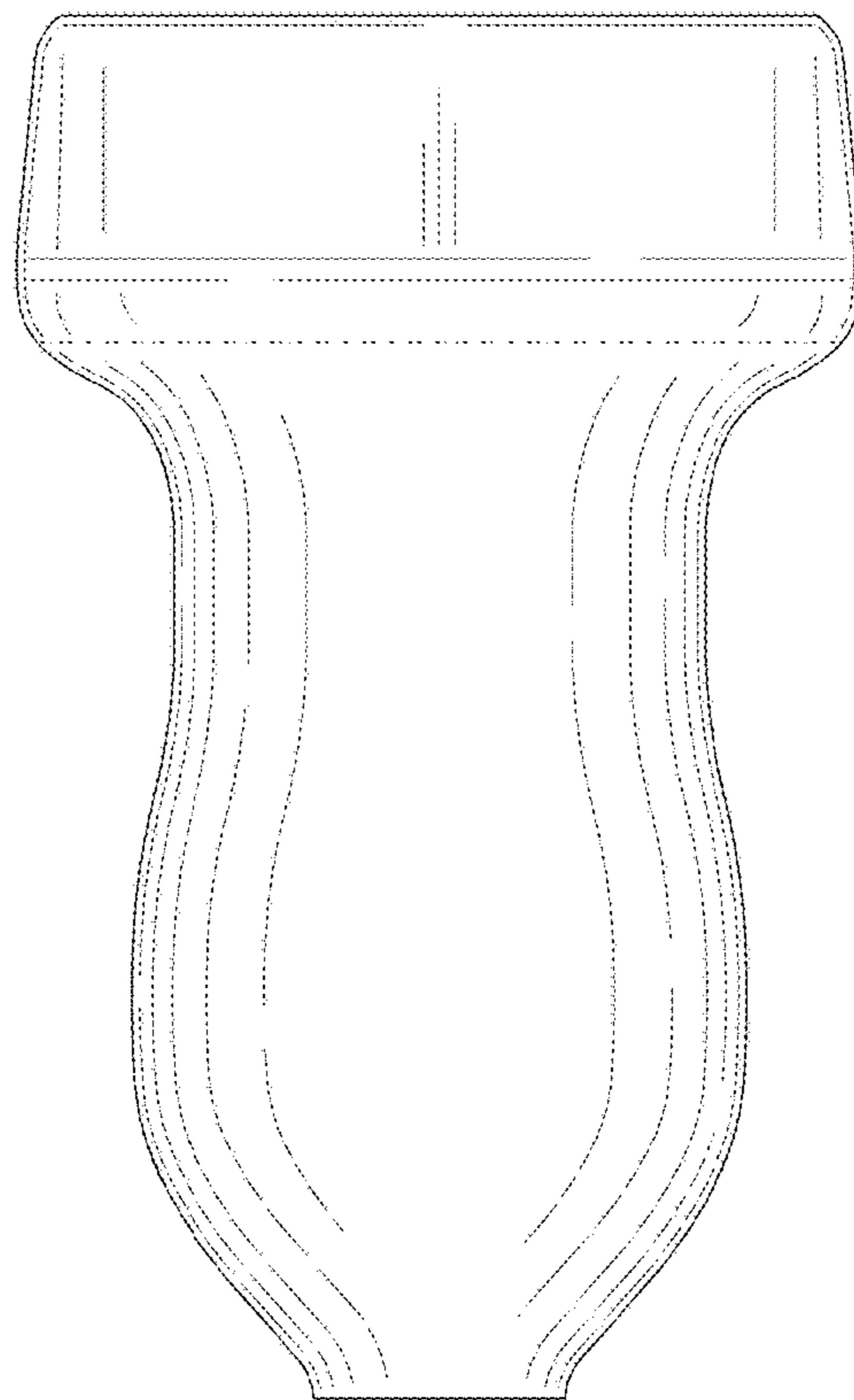


FIG. 4

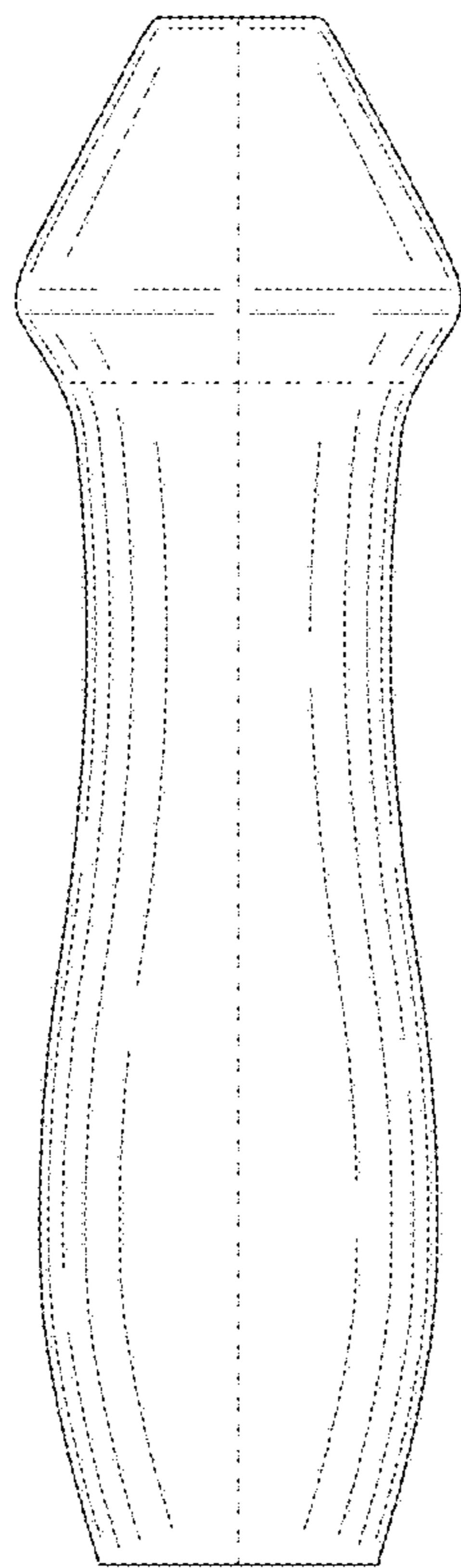


FIG. 5

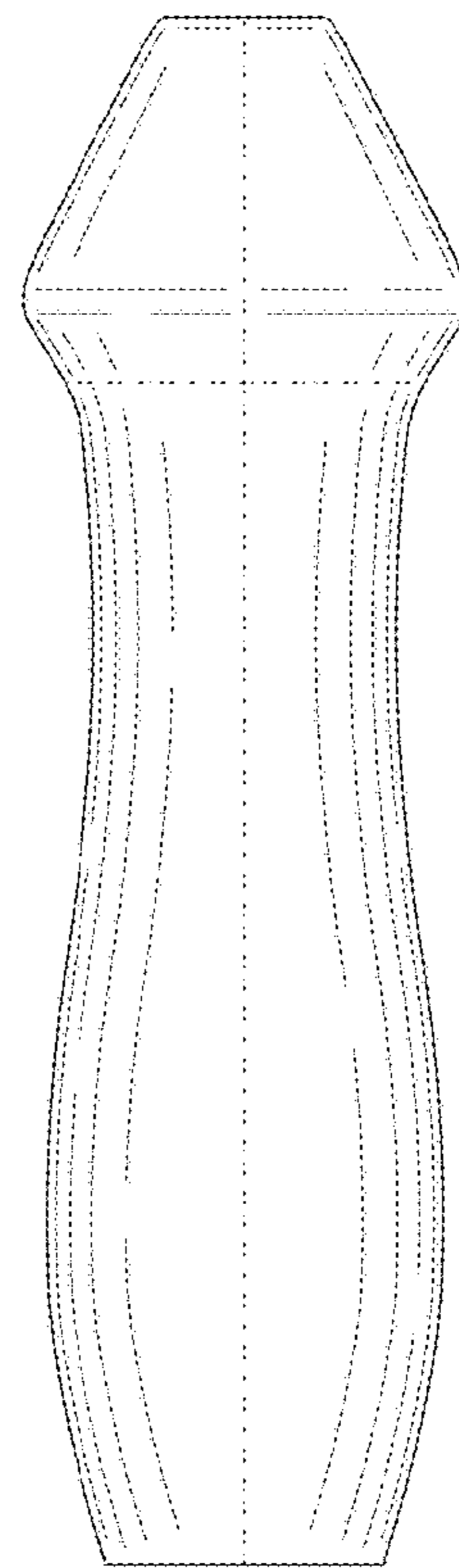


FIG. 6

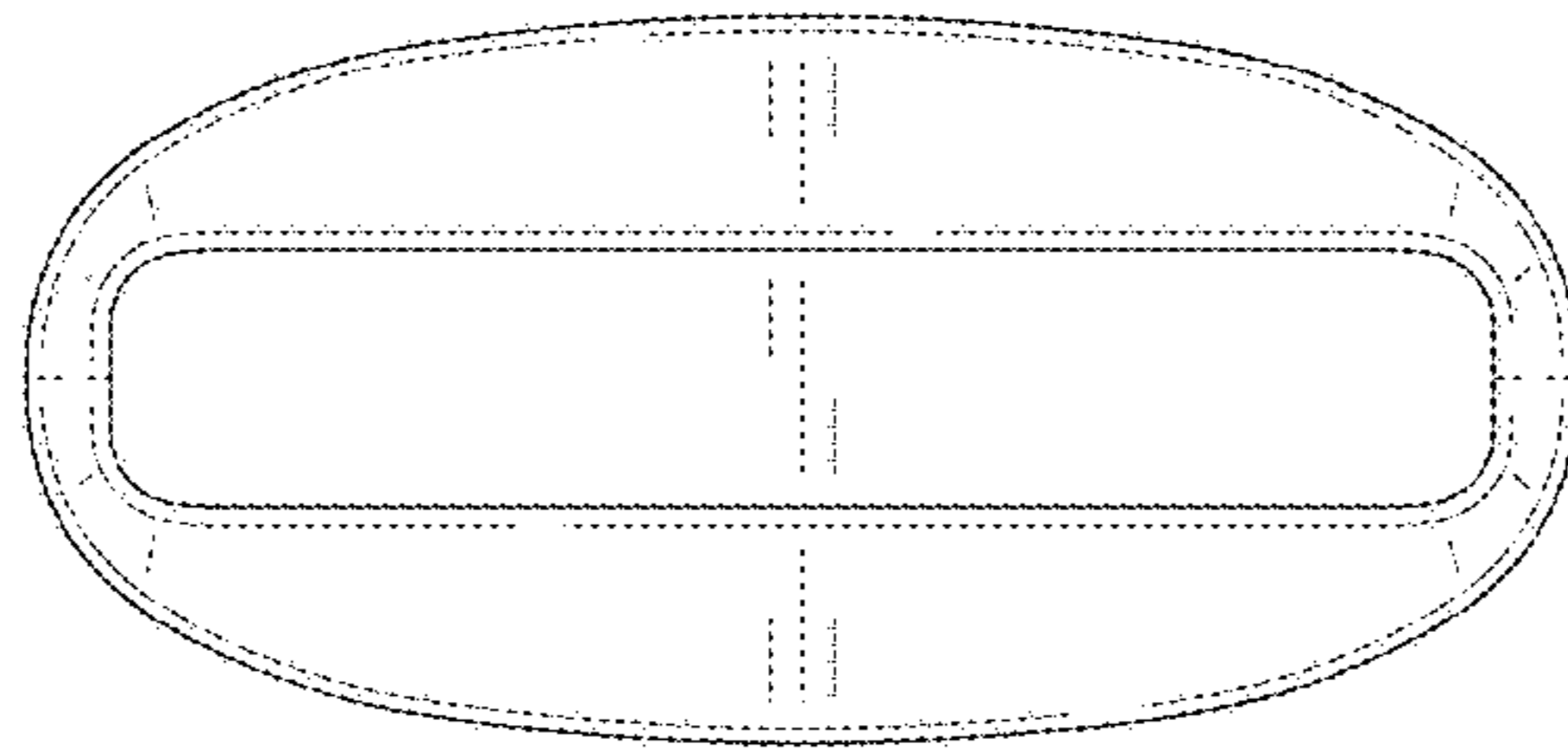


FIG. 7

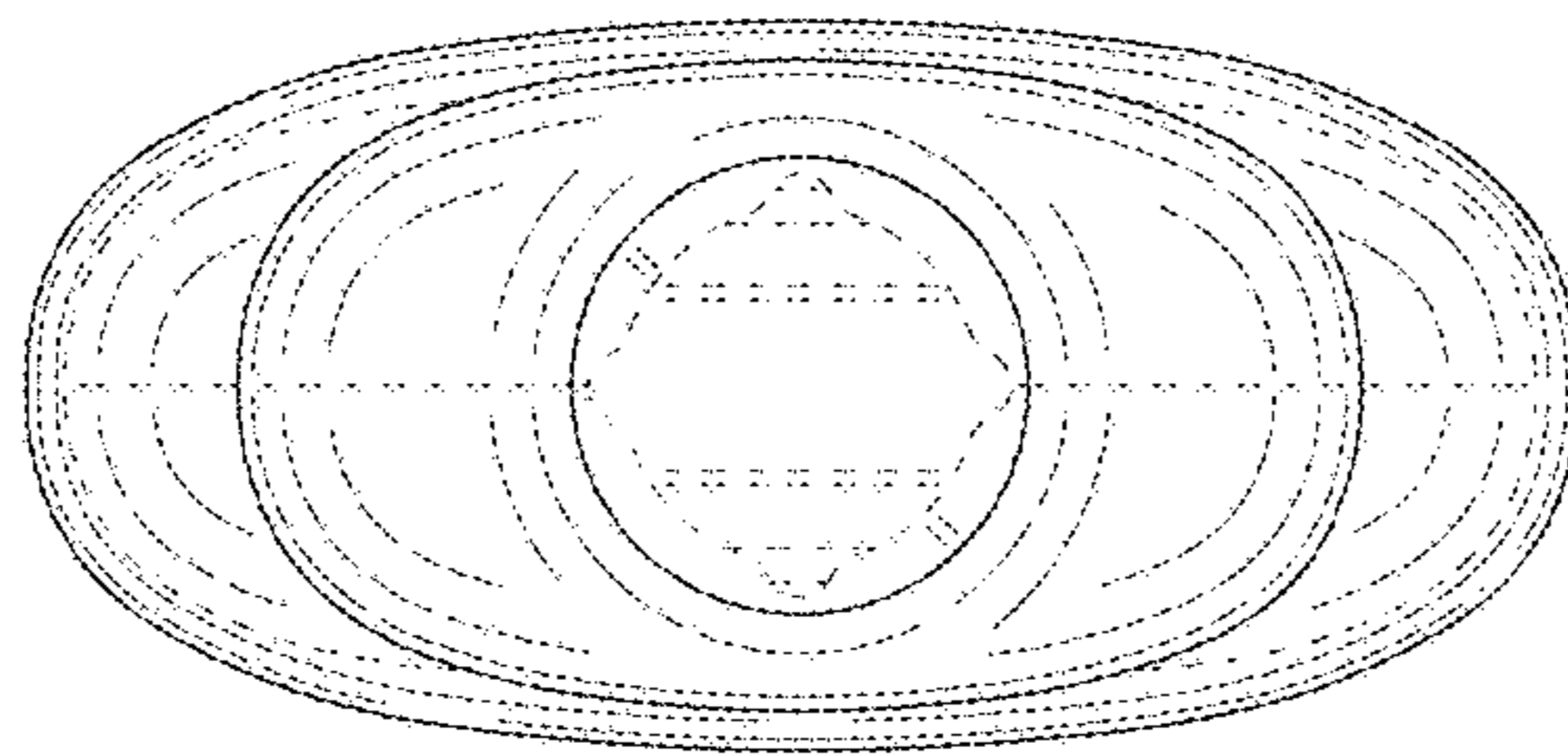


FIG. 8

