



US00D861883S

(12) **United States Design Patent**  
**Verbrugge**

(10) **Patent No.: US D861,883 S**

(45) **Date of Patent: \*\* Oct. 1, 2019**

(54) **ELECTRONIC DATA TRANSMISSION BAND**

(56) **References Cited**

(71) Applicant: **KONINKLIJKE PHILIPS N.V.**,  
Eindhoven (NL)

U.S. PATENT DOCUMENTS

(72) Inventor: **Frank Verbrugge**, Rosmalen (NL)

D672,255 S \* 12/2012 Zanella ..... D10/32  
D720,249 S \* 12/2014 Park ..... D11/3

(73) Assignee: **KONINKLIJKE PHILIPS N.V.**,  
Eindhoven (NL)

(Continued)

(\*\*) Term: **15 Years**

OTHER PUBLICATIONS

(21) Appl. No.: **35/504,187**

Philips Health band—L/XL, announced 2017 [online], [retrieved Oct. 2, 2018]. Available from Internet, URL: <[http://download.p4c.philips.com/files/d/dl7412\\_21/dl7412\\_21\\_pss\\_.pdf](http://download.p4c.philips.com/files/d/dl7412_21/dl7412_21_pss_.pdf)> (Year: 2017).\*

(22) Filed: **Jun. 19, 2017**

(Continued)

(80) **Hague Agreement Data**

*Primary Examiner* — Barbara Fox  
*Assistant Examiner* — Dana K Weiland

Int. Filing Date: **Jun. 19, 2017**

Int. Reg. No.: **DM/097053**

Int. Reg. Date: **Jun. 19, 2017**

Int. Reg. Pub. Date: **Dec. 22, 2017**

(57) **CLAIM**

The ornamental design for an electronic data transmission band, as shown and described.

(30) **Foreign Application Priority Data**

Dec. 30, 2016 (EM) ..... 003560002-0001

**DESCRIPTION**

(51) **LOC (12) Cl.** ..... **24-02**

(52) **U.S. Cl.**

USPC ..... **D24/186**; D14/344

(58) **Field of Classification Search**

USPC ..... D14/344, 203.5, 203.6; D10/65, 70, 78,  
D10/97, 98, 30-39; D24/167, 168, 186;  
D11/3

CPC .. G04B 19/00-34; G04B 21/12; G04B 23/12;  
G04B 37/00-228; G04B 47/00-068;  
G01C 17/00; G01C 21/00-3697; G01C  
22/00-025; G01C 23/00-005; G01C  
21/16; G06F 19/3481; G06F 3/00-027;  
G01P 1/00; G01P 1/02; G01P 1/06; G01P  
15/00-18; A63B 24/00-2024/0096; A63B  
2213/00; A63B 69/0028; A63B  
2071/0658-0666; A63B 2220/00-89;  
A63B 2225/02; A63C 11/02;

The patent or application file contains at least one drawing executed in color. Copies of this patent or patent application publication with color drawing(s) will be provided by the Office upon request and payment of the necessary fee.

1. Electronic data transmission band

**1.1** is a perspective view of an electronic data transmission band showing the new design;

**1.2** is a front elevational view thereof;

**1.3** is a rear elevational view thereof;

**1.4** is a left side elevational view thereof;

**1.5** is a right side elevational view thereof;

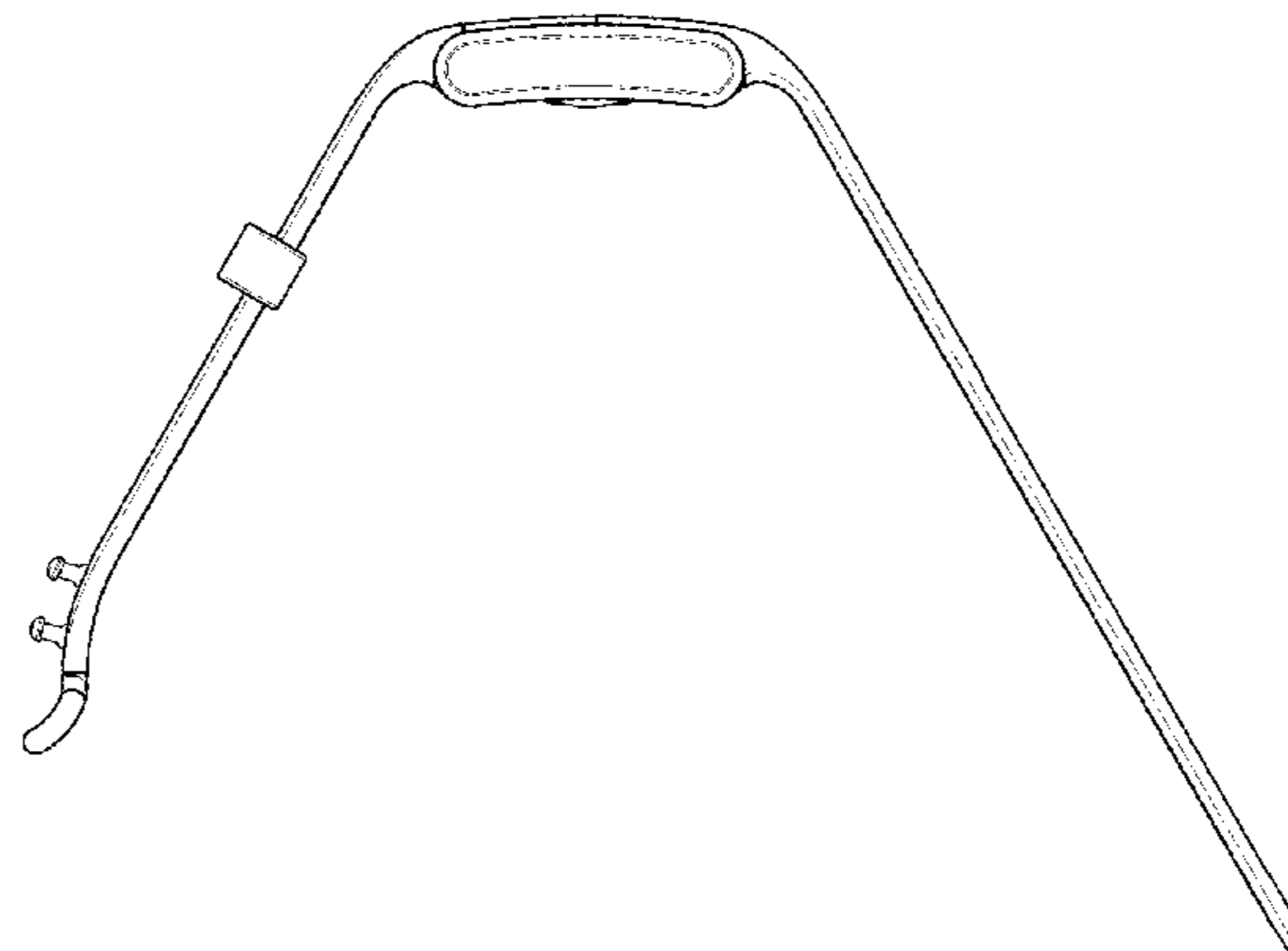
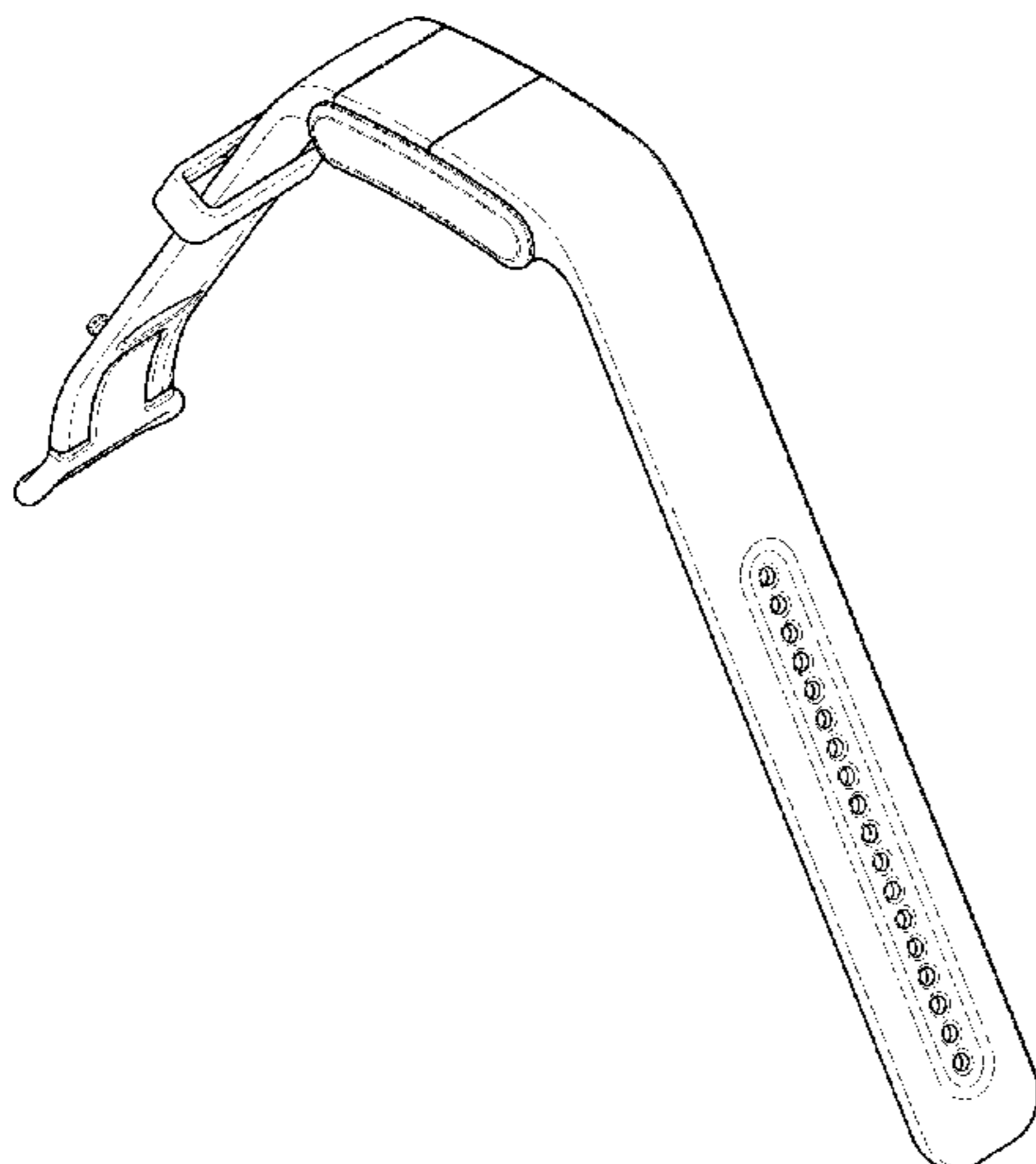
**1.6** is a top plan view thereof; and

**1.7** is a bottom plan view thereof.

The portions of the electronic data transmission band shown in yellow highlight form no part of the claimed design.

(Continued)

**1 Claim, 5 Drawing Sheets**  
**(1 of 5 Drawing Sheet(s) Filed in Color)**



(58) **Field of Classification Search**  
 CPC .... A61B 5/681; A61B 5/6824; A61B 5/6825;  
 A61B 5/6826  
 See application file for complete search history.

(56) **References Cited**

U.S. PATENT DOCUMENTS

D727,183 S	*	4/2015	Park	.....	D10/70
D747,714 S	*	1/2016	Erbeus	.....	D10/32
D778,044 S	*	2/2017	Lee	.....	D3/218
D779,989 S	*	2/2017	Lee	.....	D10/70
D787,960 S	*	5/2017	Park	.....	D10/39
D788,608 S	*	6/2017	Houin	.....	D10/38
D800,596 S	*	10/2017	Ling	.....	D11/5
D804,335 S	*	12/2017	Bihan	.....	D10/70
D805,643 S	*	12/2017	Wu	.....	D24/167
D808,385 S	*	1/2018	Yuan	.....	D14/344
D808,962 S	*	1/2018	Wu	.....	D14/344
D809,144 S	*	1/2018	Wu	.....	D24/167
D810,734 S	*	2/2018	Rochat	.....	D14/344

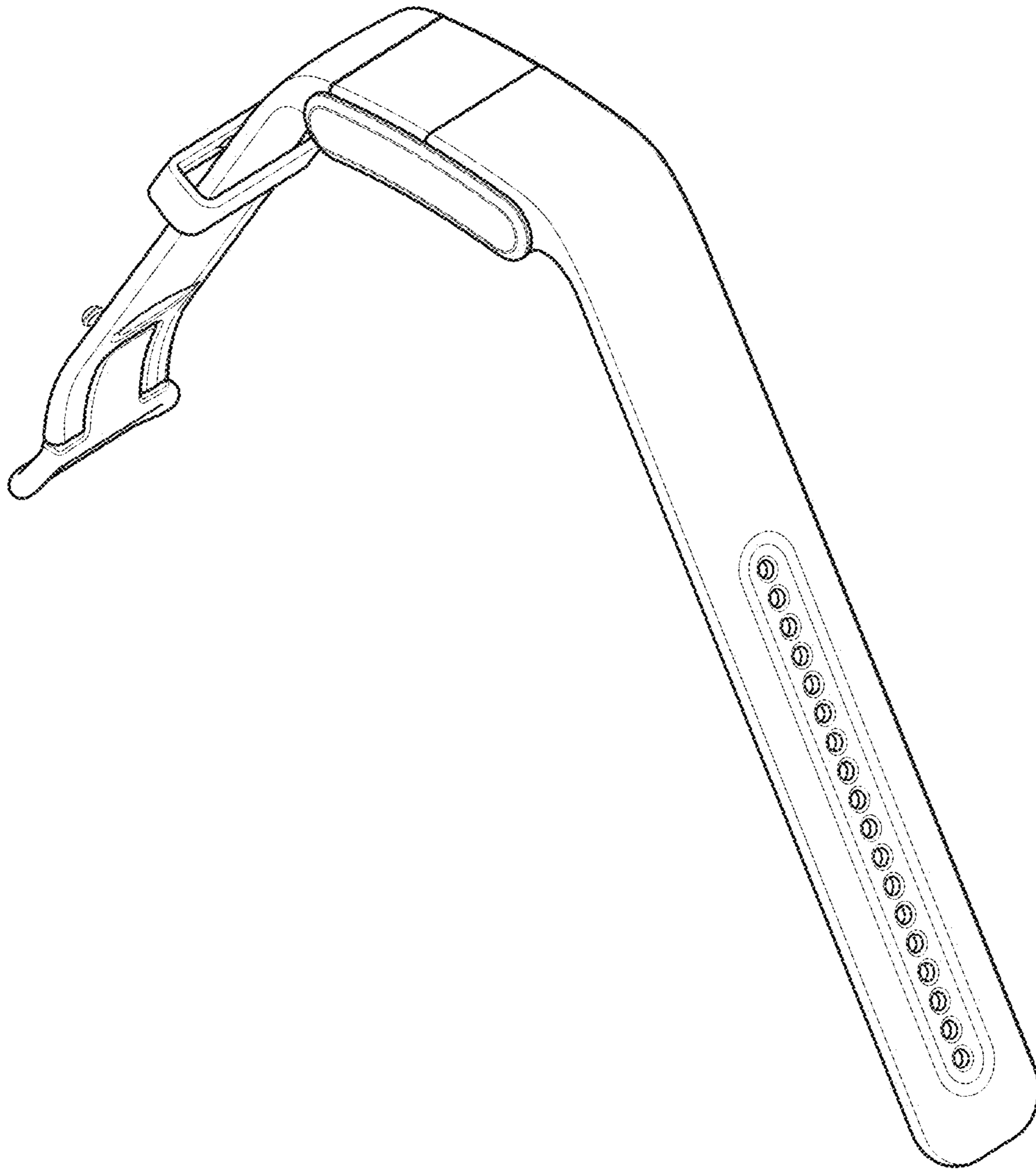
D816,668 S	*	5/2018	Wu	.....	D14/344
D822,836 S	*	7/2018	Wu	.....	D24/186
D826,763 S	*	8/2018	Chuang	.....	D11/3
D829,713 S	*	10/2018	Komulainen	.....	D14/344
D831,644 S	*	10/2018	Wu	.....	D14/344
D833,412 S	*	11/2018	Guan	.....	D14/186
D833,625 S	*	11/2018	Guan	.....	D24/186
D840,043 S	*	2/2019	Li	.....	D24/186
D841,171 S	*	2/2019	Li	.....	D24/186
D846,747 S	*	4/2019	Lillquist	.....	D24/186

OTHER PUBLICATIONS

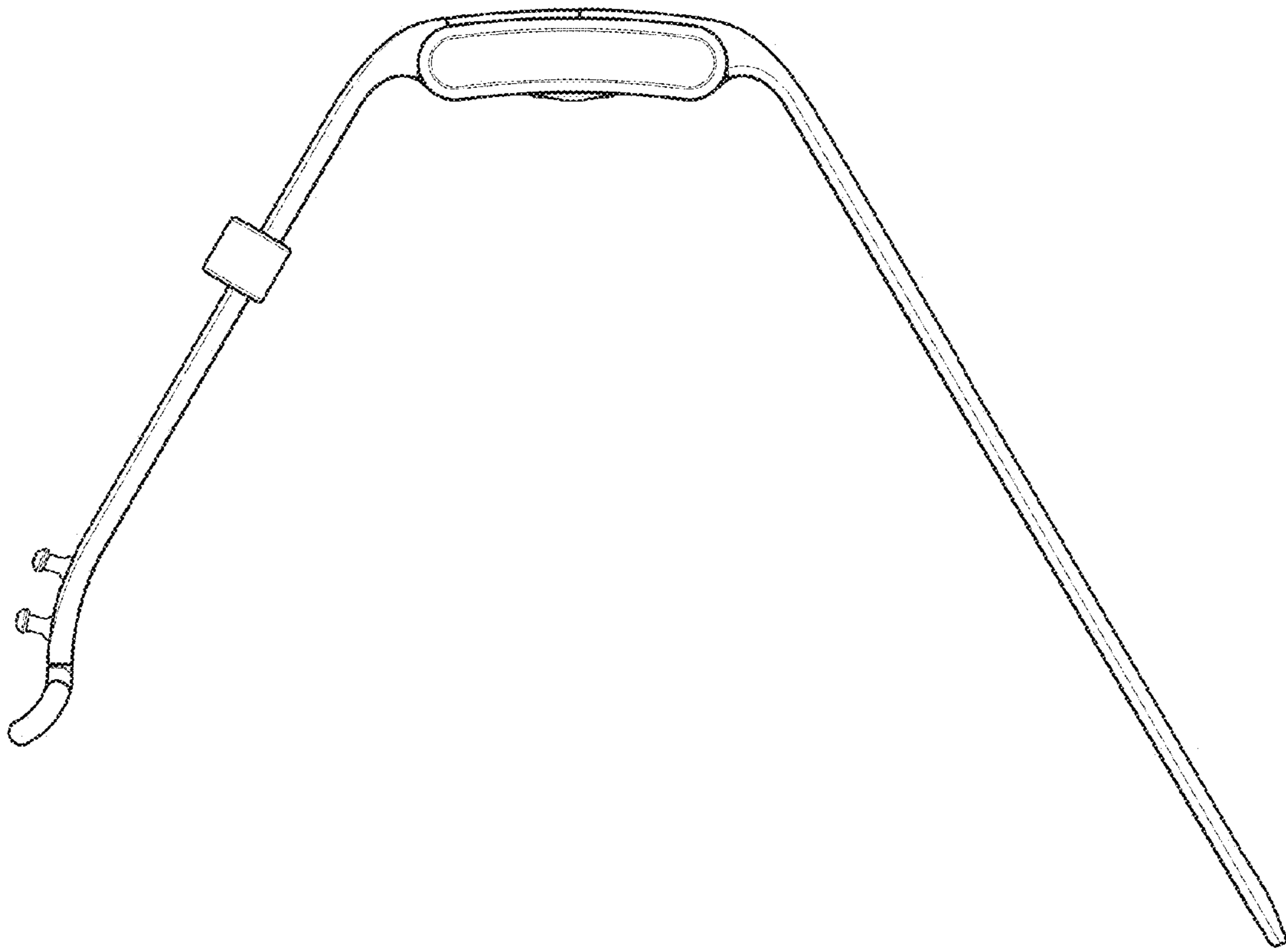
Health Band for Philips, announced 2017 [online], [retrieved Oct. 12, 2018]. Available from Internet, URL: <<http://www.prode-e.nl/portfolio/health-band-for-philips.html>> (Year: 2017).\*

Amazfit Health Band with ECG and heart rate variability announced, announced Apr. 26, 2017 [online], [retrieved Oct. 12, 2018]. Available from Internet, URL: <<https://gadgetsandwearables.com/2017/04/26/amazfit-health/>> (Year : 2017).\*

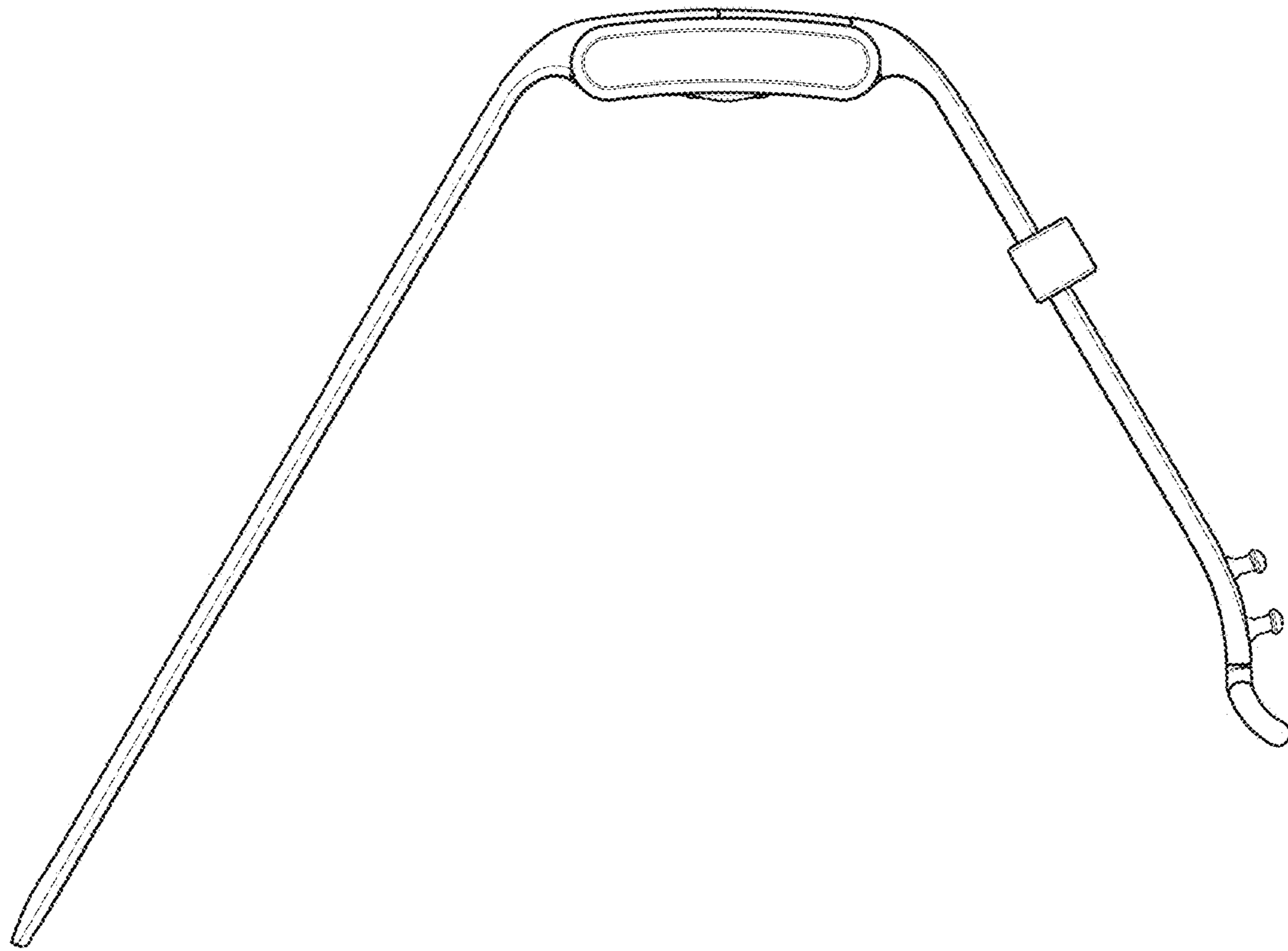
\* cited by examiner



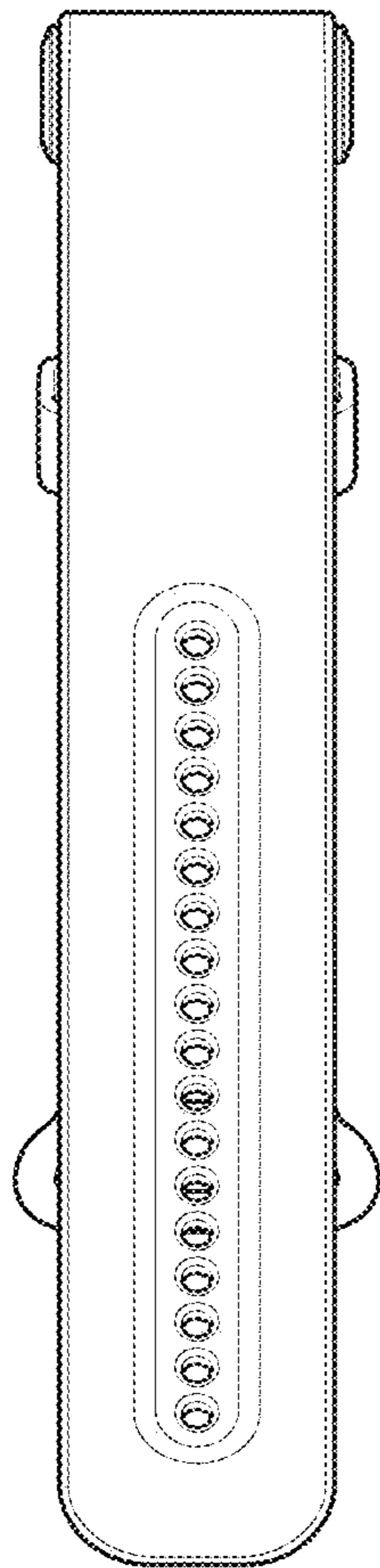
1.1



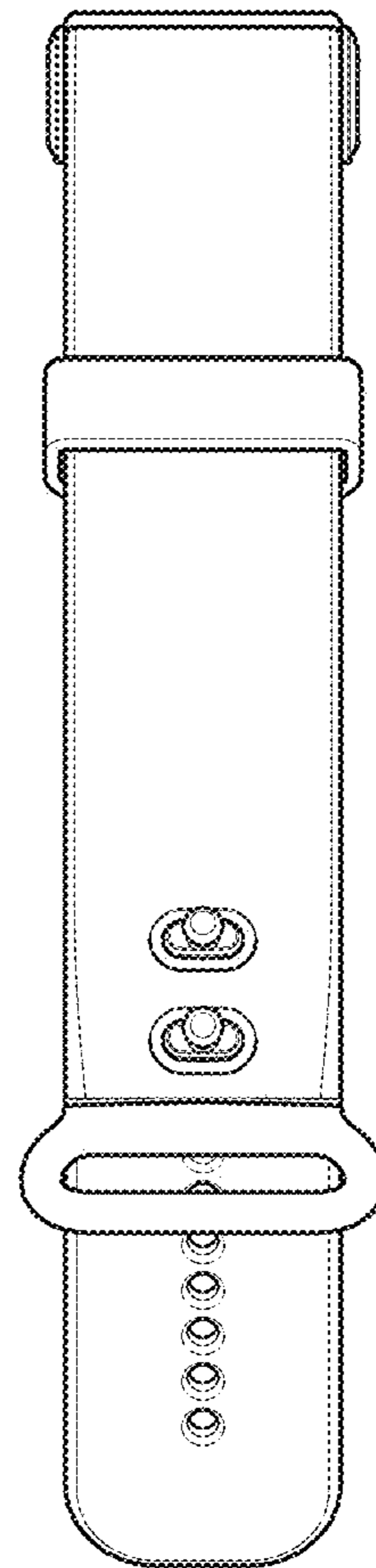
1.2



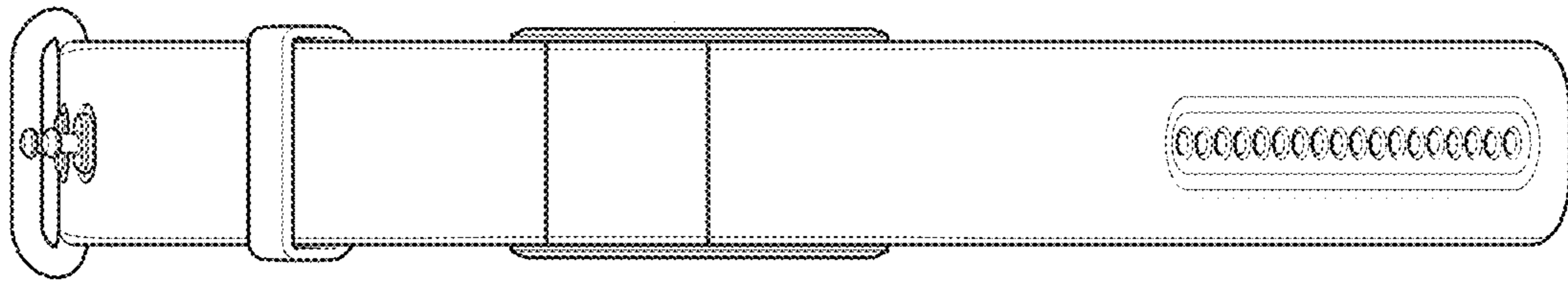
1.3



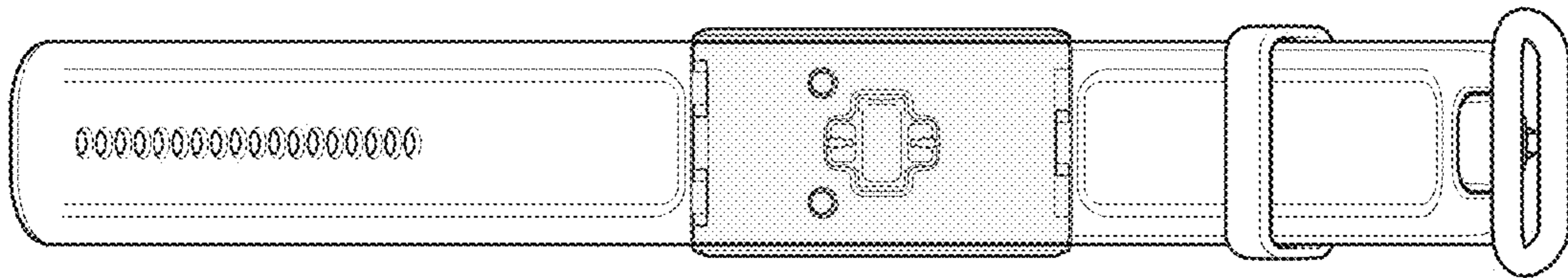
1.4



1.5



1.6



1.7