



US00D861881S

(12) **United States Design Patent** (10) **Patent No.:** **US D861,881 S**
Braun (45) **Date of Patent:** **** Oct. 1, 2019**

(54) **WEARABLE ARTICLE FOR TRACKING MEDICAL-RELATED EVENTS**

(71) Applicant: **Lauren R. Braun**, New York, NY (US)

(72) Inventor: **Lauren R. Braun**, New York, NY (US)

(**) Term: **15 Years**

(21) Appl. No.: **29/604,674**

(22) Filed: **May 19, 2017**

(51) **LOC (12) Cl.** **24-01**

(52) **U.S. Cl.**
USPC **D24/186**

(58) **Field of Classification Search**
USPC D24/164–168, 186, 107, 231;
D10/30–32, 75, 70, 98, 103; D14/344,
D14/138 R, 138 AA; D11/3, 4, 87
CPC G04G 21/024; G04G 17/08; G04G 17/083;
A44C 5/0015; A44C 5/0023; G09F 3/005;
A61B 5/681; A61B 90/90; A61B 90/94
See application file for complete search history.

(56) **References Cited**

U.S. PATENT DOCUMENTS

2,528,259	A	10/1950	Annunziata	
6,880,364	B1	4/2005	Vidolin et al.	
D533,085	S *	12/2006	Mourgue	D10/32
D546,225	S *	7/2007	Brown	D11/4
D546,227	S *	7/2007	Brown	D11/4
7,331,707	B2	2/2008	DelValle	
7,481,370	B2	1/2009	Davis	
D591,633	S	5/2009	Del Valle	
7,542,379	B2	6/2009	Kimel et al.	
D600,571	S *	9/2009	Singer	D10/32
D617,231	S	6/2010	Adamson	
7,921,583	B2	4/2011	Londino	
7,942,674	B2	5/2011	Murphy	
8,040,668	B1	10/2011	Alkire, III	
8,181,371	B2	5/2012	Londino	

8,336,239	B2	12/2012	McDermott et al.	
D682,725	S *	5/2013	Reeder	D11/4
D711,002	S *	8/2014	Ohnemus	D24/186
D732,404	S *	6/2015	Bond-Awls	D10/32
9,089,190	B2	7/2015	Booker	
9,633,578	B2	4/2017	Braun	

(Continued)

OTHER PUBLICATIONS

Vaccine reminder bracelets: Lauren Braun's Story. London School of Hygiene & Tropica Medicine. Posted on Aug. 19, 2015.*

(Continued)

Primary Examiner — Anhdao Doan

(74) *Attorney, Agent, or Firm* — Indiana University Maurer School of Law IP Legal Clinic

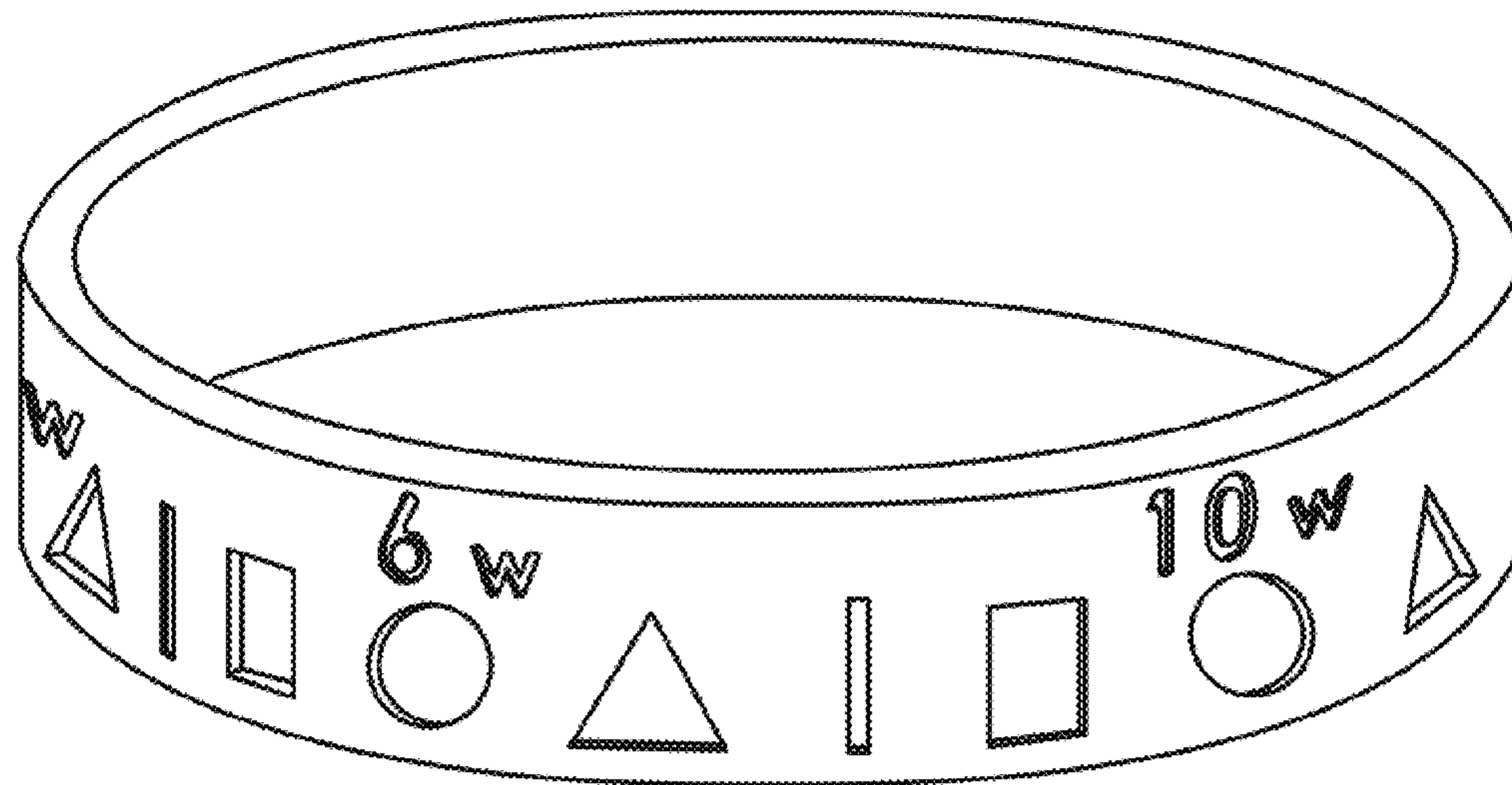
(57) **CLAIM**

I claim the ornamental design for a wearable article for tracking medical-related events, as shown and described.

DESCRIPTION

FIG. 1 is a front perspective view of a wearable article for tracking medical-related events of the present disclosure; FIG. 2 is a top view of the wearable article for tracking medical-related events of FIG. 1; FIG. 3 is a bottom view of the wearable article for tracking medical-related events of FIG. 1; FIG. 4 is a front view of the wearable article for tracking medical-related events of FIG. 1; FIG. 5 is a back view of the wearable article for tracking medical-related events of FIG. 1; FIG. 6 is a right side view of the wearable article for tracking medical-related events of FIG. 1; and, FIG. 7 is a left side view of the wearable article for tracking medical-related events of FIG. 1.

1 Claim, 2 Drawing Sheets



(56)

References Cited

U.S. PATENT DOCUMENTS

2003/0111005 A1 6/2003 Lord et al.
2005/0091896 A1 5/2005 Kotik et al.
2007/0297293 A1 12/2007 DelValle et al.
2008/0028654 A1 2/2008 Cardon
2008/0266118 A1 10/2008 Pierson et al.
2009/0265971 A1 10/2009 Cook
2011/0061424 A1* 3/2011 Gupta G04F 1/005
63/1.13
2012/0186121 A1 7/2012 Hanssen
2013/0055607 A1* 3/2013 Braun G09F 3/005
40/633
2014/0174124 A1* 6/2014 Duggal A44C 5/0015
63/5.1

OTHER PUBLICATIONS

Bracelet to encourage child immunisation. Judd-Leonard Okafor.
May 28, 2017.*

International Application No. PCT/US2011/033967 International
Search Report and Written Opinion, published Apr. 5, 2012, p. 2,
publication No. WO 2011/139701 A3.

* cited by examiner

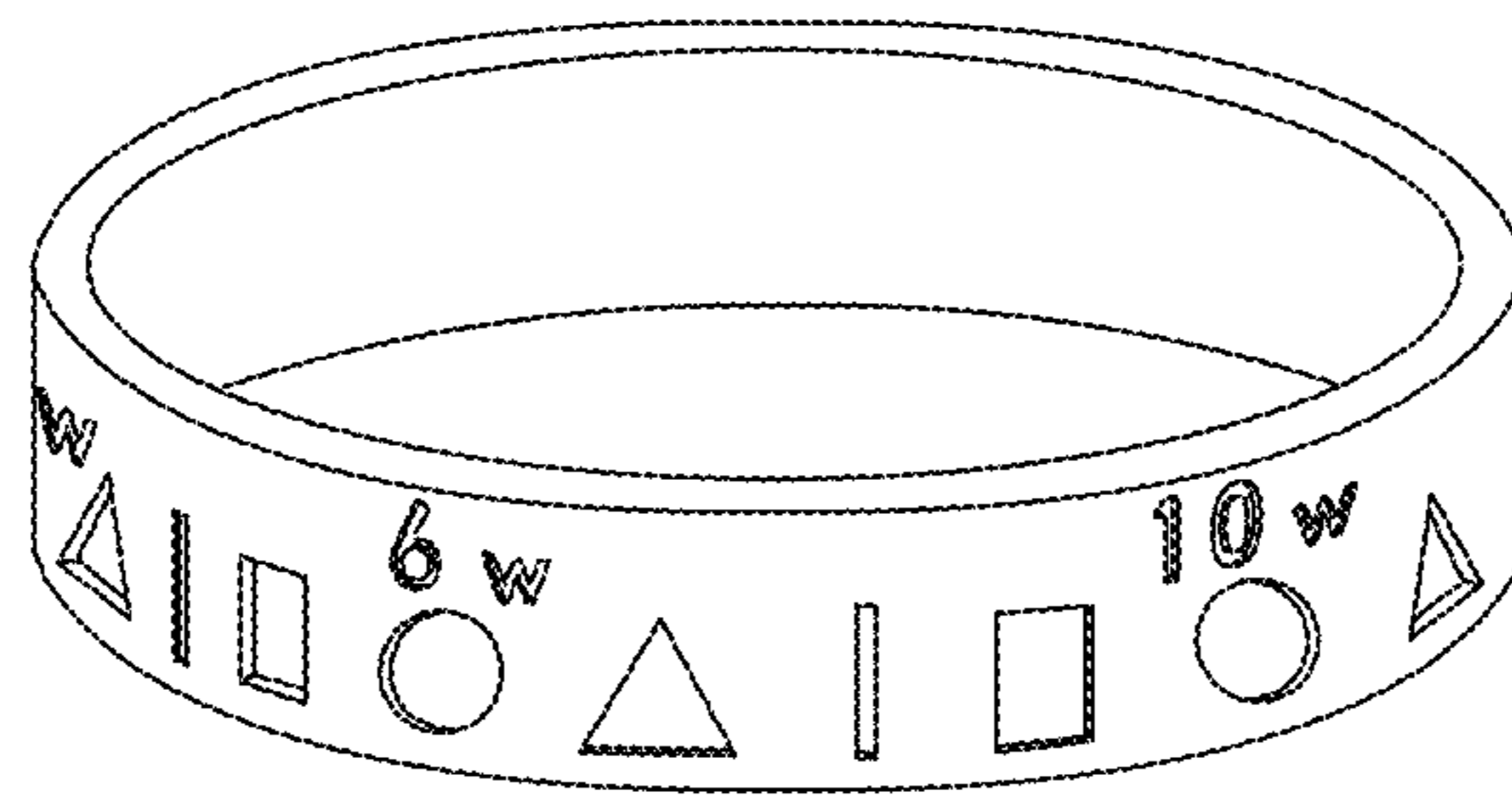


FIG. 1

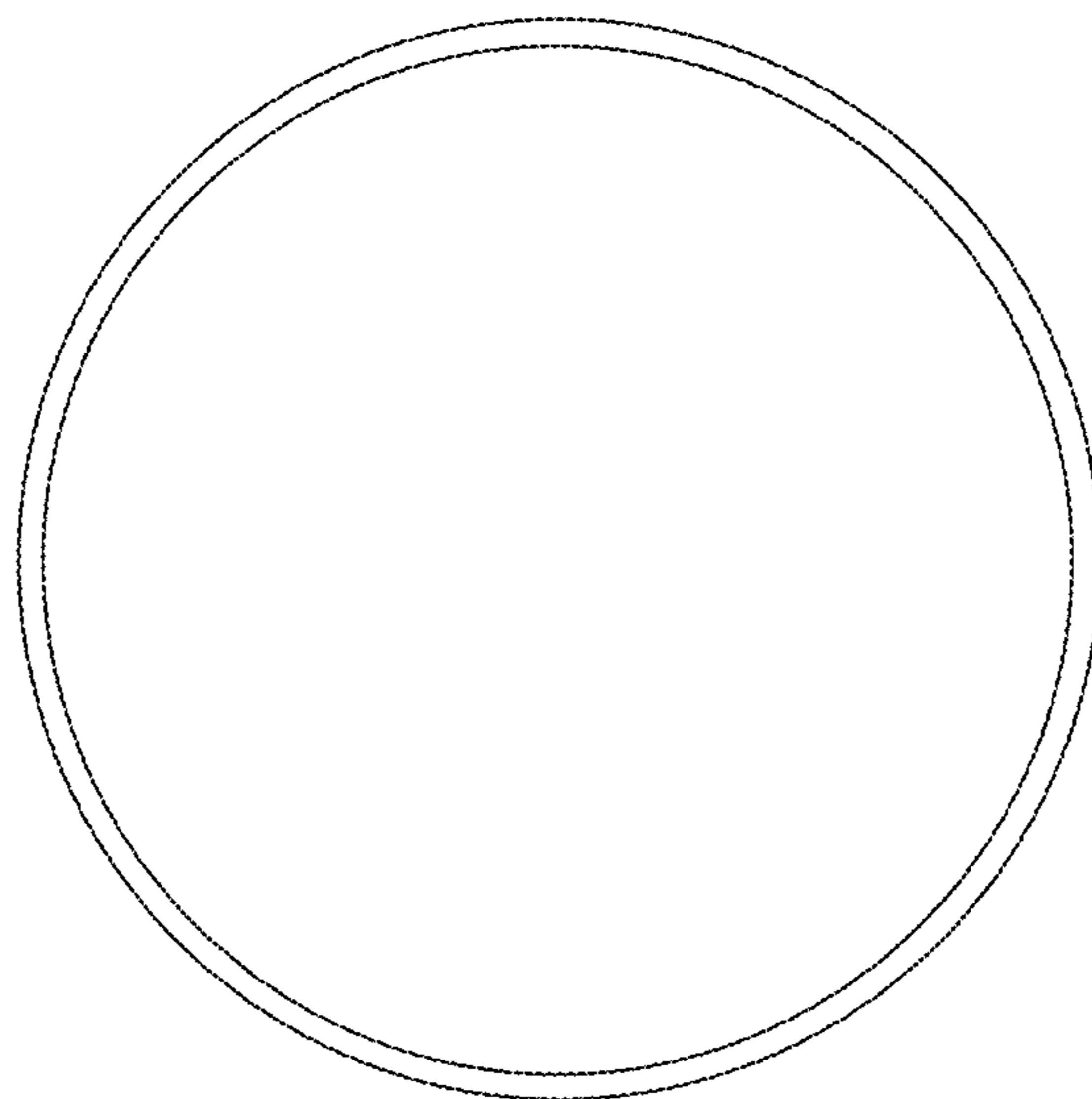


FIG. 2

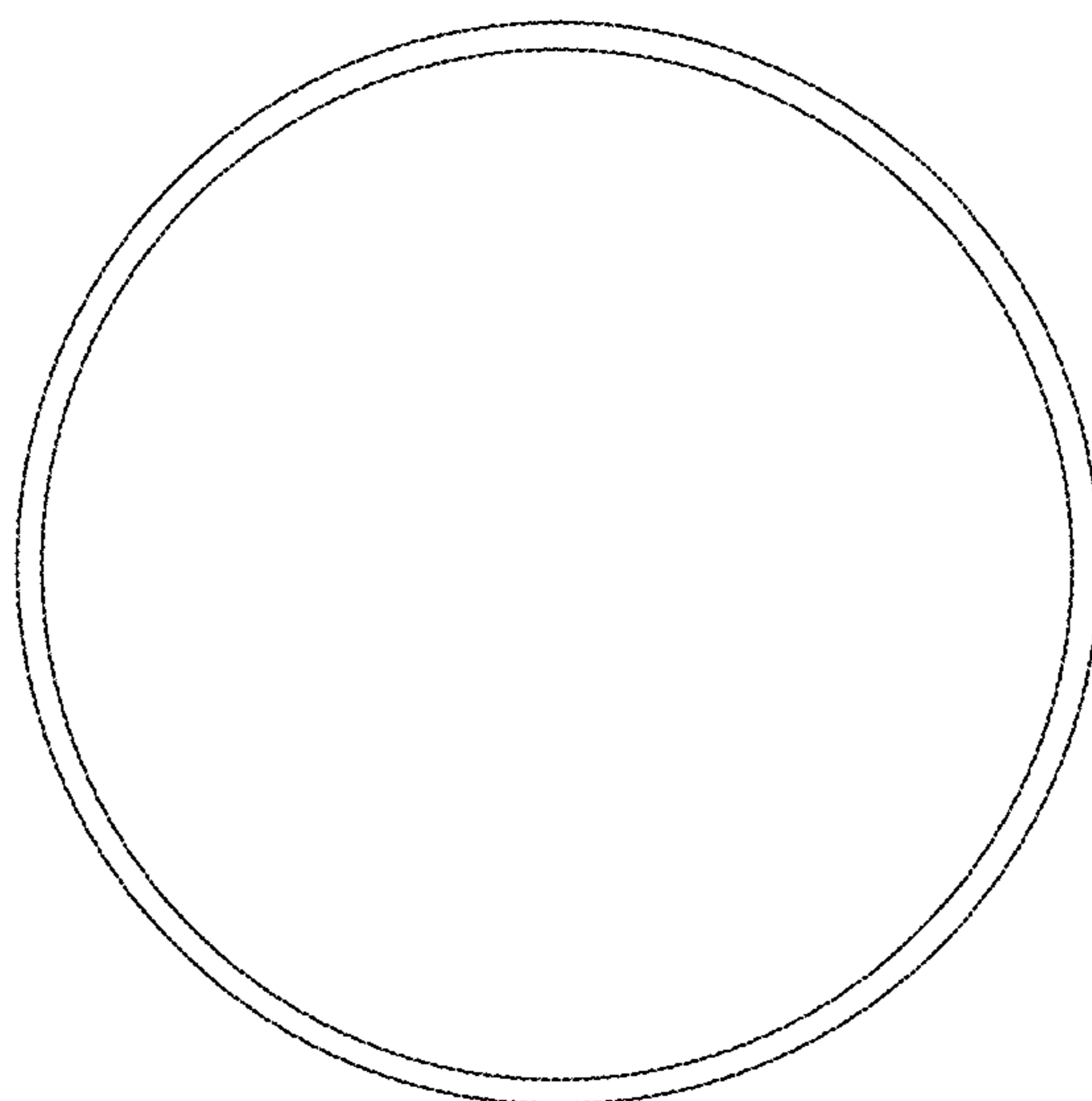


FIG. 3

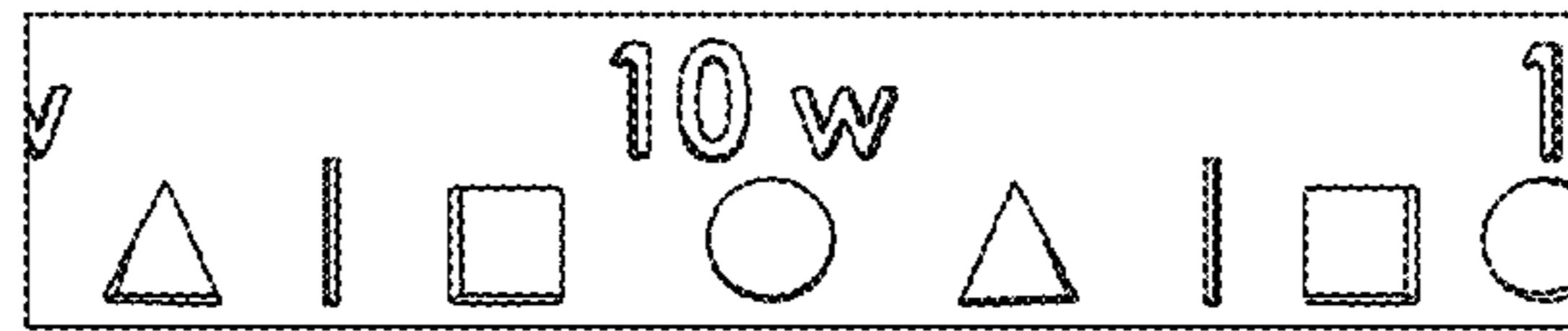


FIG. 4

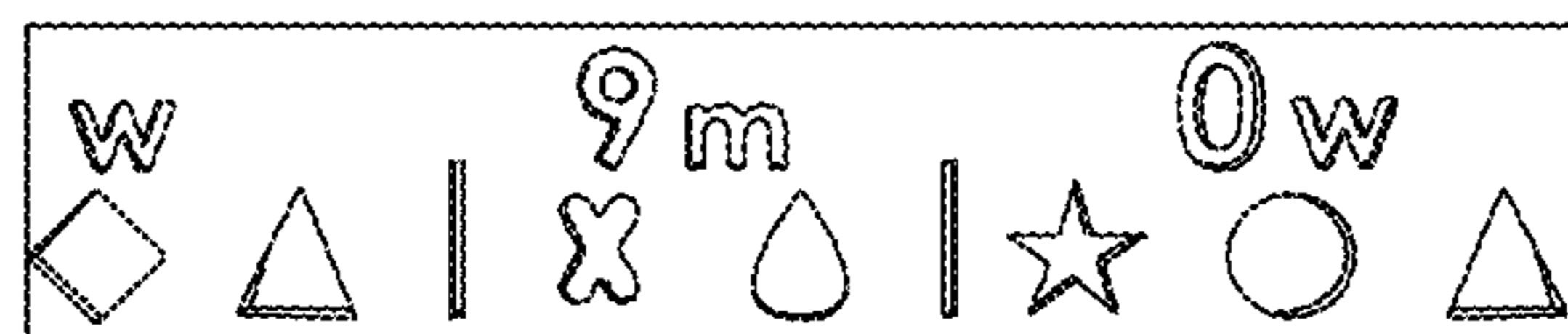


FIG. 5

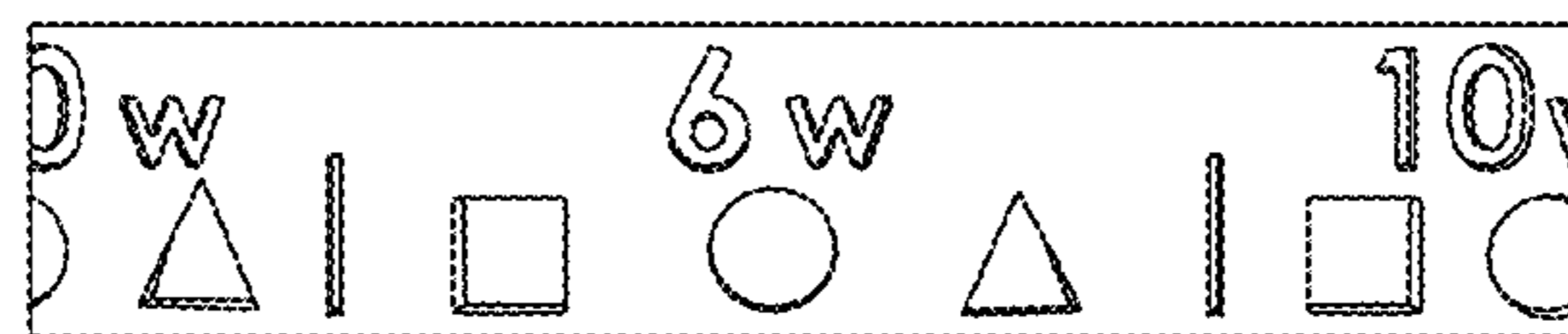


FIG. 6

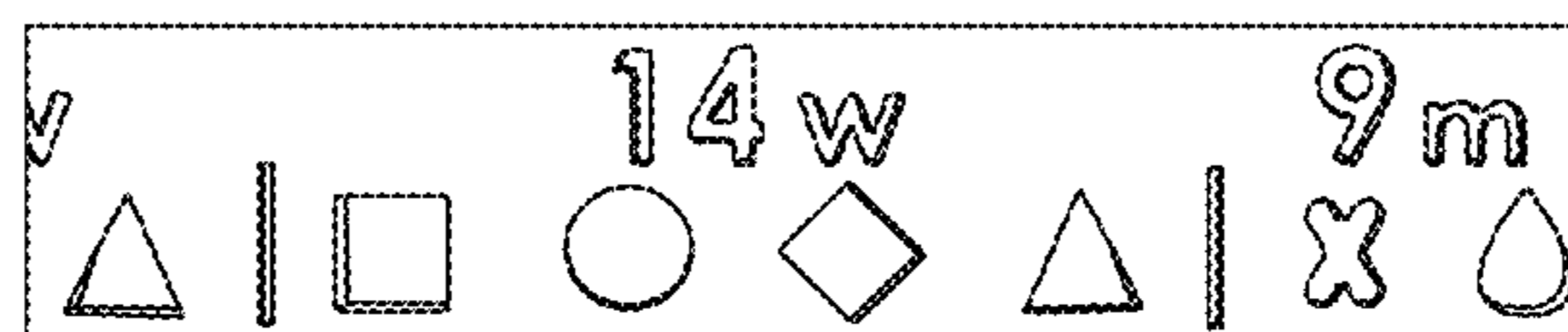


FIG. 7