



US00D861879S

(12) **United States Design Patent** (10) **Patent No.:** **US D861,879 S**  
**Houlihan** (45) **Date of Patent:** **\*\* Oct. 1, 2019**

(54) **SERVICE CART**  
(71) Applicant: **Nancy A. Houlihan**, Brookline, MA (US)  
(72) Inventor: **Nancy A. Houlihan**, Brookline, MA (US)  
(\*\*) Term: **15 Years**  
(21) Appl. No.: **29/596,272**  
(22) Filed: **Mar. 7, 2017**  
(51) **LOC (12) Cl.** ..... **24-02**  
(52) **U.S. Cl.**  
USPC ..... **D24/185**  
(58) **Field of Classification Search**  
USPC ..... D24/231, 185, 128, 164, 158; D14/447, D14/344, 486, 341, 346, 336; D10/15; D34/14, 17; D29/130  
CPC ..... A61G 12/001; B62B 3/008  
See application file for complete search history.

5,460,391 A 10/1995 Gantz et al.  
5,791,534 A 8/1998 Davis et al.  
D419,674 S \* 1/2000 Schattner ..... D24/128  
6,116,690 A 9/2000 Larson  
6,182,583 B1 2/2001 Larson  
6,224,072 B1 5/2001 Weck et al.  
7,090,072 B1 8/2006 Elliott  
7,229,084 B2 \* 6/2007 McKellar ..... A61G 5/10 280/47.25  
D548,918 S \* 8/2007 Nussberger ..... D34/17  
7,490,837 B2 2/2009 Pond et al.  
D588,272 S \* 3/2009 Meiser ..... D24/185  
D606,202 S \* 12/2009 Banryu ..... D24/185  
D618,356 S \* 6/2010 Ross ..... D24/185  
8,197,428 B2 6/2012 Helgeson et al.  
8,286,977 B2 \* 10/2012 Butler ..... A61G 12/001 280/47.34  
D712,042 S \* 8/2014 Chung ..... D24/185  
(Continued)

*Primary Examiner* — Rhea Shields  
(74) *Attorney, Agent, or Firm* — Greenblum & Bernstein, P.L.C.

(57) **CLAIM**

I claim the ornamental design for a service cart, as shown and described.

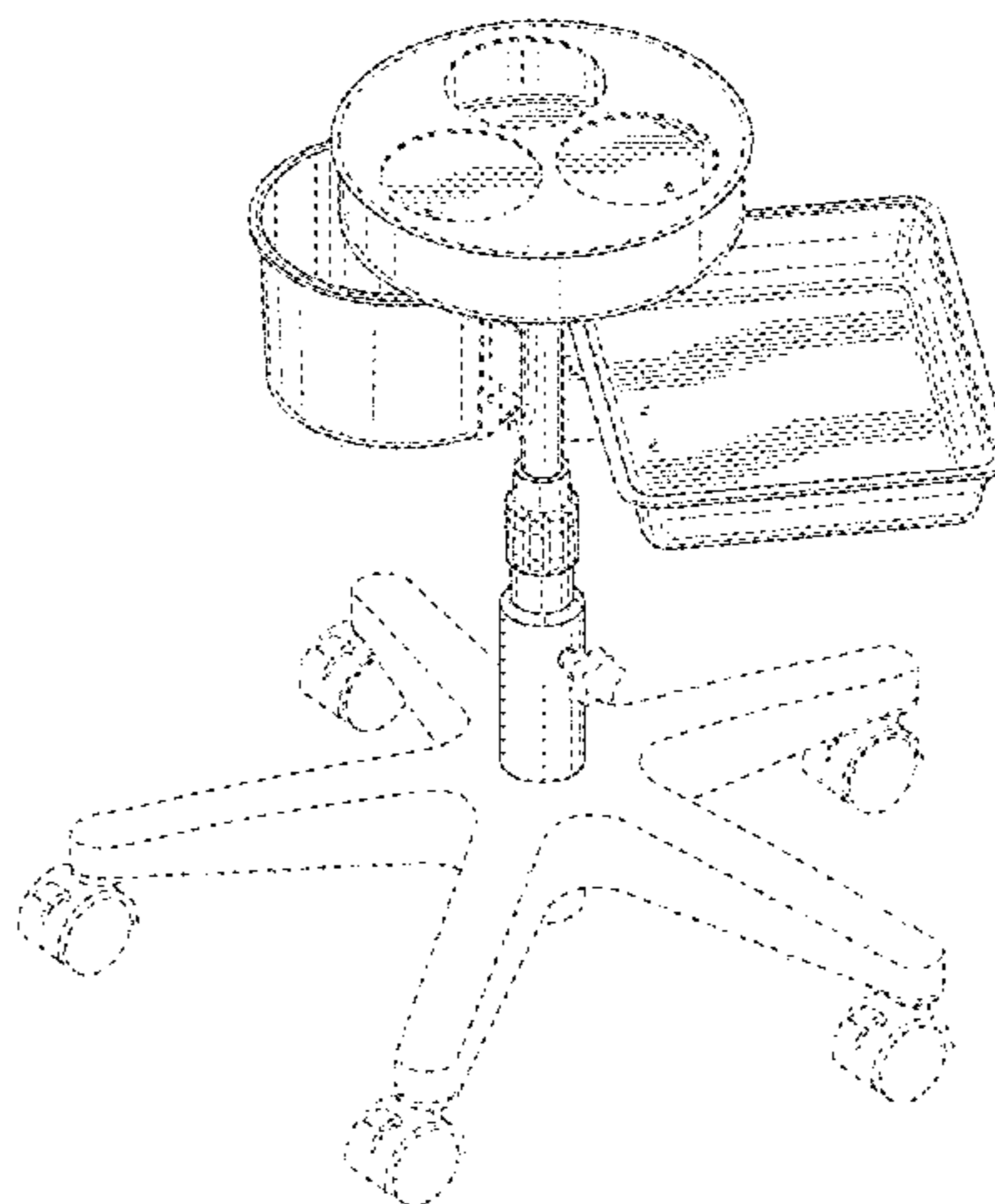
**DESCRIPTION**

FIG. 1 shows a top front side perspective view a service cart according to the invention;  
FIG. 2 shows a front view of FIG. 1;  
FIG. 3 shows a back view of FIG. 1;  
FIG. 4 shows a right side view of FIG. 1;  
FIG. 5 shows a left side view of FIG. 1;  
FIG. 6 shows a top view of FIG. 1; and,  
FIG. 7 shows a bottom view of FIG. 1.  
Any surfaces of the design not shown, including interior surfaces and any surfaces shown in broken lines, form no part of the claimed invention.

**1 Claim, 7 Drawing Sheets**

(56) **References Cited**  
U.S. PATENT DOCUMENTS

944,560 A	12/1909	Joseph
1,409,609 A	3/1922	Stockle
1,599,911 A	9/1926	Morehart
1,653,657 A	12/1927	Pretsch
1,898,867 A	2/1933	Brown
2,805,905 A	9/1957	Levitan et al.
2,819,938 A	1/1958	Zerver
2,903,273 A	9/1959	Hennion
3,339,938 A	9/1967	Edmisson
4,715,573 A	12/1987	Liegel
4,756,496 A	7/1988	Hosan et al.
D302,618 S	8/1989	Gottselig
D302,889 S	8/1989	Goodwin
D325,440 S	4/1992	Landis
D348,999 S	7/1994	Bonazza
5,397,875 A	3/1995	Bechtold, Jr.
D361,420 S	8/1995	Rick



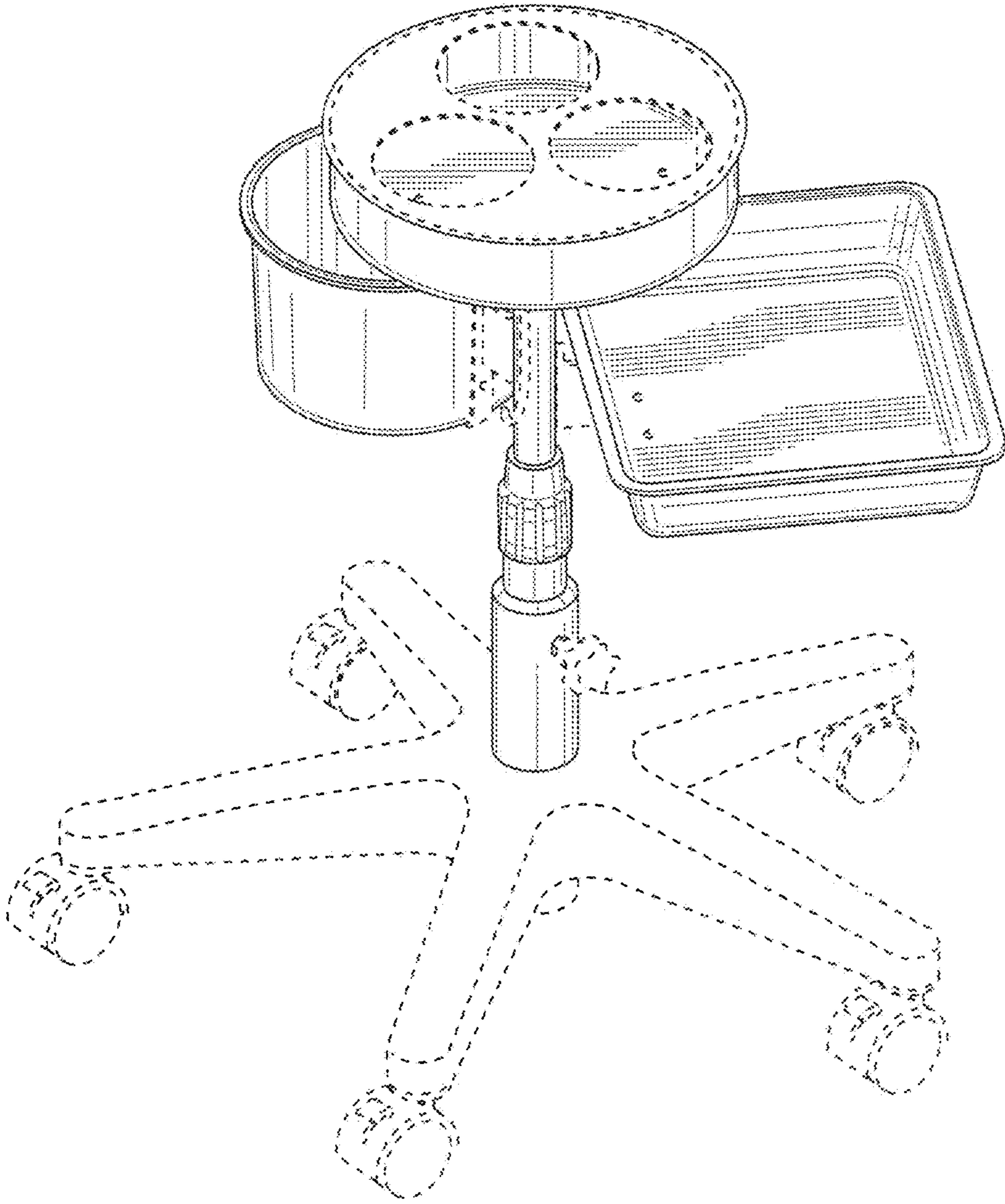
(56)

**References Cited**

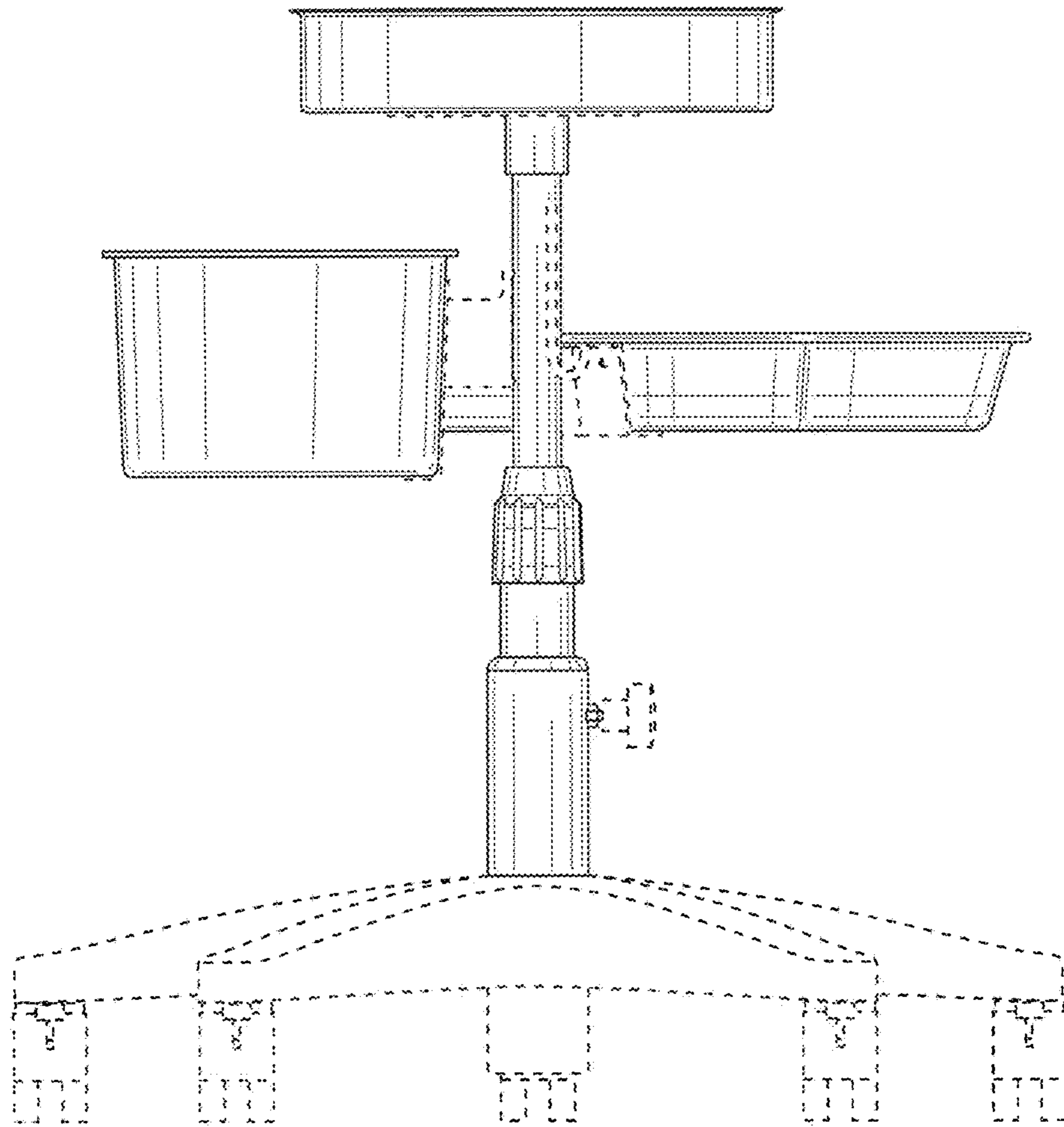
U.S. PATENT DOCUMENTS

D722,696 S *	2/2015	Blomquist .....	D24/164
D730,011 S	5/2015	McRorie	
9,079,600 B2	7/2015	Houlihan	
D739,538 S *	9/2015	Bernal .....	D24/185
D752,232 S *	3/2016	Hacker .....	D24/185
D773,748 S *	12/2016	Childs .....	D29/130
D786,522 S *	5/2017	Houlihan .....	B62B 3/008 D34/14
D796,679 S *	9/2017	Dekock .....	D24/158
D810,305 S *	2/2018	Zhang .....	D24/185
2001/0015535 A1	8/2001	Week et al.	
2002/0044059 A1	4/2002	Reeder et al.	
2004/0135045 A1	7/2004	Larson	
2013/0200579 A1	8/2013	Abernethy	

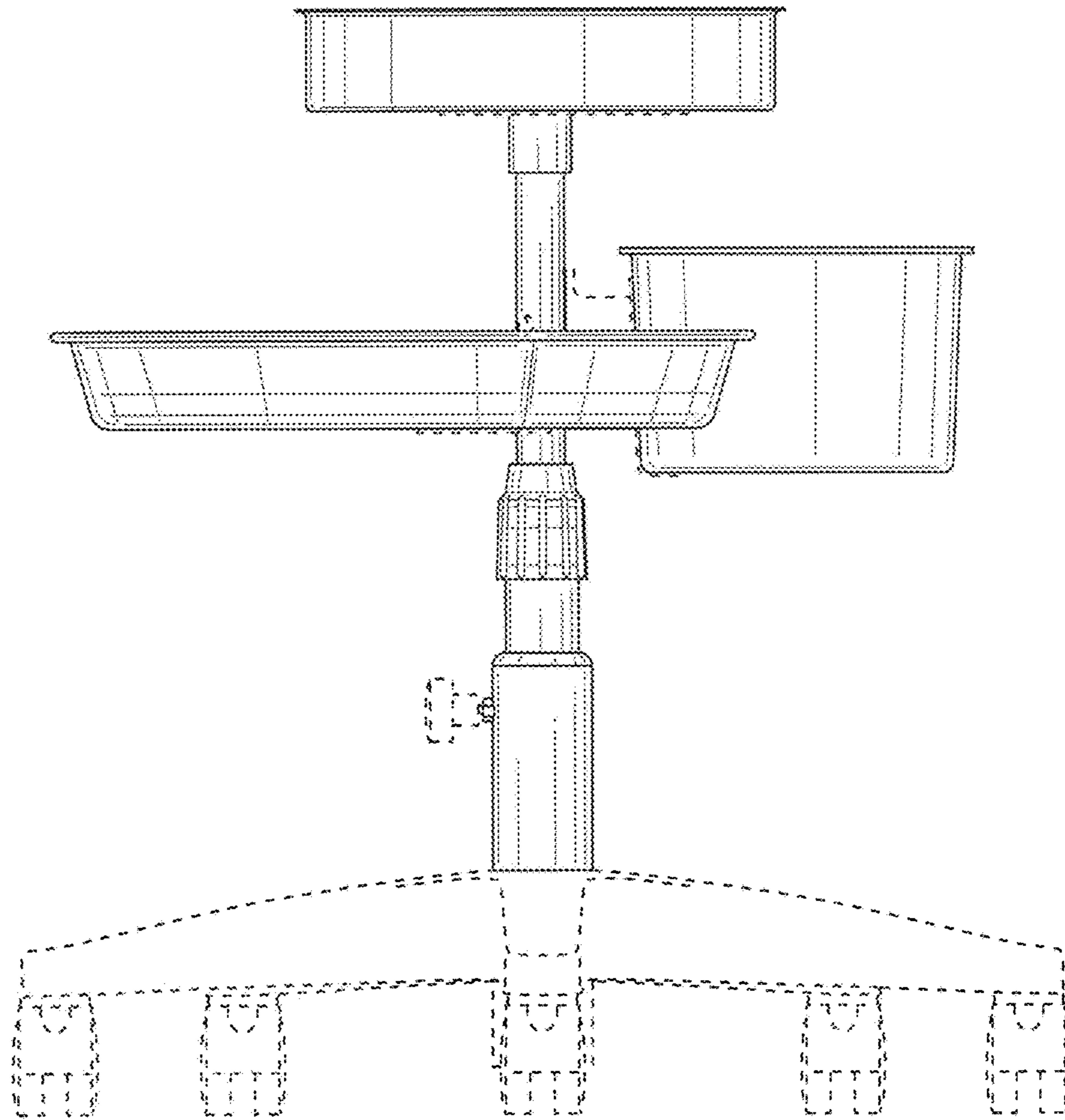
\* cited by examiner



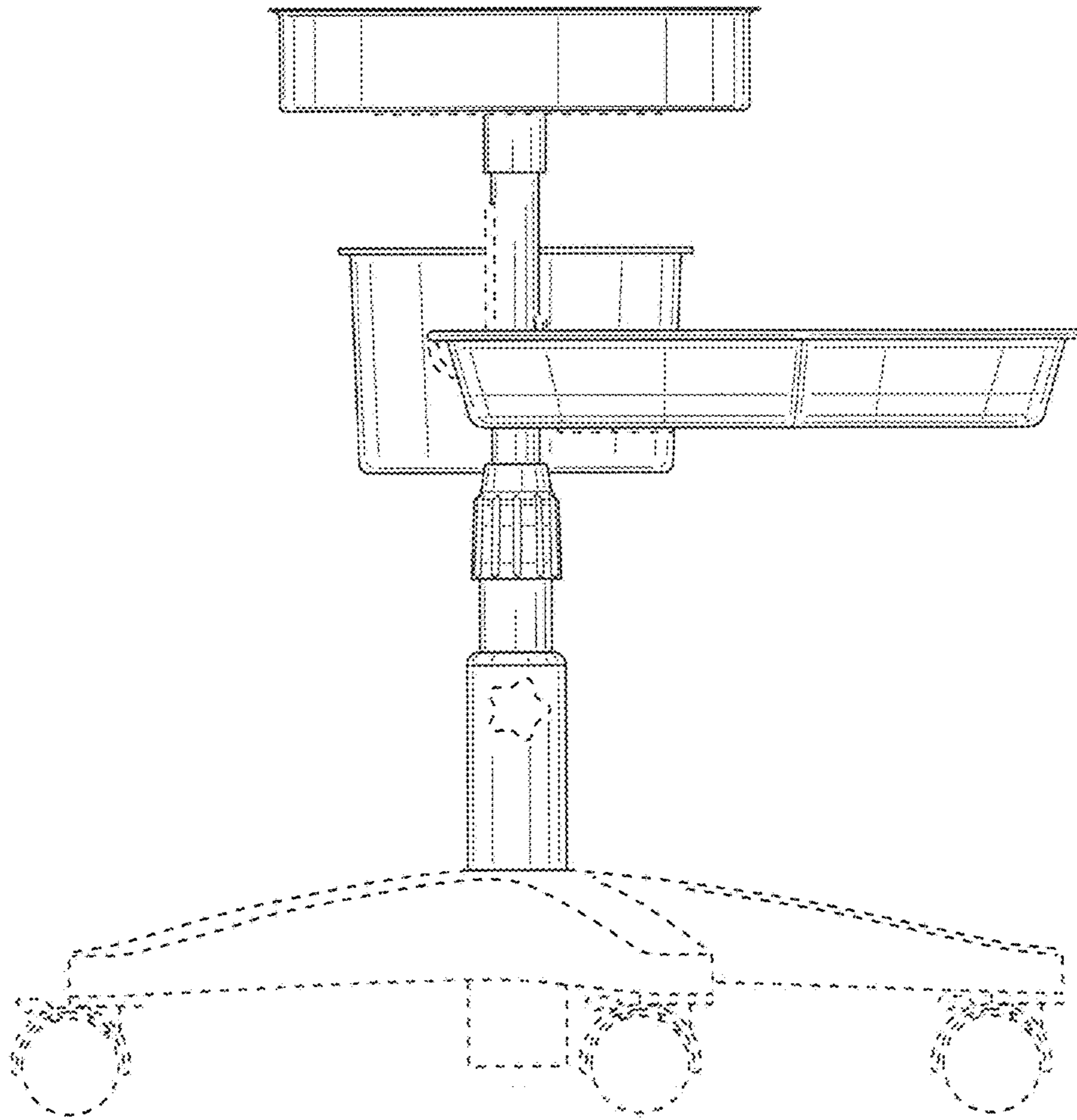
**FIG. 1**



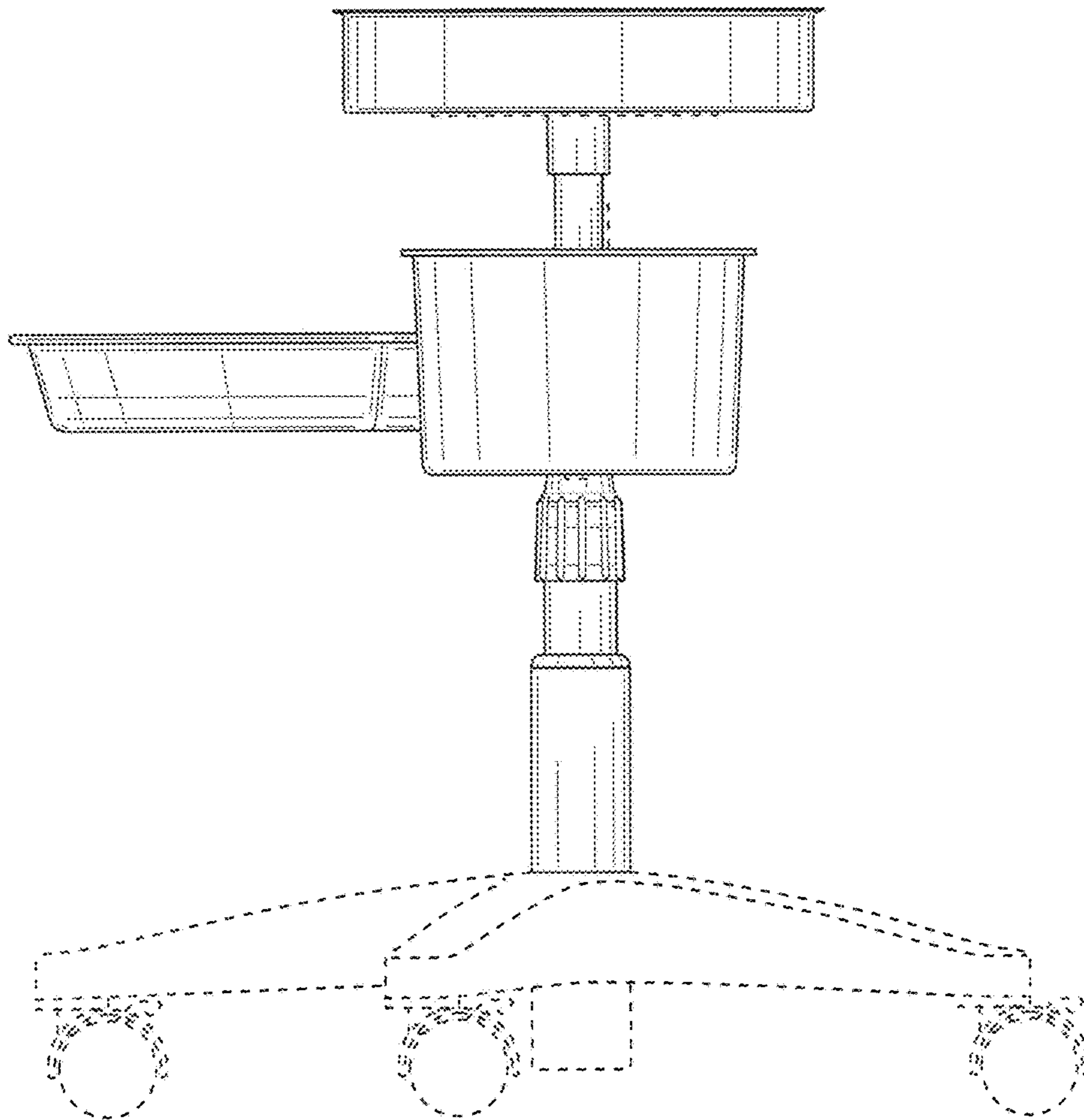
**FIG. 2**



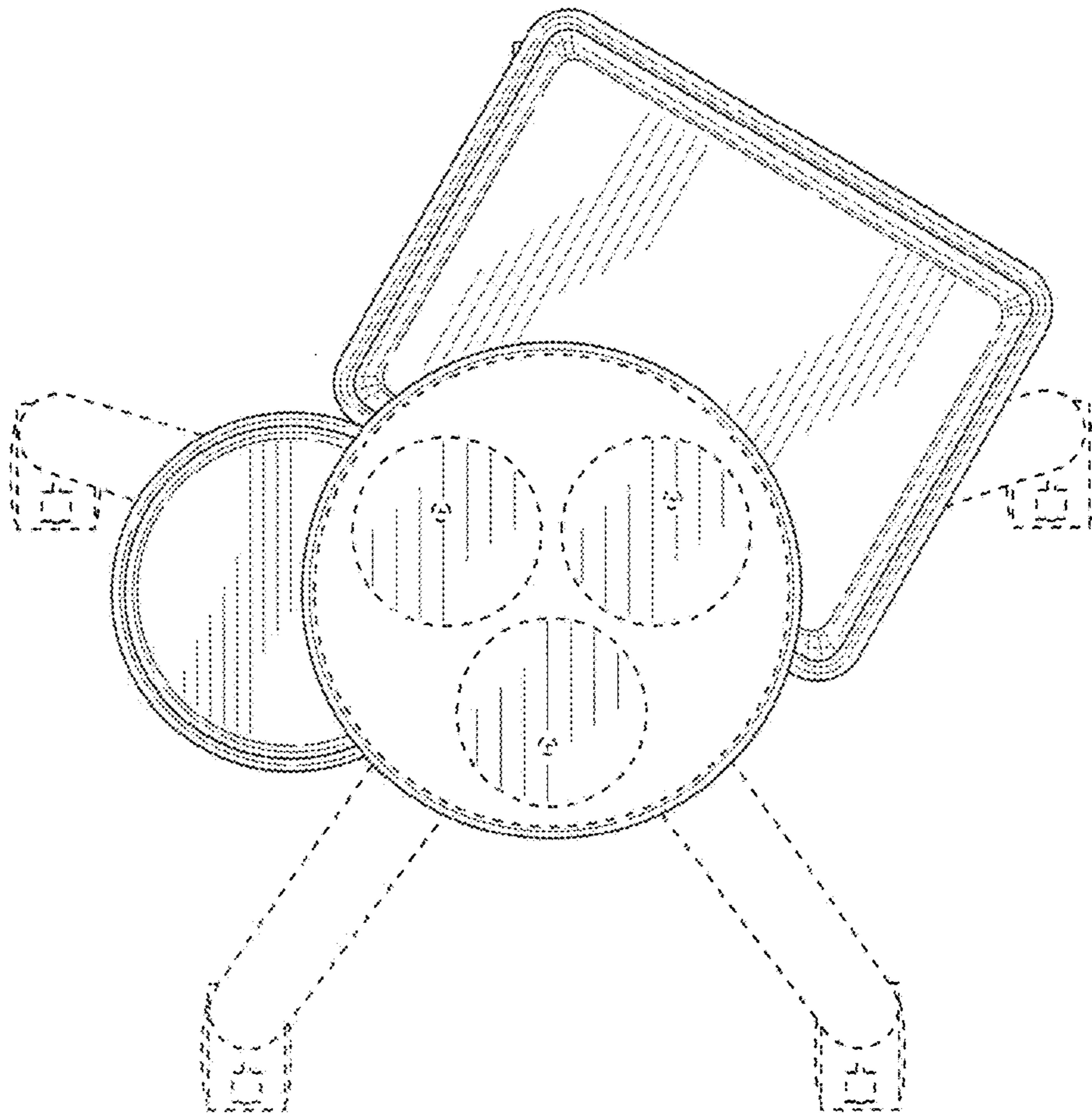
**FIG. 3**



**FIG. 4**

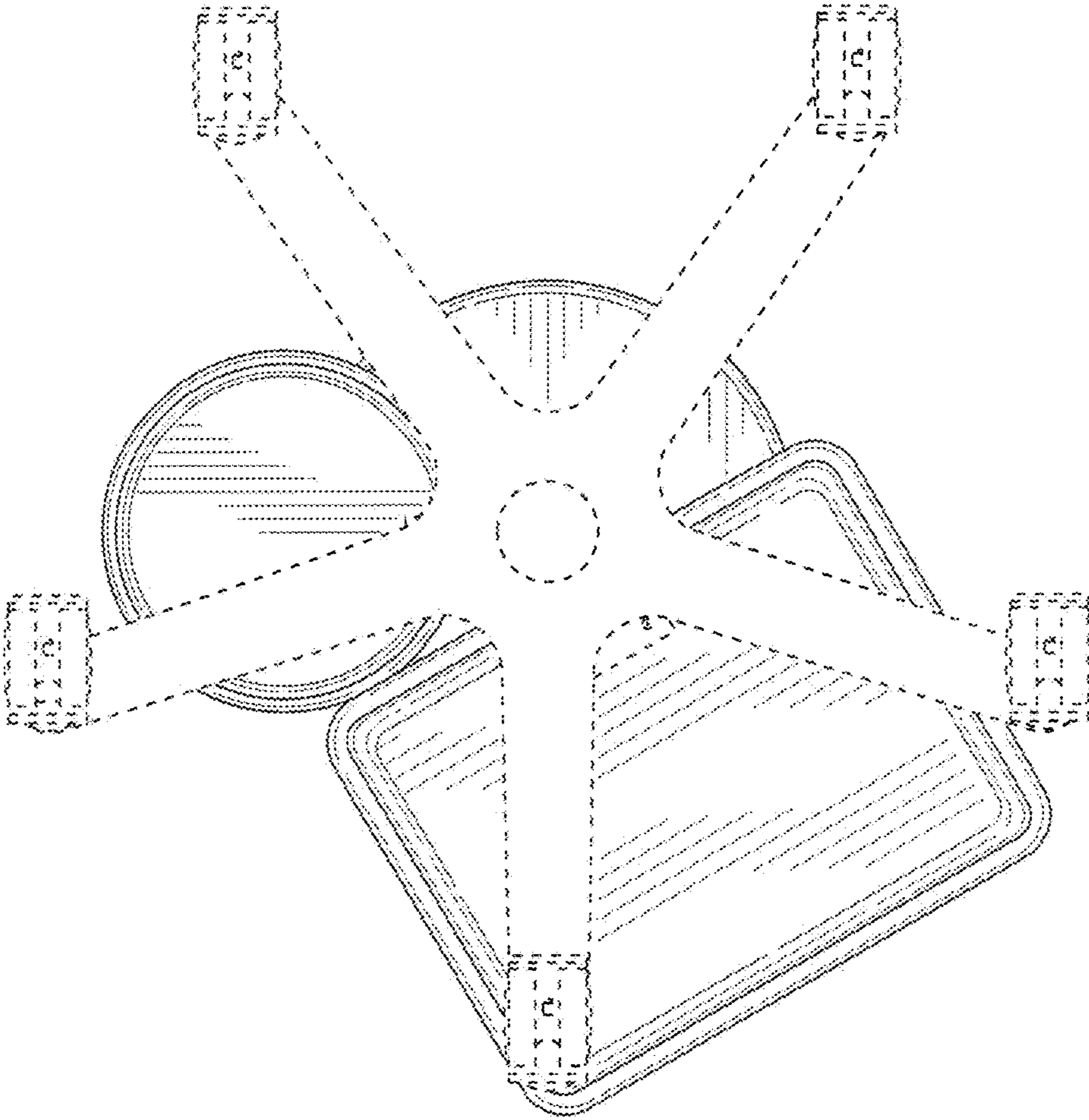


**FIG. 5**



**FIG. 6**





**FIG. 7**