



US00D861878S

(12) **United States Design Patent** (10) **Patent No.:** **US D861,878 S**
Liu et al. (45) **Date of Patent:** **** Oct. 1, 2019**

(54) **HANDLE FOR A DISPLAY**
(71) Applicant: **General Electric Company**,
Schenectady, NY (US)
(72) Inventors: **Mingtao Liu**, Beijing (CN); **Samuel Lee Alder**, Stansbury Park, UT (US); **Zhaohui Jin**, Beijing (CN); **Jundong Li**, Beijing (CN)
(73) Assignee: **General Electric Company**,
Schenectady, NY (US)
(**) Term: **15 Years**
(21) Appl. No.: **29/635,707**
(22) Filed: **Feb. 1, 2018**
(51) **LOC (12) Cl.** **24-02**
(52) **U.S. Cl.**
USPC **D24/184**
(58) **Field of Classification Search**
USPC D24/128, 160, 161, 183–185, 188, 190;
D21/679, 694; D8/363, 373, 380;
D14/447, 432, 434, 439
CPC F16M 11/041; F16M 11/14
See application file for complete search history.

(56) **References Cited**
U.S. PATENT DOCUMENTS
D262,814 S * 1/1982 Lambert, Jr. D21/694
D264,489 S * 5/1982 Holland 482/139
D368,525 S * 4/1996 Karten D24/184
D428,491 S 7/2000 Beale et al.
6,377,223 B1 4/2002 Clapp et al.
6,771,172 B1 8/2004 Robinson et al.
D637,769 S 5/2011 Weber
D662,559 S * 6/2012 Zhang D12/178
8,702,055 B2 * 4/2014 Alemozafar F16M 13/00
248/688
D729,553 S * 5/2015 Trinh D6/681

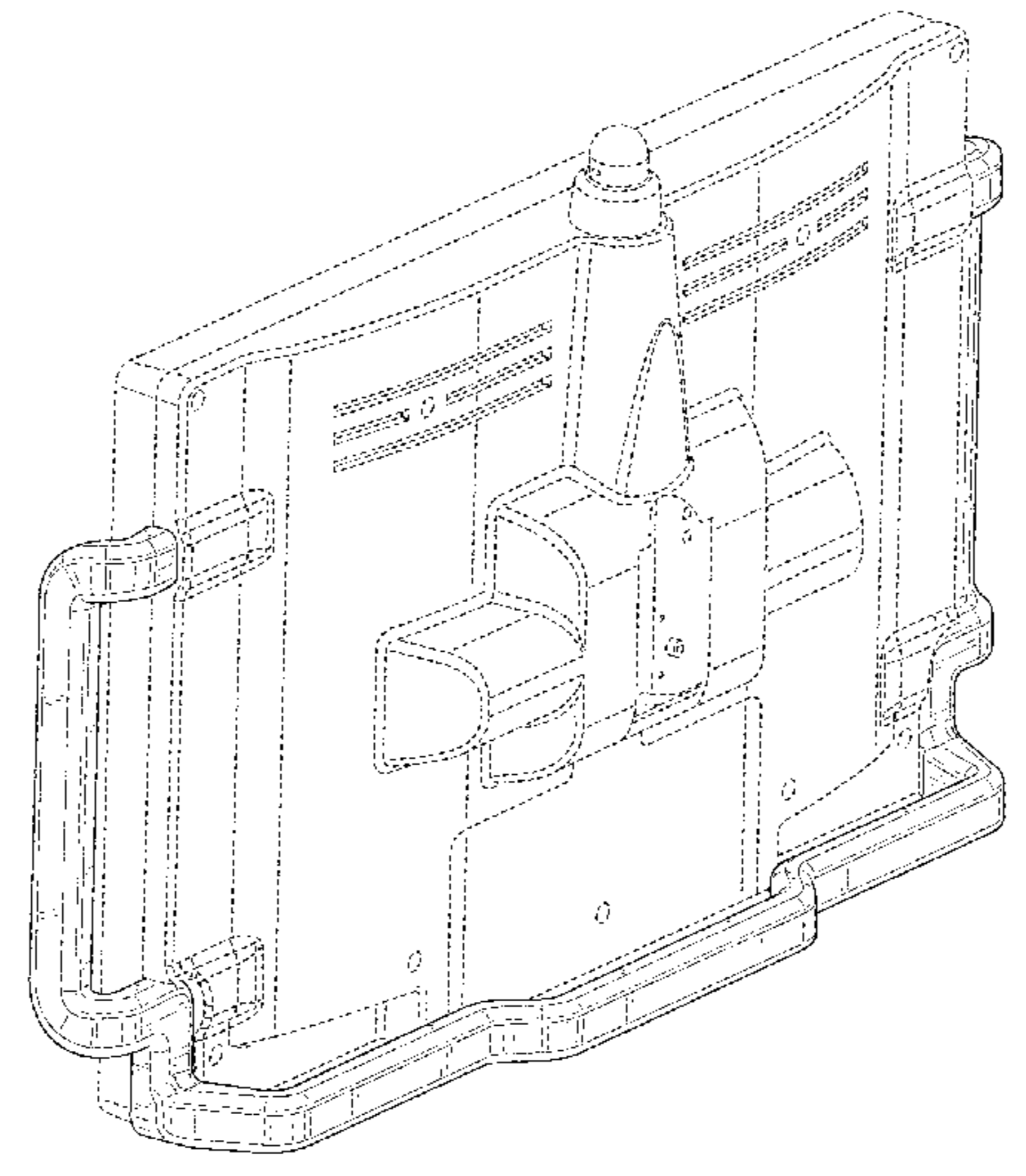
D771,052 S * 11/2016 Zheng D14/434
D773,465 S * 12/2016 Palmer D14/434
D782,446 S * 3/2017 Thao D14/217
D785,605 S * 5/2017 Hochman D14/239
D788,911 S * 6/2017 Deutsch A61M 1/0086
D24/128
D799,309 S * 10/2017 Darby D8/373
D804,487 S * 12/2017 Theis D14/447
D827,652 S * 9/2018 Jacques D14/447
D843,506 S * 3/2019 Campanaro D21/679

* cited by examiner
Primary Examiner — Susan Bennett Hattan
Assistant Examiner — Omeed Agilee
(74) *Attorney, Agent, or Firm* — McCoy Russell LLP

(57) **CLAIM**
The ornamental design for a handle for a display, as shown and described.

DESCRIPTION
FIG. 1 is a front perspective view of a handle for a display showing our new design.
FIG. 2 is a back perspective view of the handle for a display of FIG. 1.
FIG. 3 is a front view of the handle for a display of FIG. 1.
FIG. 4 is a back view of the handle for a display of FIG. 1.
FIG. 5 is a left side view of the handle for a display of FIG. 1.
FIG. 6 is a right side view of the handle for a display of FIG. 1.
FIG. 7 is a top view of the handle for a display of FIG. 1; and,
FIG. 8 is a bottom view of the handle for a display of FIG. 1.
The broken lines in FIGS. 1-8 are included for the purpose of illustrating environmental structure and form no part of the claimed design.

1 Claim, 8 Drawing Sheets



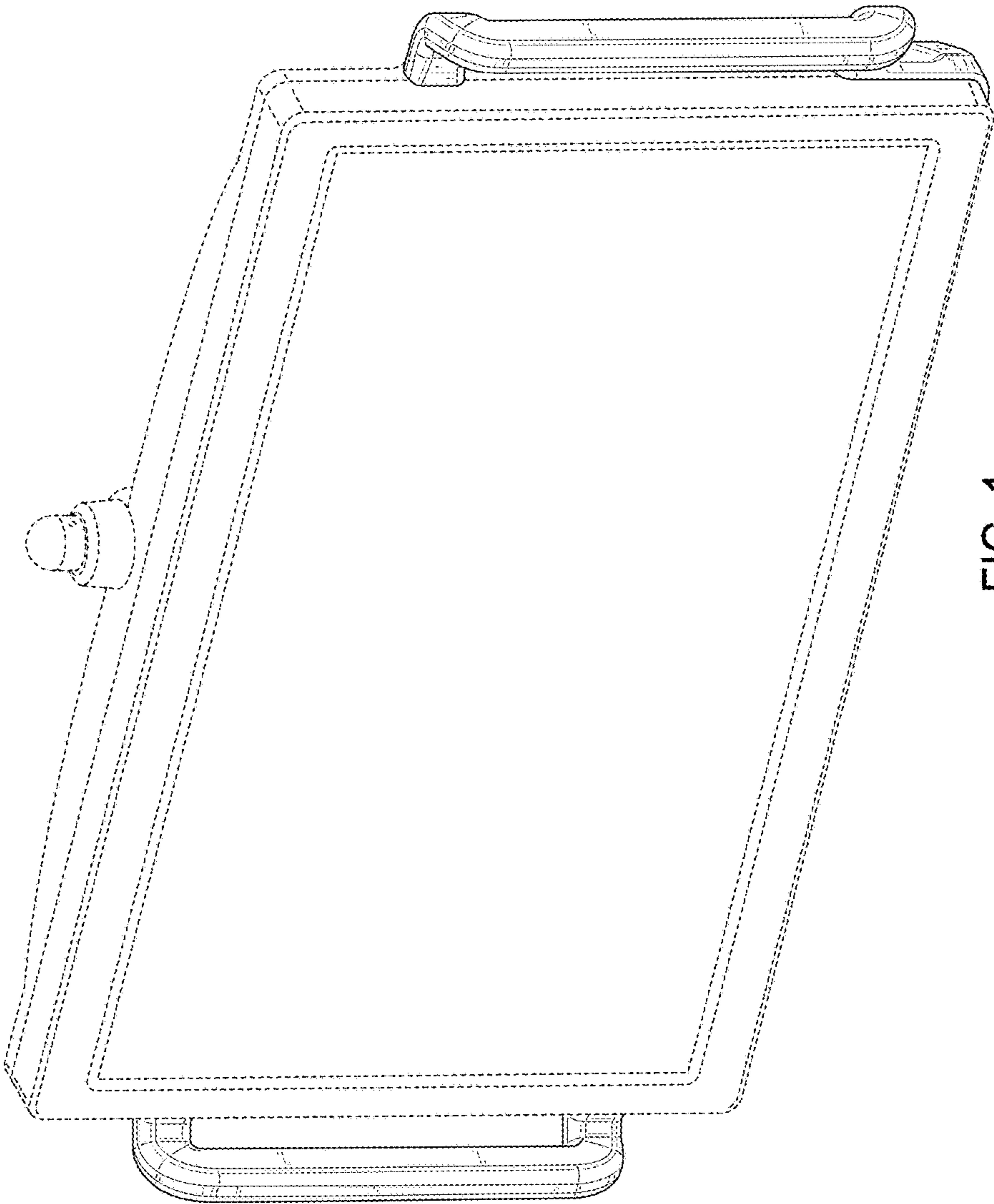


FIG. 1

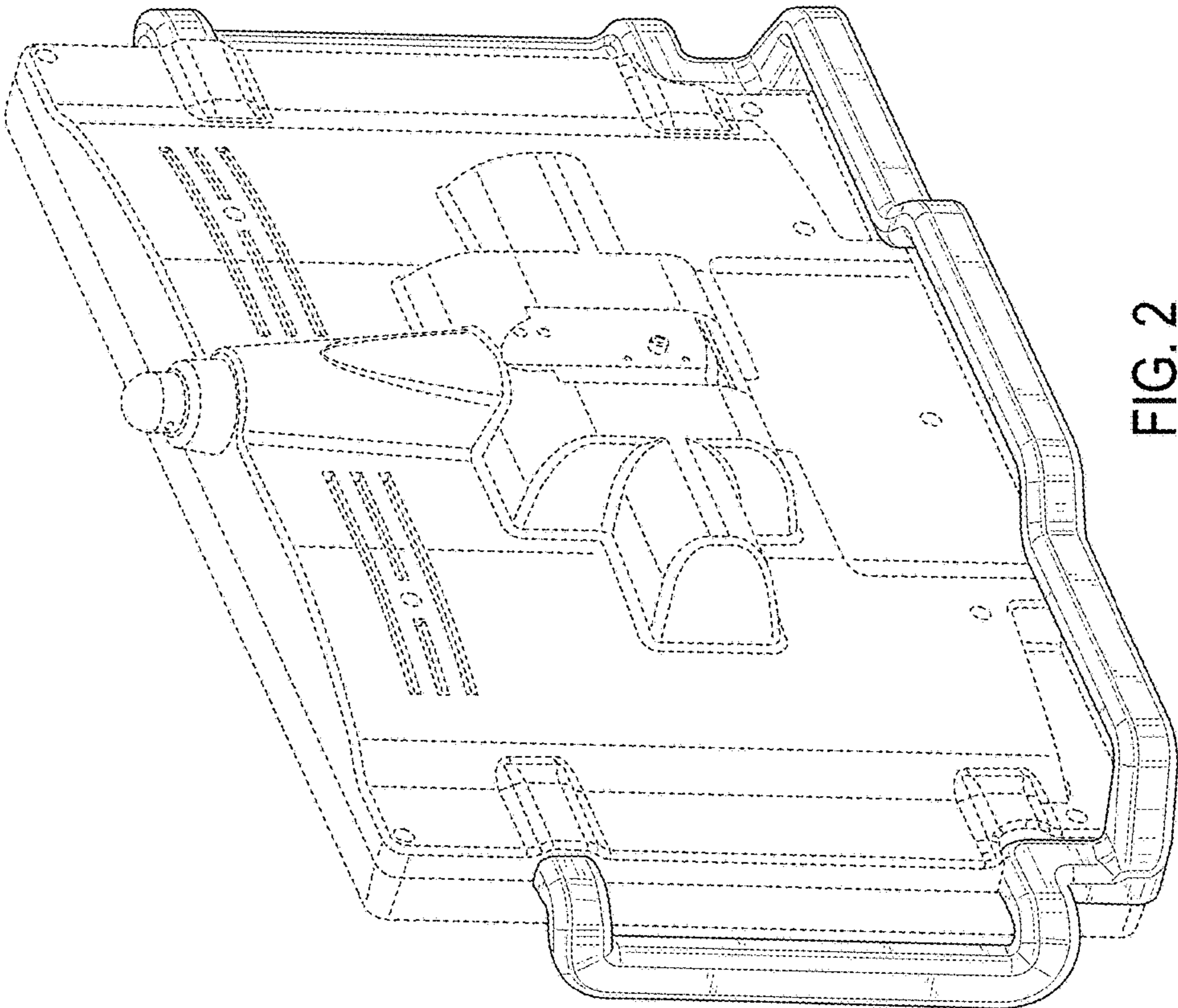


FIG. 2

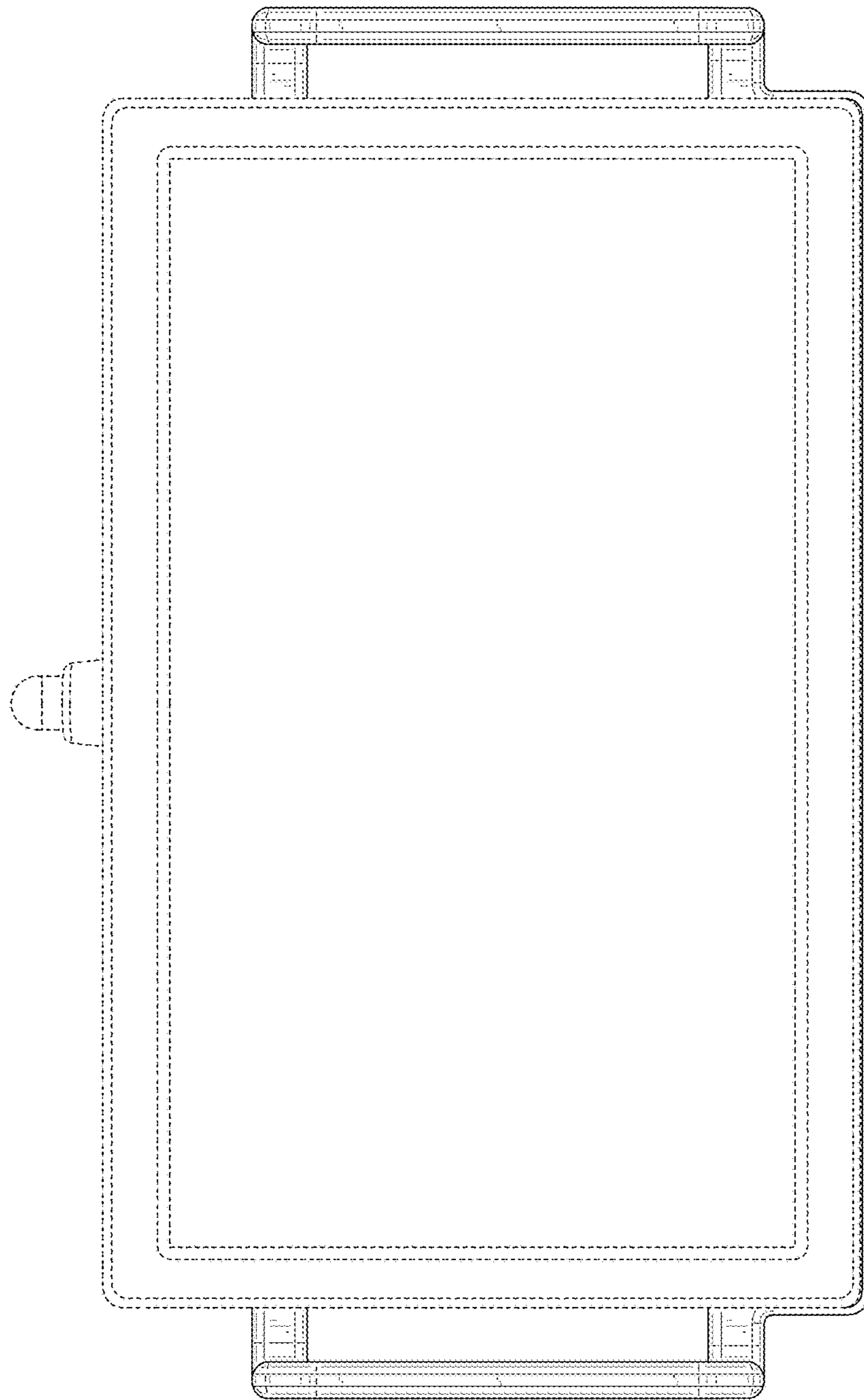


FIG. 3

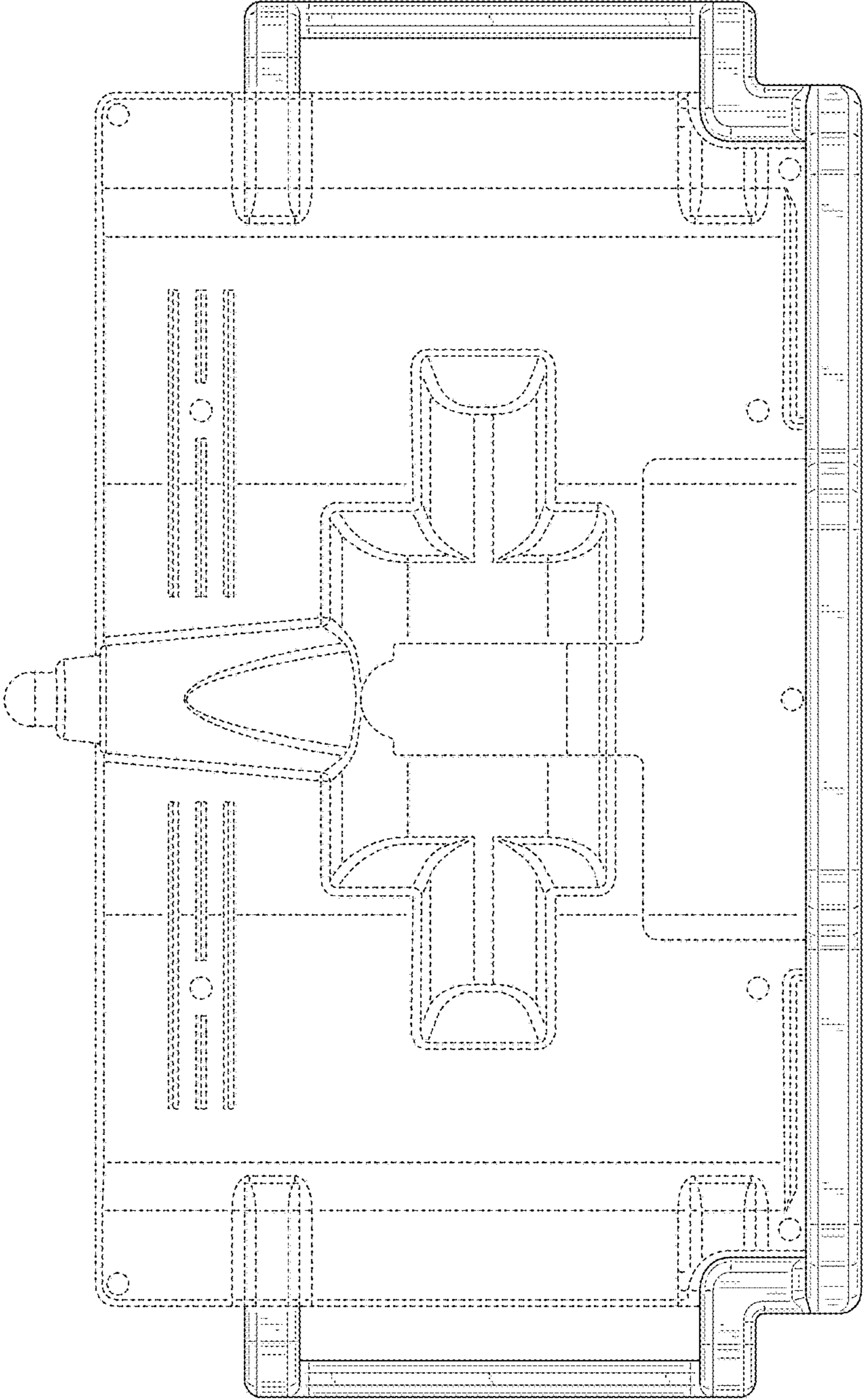


FIG. 4

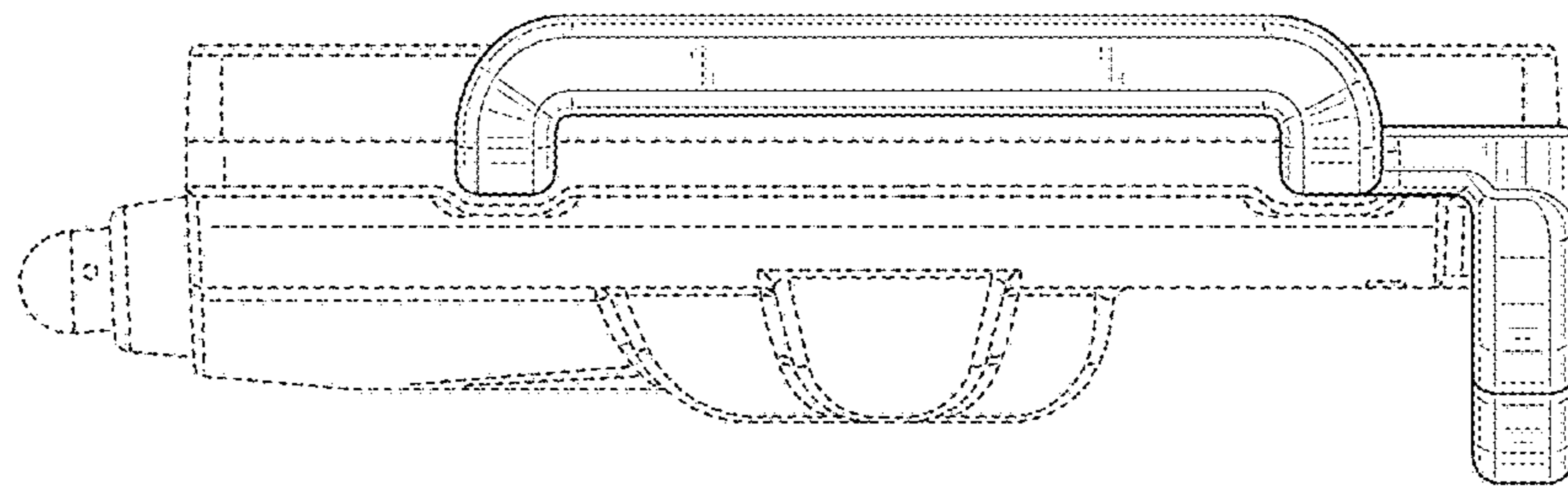


FIG. 5

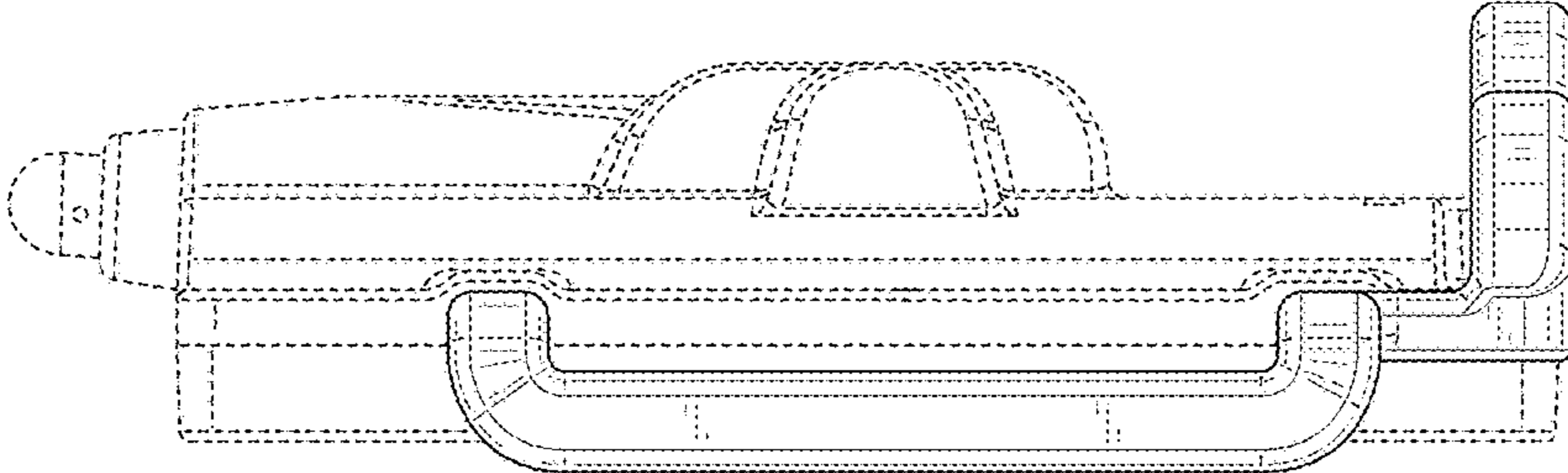


FIG. 6

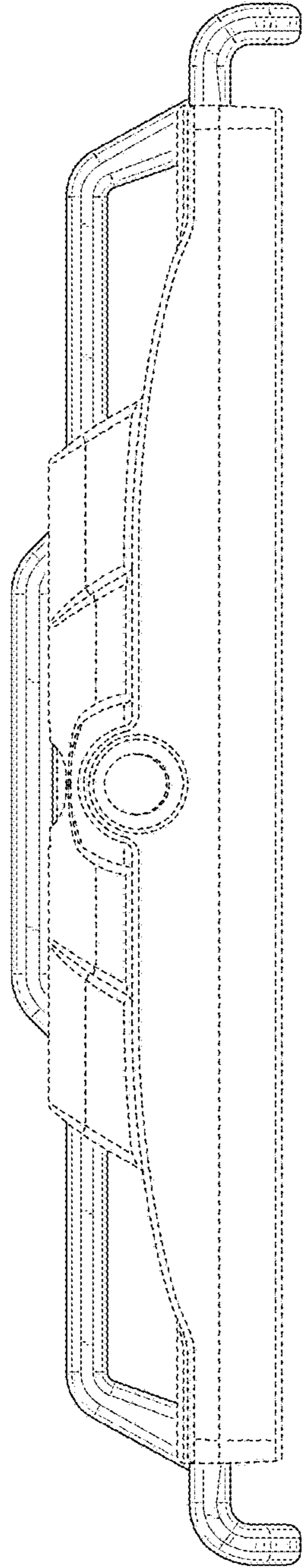


FIG. 7

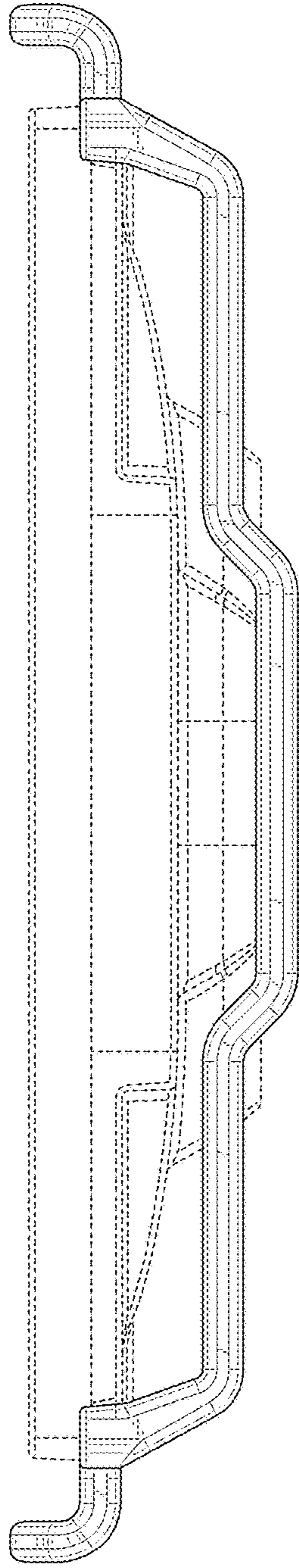


FIG. 8