



US00D861877S

(12) **United States Design Patent**  
**Minasyan**

(10) **Patent No.:** **US D861,877 S**  
(45) **Date of Patent:** **\*\* Oct. 1, 2019**

- (54) **DENTAL INLAY BLANK**
- (71) Applicant: **Kharen Minasyan**, Van Nuys, CA (US)
- (72) Inventor: **Kharen Minasyan**, Van Nuys, CA (US)
- (\*\*) Term: **15 Years**
- (21) Appl. No.: **29/650,357**
- (22) Filed: **Jun. 6, 2018**
- (51) **LOC (12) Cl.** ..... **24-02**
- (52) **U.S. Cl.**  
USPC ..... **D24/181**
- (58) **Field of Classification Search**  
USPC ..... D24/181, 176, 227, 229-230; D9/456;  
433/34, 49, 53, 190; 409/225, 903  
CPC . A61C 13/00; A61C 13/0003; A61C 13/0009;  
A61C 13/0019; A61C 13/0022; A61C  
13/08; A61C 13/081; A61C 13/082; A61C  
13/34; A61C 13/0004  
See application file for complete search history.

(56) **References Cited**

U.S. PATENT DOCUMENTS

- 4,634,561 A \* 1/1987 DeLuca ..... A61C 13/0003  
433/34
- D675,325 S \* 1/2013 Ganley ..... A61C 13/0022  
D24/181
- 8,551,622 B2 \* 10/2013 Ganley ..... A61C 13/0022  
428/542.2

- D722,169 S \* 2/2015 Ganley ..... A61C 13/0022  
D24/181
- D816,230 S \* 4/2018 Konrad ..... D24/181
- 10,010,386 B2 \* 7/2018 Sellers ..... A61C 13/0022
- 2009/0274994 A1 \* 11/2009 Jung ..... A61C 13/0022  
433/202.1
- 2009/0275000 A1 \* 11/2009 Jung ..... A61C 13/0004  
433/223
- 2016/0193020 A1 \* 7/2016 Fix ..... A61C 8/005  
29/896.1

\* cited by examiner

*Primary Examiner* — Wan Laymon

(74) *Attorney, Agent, or Firm* — Mitchell Law PLLC;  
Matthew W. Mitchell

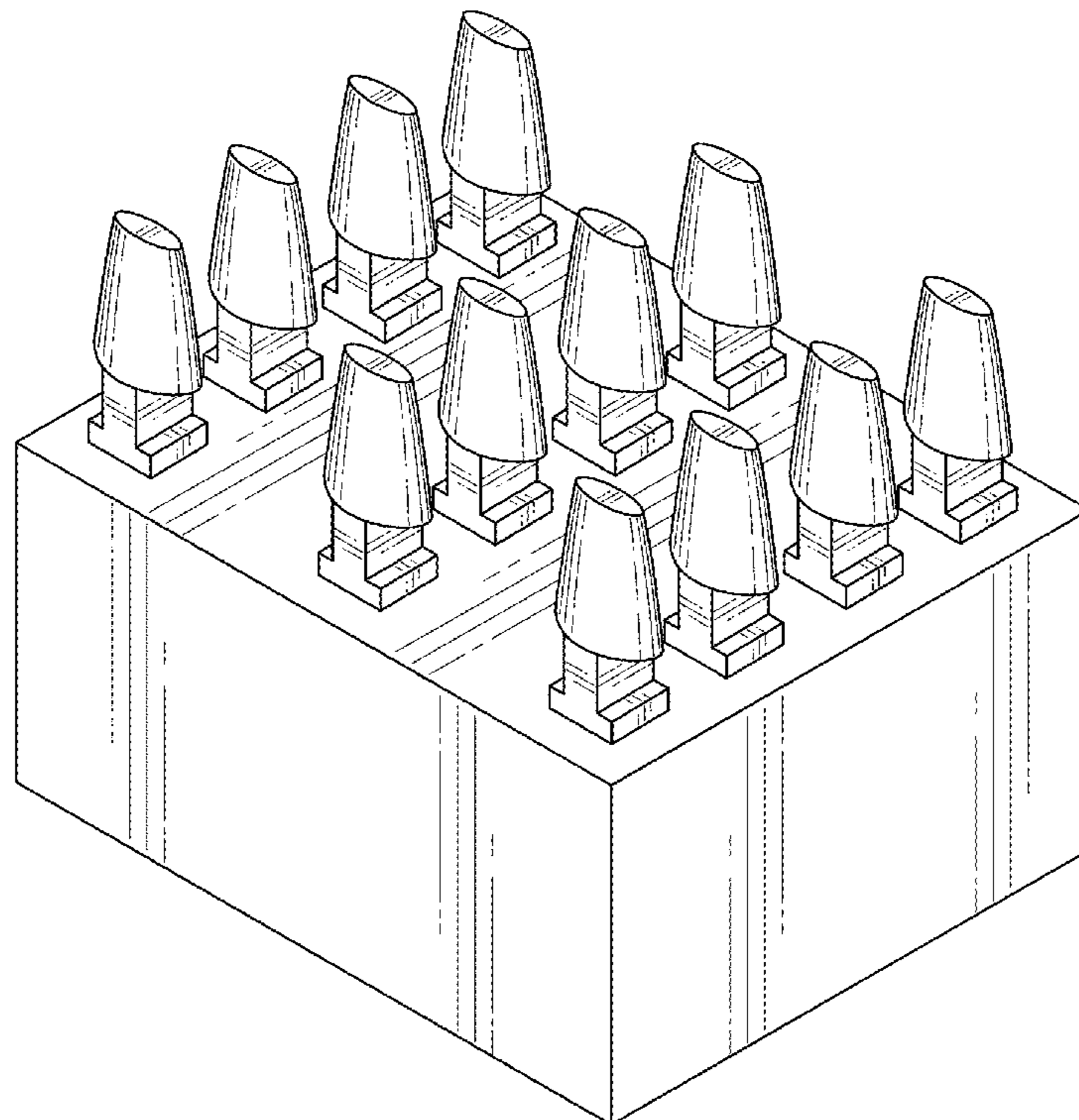
(57) **CLAIM**

The ornamental design for a dental inlay blank, as shown and described.

**DESCRIPTION**

FIG. 1 is a front isometric view of the dental inlay blank of the present invention;  
 FIG. 2 is a left side view thereof, the right side view being a mirror image thereof;  
 FIG. 3 is a front view thereof, the rear view being a mirror image thereof;  
 FIG. 4 is a top view thereof; and,  
 FIG. 5 is a bottom view thereof.

**1 Claim, 5 Drawing Sheets**



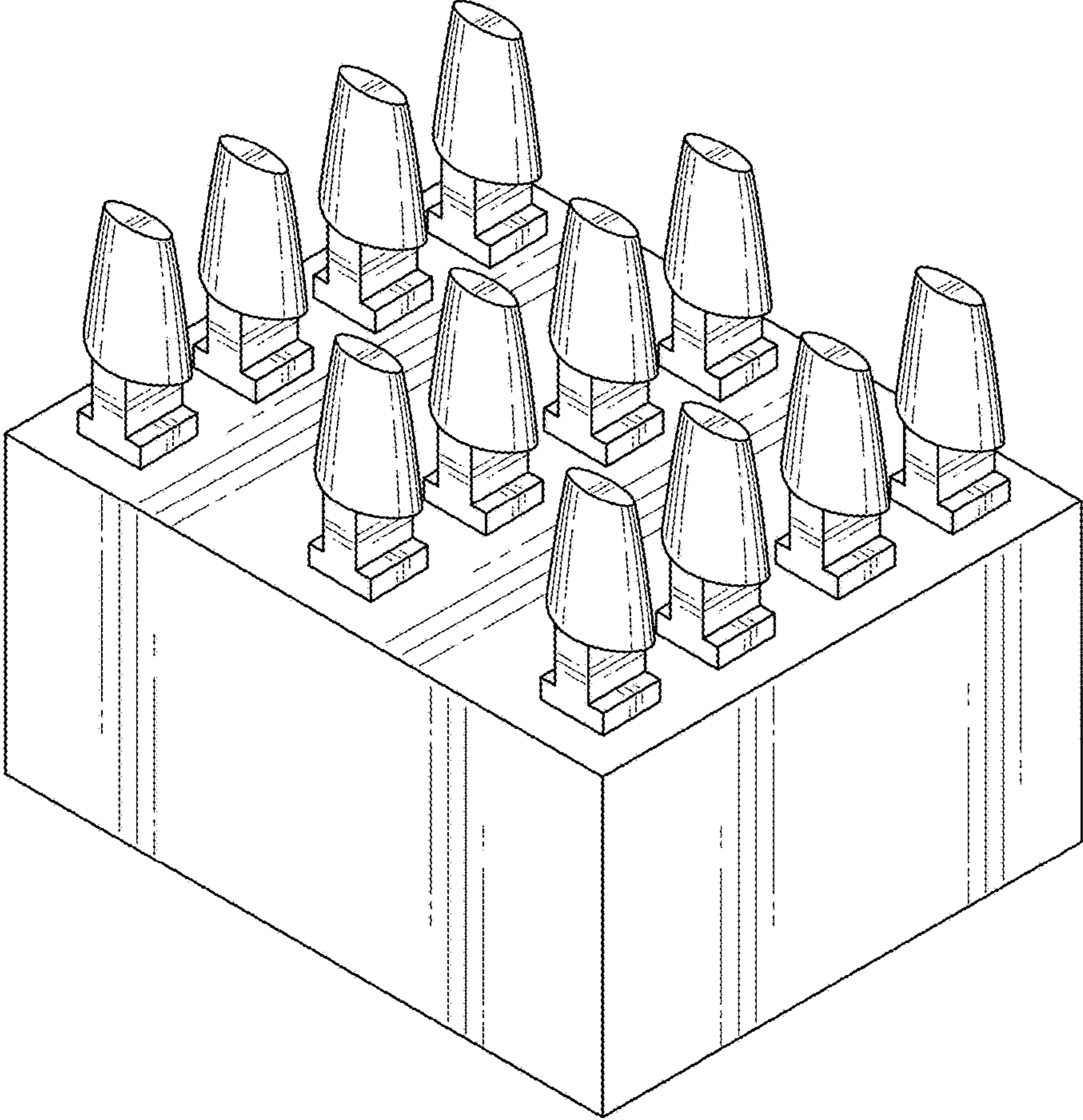


FIG. 1

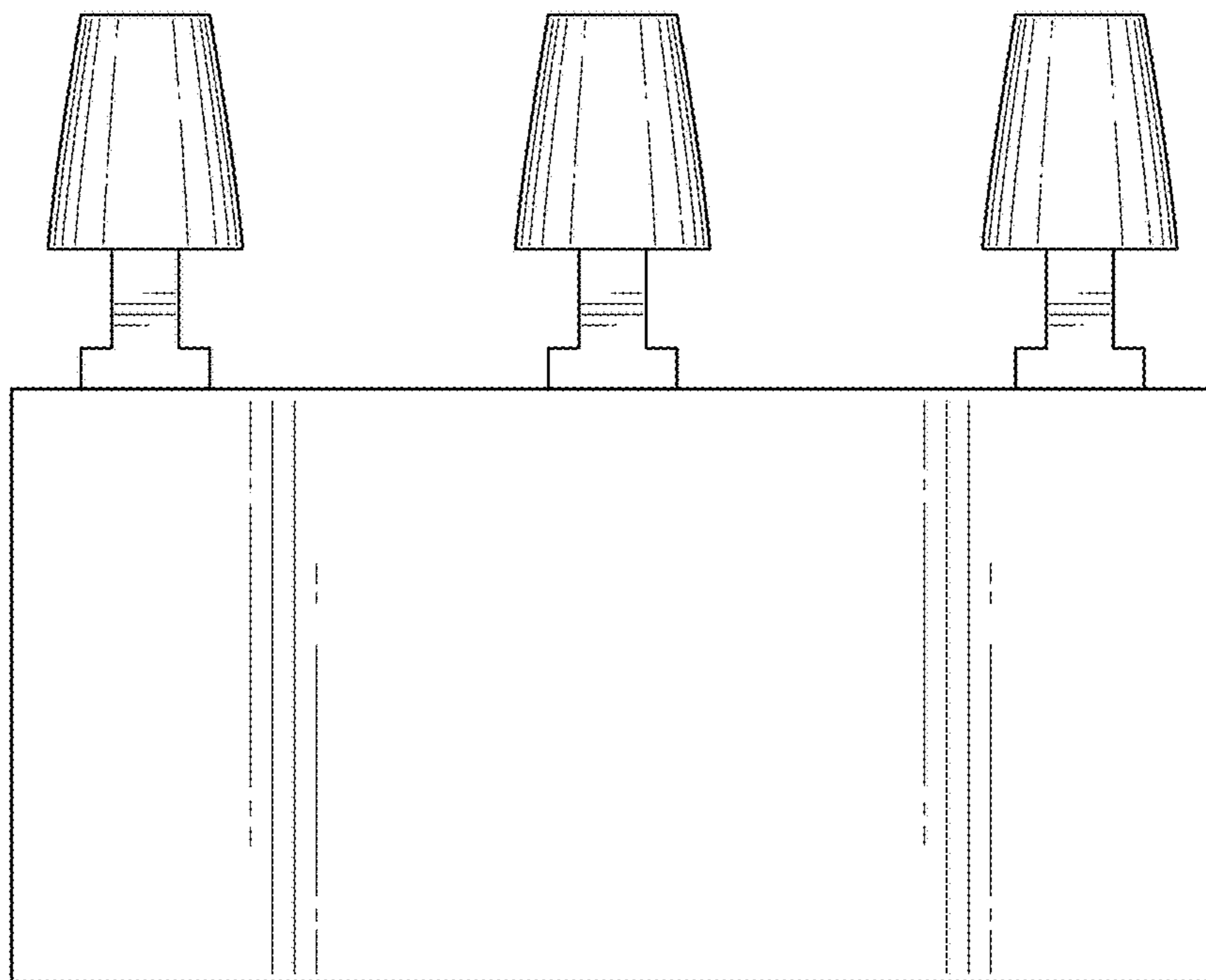


FIG. 2

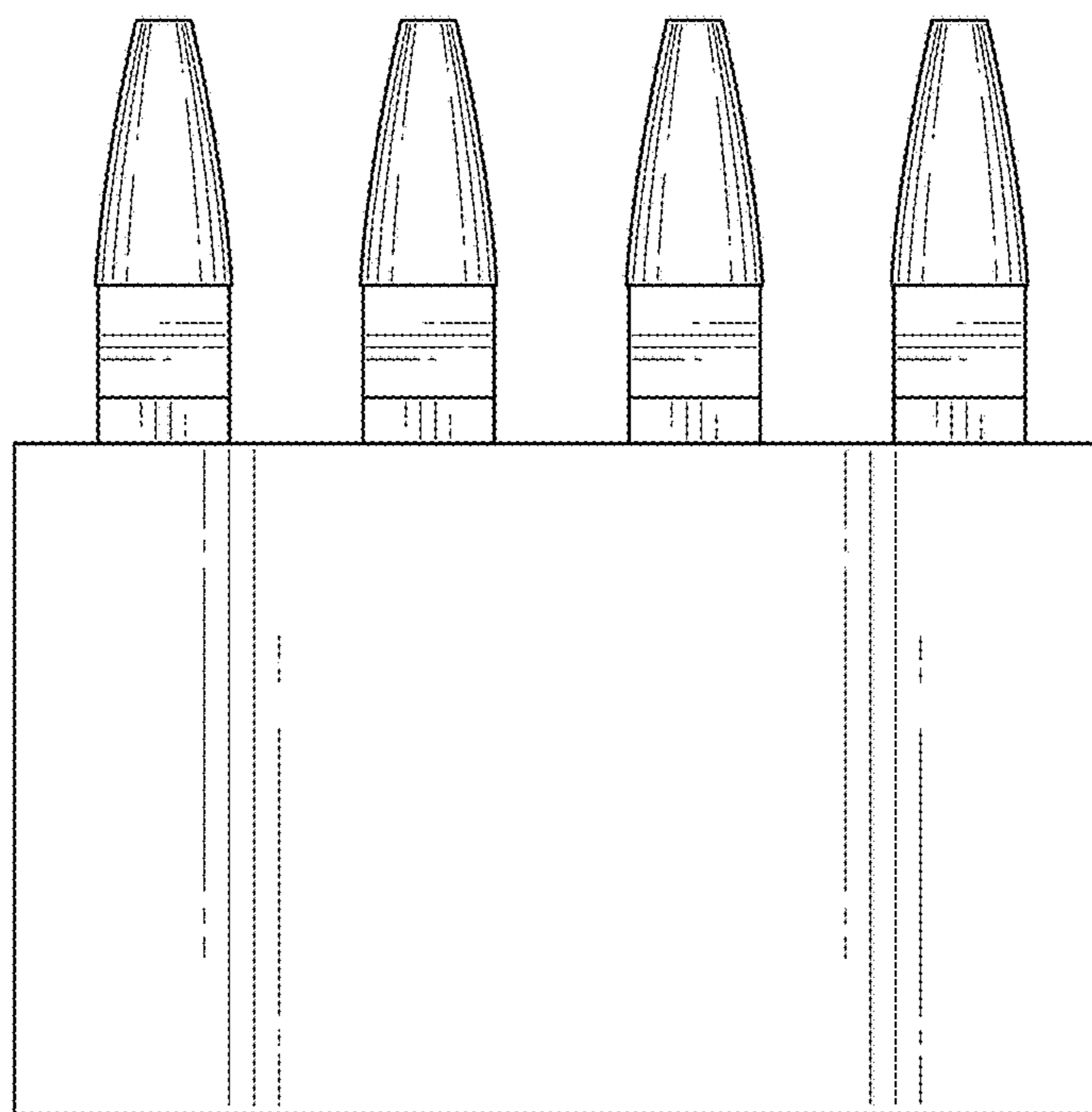


FIG. 3

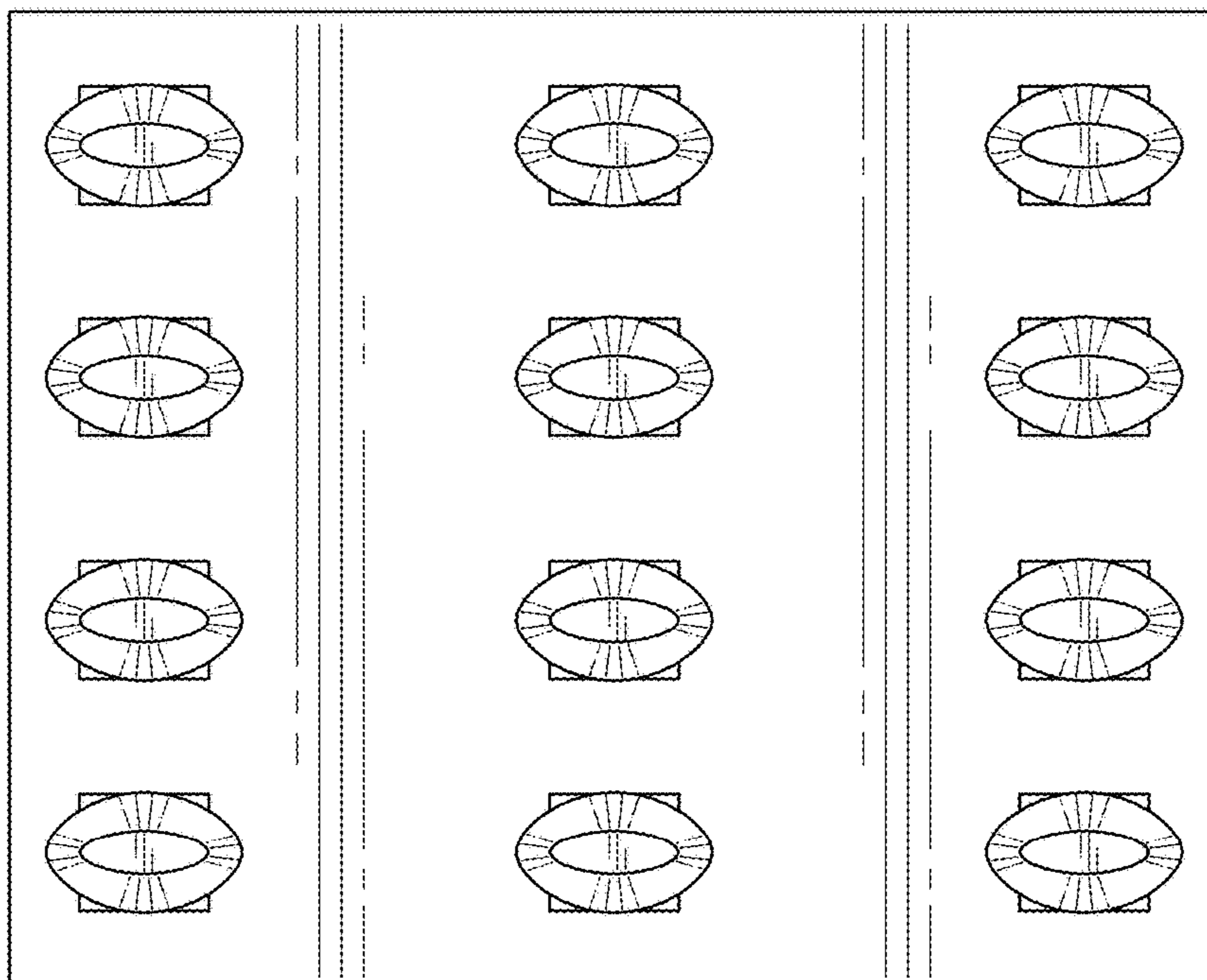


FIG. 4

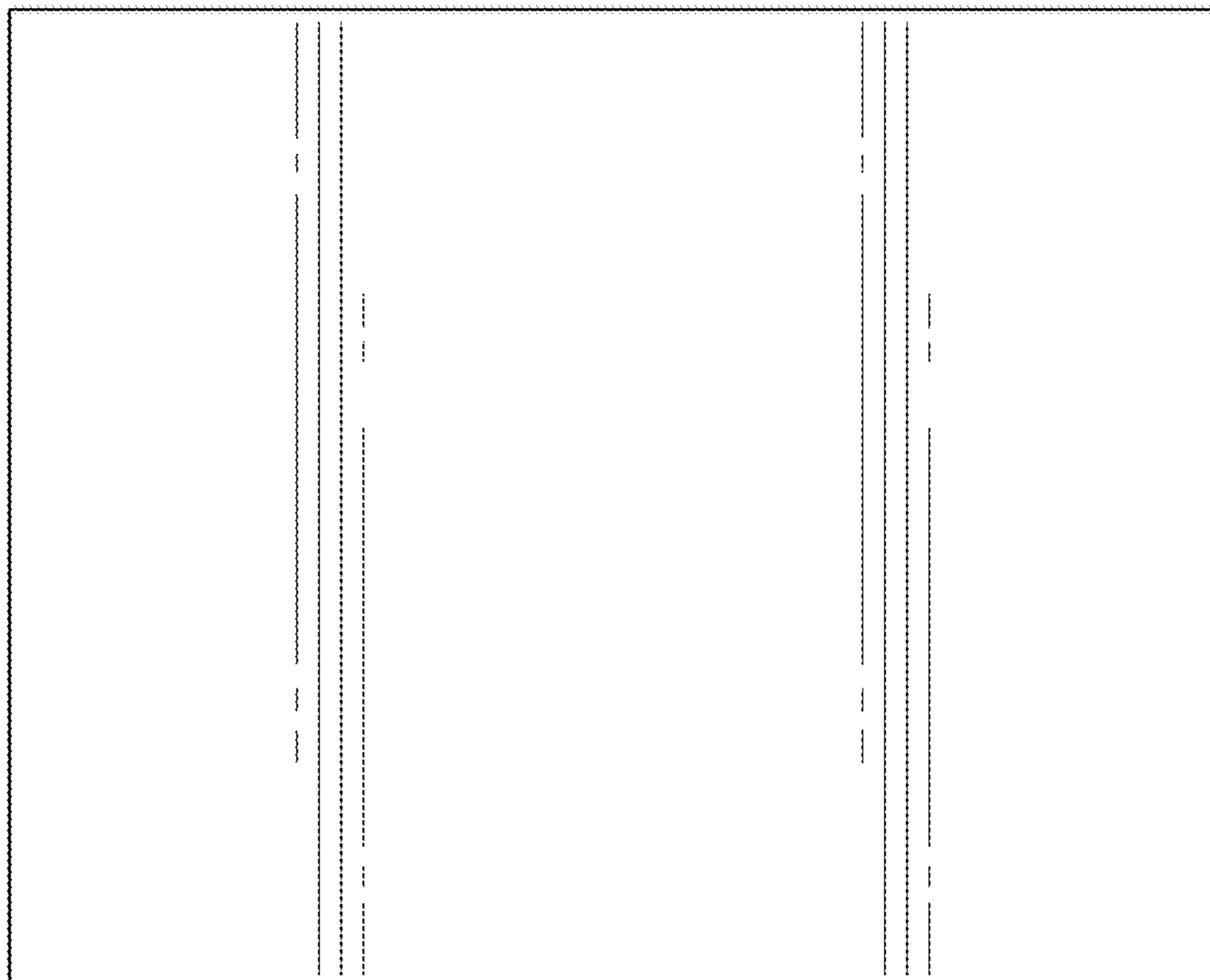


FIG. 5