

US00D861876S

(12) **United States Design Patent**  
**Winters**

(10) **Patent No.:** **US D861,876 S**  
(45) **Date of Patent:** **\*\* Oct. 1, 2019**

- (54) **AIMING RING**
- (71) Applicant: **FLOW DENTAL PRODUCTS, LLC**,  
Deer Park, NY (US)
- (72) Inventor: **William Winters**, White Plains, NY  
(US)
- (73) Assignee: **FLOW DENTAL PRODUCTS, LLC**,  
Deer Park, NY (US)

6,033,111 A *	3/2000	Winters	.....	A61B 6/145 378/168
6,190,042 B1 *	2/2001	Dove	.....	A61B 6/145 378/167
6,343,875 B1 *	2/2002	Eppinger	.....	A61B 6/145 378/170
8,016,483 B2 *	9/2011	Steward, Jr.	.....	A61B 6/145 378/168
D728,795 S *	5/2015	Steward, Jr.	.....	D24/161
2002/0076002 A1 *	6/2002	Eppinger	.....	G03B 42/042 378/170
2013/0089185 A1 *	4/2013	Winters	.....	A61B 6/145 378/170

(\*\*) Term: **15 Years**

\* cited by examiner

(21) Appl. No.: **29/635,181**

*Primary Examiner* — Wan Laymon

(22) Filed: **Jan. 29, 2018**

(74) *Attorney, Agent, or Firm* — Gottlieb, Rackman & Reisman, P.C.

(51) **LOC (12) Cl.** ..... **24-02**

(52) **U.S. Cl.**  
USPC ..... **D24/176; D24/161**

(58) **Field of Classification Search**  
USPC ..... D24/180–182, 177–178, 158, 161, 185,  
D24/231; 378/167–168, 170;  
433/213–214

CPC ..... G03B 42/042; A61B 6/14; A61B 6/145  
See application file for complete search history.

(57) **CLAIM**

The ornamental design for an aiming ring, as shown and described.

**DESCRIPTION**

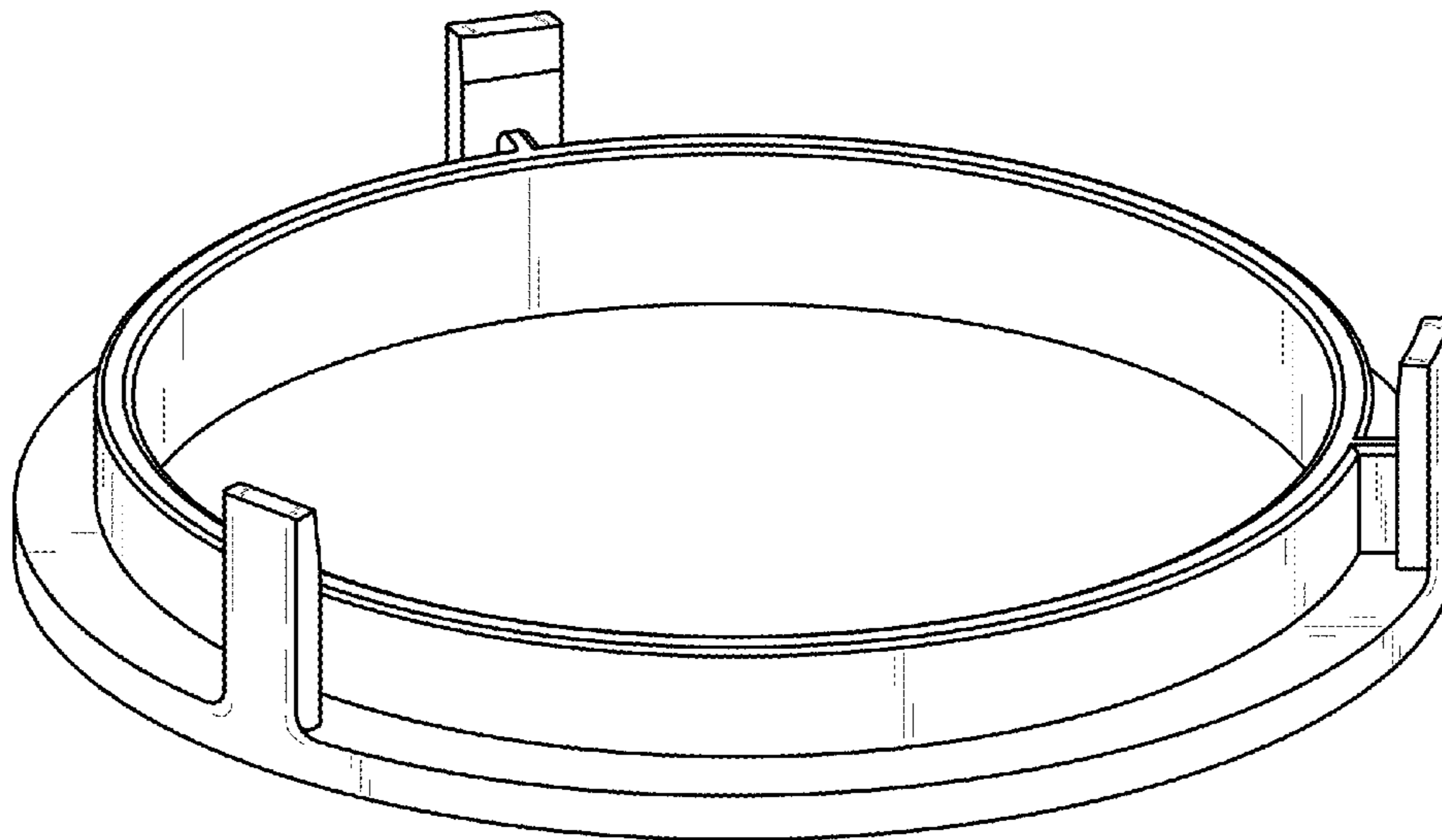
FIG. 1 is a top perspective view of the aiming ring showing my new design;  
FIG. 2 is a top view of my new design;  
FIG. 3 is a bottom view thereof;  
FIG. 4 is a right side view thereof;  
FIG. 5 is a left side view thereof;  
FIG. 6 is a front view thereof; and,  
FIG. 7 is a back view thereof.

(56) **References Cited**

U.S. PATENT DOCUMENTS

D237,016 S *	9/1975	Stevenson	.....	D24/161
D281,353 S *	11/1985	Sico, Jr.	.....	D24/158
5,289,522 A *	2/1994	Kanbar	.....	G03B 42/042 378/170
D370,732 S *	6/1996	Smith	.....	D24/176

**1 Claim, 5 Drawing Sheets**



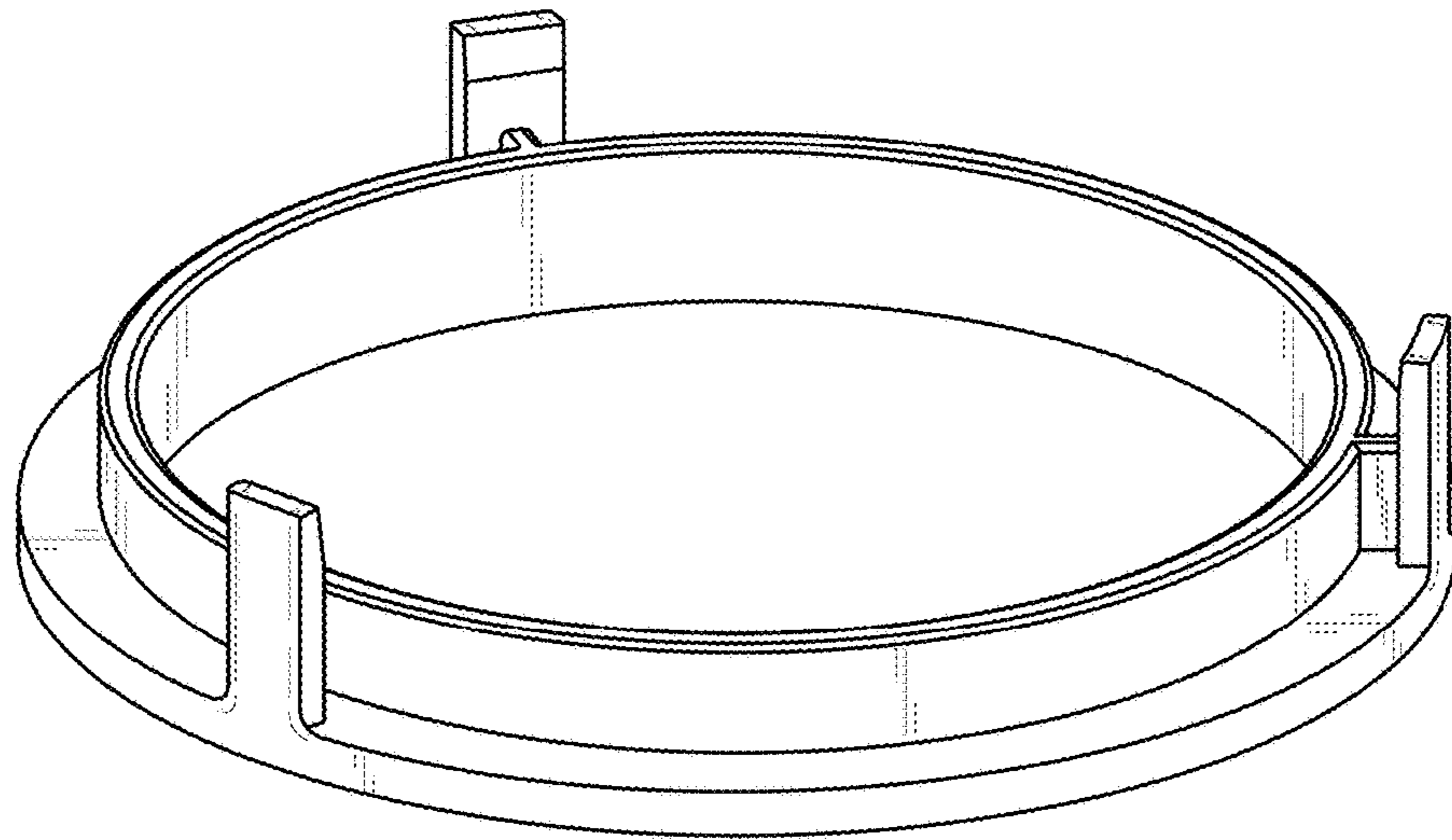


FIG. 1

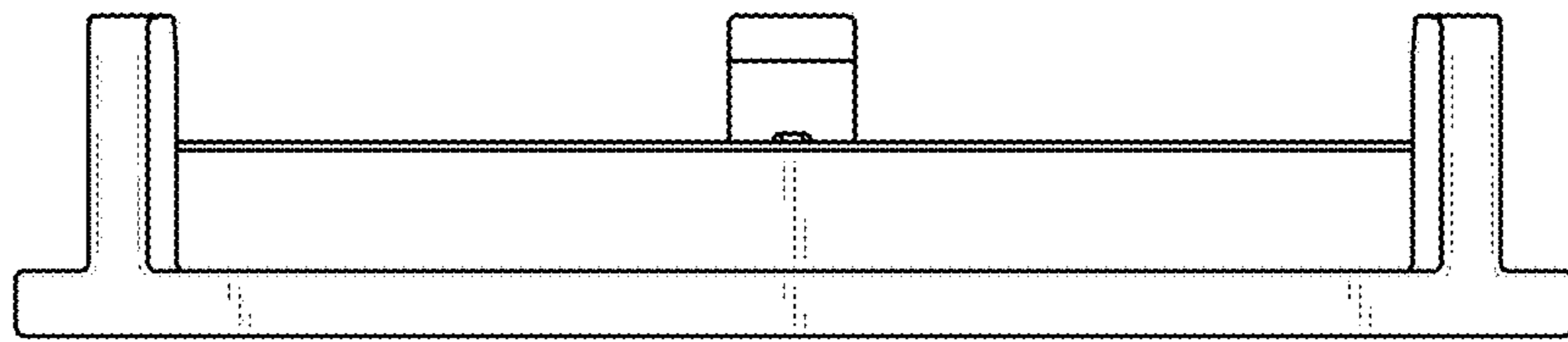


FIG. 2

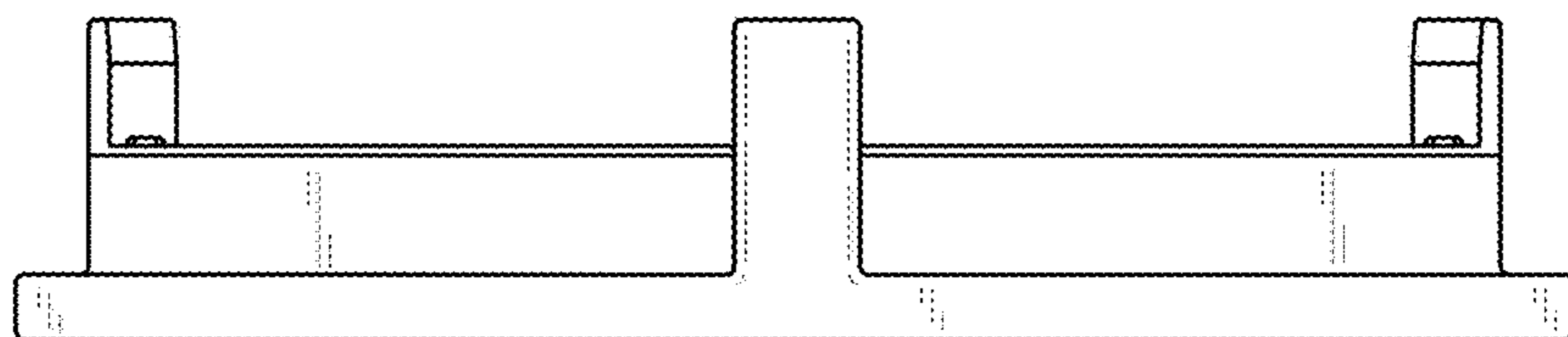


FIG. 3

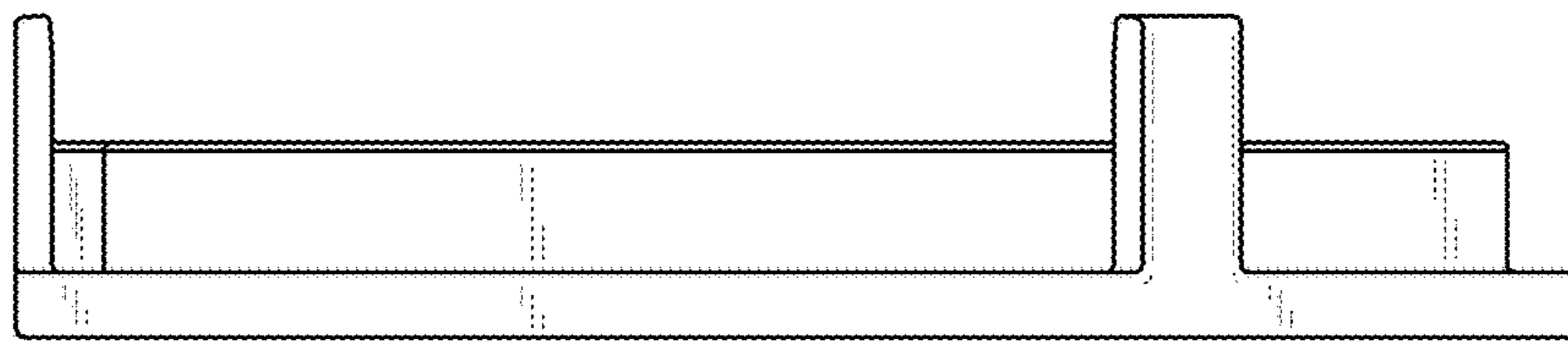


FIG. 4

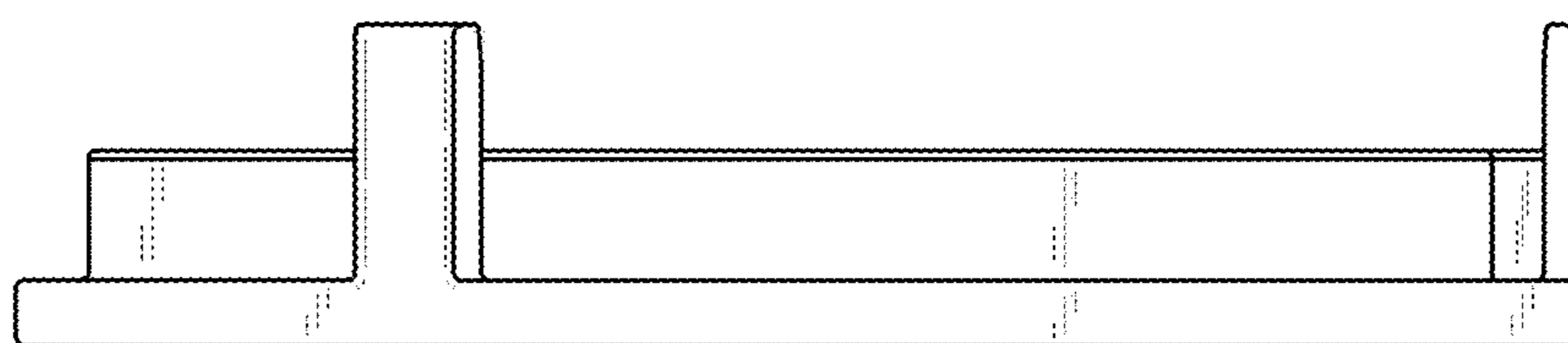


FIG. 5

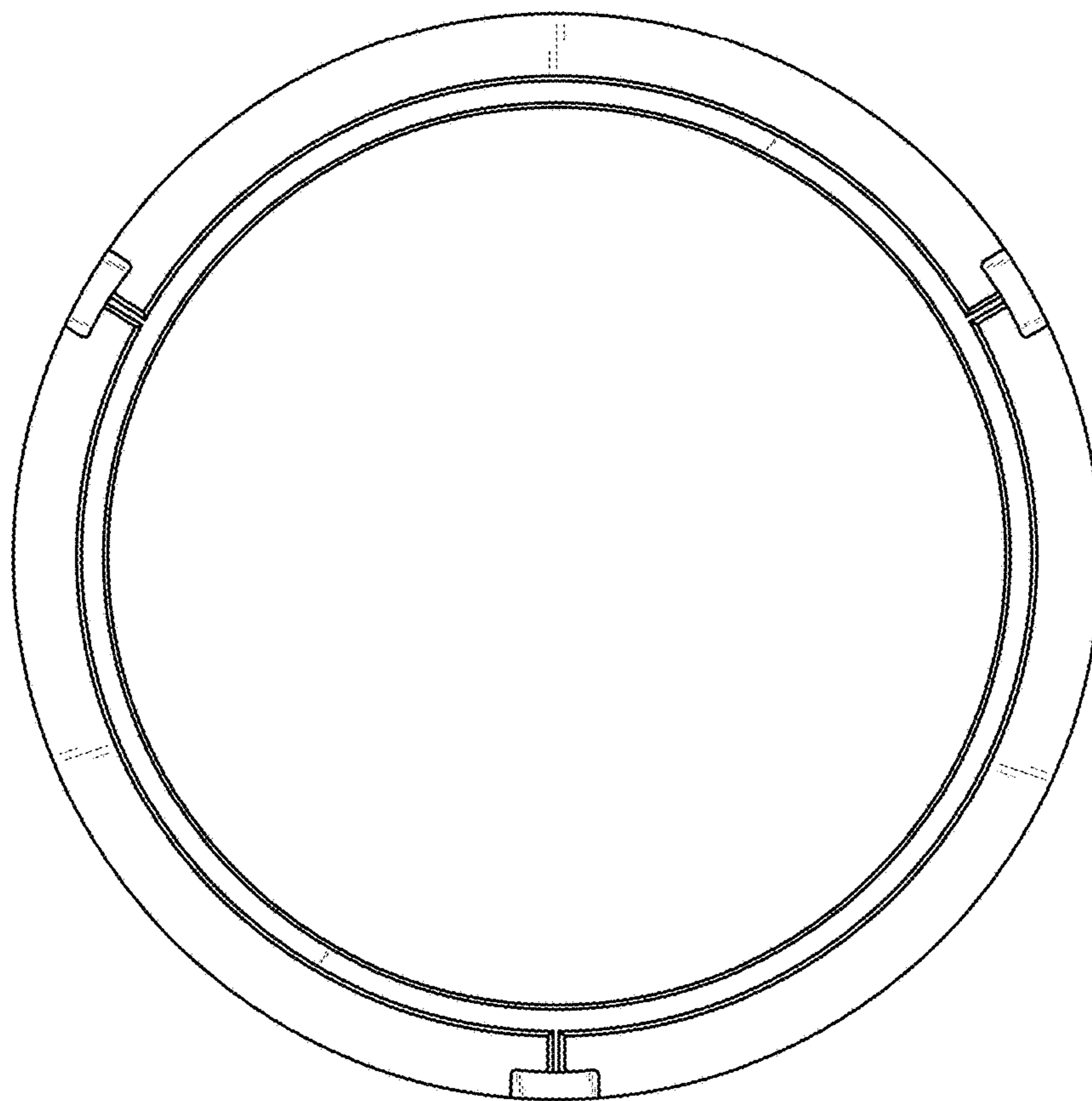


FIG. 6

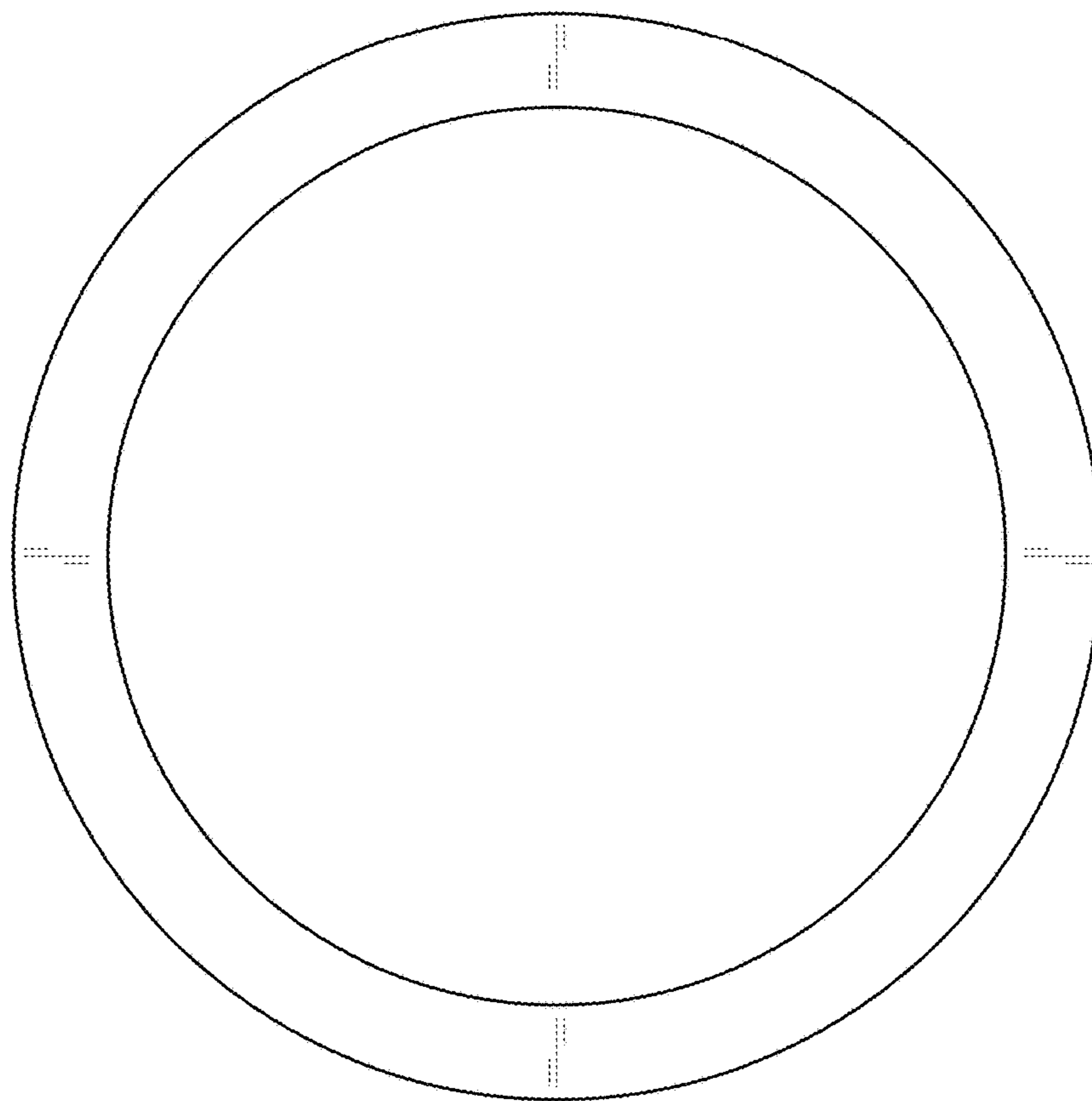


FIG. 7