



US00D861873S

(12) **United States Design Patent**
Sinha et al.

(10) **Patent No.:** **US D861,873 S**
(45) **Date of Patent:** **** Oct. 1, 2019**

(54) **CONTAINER FOR A FORCED AIR WARMING MACHINE**

(71) Applicant: **Care Essentials Pty Ltd**, Victoria (AU)

(72) Inventors: **Abhay Sinha**, Victoria (AU); **Ishan Sinha**, Victoria (AU)

(73) Assignee: **Care Essentials Pty Ltd**, North Geelong (AU)

(**) Term: **15 Years**

(21) Appl. No.: **29/622,477**

(22) Filed: **Oct. 17, 2017**

(30) **Foreign Application Priority Data**

May 2, 2017 (AU) 201712588

(51) **LOC (12) Cl.** **24-02**

(52) **U.S. Cl.**
USPC **D24/164; D9/430; D9/418**

(58) **Field of Classification Search**
USPC ... D24/164, 165, 186, 185, 231, 234, 110.5, D24/110.6; D9/432, 433, 423, 430, 439, D9/418, 428
CPC A61F 7/007; A61F 2007/0088; A61F 2007/0089
See application file for complete search history.

(56) **References Cited**

U.S. PATENT DOCUMENTS

- 2,926,781 A * 3/1960 Dickens B65D 71/16 206/526
- D227,229 S * 6/1973 Funahashi D9/415
- D346,863 S * 5/1994 Choate D24/164
- D349,458 S * 8/1994 Verdaguer D9/415
- D455,073 S * 4/2002 Mizrahi D9/418
- D492,900 S * 7/2004 Block D9/418

(Continued)

FOREIGN PATENT DOCUMENTS

JP D1497491 * 5/2014
WO WO-2010102086 A2 * 9/2010 A61F 7/0053

OTHER PUBLICATIONS

Made in China. Link: <https://www.made-in-china.com/showroom/dachengmedical-2017/product-detailpqQndYtJuFfL/China-Patient-Warming-System-Forced-Air-Warming-System.html>. Visited Feb. 1, 2019. Patient Warming System Forced Air Warming System. (Year: 2019).*

Primary Examiner — Susan Bennett Hattan

Assistant Examiner — Lauren D McVey

(74) *Attorney, Agent, or Firm* — Rahman LLC

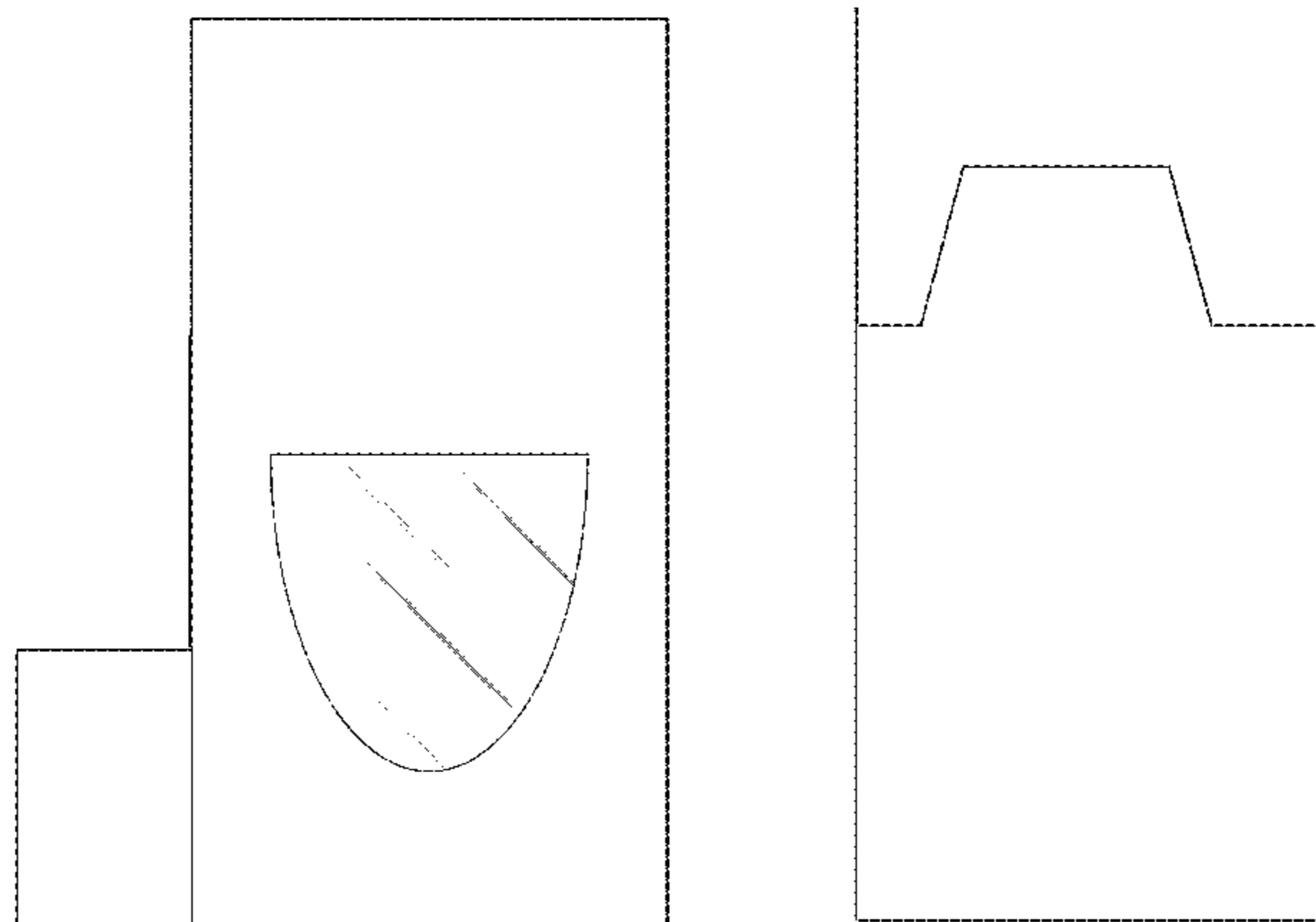
(57) **CLAIM**

The ornamental design for a container for a forced air warming machine, as shown and described.

DESCRIPTION

FIG. 1 is a front perspective view of a container for a forced air warming machine showing the claimed design; FIG. 2 is a rear perspective view of a container for a forced air warming machine showing the claimed design; FIG. 3 is a front view of a container for a forced air warming machine showing the claimed design; FIG. 4 is a rear view of a container for a forced air warming machine showing the claimed design; FIG. 5 is a left-side view of a container for a forced air warming machine showing the claimed design; FIG. 6 is a right-side view of a container for a forced air warming machine showing the claimed design; FIG. 7 is a top view of a container for a forced air warming machine showing the claimed design; and, FIG. 8 is a bottom view of a container for a forced air warming machine showing the claimed design. The difference in stippled shading is meant to indicate a contrast in appearance. The broken lines shown in the views

(Continued)



are included for the purpose of illustrating portions of the article that form no part of the claimed design.

1 Claim, 8 Drawing Sheets

(56) **References Cited**

U.S. PATENT DOCUMENTS

D567,646 S *	4/2008	Ballard	D9/415
D635,052 S *	3/2011	Rooney	D11/146
D665,084 S *	8/2012	Ishihara	D24/186
D738,717 S *	9/2015	Lujardo	D9/418
D746,677 S *	1/2016	Candelaria	D9/430
D775,523 S *	1/2017	Platt	D9/418
D795,687 S *	8/2017	Pollock	D9/418

* cited by examiner

FIG. 1

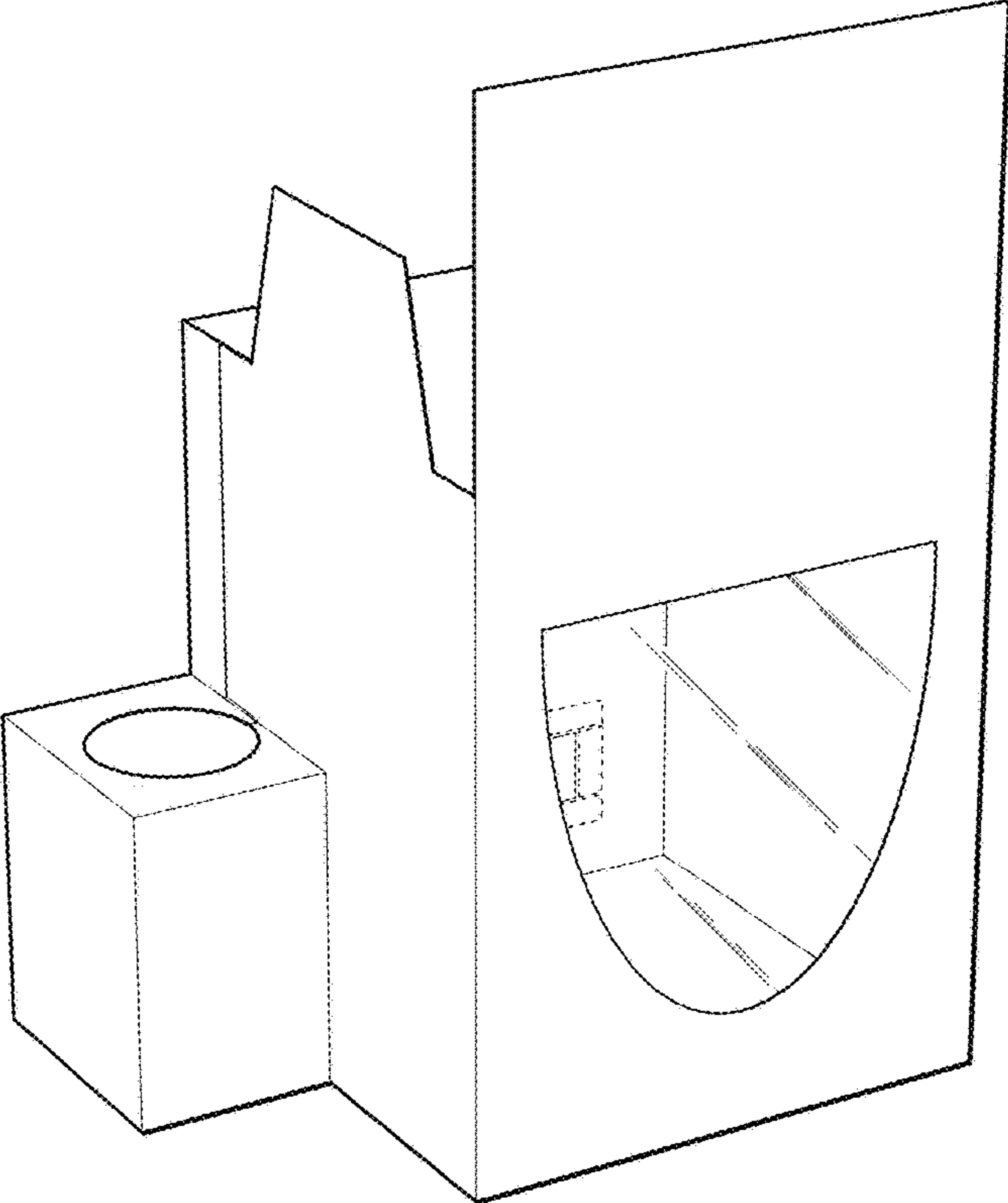


FIG. 2

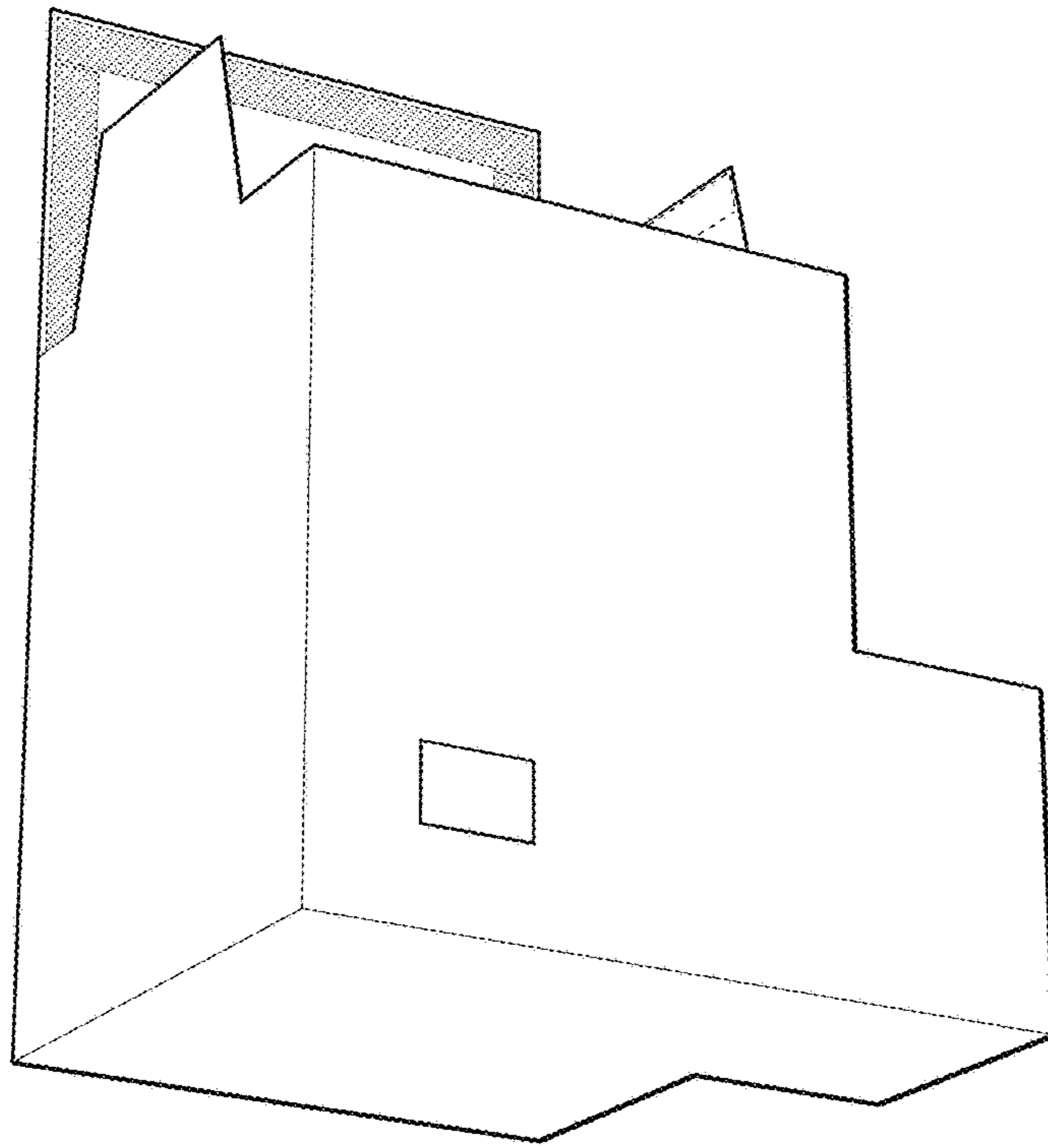


FIG. 3

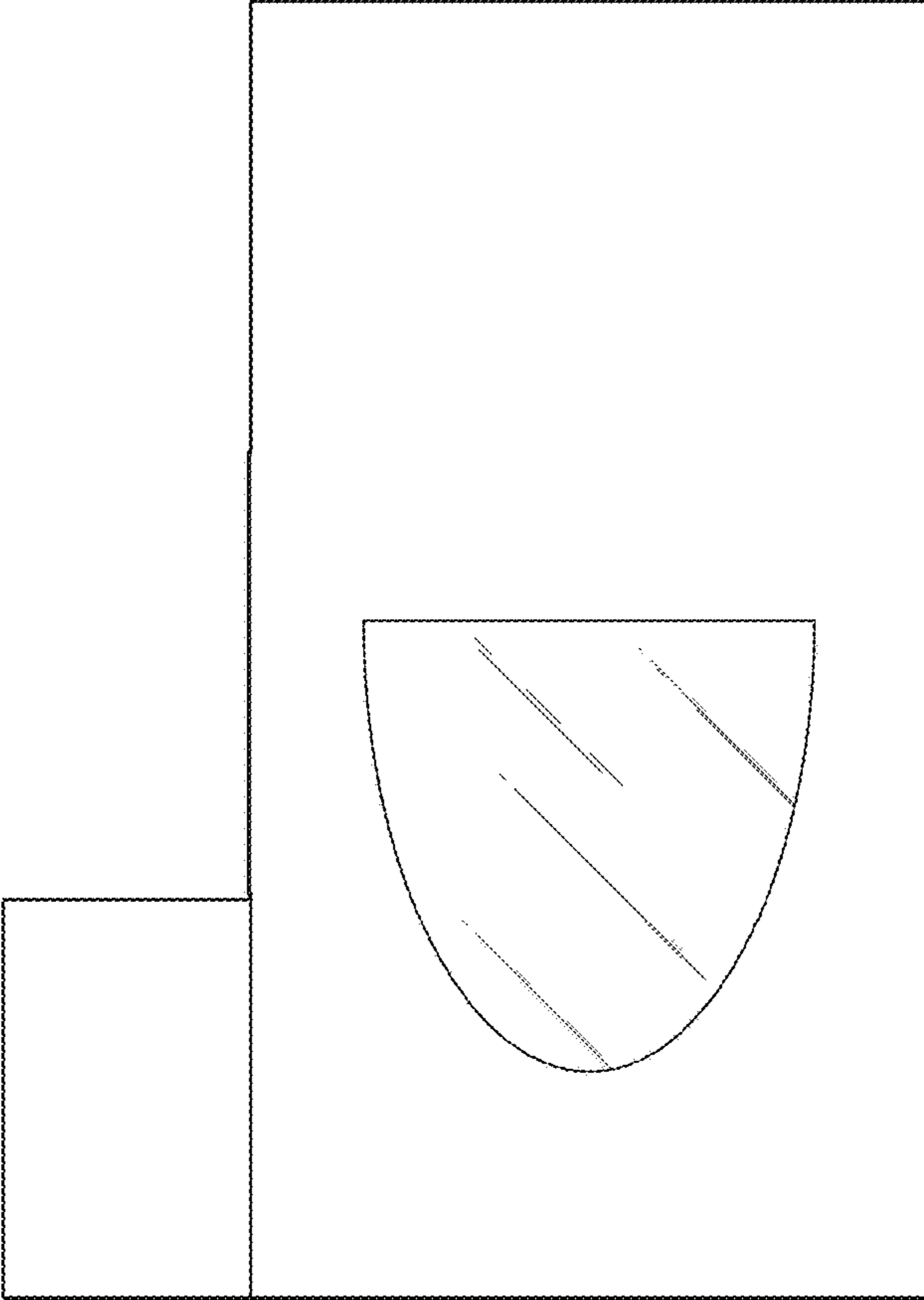


FIG. 4

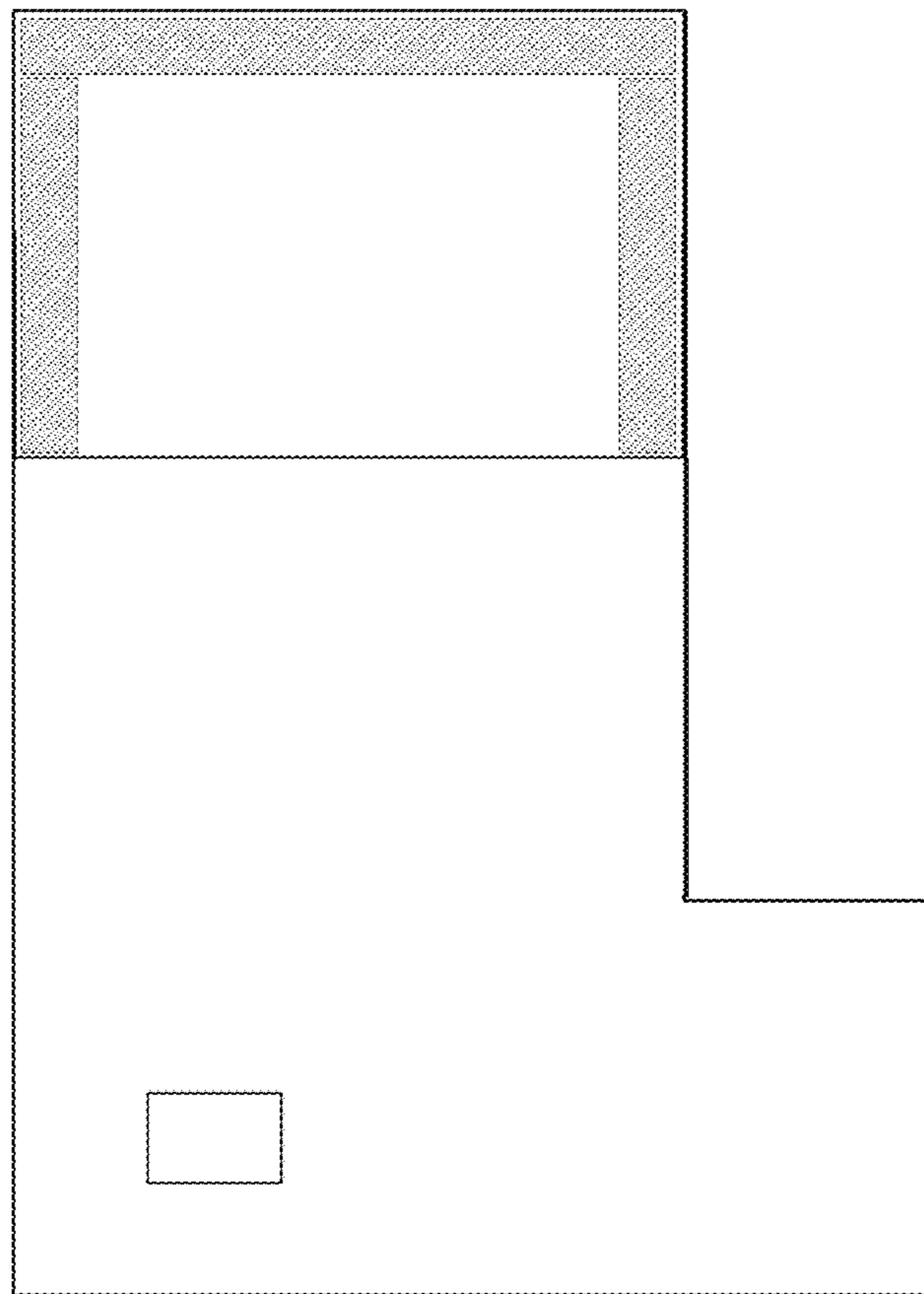


FIG. 5

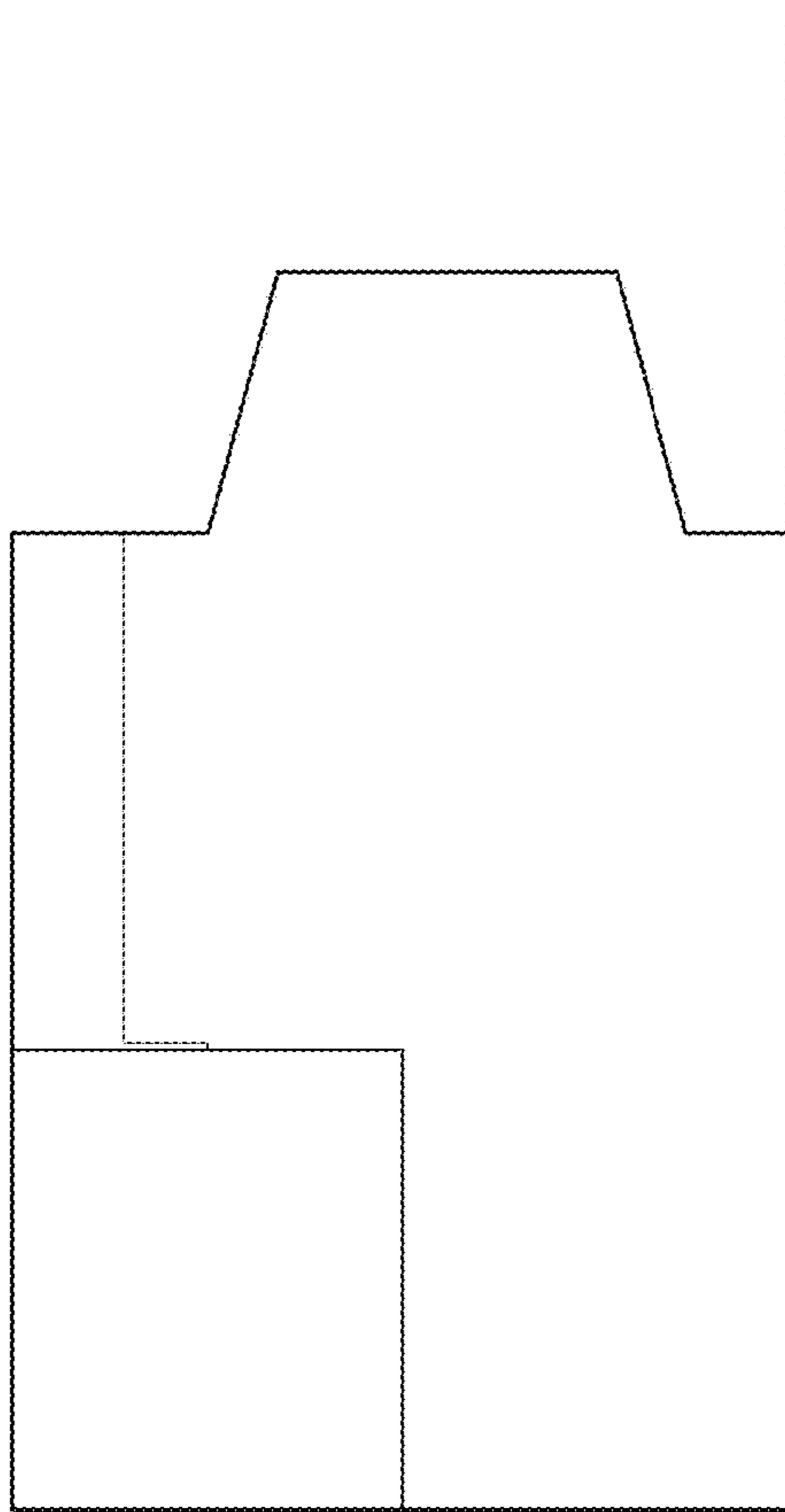


FIG. 6

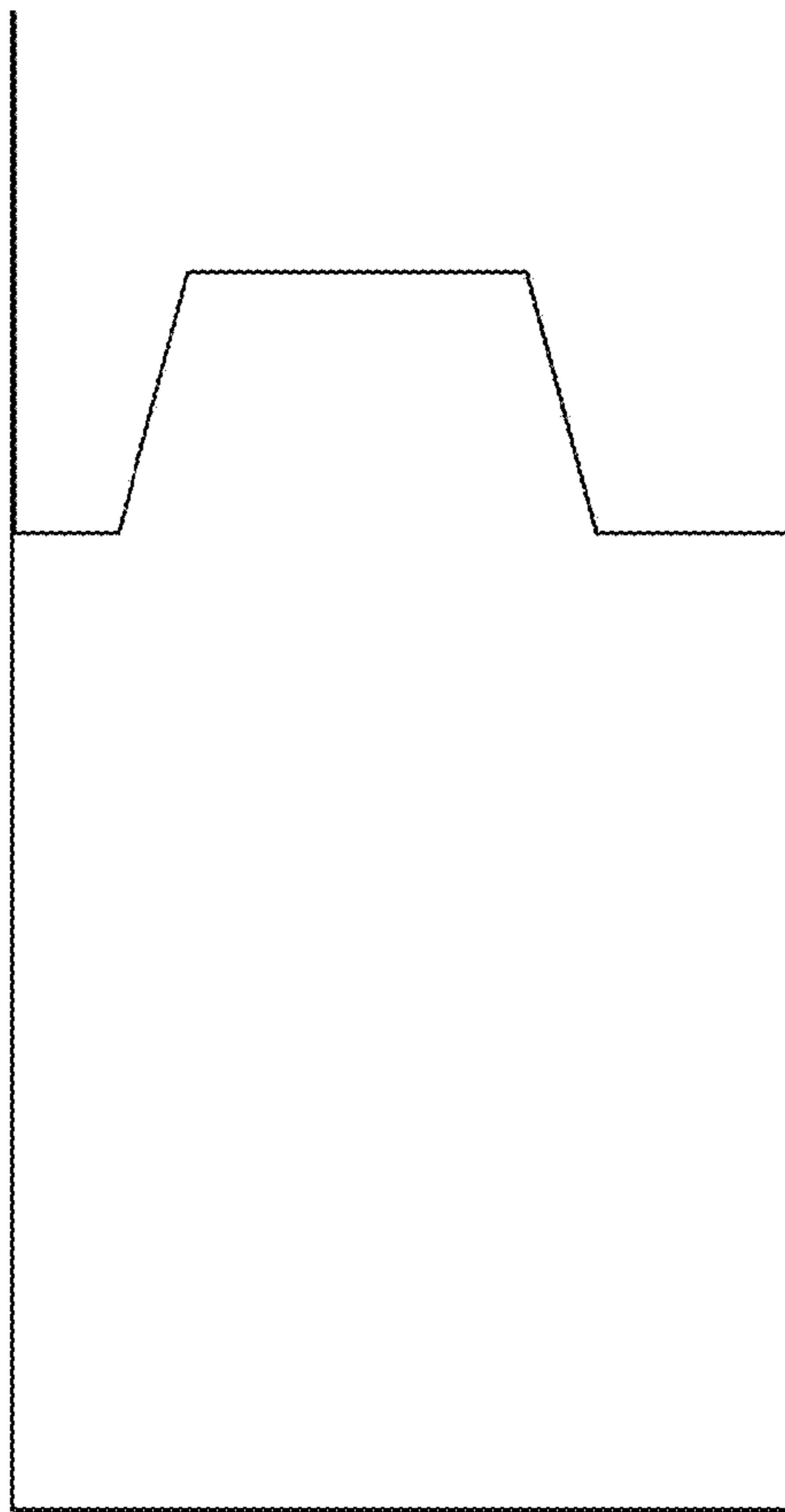


FIG. 7

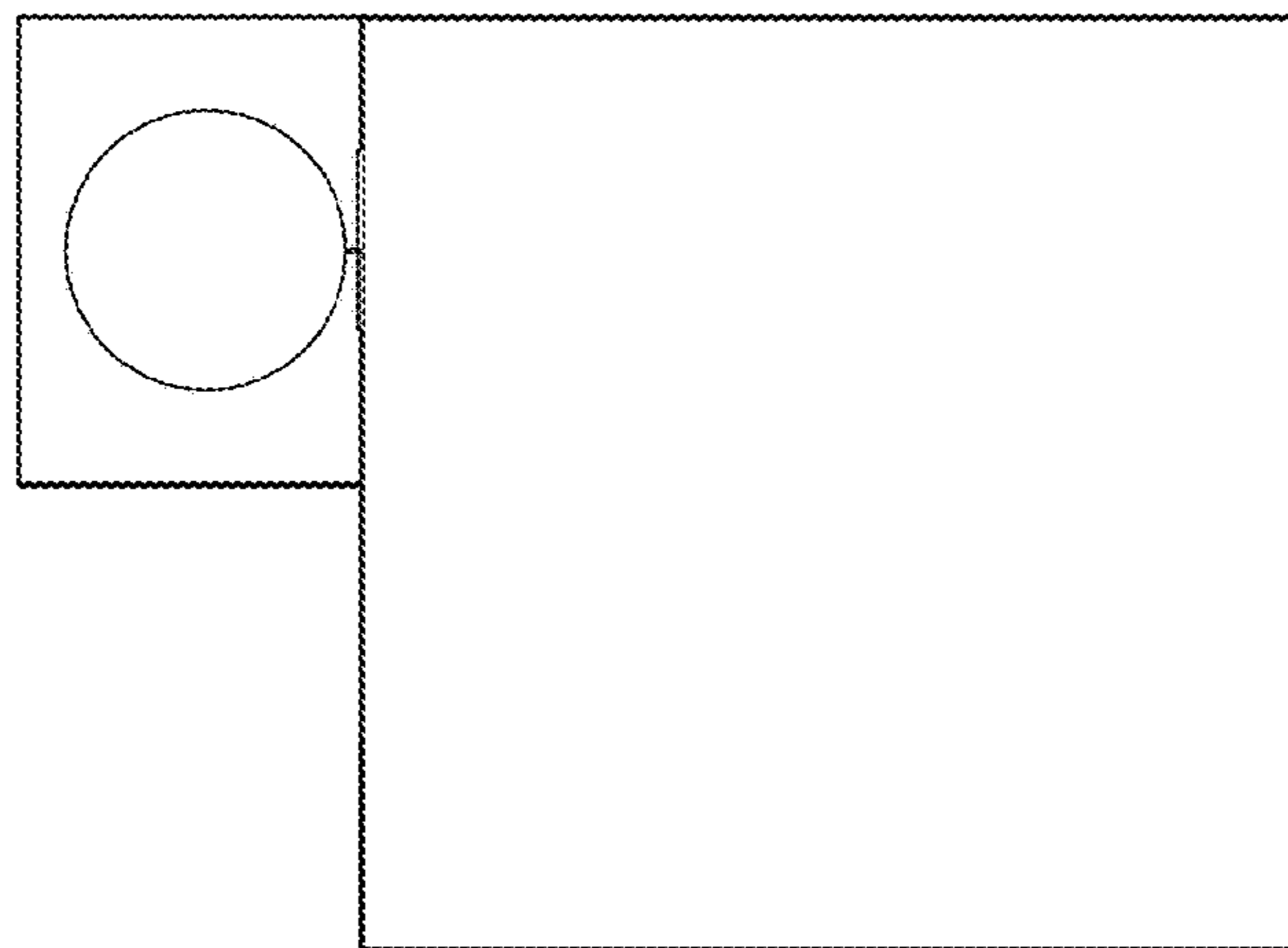


FIG. 8

