



US00D861872S

(12) **United States Design Patent**  
**Sinha et al.**

(10) **Patent No.:** **US D861,872 S**  
(45) **Date of Patent:** **\*\* \*Oct. 1, 2019**

(54) **COMBINED CONTAINER, SLEEVE AND FILTER CAP FOR A FORCED AIR WARMING MACHINE**

FOREIGN PATENT DOCUMENTS

WO WO-2010102086 A2 \* 9/2010 ..... A61F 7/0053

(71) Applicant: **Care Essentials Pty Ltd**, Victoria (AU)

OTHER PUBLICATIONS

(72) Inventors: **Abhay Sinha**, Victoria (AU); **Ishan Sinha**, Victoria (AU)

Made in China. Link: <https://www.made-in-china.com/showroom/dachengmedical-2017/product-detailpqQndYtJuFfL/China-Patient-Warming-System-Forced-Air-Warming-System.html>. Visited Feb. 1, 2019. Patient Warming System Forced Air Warming System. (Year: 2019).\*

(73) Assignee: **Care Essentials Pty Ltd**, North Geelong (AU)

(\* ) Notice: This patent is subject to a terminal disclaimer.

*Primary Examiner* — Susan Bennett Hattan

*Assistant Examiner* — Lauren D McVey

(\*\*) Term: **15 Years**

(74) *Attorney, Agent, or Firm* — Rahman LLC

(21) Appl. No.: **29/622,467**

(57) **CLAIM**

(22) Filed: **Oct. 17, 2017**

The ornamental design for a combined container, sleeve and filter cap for a forced air warming machine, as shown and described.

(30) **Foreign Application Priority Data**

**DESCRIPTION**

May 2, 2017 (AU) ..... 201712595

(51) **LOC (12) Cl.** ..... **24-02**

(52) **U.S. Cl.**  
USPC ..... **D24/164**; D9/432; D9/418

(58) **Field of Classification Search**  
USPC ... D24/164, 165, 186, 185, 231, 234, 110.5, D24/110.6; D9/432, 433, 423, 430, 439, D9/418, 428  
CPC ..... A61F 7/007; A61F 2007/0088; A61F 2007/0089  
See application file for complete search history.

FIG. 1 is a front perspective view of a combined container, sleeve and filter cap for a forced air warming machine showing the claimed design;  
FIG. 2 is a rear perspective view thereof;  
FIG. 3 is a front view thereof;  
FIG. 4 is a rear view thereof;  
FIG. 5 is a left-side view thereof;  
FIG. 6 is a right-side view thereof;  
FIG. 7 is a top view thereof; and,  
FIG. 8 is a bottom view thereof.

(56) **References Cited**

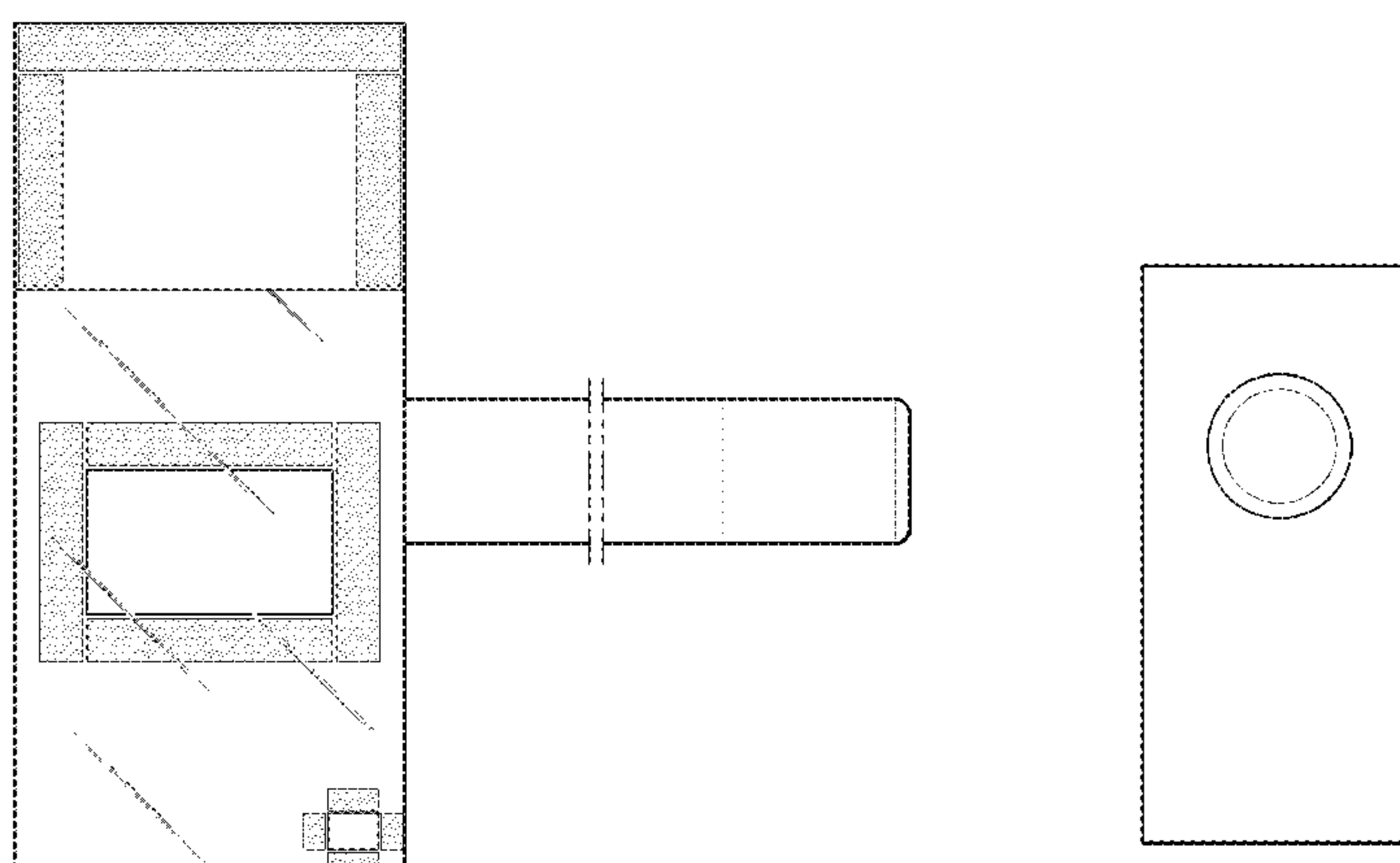
U.S. PATENT DOCUMENTS

2,926,781 A \* 3/1960 Dickens ..... B65D 71/16  
206/526  
D227,229 S \* 6/1973 Funahashi ..... D9/415  
D346,863 S \* 5/1994 Choate ..... D24/164  
D349,458 S \* 8/1994 Verdaguer ..... D9/415  
D543,451 S \* 5/2007 Timmermans ..... D9/418

The difference in stippled shading is meant to indicate a contrast in appearance. The sleeve portion of the combined container, sleeve and filter cap for a forced air warming machine is shown with a symbolic break in its length. The appearance of any portion of the article between the dot-dot-dash break lines forms no part of the claimed design. The broken lines shown in the views are included for the purpose of illustrating portions of the article that form no part of the claimed design.

(Continued)

**1 Claim, 8 Drawing Sheets**



(56)

**References Cited**

U.S. PATENT DOCUMENTS

D567,646 S *	4/2008	Ballard .....	D9/415
D635,052 S *	3/2011	Rooney .....	D11/146
D710,687 S *	8/2014	Katopo .....	D9/432
D738,717 S *	9/2015	Lujardo .....	D9/418
D746,677 S *	1/2016	Candelaria .....	D9/430
D764,272 S *	8/2016	Hoglund .....	D9/420
D795,687 S *	8/2017	Pollock .....	D9/418
RE47,139 E *	11/2018	Katopo .....	D9/432

\* cited by examiner

FIG. 1

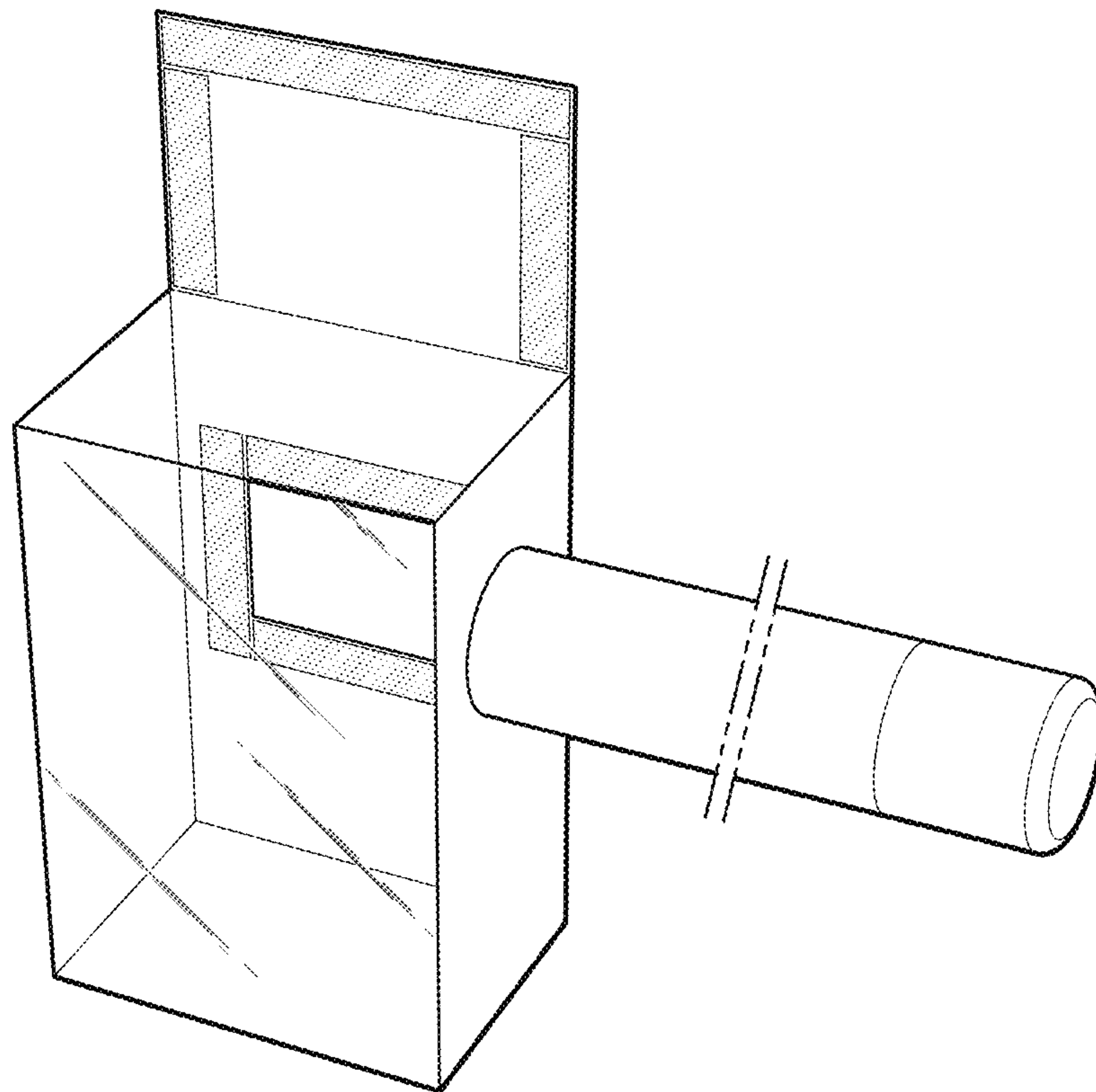


FIG. 2

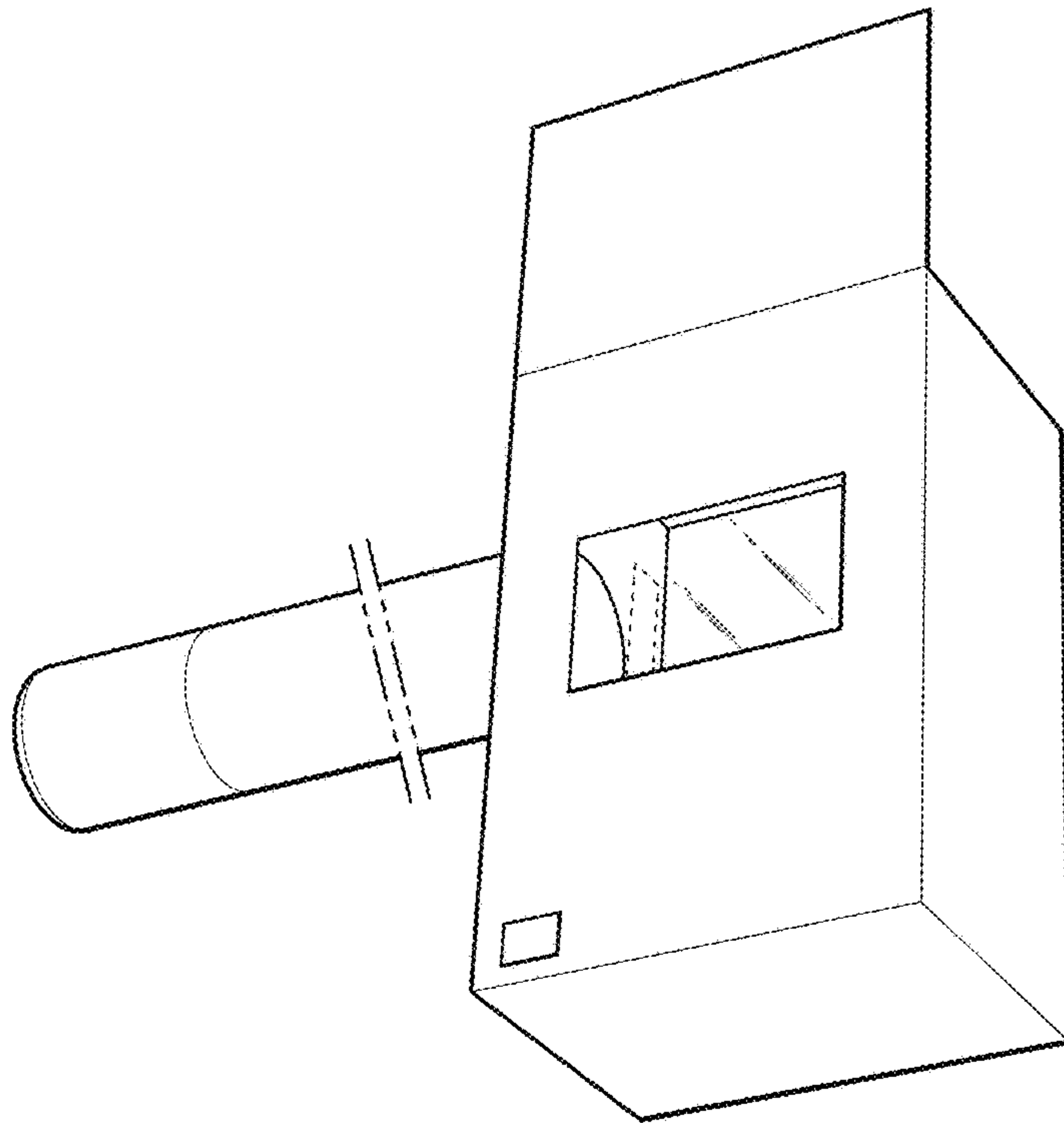


FIG. 3

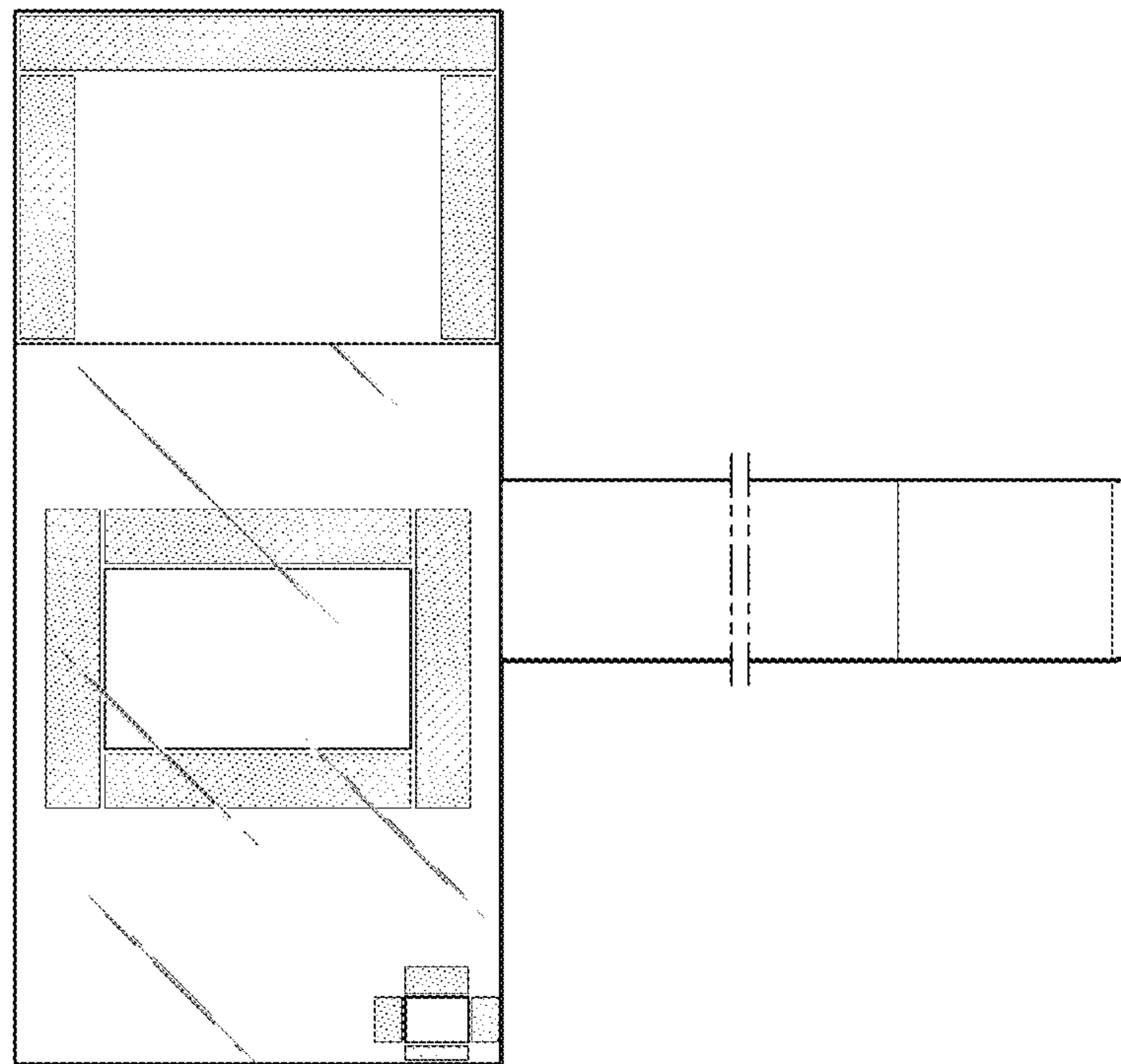


FIG. 4

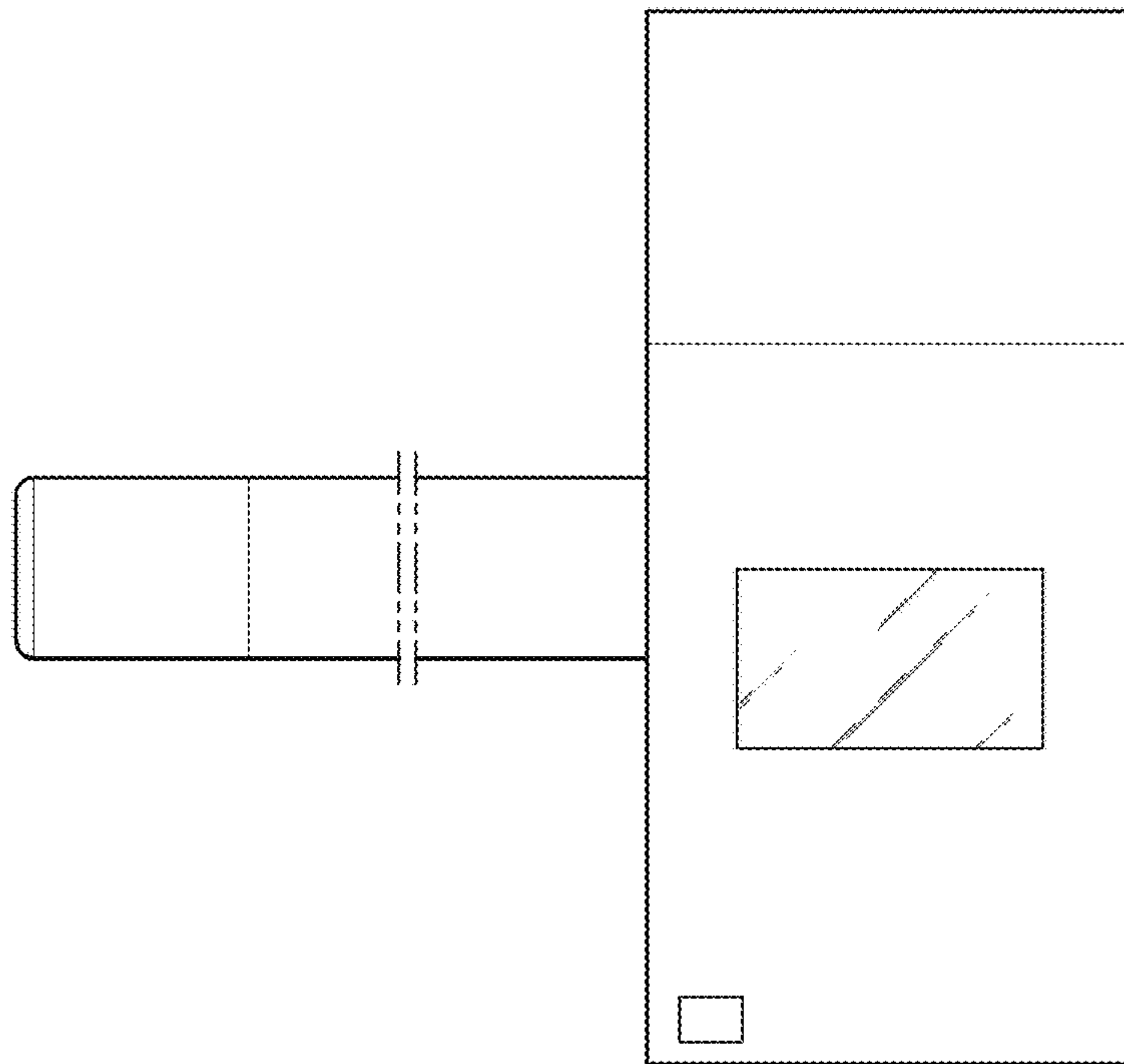


FIG. 5

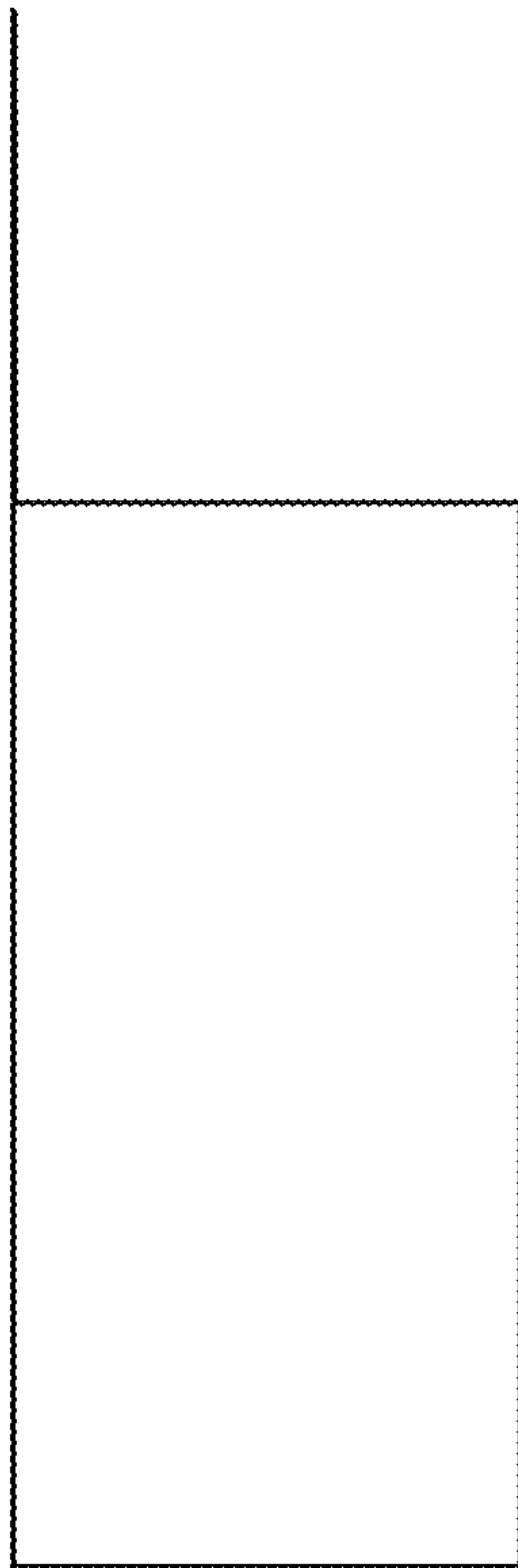


FIG. 6

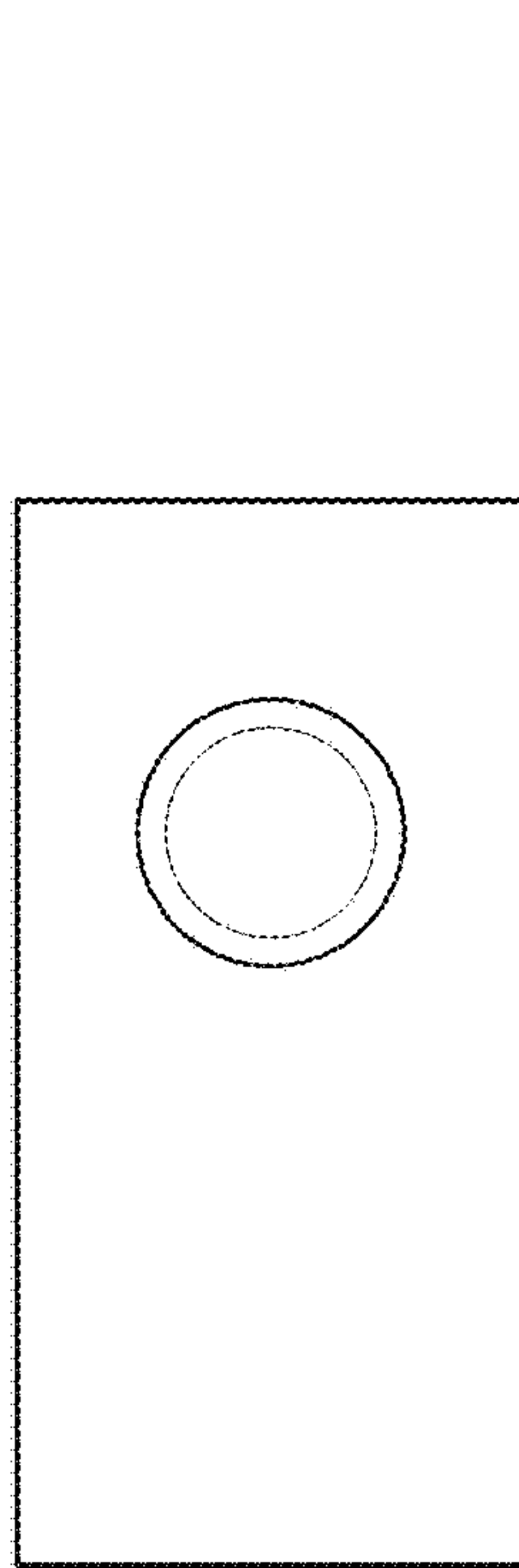




FIG. 7

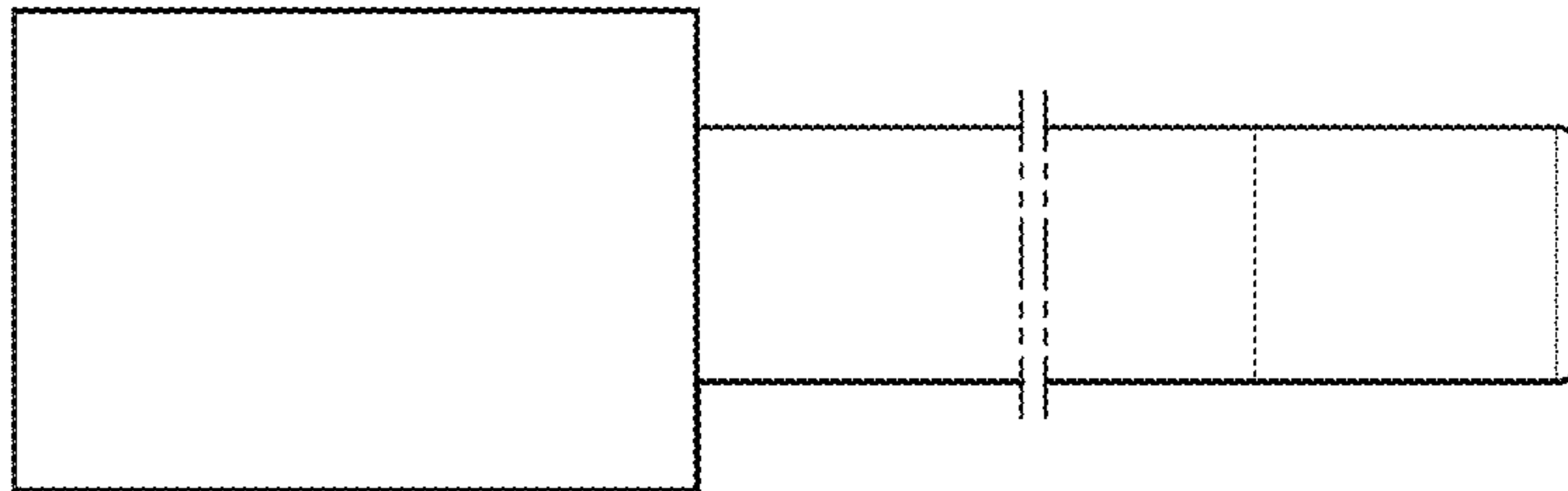


FIG. 8

