



US00D861870S

(12) **United States Design Patent**  
**Chang et al.**

(10) **Patent No.:** **US D861,870 S**  
(45) **Date of Patent:** **\*\* Oct. 1, 2019**

(54) **BED FOR A MAGNETIC RESONANCE TOMOGRAPHY DIAGNOSIS APPARATUS**

D820,453 S \* 6/2018 Personelli ..... D24/159  
D820,459 S \* 6/2018 Eenboom ..... D24/183  
D829,913 S \* 10/2018 Kitayama ..... D24/159  
D841,170 S \* 2/2019 Sul ..... D24/183

(71) Applicant: **Canon Medical Systems Corporation**,  
Otawara-shi, Tochigi (JP)

FOREIGN PATENT DOCUMENTS

(72) Inventors: **Shianwei Chang**, Kawasaki (JP);  
**Noriaki Baba**, Tokyo (JP)

CN 301709738 10/2011  
CN 302222264 12/2012  
CN 303827769 8/2016  
JP 1099130 1/2001  
JP 1239415 5/2005  
JP 1404631 1/2011  
JP 1439214 4/2012  
KR 30-0679709 2/2013  
KR 30-0865784 7/2016

(73) Assignee: **Canon Medical Systems Corporation**,  
Otawara-shi (JP)

(\*\*) Term: **15 Years**

\* cited by examiner

(21) Appl. No.: **29/643,781**

(22) Filed: **Apr. 11, 2018**

*Primary Examiner* — Anhdao Doan

(30) **Foreign Application Priority Data**

(74) *Attorney, Agent, or Firm* — Finnegan, Henderson,  
Farabow, Garrett & Dunner LLP

Nov. 27, 2017 (JP) ..... 2017-026240

(51) **LOC (12) Cl.** ..... **24-01**

(57) **CLAIM**

(52) **U.S. Cl.**  
USPC ..... **D24/159**; D24/183

The ornamental design for a bed for a magnetic resonance tomography diagnosis apparatus, as shown and described.

(58) **Field of Classification Search**  
USPC ..... D24/107, 158–161, 185, 186, 187, 231,  
D24/188, 183, 184  
CPC .. A61B 6/03; A61B 6/035; A61B 5/05; A61B  
5/055; A61B 6/04; A61B 6/0407; A61G  
13/1235; A61G 2210/50; A61F 5/3723;  
A61F 5/3761

**DESCRIPTION**

See application file for complete search history.

FIG. 1 is a perspective view of a bed for a magnetic resonance tomography diagnosis apparatus showing our new design;  
FIG. 2 is a front elevational view thereof;  
FIG. 3 is a rear elevational view thereof;  
FIG. 4 is a top plan view thereof;  
FIG. 5 is a bottom plan view thereof;  
FIG. 6 is a left side elevational view thereof;  
FIG. 7 is a right side elevational view thereof; and,  
FIG. 8 is a front elevational view where the side panel is in a raised position.

(56) **References Cited**

U.S. PATENT DOCUMENTS

D553,246 S \* 10/2007 Banryu ..... D24/183  
D681,208 S 4/2013 Ninomiya et al.  
D724,217 S 3/2015 Wodecki  
D736,934 S \* 8/2015 Kim ..... D24/183  
D770,049 S \* 10/2016 Yanagihara ..... D24/159

**1 Claim, 6 Drawing Sheets**

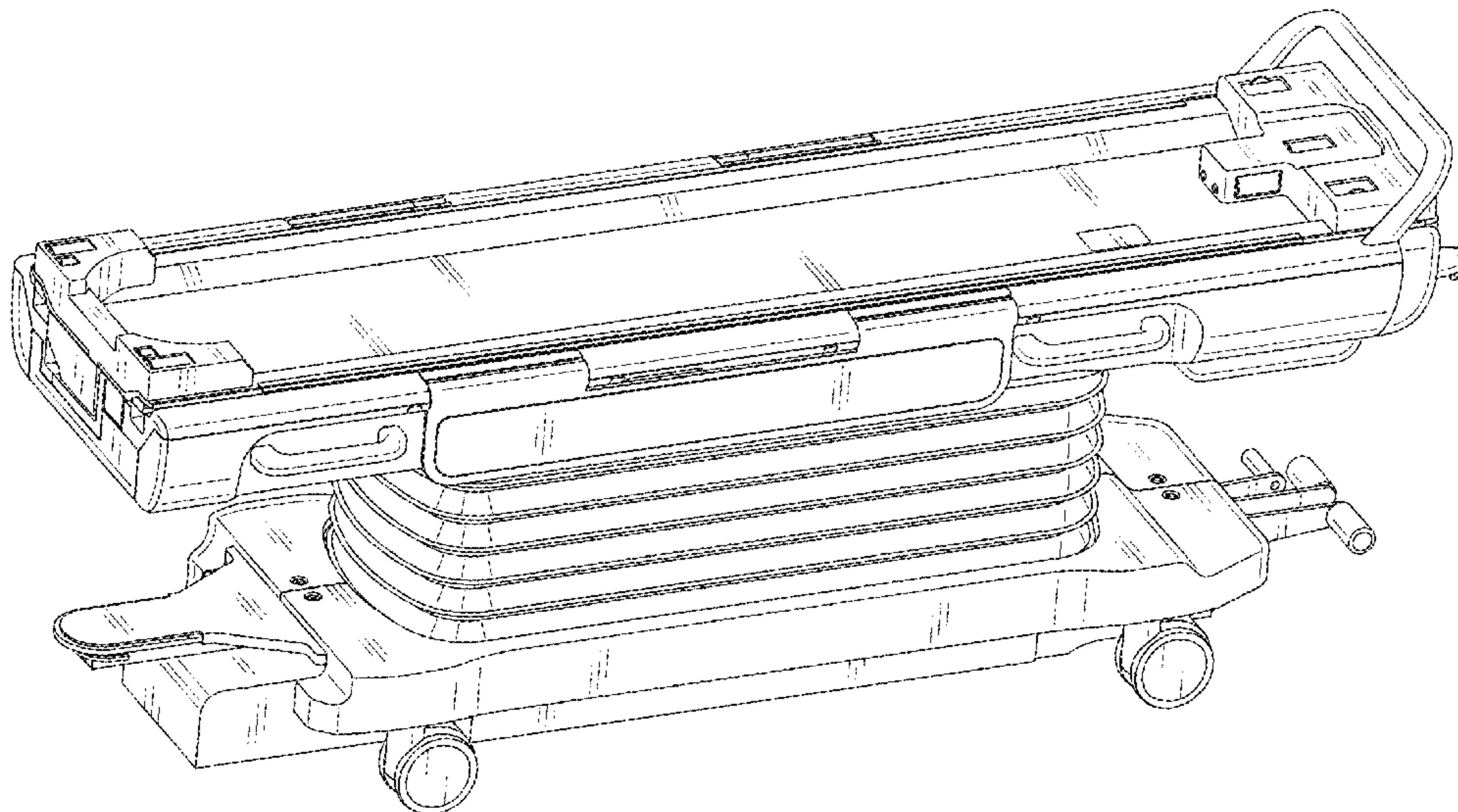


Fig. 1

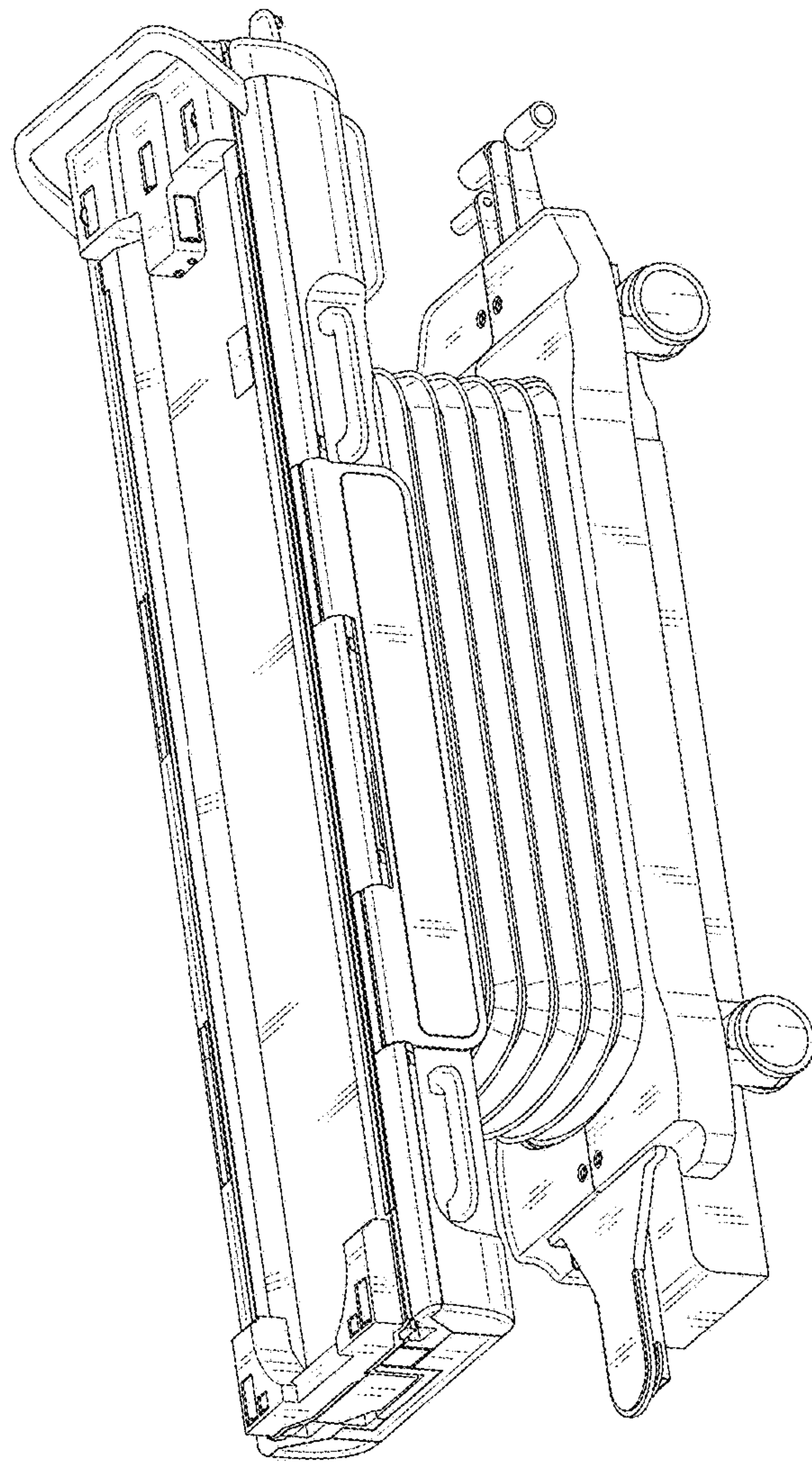


Fig. 2

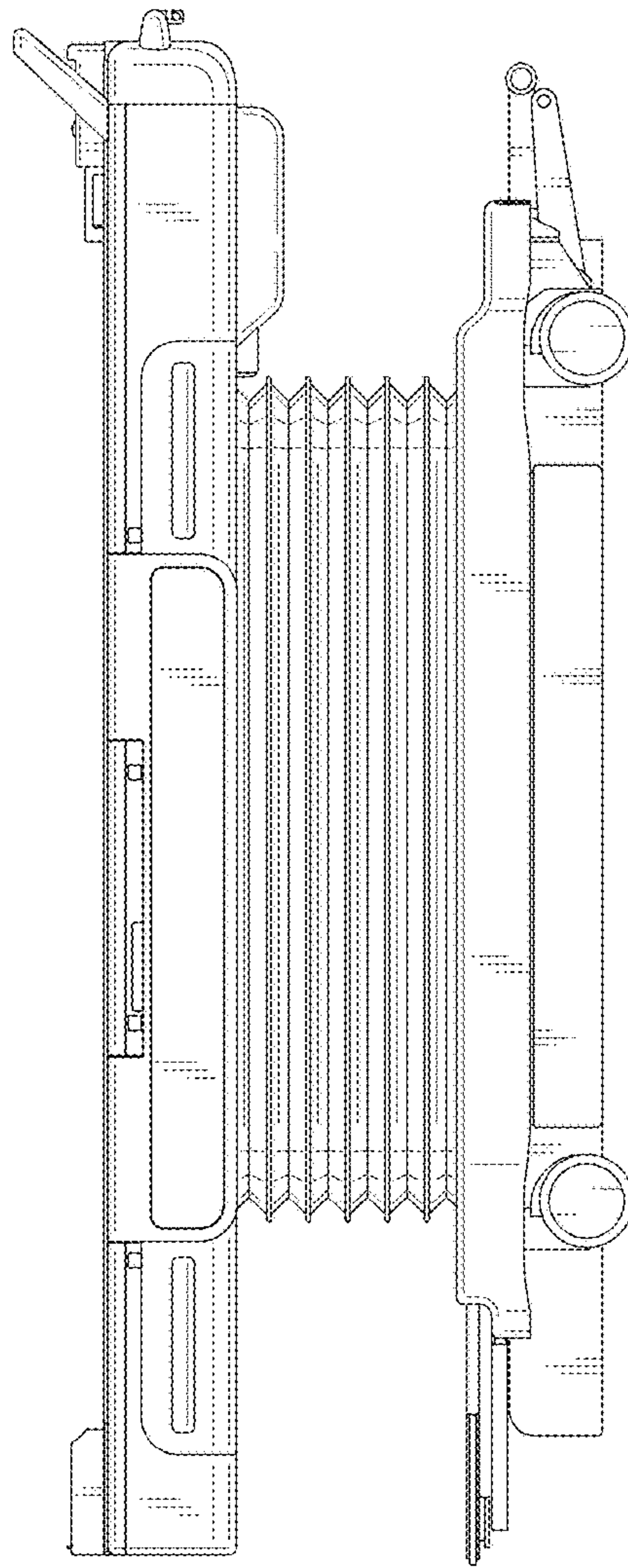




Fig. 3

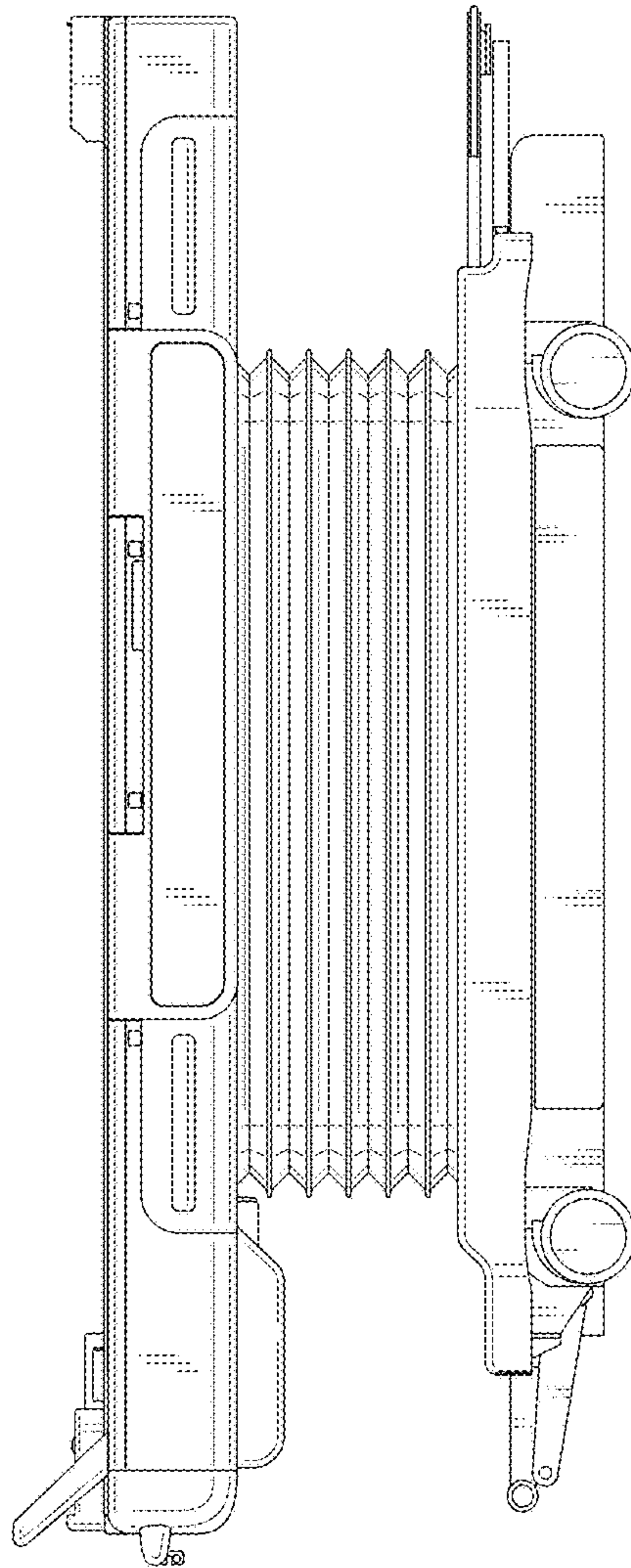


Fig. 4

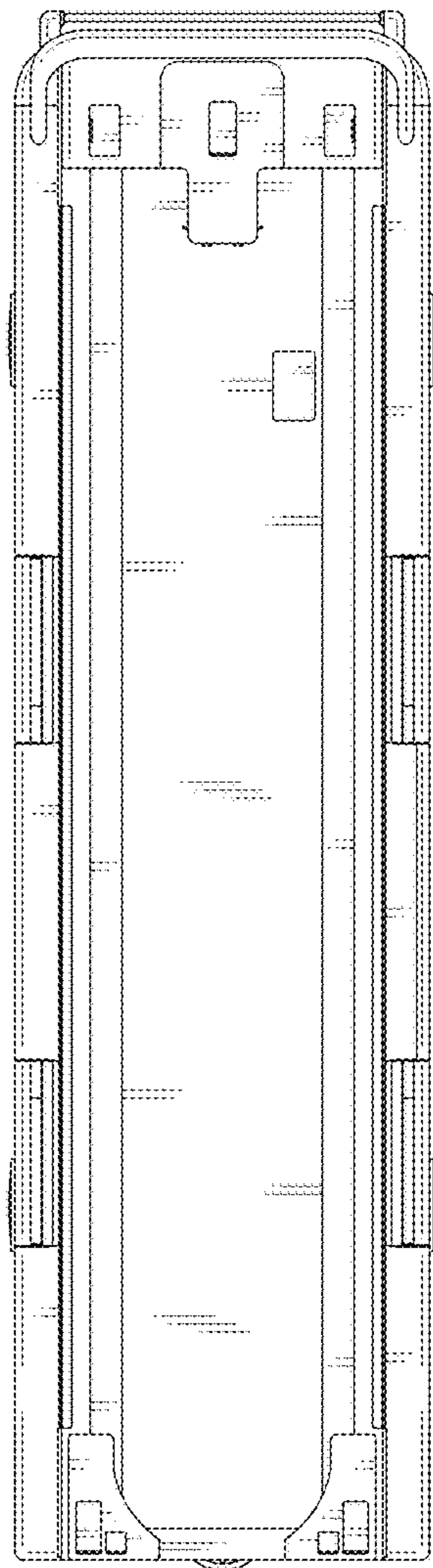


Fig. 5

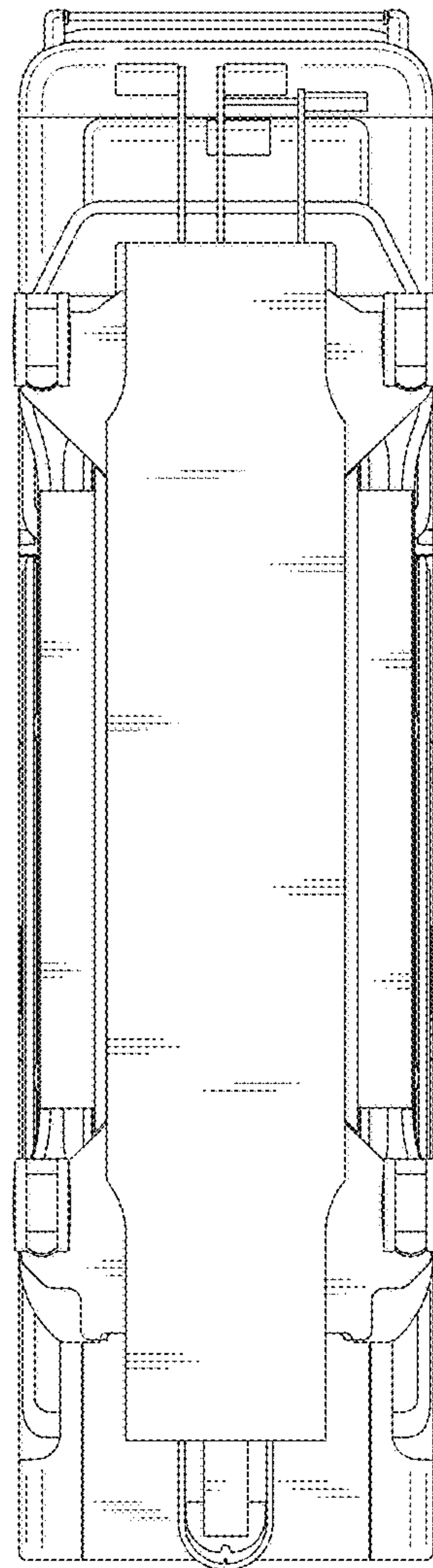


Fig. 7

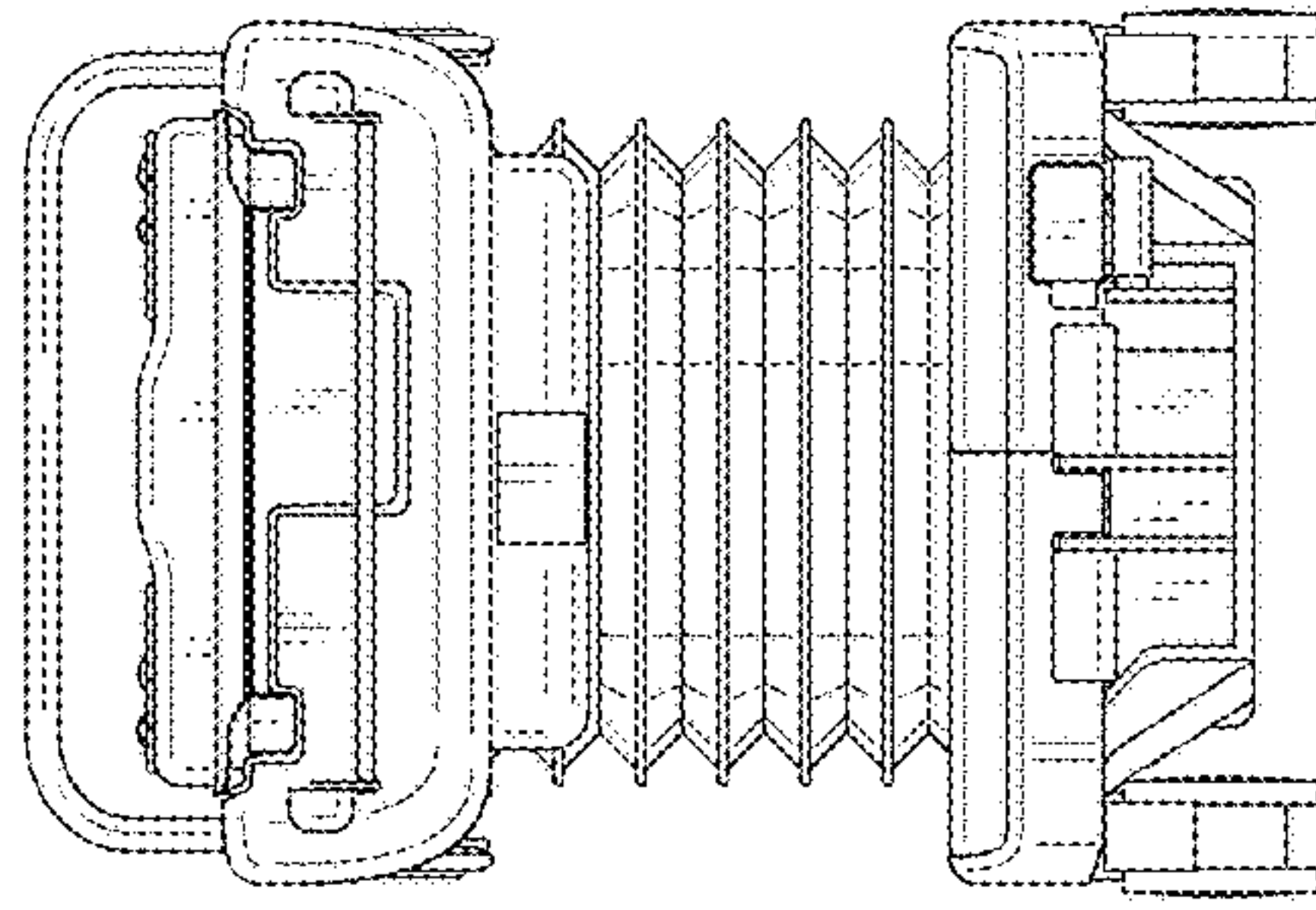


Fig. 6

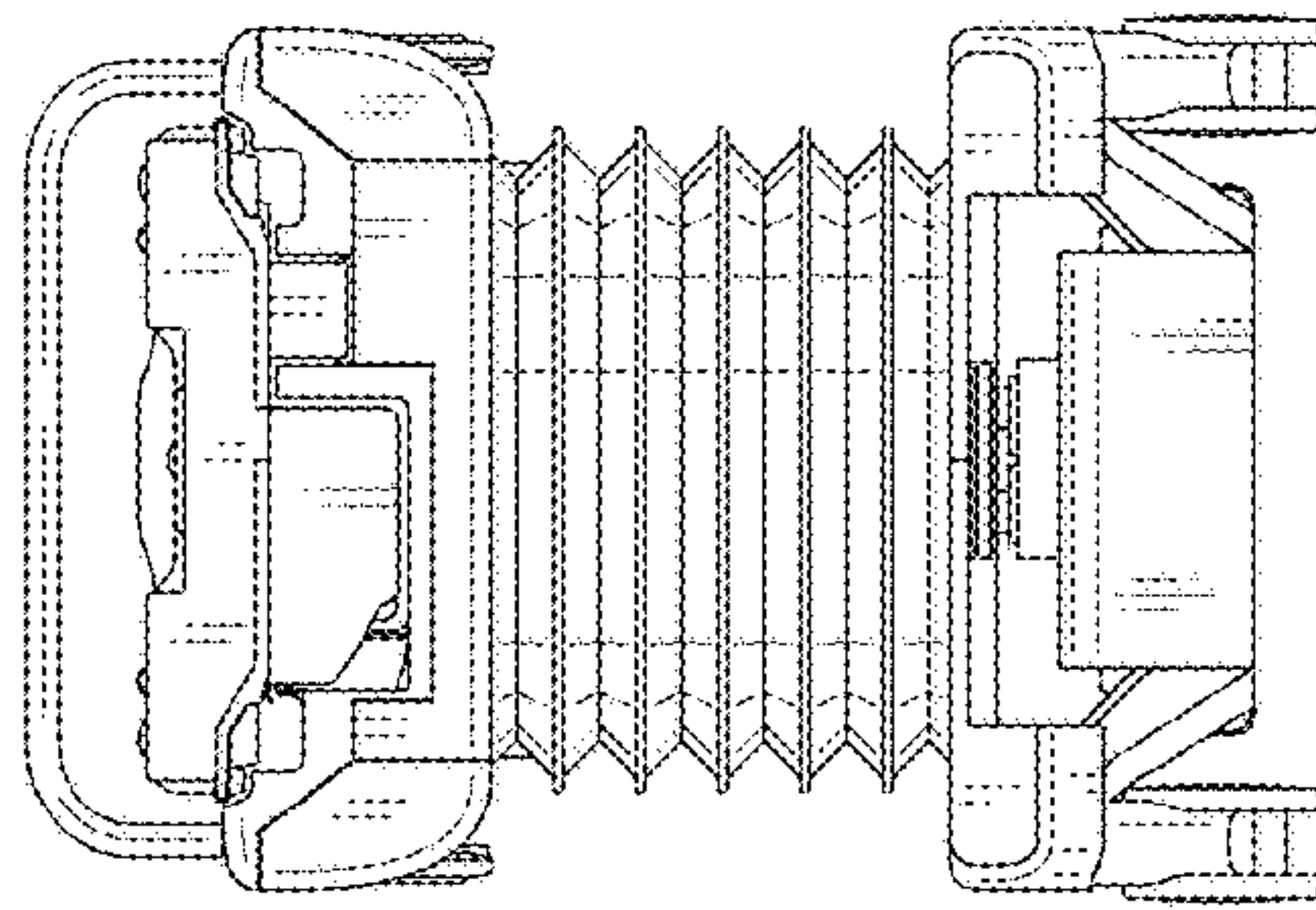


Fig. 8

