



US00D861869S

(12) **United States Design Patent** (10) **Patent No.:** **US D861,869 S**
Kim (45) **Date of Patent:** **** Oct. 1, 2019**

(54) **COIL FOR MAGNETIC RESONANCE IMAGING DEVICE**

Primary Examiner — Anhdao Doan
(74) *Attorney, Agent, or Firm* — Cantor Colburn LLP

(71) Applicant: **Samsung Electronics Co., Ltd.**, Suwon-si (KR)

(57) **CLAIM**

The ornamental design for a coil for magnetic resonance imaging device, as shown and described.

(72) Inventor: **Euisik Kim**, Seoul (KR)

(73) Assignee: **SAMSUNG ELECTRONICS CO., LTD.**, Gyeonggi-Do (KR)

DESCRIPTION

(**) Term: **15 Years**

FIG. 1 is a front perspective view of a first embodiment of a coil for magnetic resonance imaging (“MRI”) device, showing my new design;

(21) Appl. No.: **29/644,876**

FIG. 2 is a front view thereof;

(22) Filed: **Apr. 20, 2018**

FIG. 3 is a rear view thereof;

(30) **Foreign Application Priority Data**

Nov. 15, 2017 (KR) 30-2017-0053322

FIG. 4 is a left side view thereof;

(51) **LOC (12) Cl.** **24-01**

FIG. 5 is a right side view thereof;

(52) **U.S. Cl.**

USPC **D24/158**

FIG. 6 is a top view thereof;

(58) **Field of Classification Search**

USPC D24/107, 158–161, 185, 186, 187, 231

FIG. 7 is a bottom view thereof;

CPC .. A61B 6/03; A61B 6/035; A61B 5/05; A61B

FIG. 8 is a rear perspective view thereof;

5/055; G01N 2223/1013; G01N

FIG. 9 is a cross-sectional view thereof, taken along line 9-9 in FIG. 2;

2223/1016; A61N 2005/1054; A61N

FIG. 10 is a front perspective view of a second embodiment of a coil or magnetic resonance imaging (“MRI”) device, showing my new design;

2005/1055; A61N 2005/1074; H05G 1/02;

FIG. 11 is a front view thereof;

H05G 1/025; H05G 1/04; H05G 1/06;

FIG. 12 is a rear view thereof;

(Continued)

FIG. 13 is a left side view thereof;

(56) **References Cited**

U.S. PATENT DOCUMENTS

D557,418 S * 12/2007 Onuma D24/158

FIG. 14 is a right side view thereof;

D591,862 S 5/2009 Taniguchi et al.

FIG. 15 is a top view thereof;

(Continued)

FIG. 16 is a bottom view thereof;

FIG. 17 is a rear perspective view thereof; and,

FIG. 18 is a cross-sectional view thereof, taken along line FIG. 11.

FOREIGN PATENT DOCUMENTS

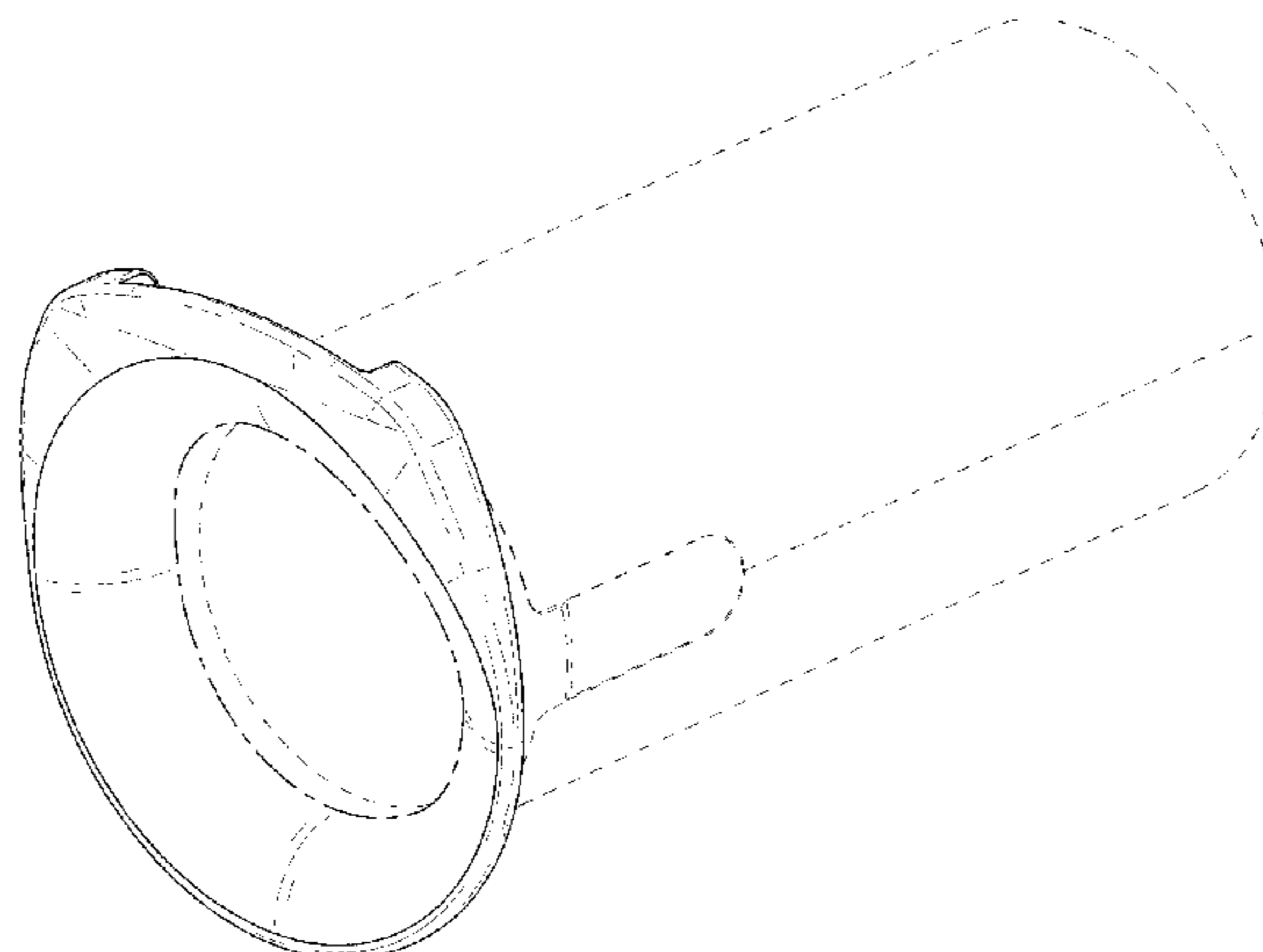
JP D1188769 S 10/2003

JP D1220279 S 10/2004

The broken lines illustrating portions of the coil for magnetic resonance imaging (“MRI”) device are for environmental purposes only and form no part of the claimed design.

The dot-dash broken lines in the figure illustrate a boundary of the claimed design, and form no part of the claimed design.

1 Claim, 14 Drawing Sheets



(58) **Field of Classification Search**

CPC H05G 1/10; H01J 2235/068; H01J
2235/163; H01J 2235/165; H01J 35/025;
H01J 35/16

See application file for complete search history.

(56) **References Cited**

U.S. PATENT DOCUMENTS

D742,523	S	11/2015	Sul	
D753,828	S *	4/2016	Baba	D24/158
D783,828	S *	4/2017	Arishima	D24/158
D788,309	S *	5/2017	Yamaguchi	D24/158
D817,495	S *	5/2018	Tenley	D24/158
2010/0322377	A1 *	12/2010	Niizeki	A61B 6/04 378/20
2013/0156161	A1 *	6/2013	Andrews	H01J 35/16 378/140
2013/0195253	A1 *	8/2013	Andrews	H01J 35/14 378/138
2015/0265225	A1 *	9/2015	Crawford	A61B 6/40 378/19
2019/0019647	A1 *	1/2019	Lee	H01J 35/14

* cited by examiner

FIG. 1

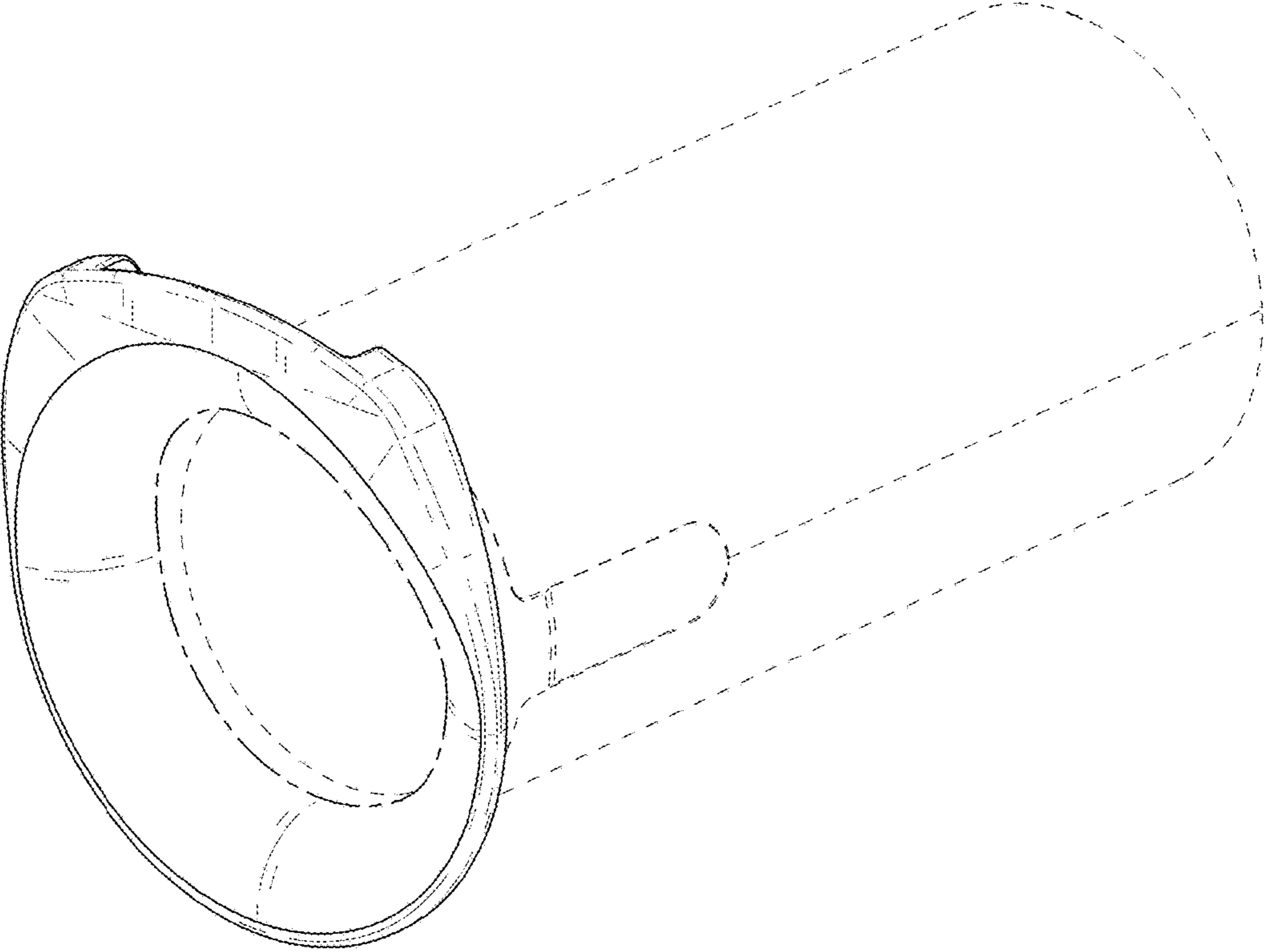


FIG. 2

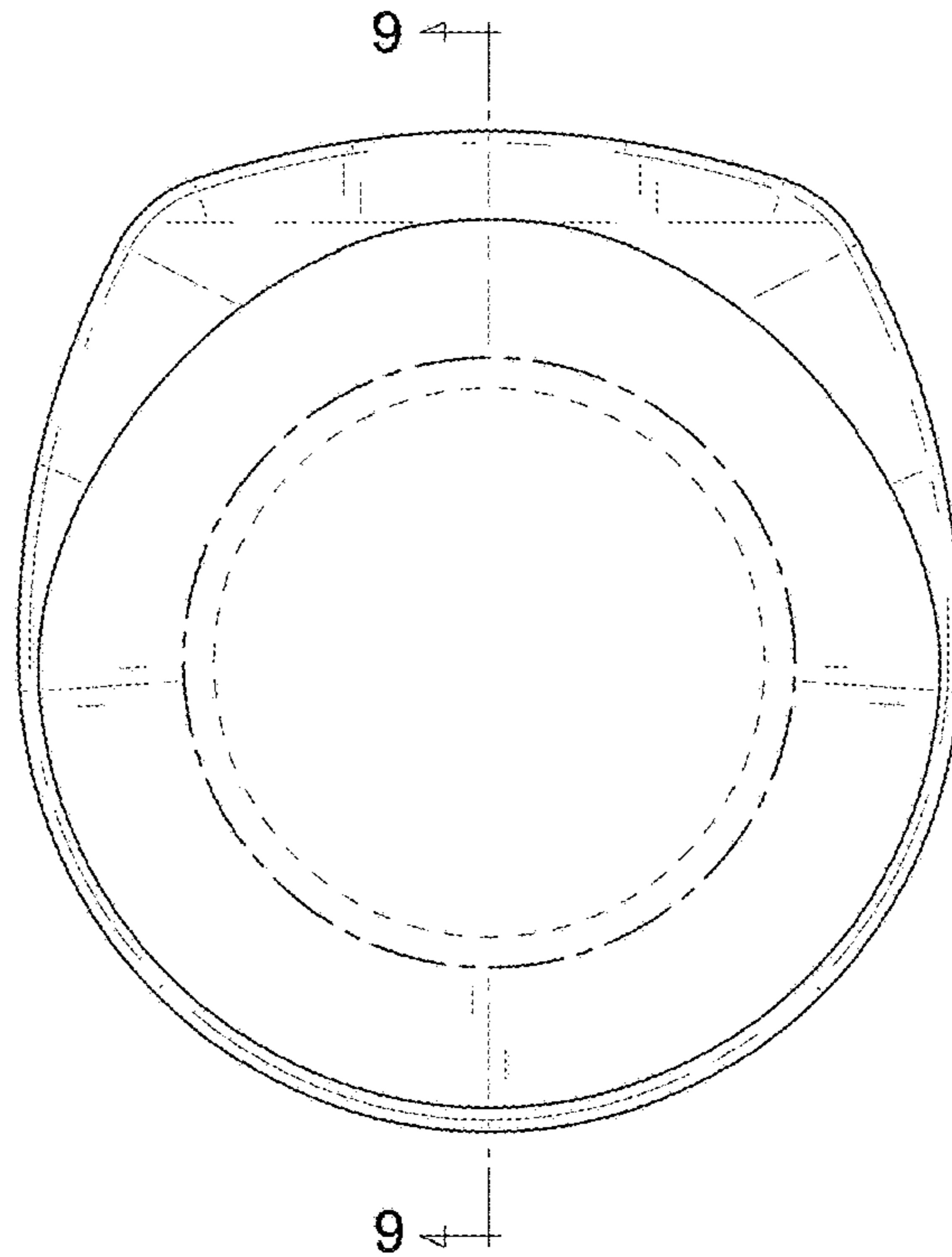


FIG. 3

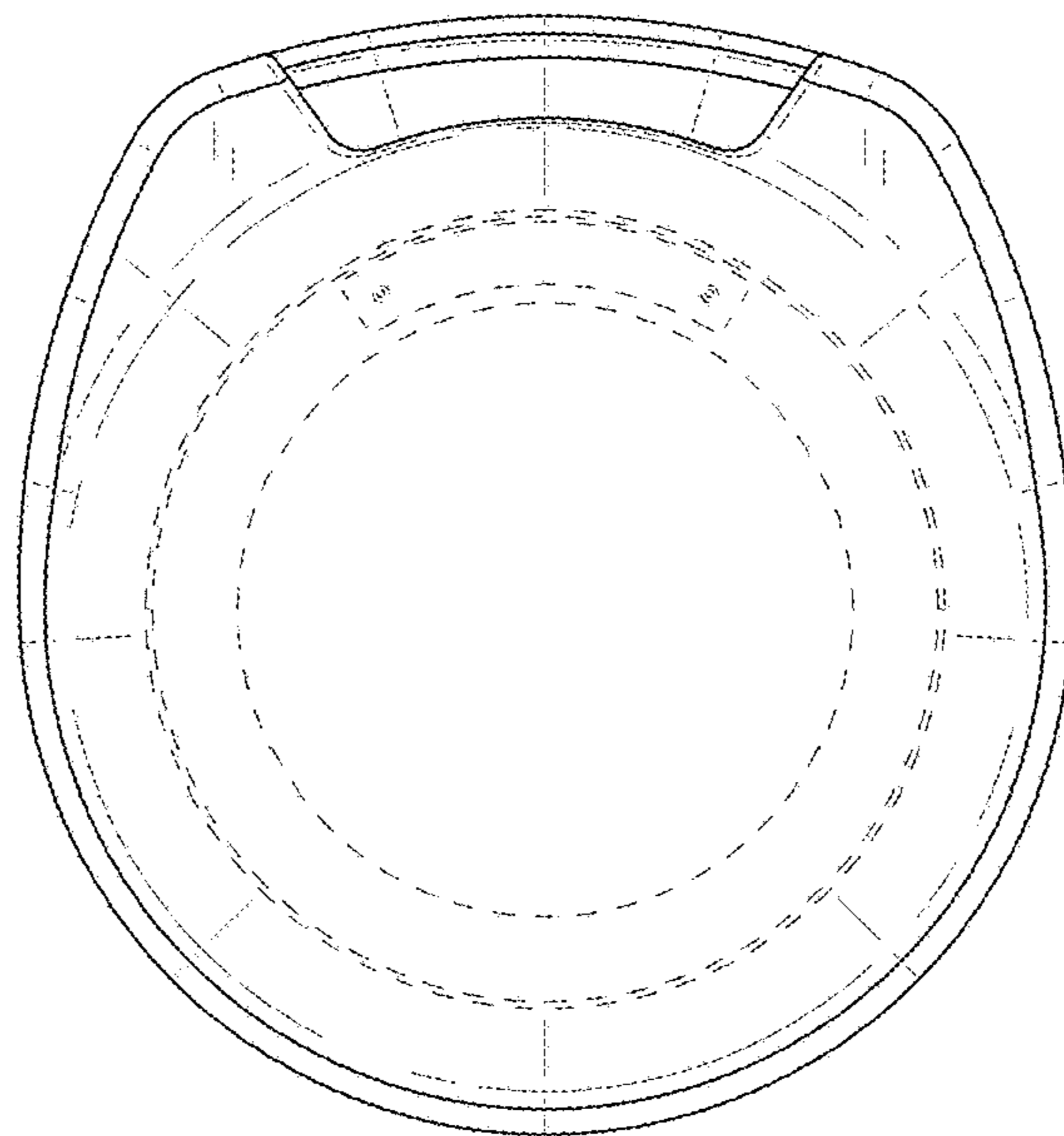


FIG. 4

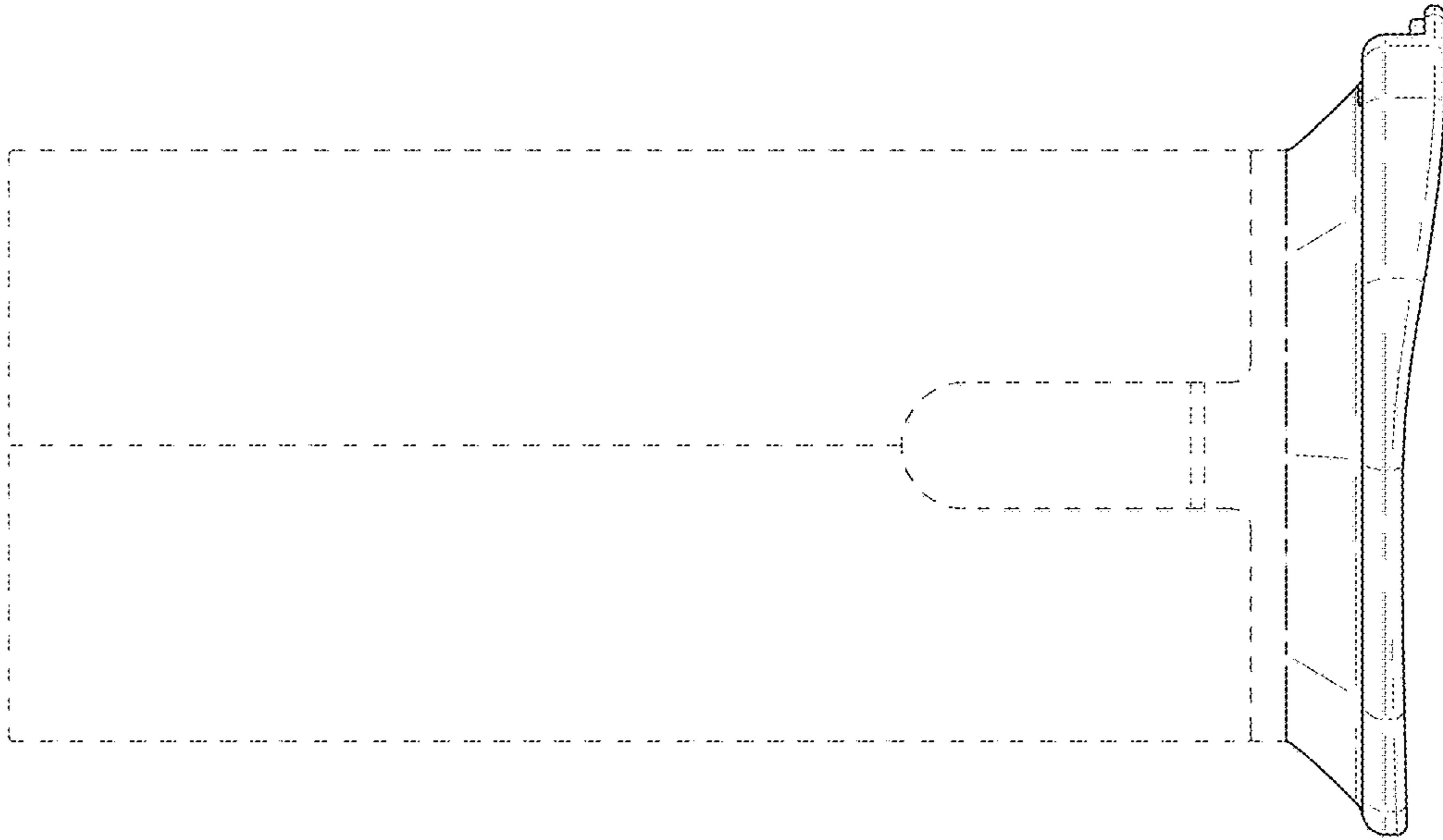


FIG. 5

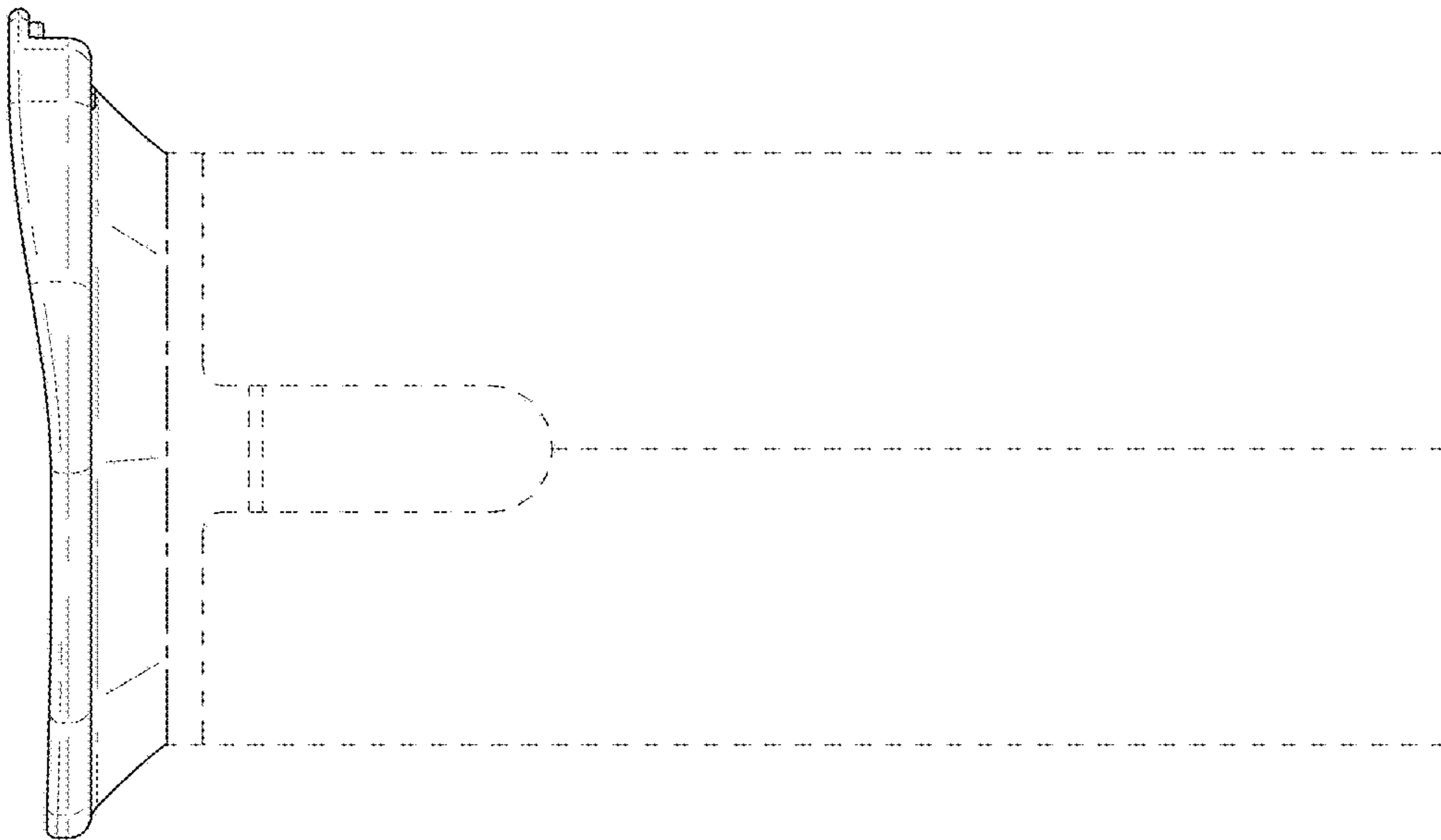


FIG. 6

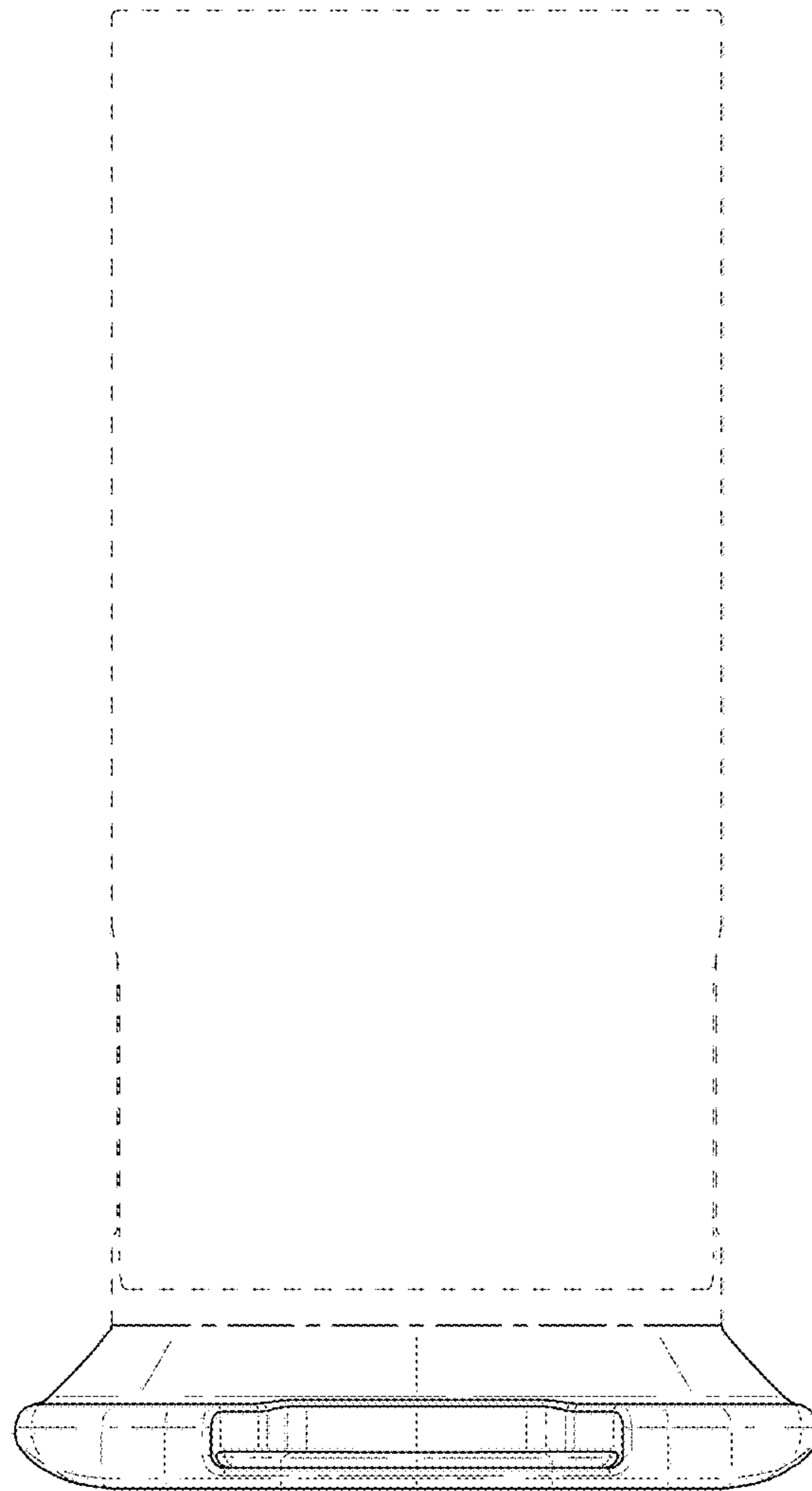


FIG. 7

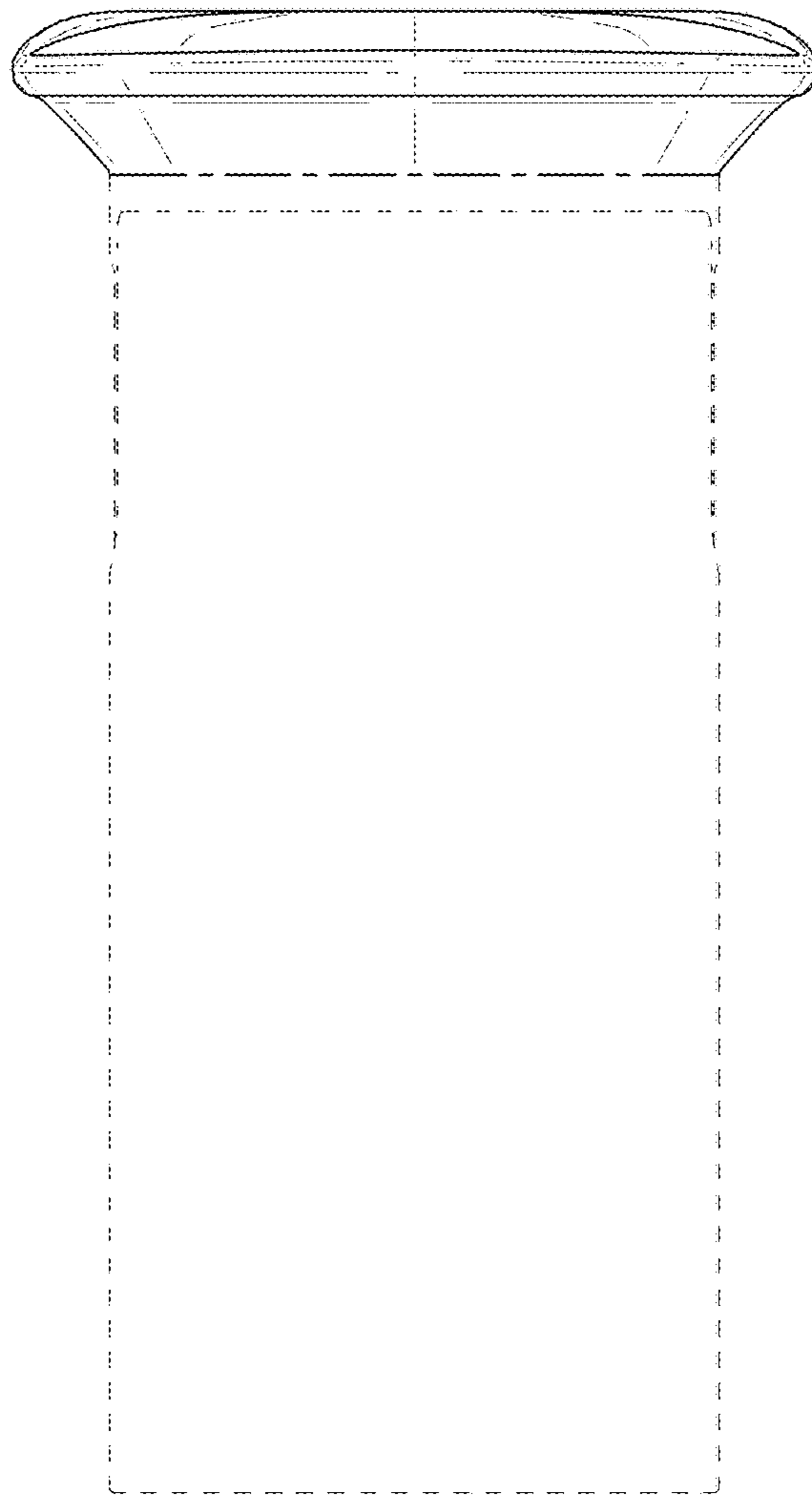


FIG. 8

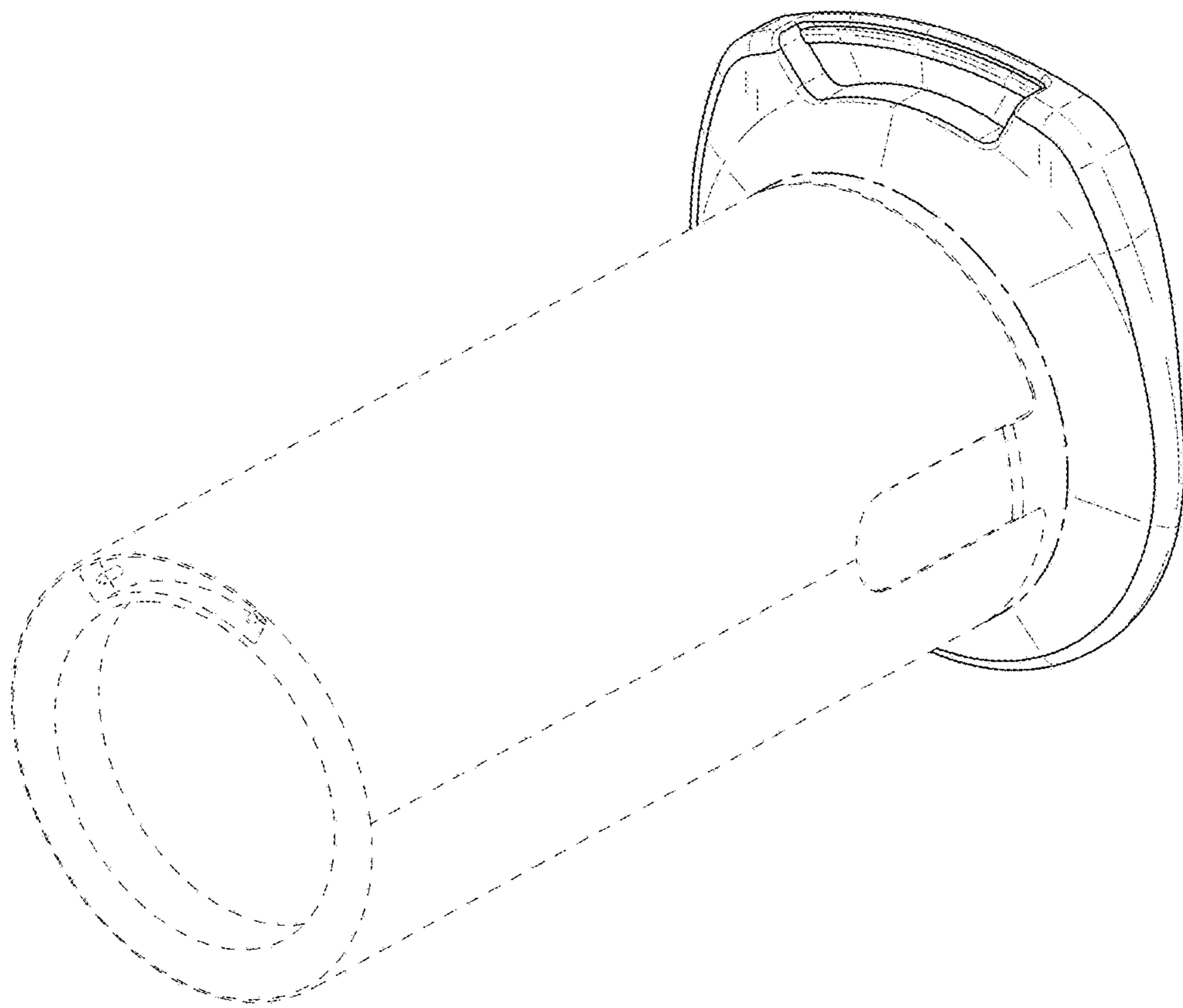


FIG. 9



FIG. 10

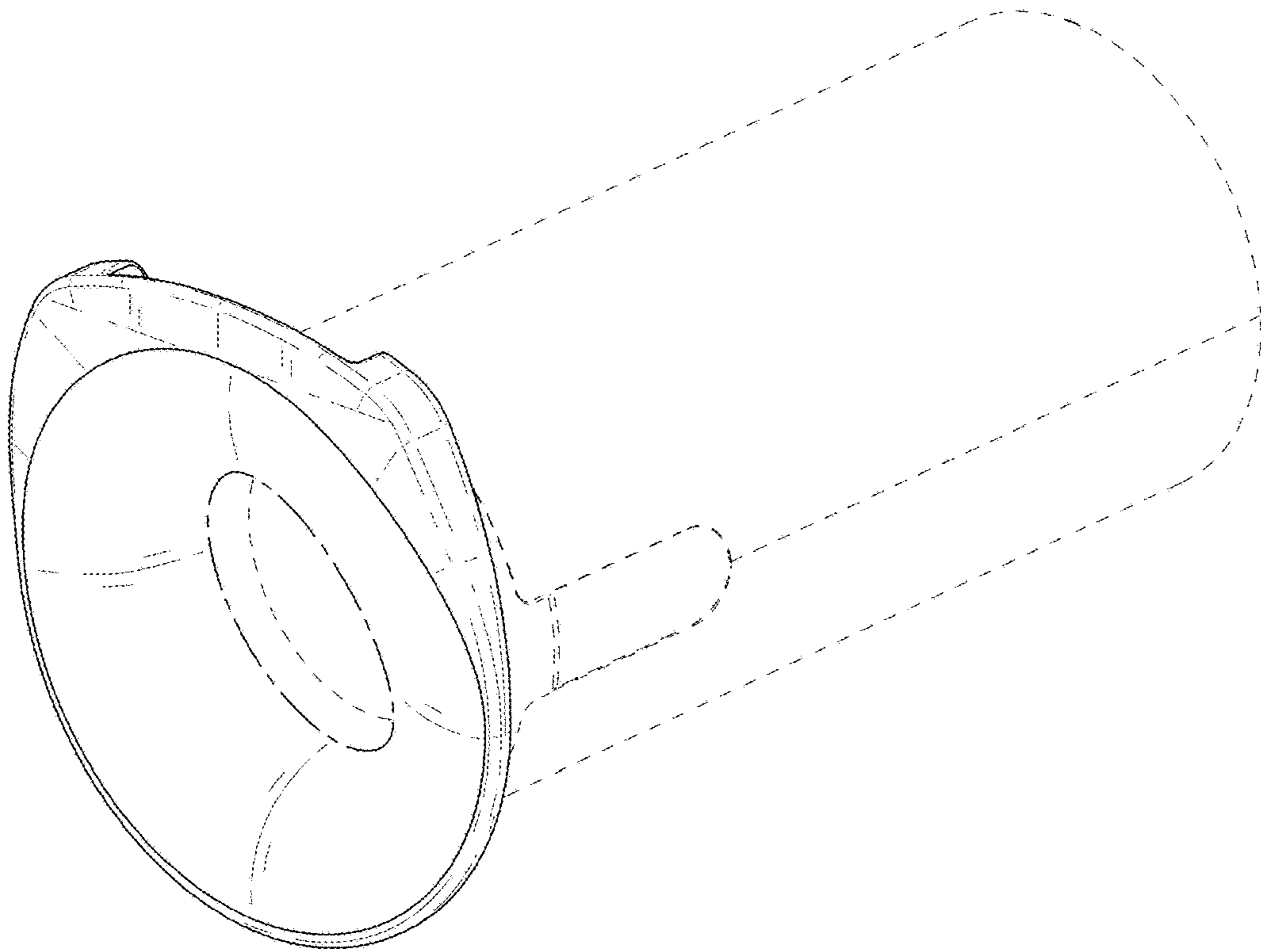
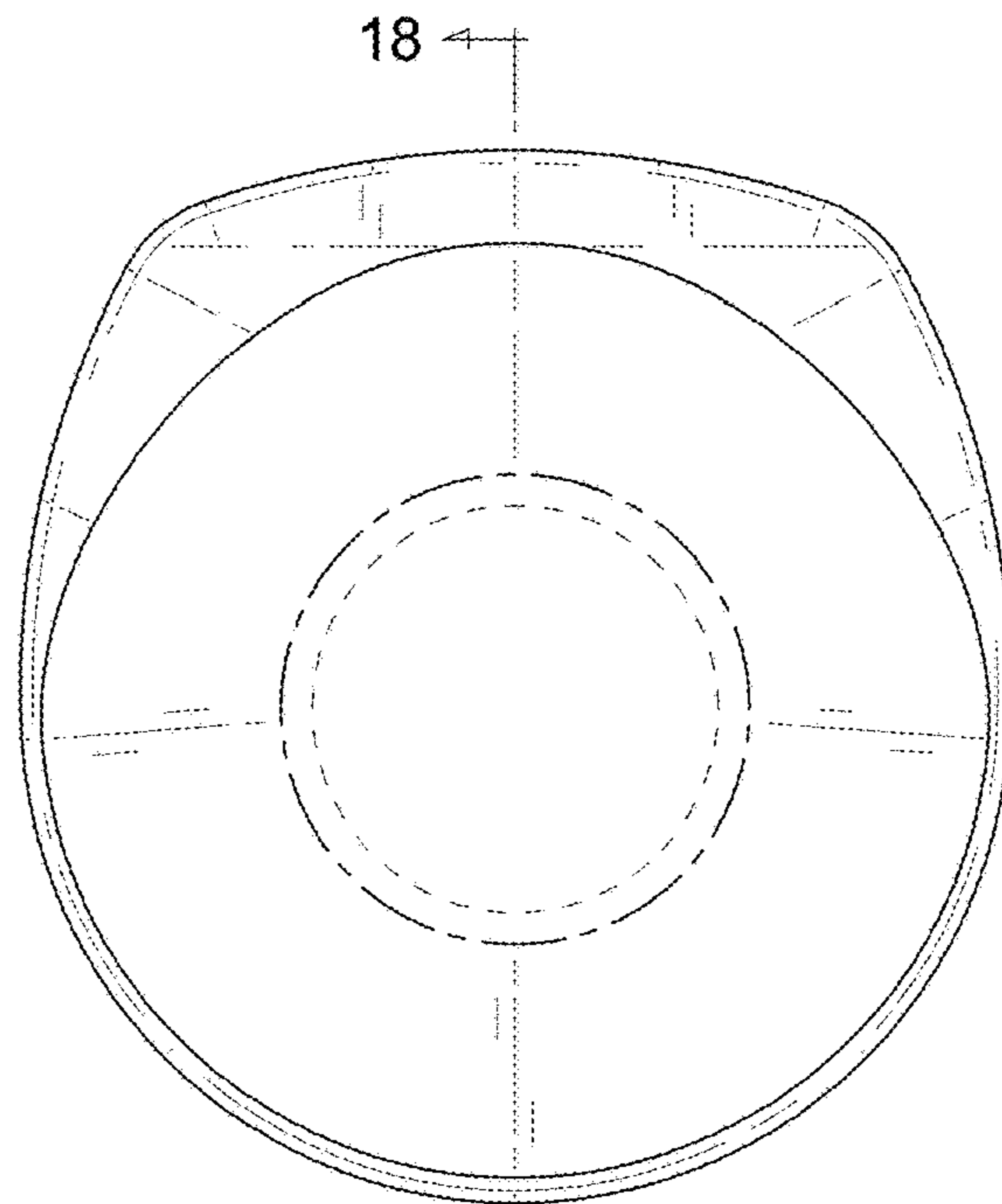


FIG. 11



18 ←

FIG. 12

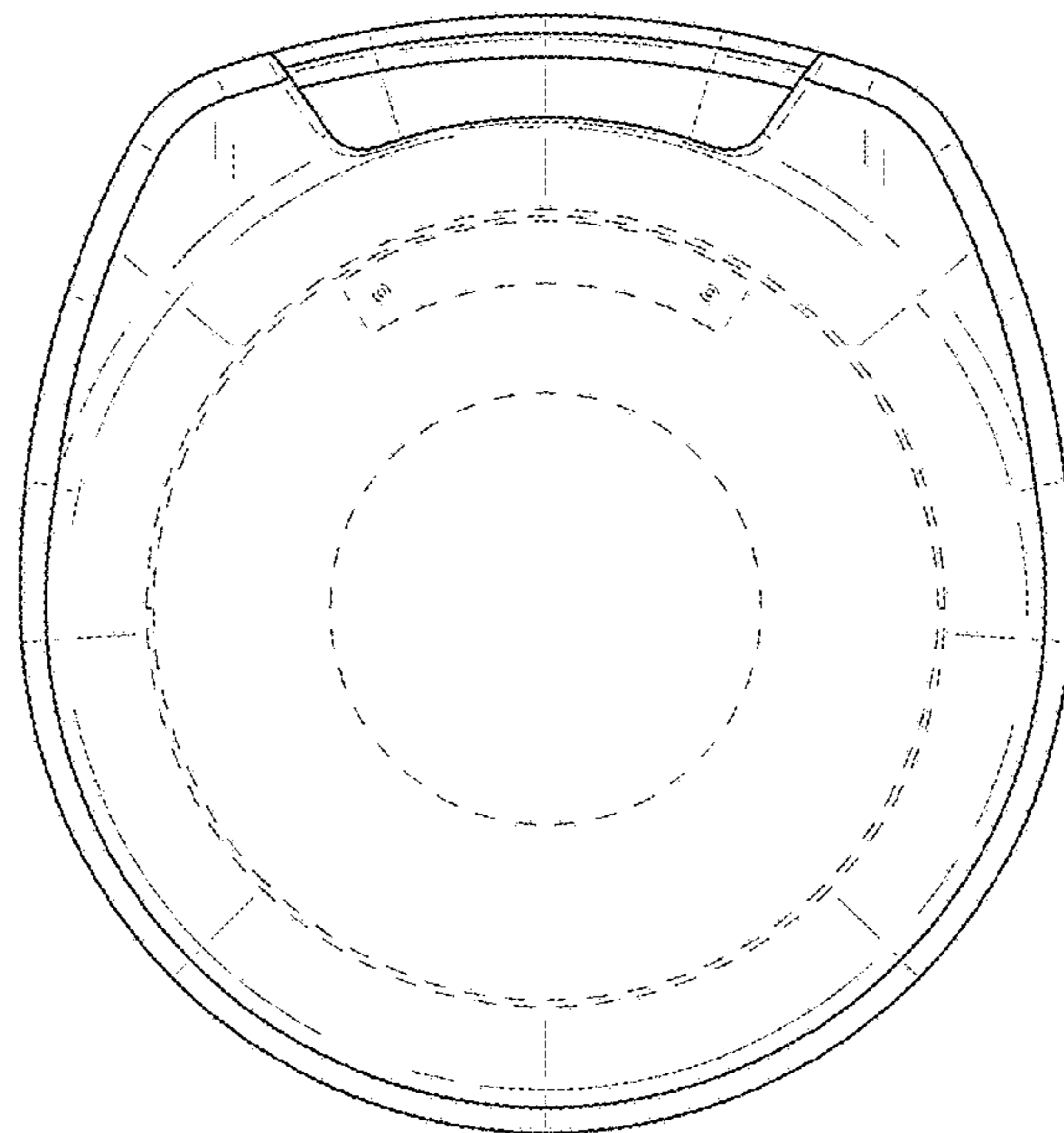


FIG. 13

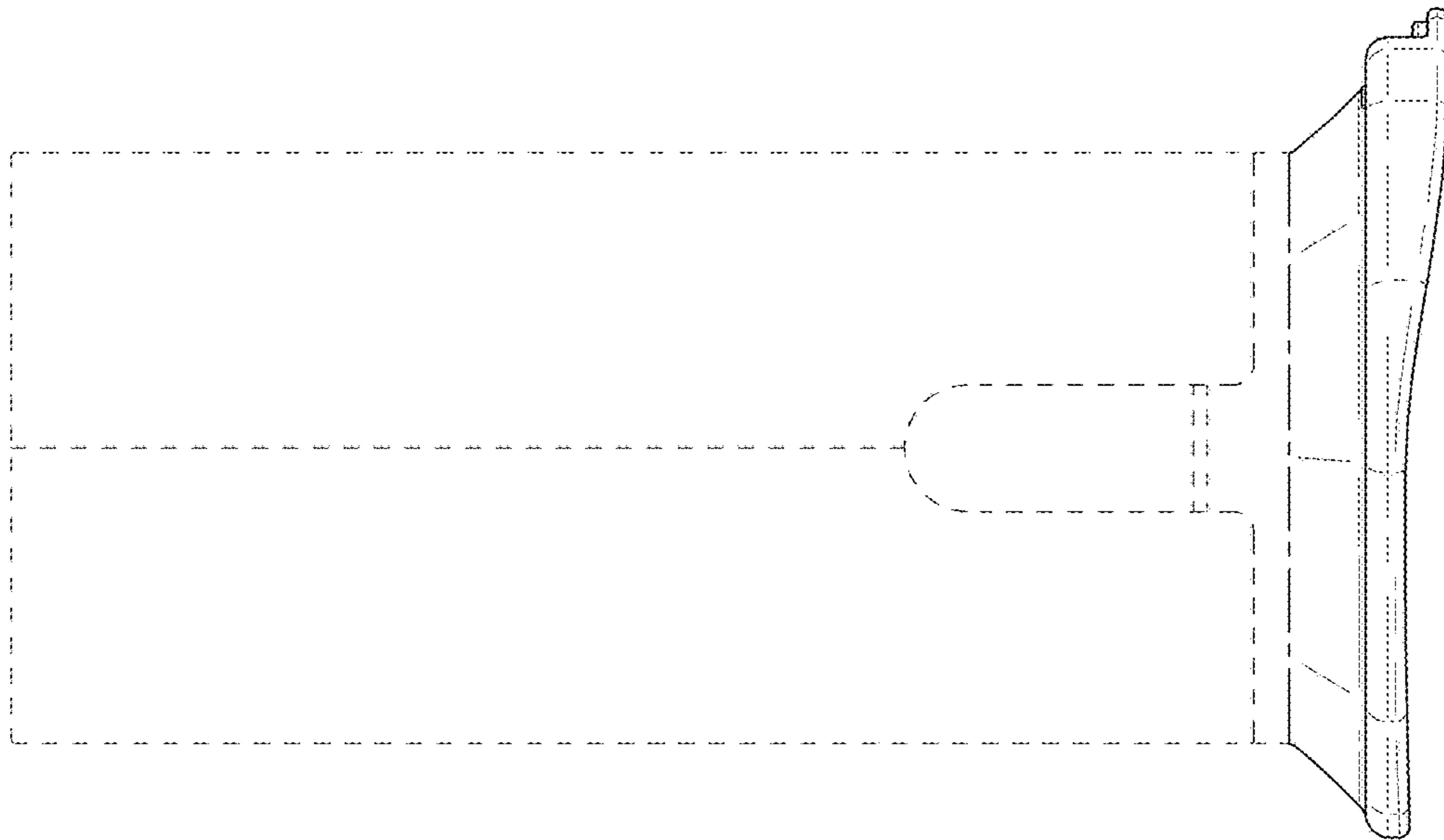


FIG. 14

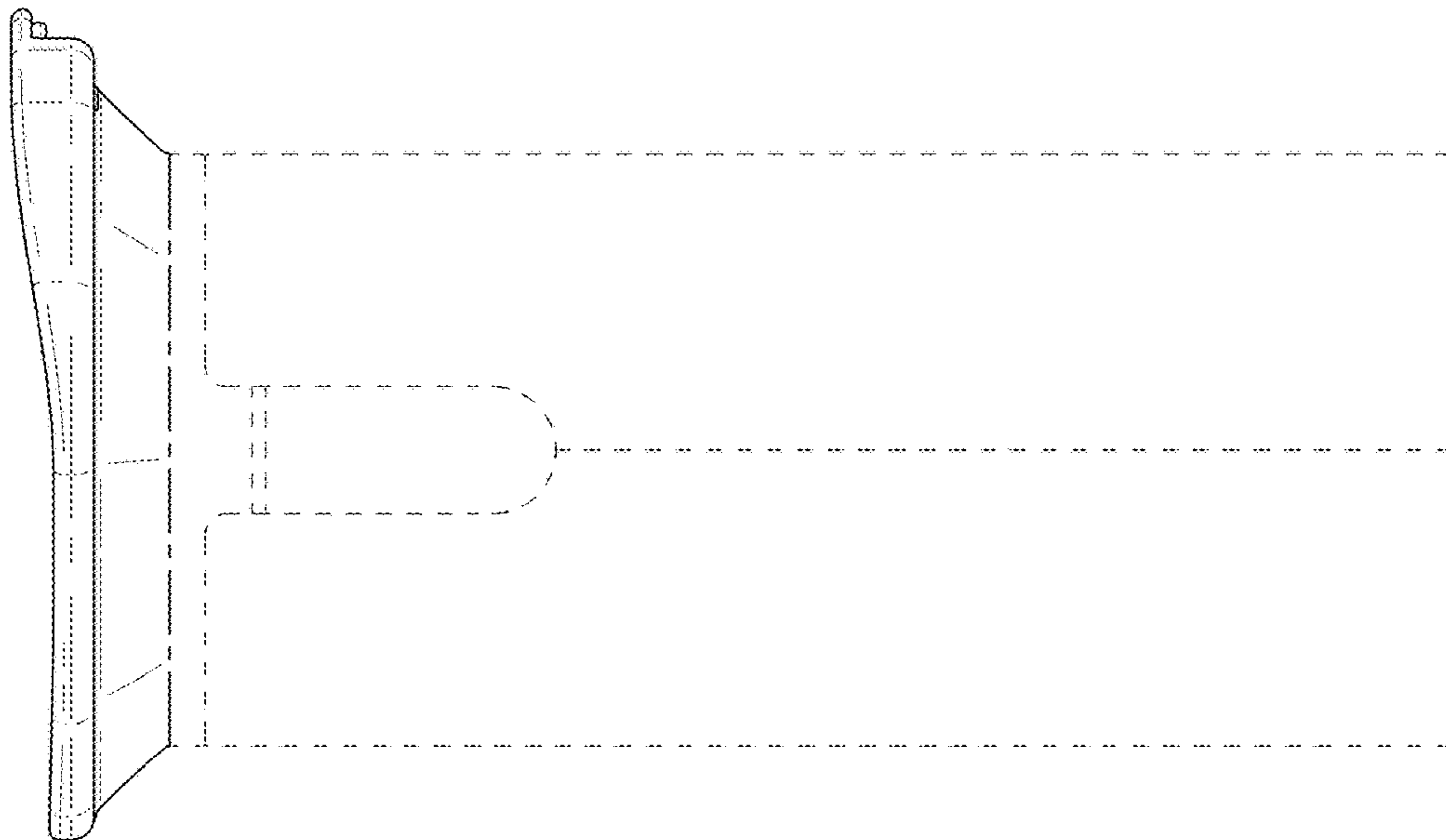


FIG. 15

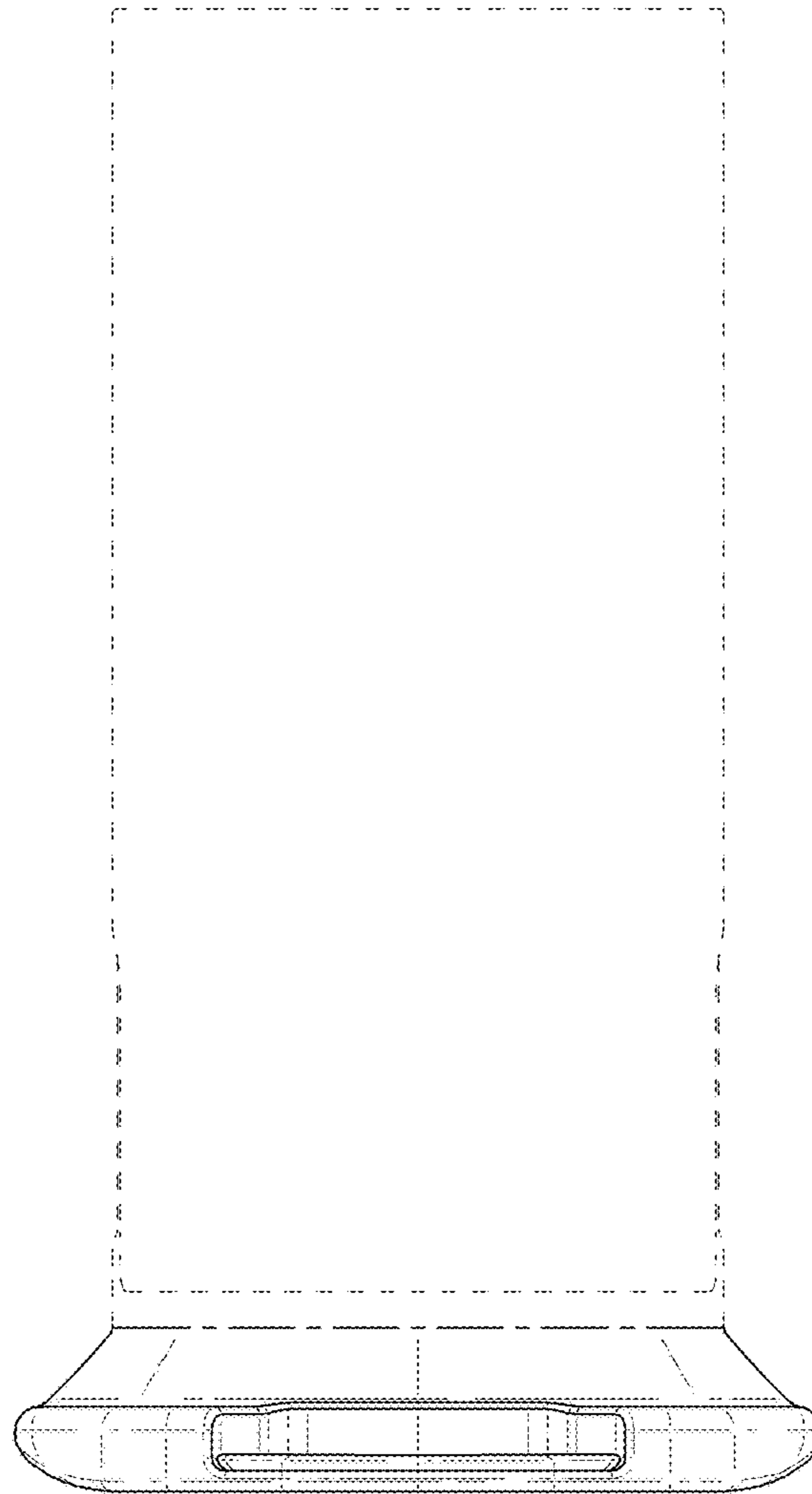


FIG. 16

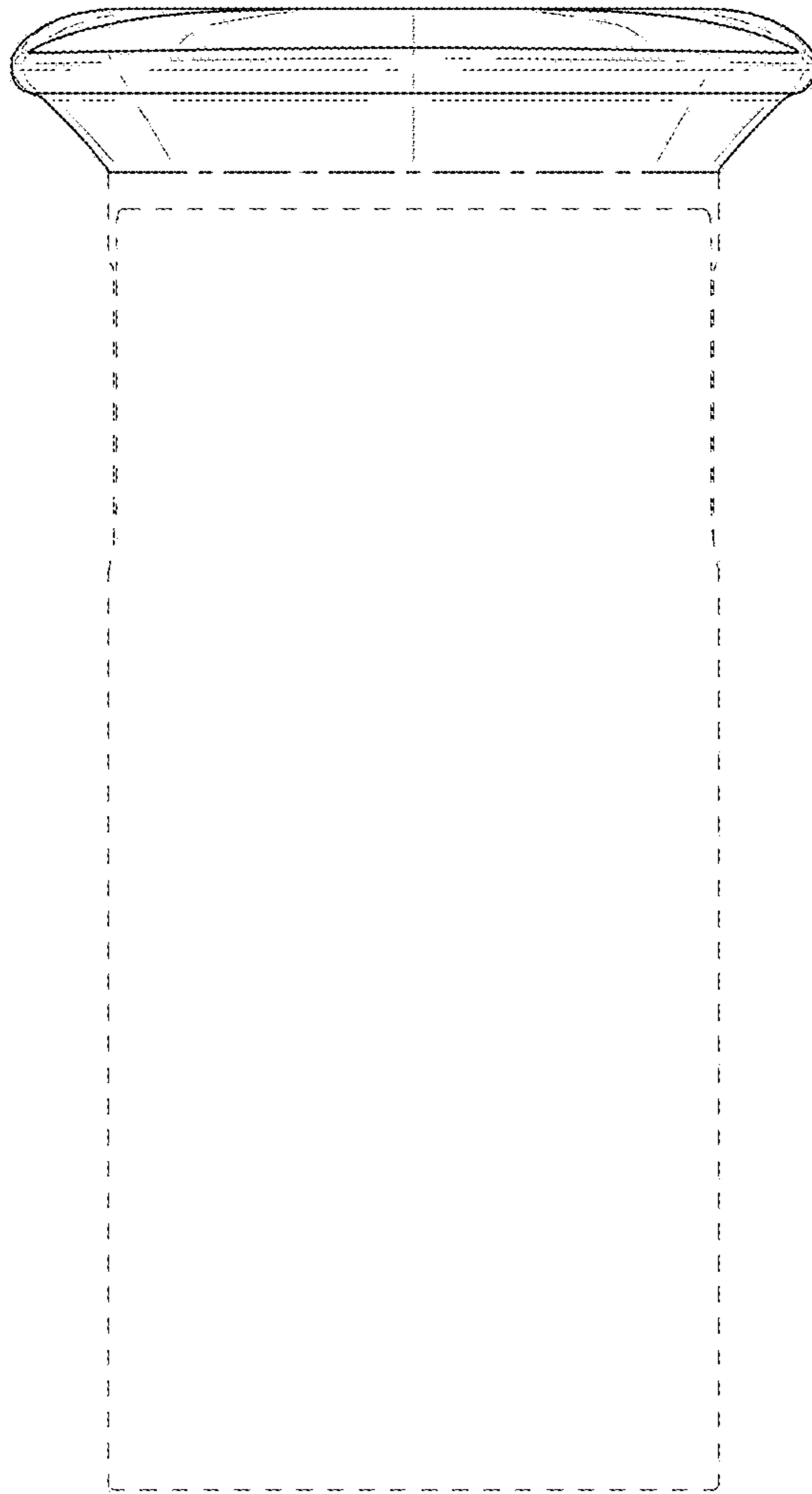


FIG. 17

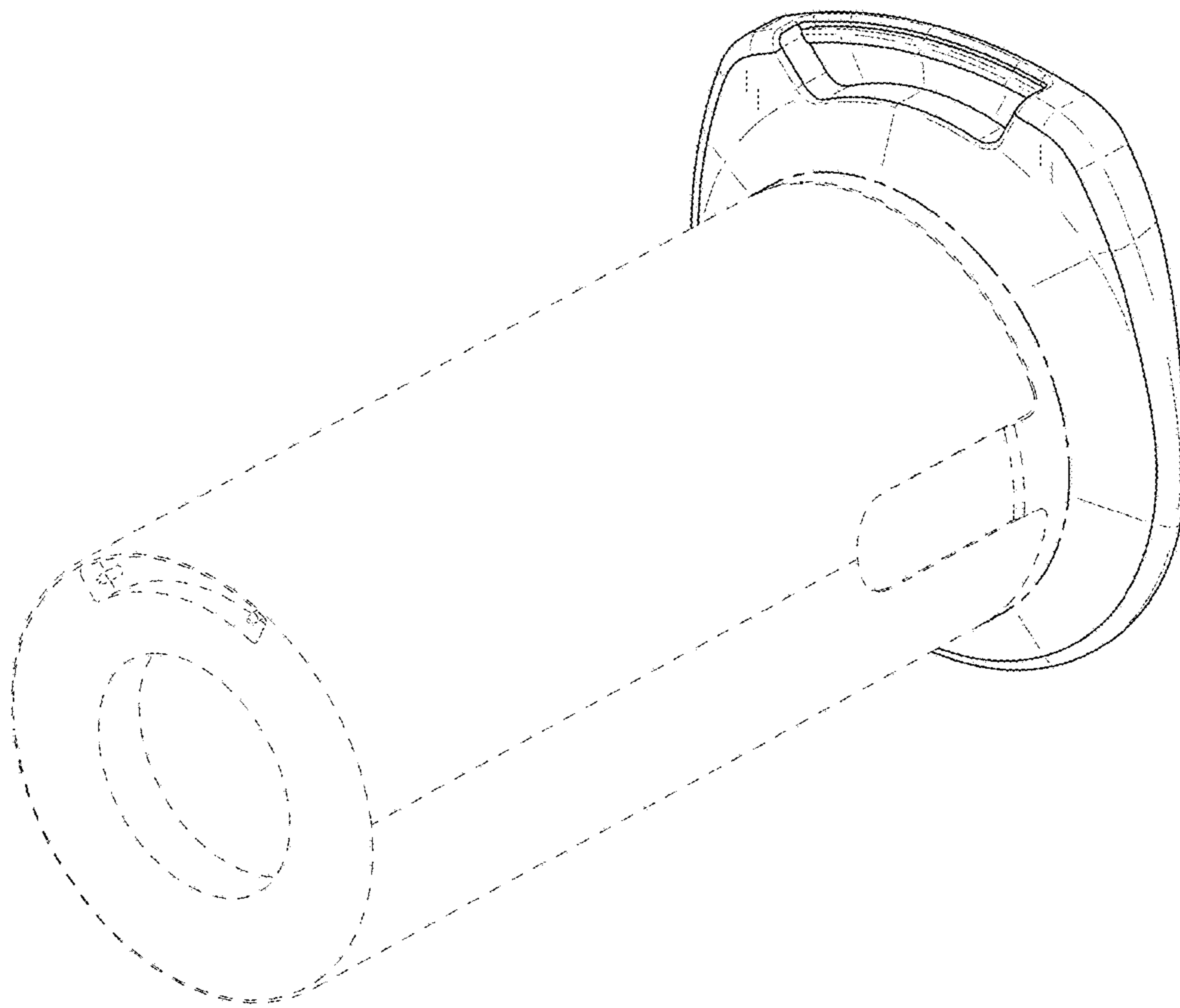


FIG. 18

