



US00D861868S

(12) **United States Design Patent** (10) **Patent No.:** **US D861,868 S**  
**Kim** (45) **Date of Patent:** **\*\* Oct. 1, 2019**

(54) **MAGNETIC RESONANCE IMAGING DEVICE**

(71) Applicant: **Samsung Electronics Co., Ltd.**, Suwon-si (KR)

(72) Inventor: **Euisik Kim**, Seoul (KR)

(73) Assignee: **SAMSUNG ELECTRONICS CO., LTD.**, Gyeonggi-Do (KR)

(\*\*) Term: **15 Years**

(21) Appl. No.: **29/644,634**

(22) Filed: **Apr. 19, 2018**

(30) **Foreign Application Priority Data**

Nov. 15, 2017 (KR) ..... 30-2017-0053325

(51) **LOC (12) Cl.** ..... **24-01**

(52) **U.S. Cl.**  
USPC ..... **D24/158**

(58) **Field of Classification Search**  
USPC ..... D24/107, 158–161, 185, 186, 187, 231  
CPC .. A61B 6/03; A61B 6/035; A61B 5/05; A61B 5/055; G01N 2223/1013; G01N 2223/1016; A61N 2005/1054; A61N 2005/1055; A61N 2005/1074; H05G 1/02; H05G 1/025; H05G 1/04; H05G 1/06; H05G 1/10; H01J 2235/068; H01J 2235/163; H01J 2235/165; H01J 35/025; H01J 35/16

See application file for complete search history.

(56) **References Cited**

**U.S. PATENT DOCUMENTS**

D557,418 S \* 12/2007 Onuma ..... D24/158  
D753,828 S \* 4/2016 Baba ..... D24/158  
D783,828 S \* 4/2017 Arishima ..... D24/158  
D788,309 S \* 5/2017 Yamaguchi ..... D24/158

D817,495 S \* 5/2018 Tenley ..... D24/158  
2010/0322377 A1 \* 12/2010 Niizeki ..... A61B 6/04 378/20  
2013/0156161 A1 \* 6/2013 Andrews ..... H01J 35/16 378/140  
2013/0195253 A1 \* 8/2013 Andrews ..... H01J 35/14 378/138

(Continued)

*Primary Examiner* — Anhdao Doan

(74) *Attorney, Agent, or Firm* — Cantor Colburn LLP

(57) **CLAIM**

The ornamental design for a magnetic resonance imaging device, as shown and described.

**DESCRIPTION**

FIG. 1 is a front perspective view of a magnetic resonance imaging (“MRI”) device, showing my new design;

FIG. 2 is a front view thereof;

FIG. 3 is a rear view thereof;

FIG. 4 is a left-side view thereof;

FIG. 5 is a right-side view thereof;

FIG. 6 is a top view thereof;

FIG. 7 is a bottom view thereof;

FIG. 8 is an enlarged view of the portion, ‘8’ in FIG. 1;

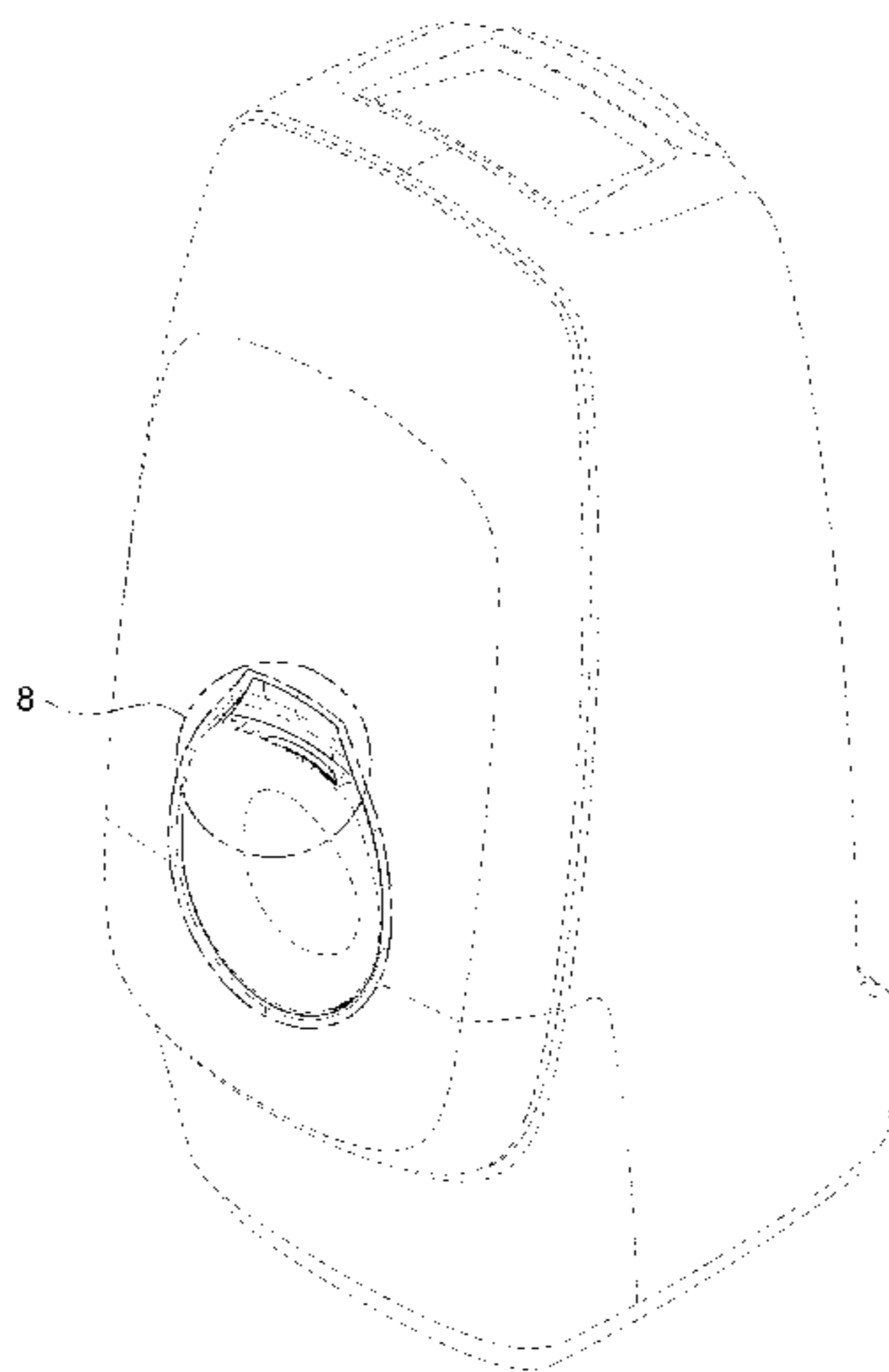
FIG. 9 is a cross-sectional view taken along line 9-9 of FIG. 2;

FIG. 10 is a front perspective view thereof, shown in a first alternative position where a coil for the MRI device is partially inserted; and,

FIG. 11 is a front perspective view thereof, shown in a second alternative position where the coil for the MRI device is drawn out.

The dot-dash broken lines in the figures represent a boundary of the claimed design and form no part of the claimed design. The dot-dot-dash broken lines encircling enlargement portions of the design form no part of the claimed design. The broken lines illustrating portions of the MRI device form no part of the claimed design.

**1 Claim, 11 Drawing Sheets**



(56)

**References Cited**

U.S. PATENT DOCUMENTS

2015/0265225 A1\* 9/2015 Crawford ..... A61B 6/40  
378/19  
2019/0019647 A1\* 1/2019 Lee ..... H01J 35/14

\* cited by examiner

FIG. 1

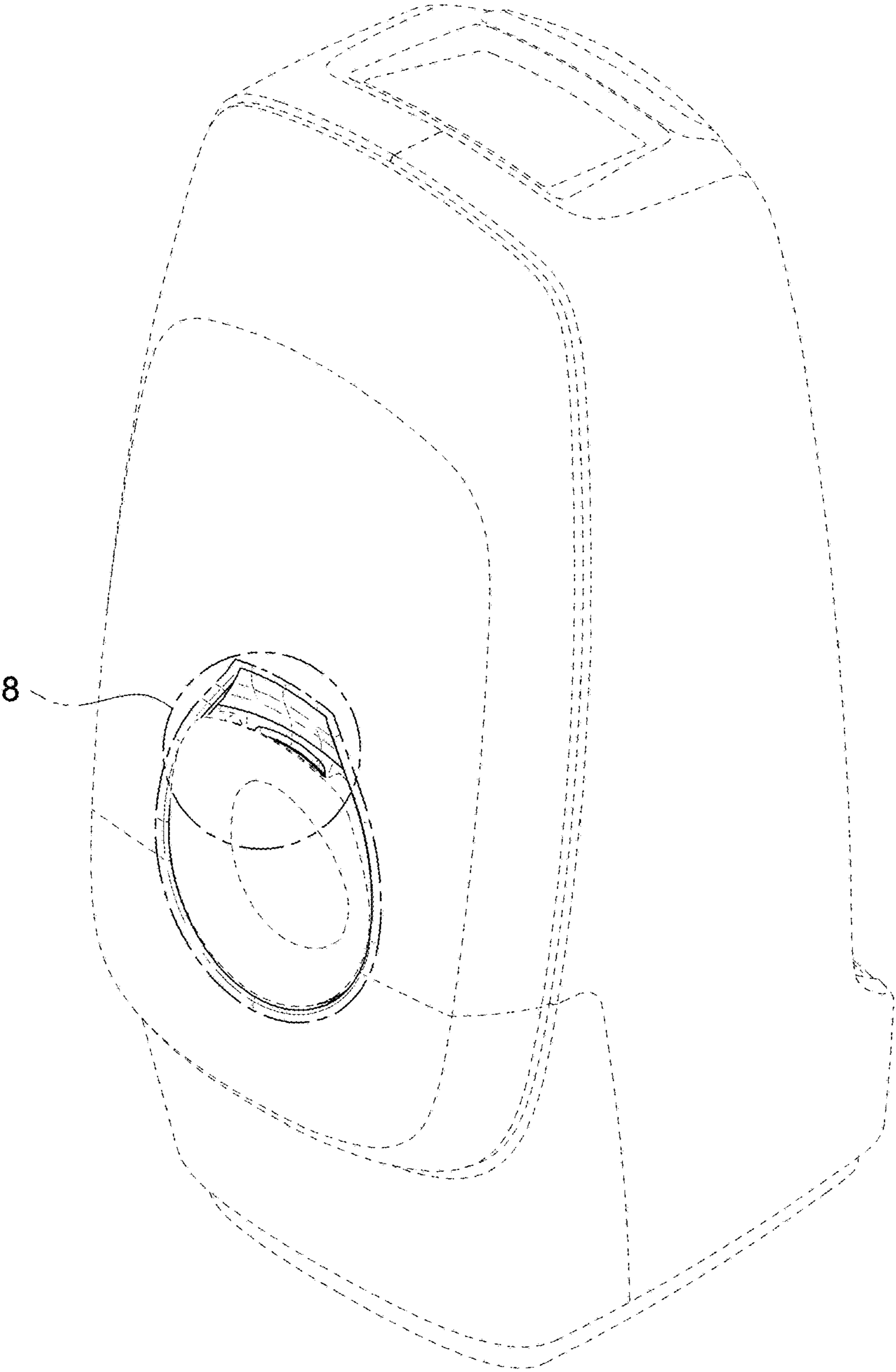


FIG. 2

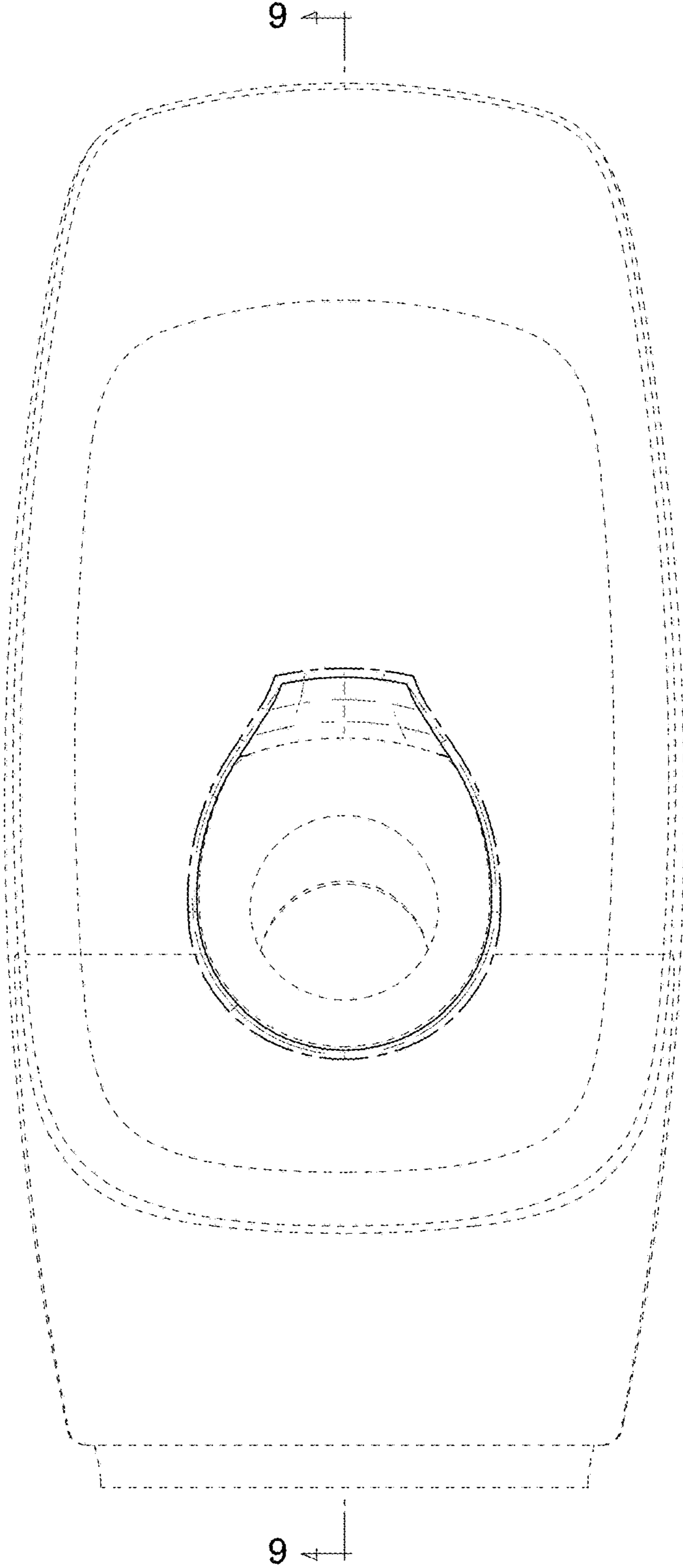


FIG. 3

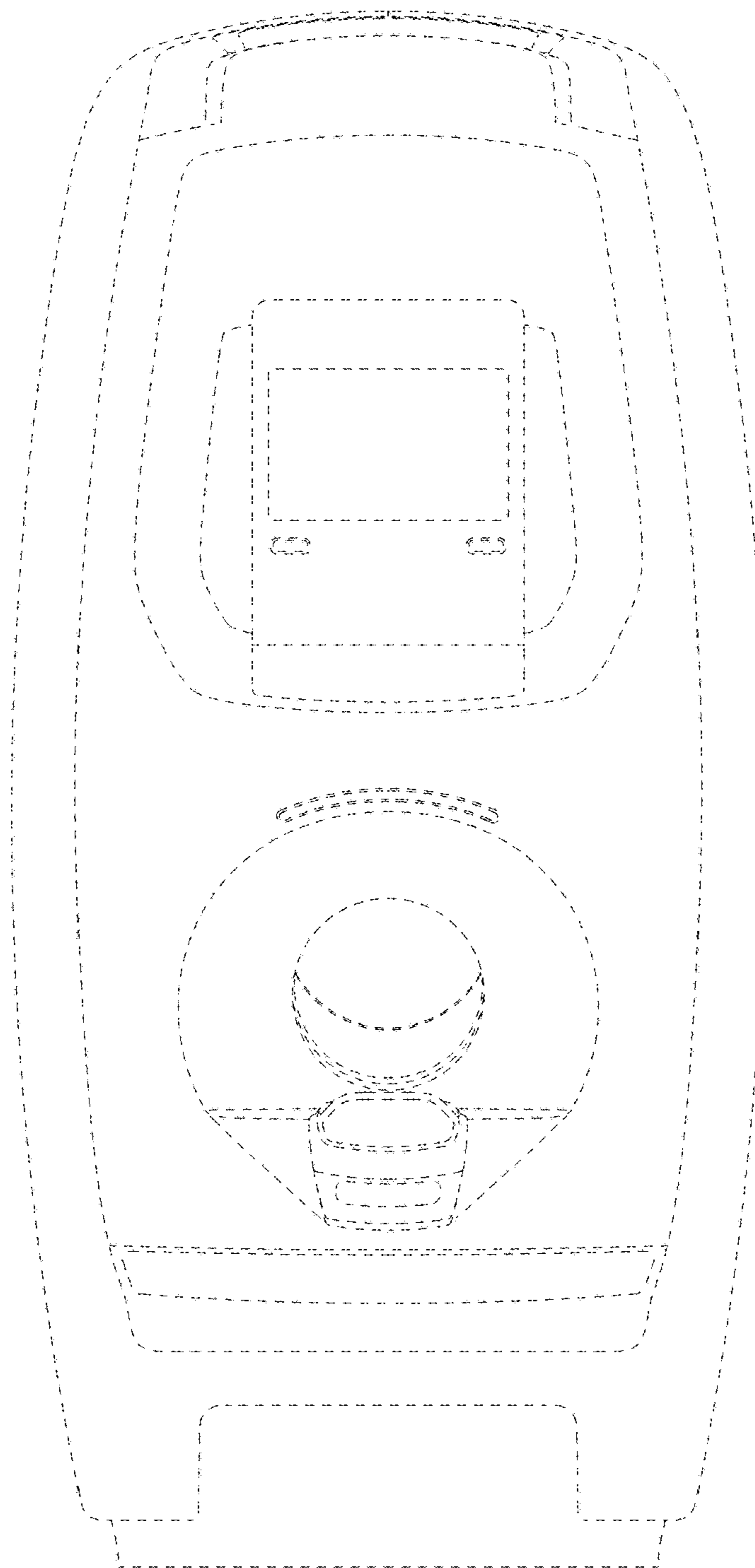


FIG. 4

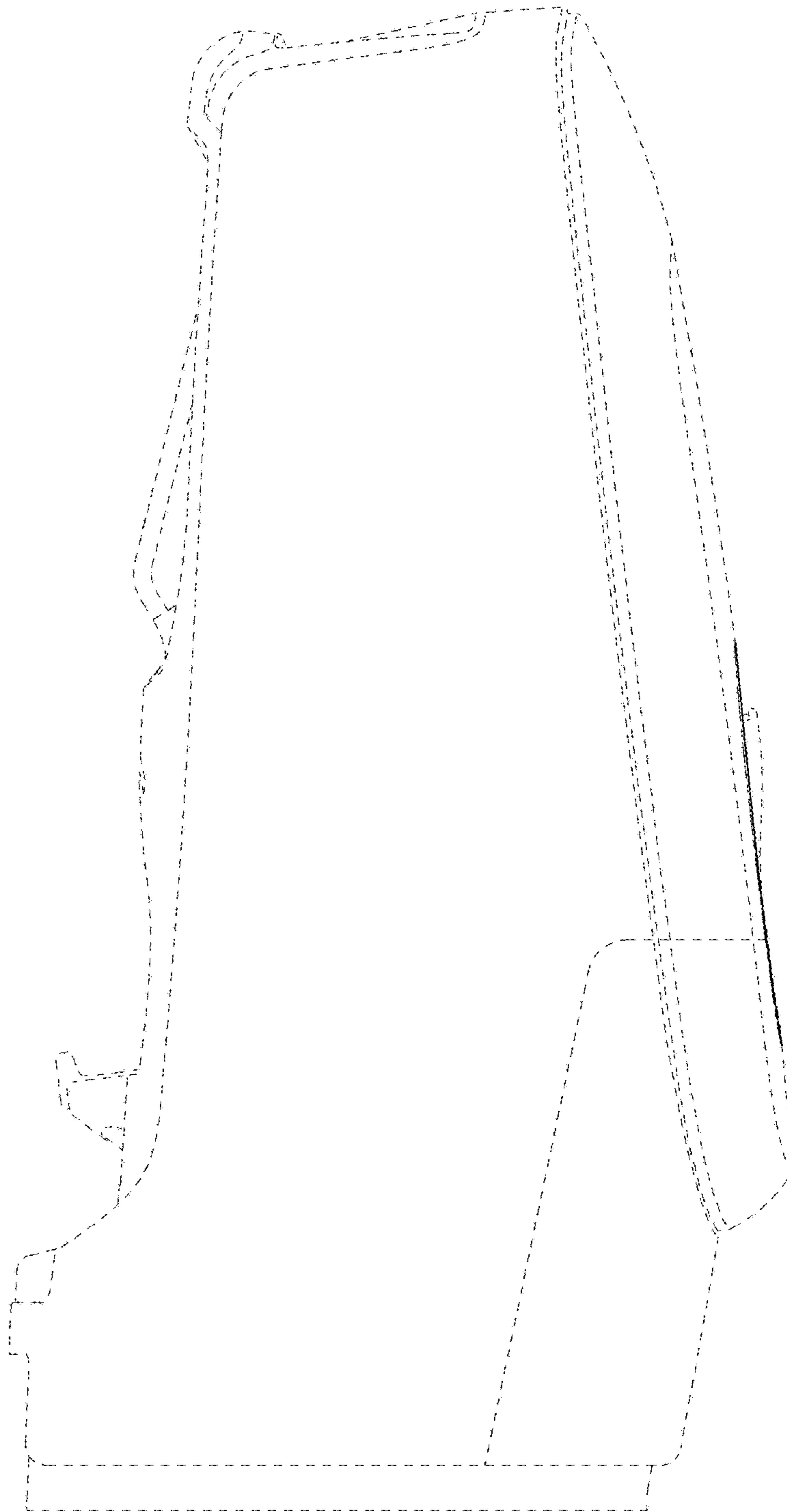


FIG. 5



FIG. 6

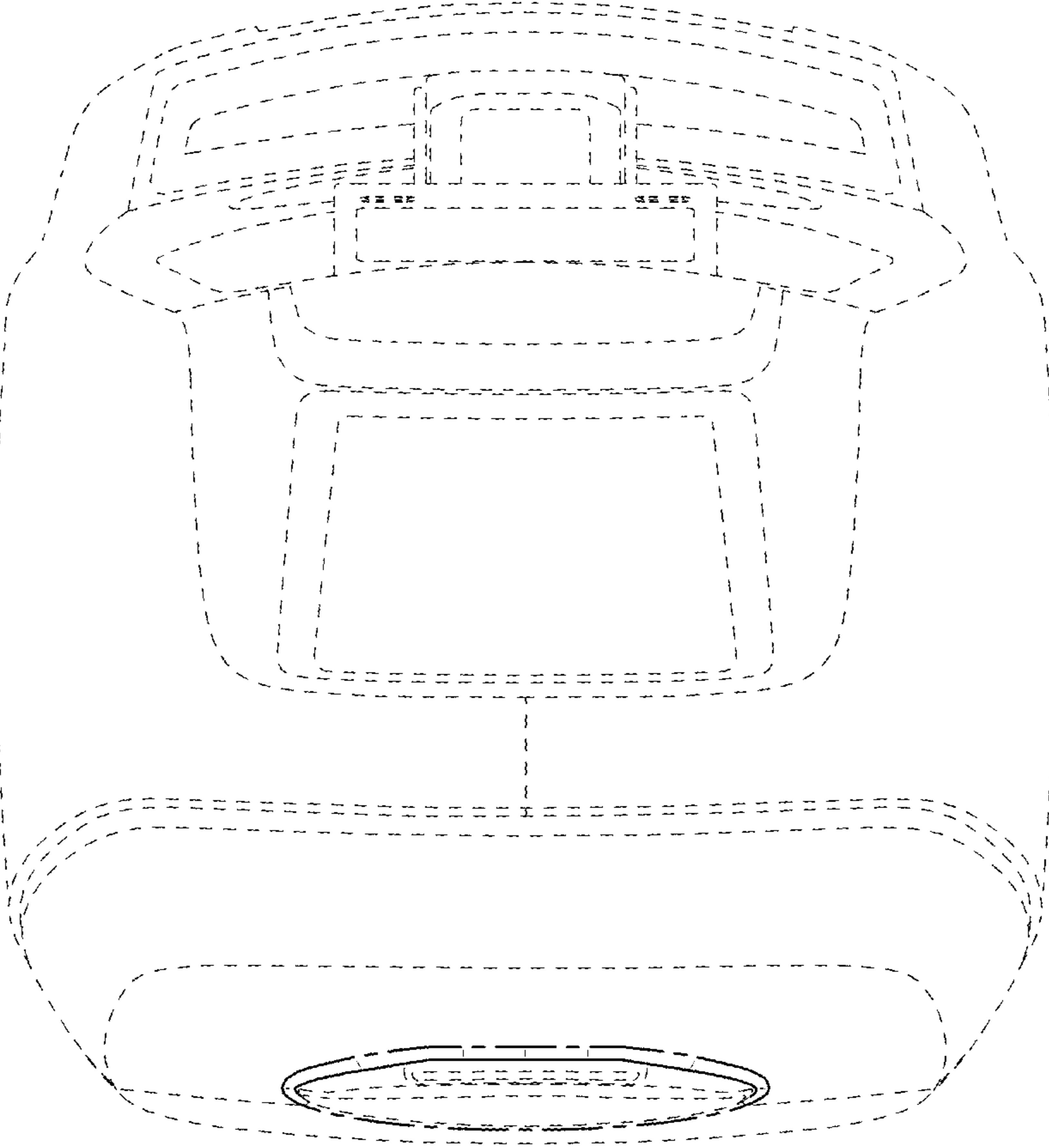




FIG. 7

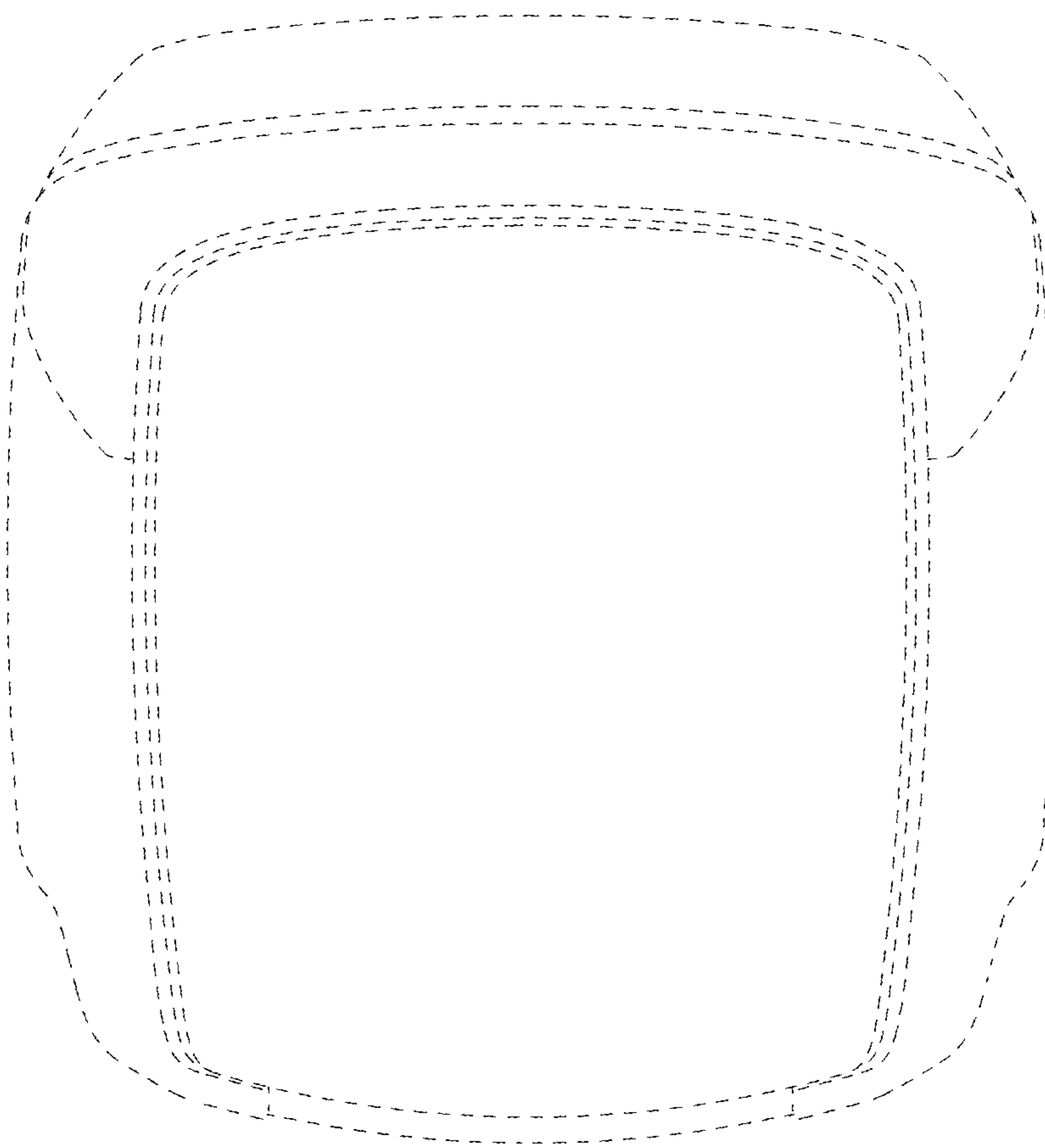


FIG. 8

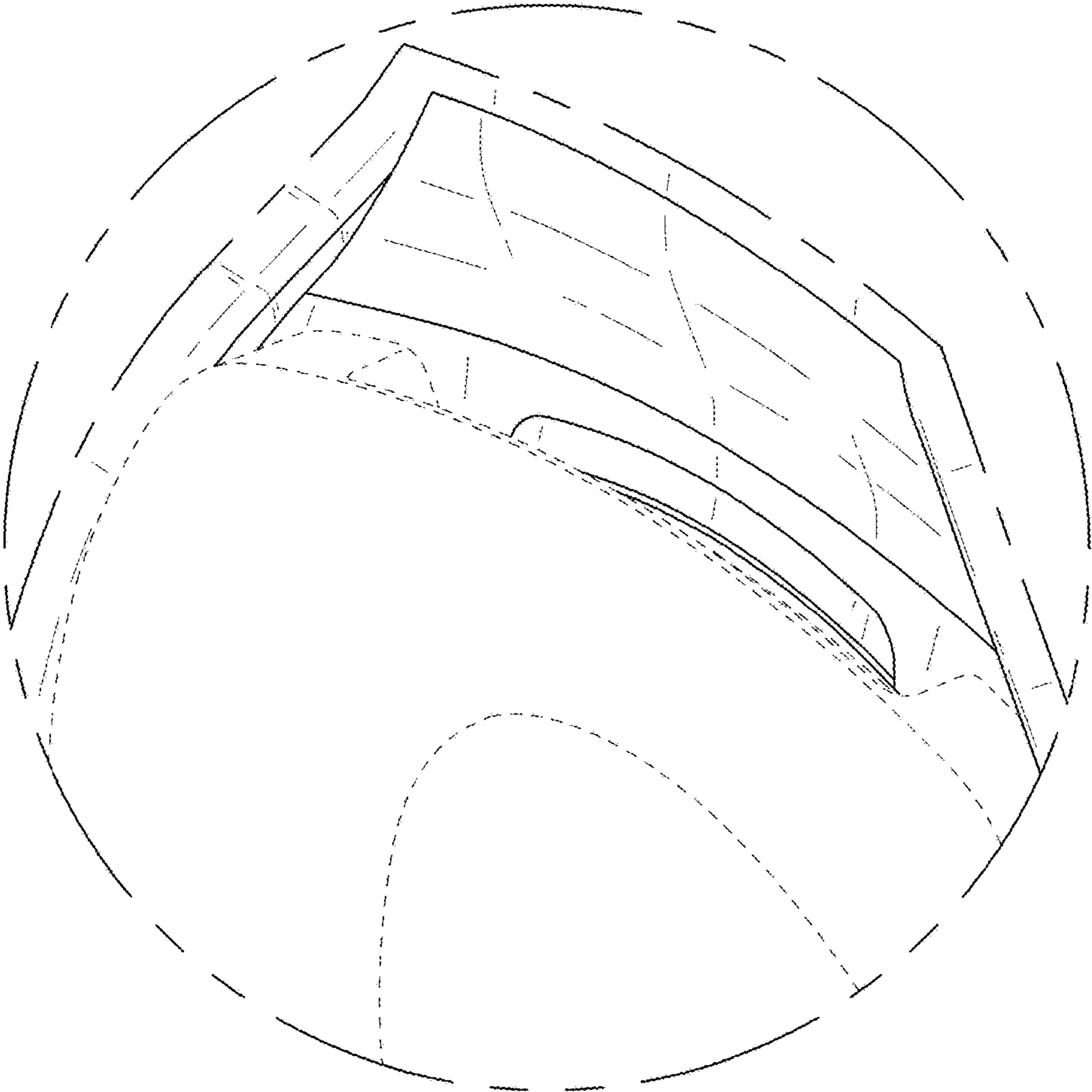


FIG. 9

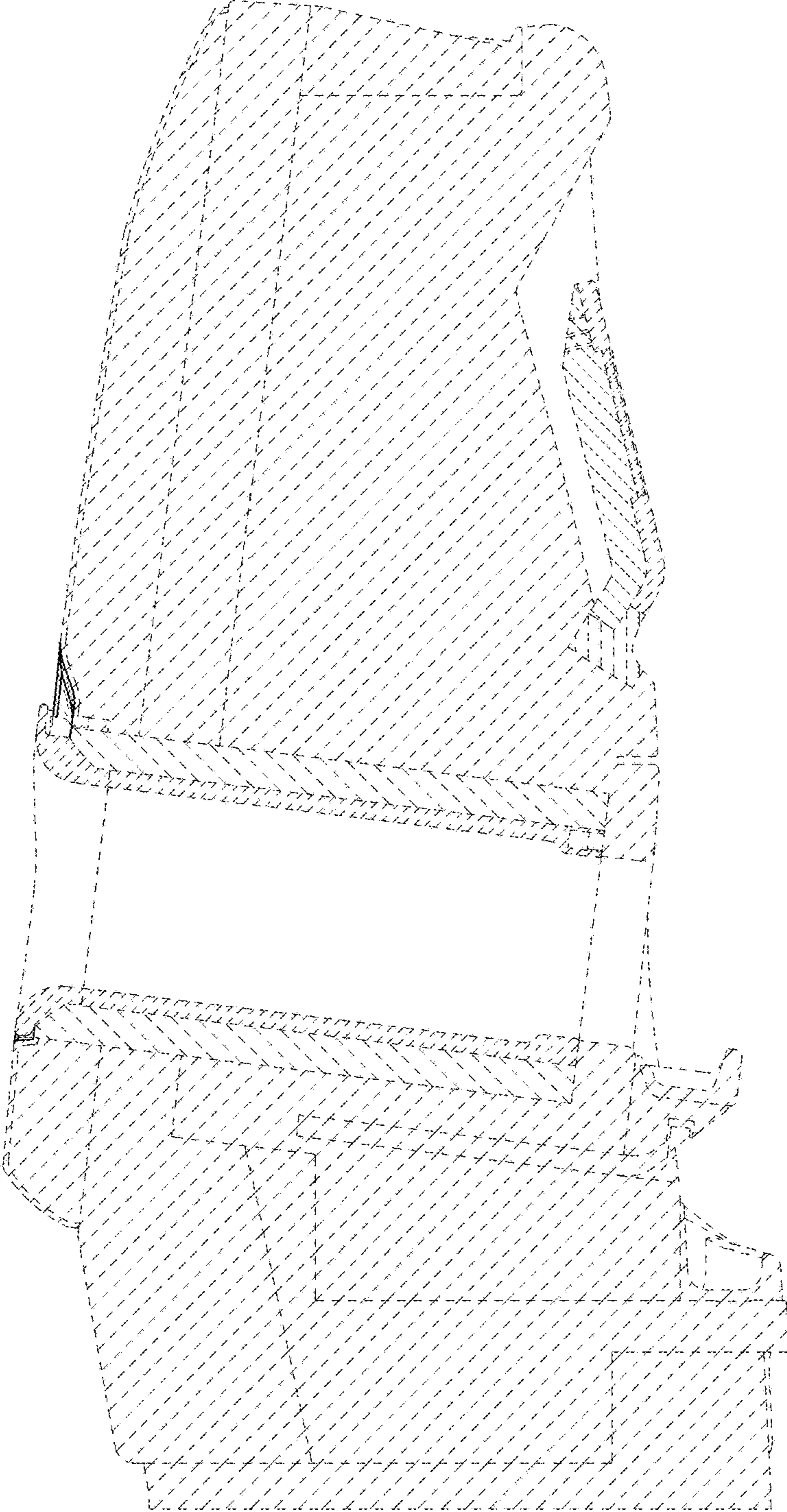


FIG. 10

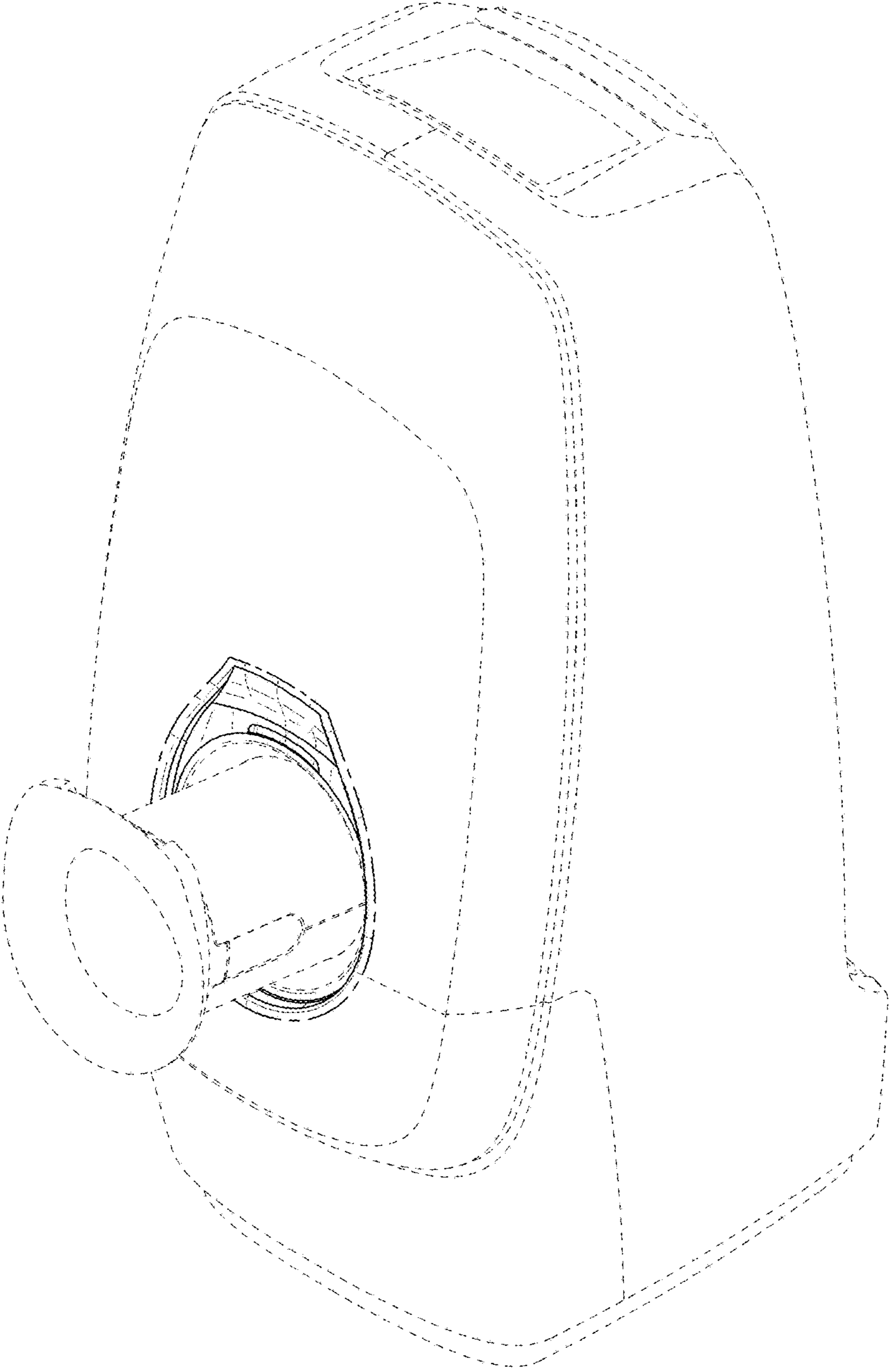


FIG. 11

