



US00D861867S

(12) **United States Design Patent**
Chang

(10) **Patent No.:** **US D861,867 S**

(45) **Date of Patent:** **** Oct. 1, 2019**

(54) **MAGNETIC RESONANCE TOMOGRAPHY
DIAGNOSIS APPARATUS**

D785,182 S *	4/2017	Grosshauser	D24/158
D785,801 S *	5/2017	Grosshauser	D24/158
D794,798 S *	8/2017	Grosshauser	D24/158
D794,799 S *	8/2017	Achleitner	D24/158
D806,878 S *	1/2018	Chang	D24/158

(71) Applicant: **Canon Medical Systems Corporation**,
Otagawa-shi, Tochigi (JP)

(72) Inventor: **Shianwei Chang**, Kawasaki (JP)

(73) Assignee: **Canon Medical Systems Corporation**,
Otagawa-shi (JP)

(**) Term: **15 Years**

(21) Appl. No.: **29/640,613**

(22) Filed: **Mar. 15, 2018**

(30) **Foreign Application Priority Data**

Oct. 24, 2017	(JP)	2017-023516
Oct. 24, 2017	(JP)	2017-023518

(51) **LOC (12) Cl.** **24-01**

(52) **U.S. Cl.**
USPC **D24/158**

(58) **Field of Classification Search**
USPC D24/107, 158-161, 185, 186, 187, 231;
D13/162, 168, 171; D14/388, 443
CPC .. A61B 6/03; A61B 6/035; A61B 5/05; A61B
5/055
See application file for complete search history.

(56) **References Cited**

U.S. PATENT DOCUMENTS

D701,309 S	3/2014	Ohmukai	
D715,945 S *	10/2014	Zhang D24/159
D738,505 S *	9/2015	Eberler D24/158
D758,587 S *	6/2016	Eberler D24/158
D785,180 S	4/2017	Avranches et al.	
D785,181 S *	4/2017	Grosshauser D24/158

FOREIGN PATENT DOCUMENTS

CN	303730461	6/2016
CN	303827769	8/2016
JP	1282246	9/2006
JP	1282248	9/2006

(Continued)

Primary Examiner — Anhdao Doan

(74) *Attorney, Agent, or Firm* — Finnegan, Henderson,
Farabow, Garrett & Dunner LLP

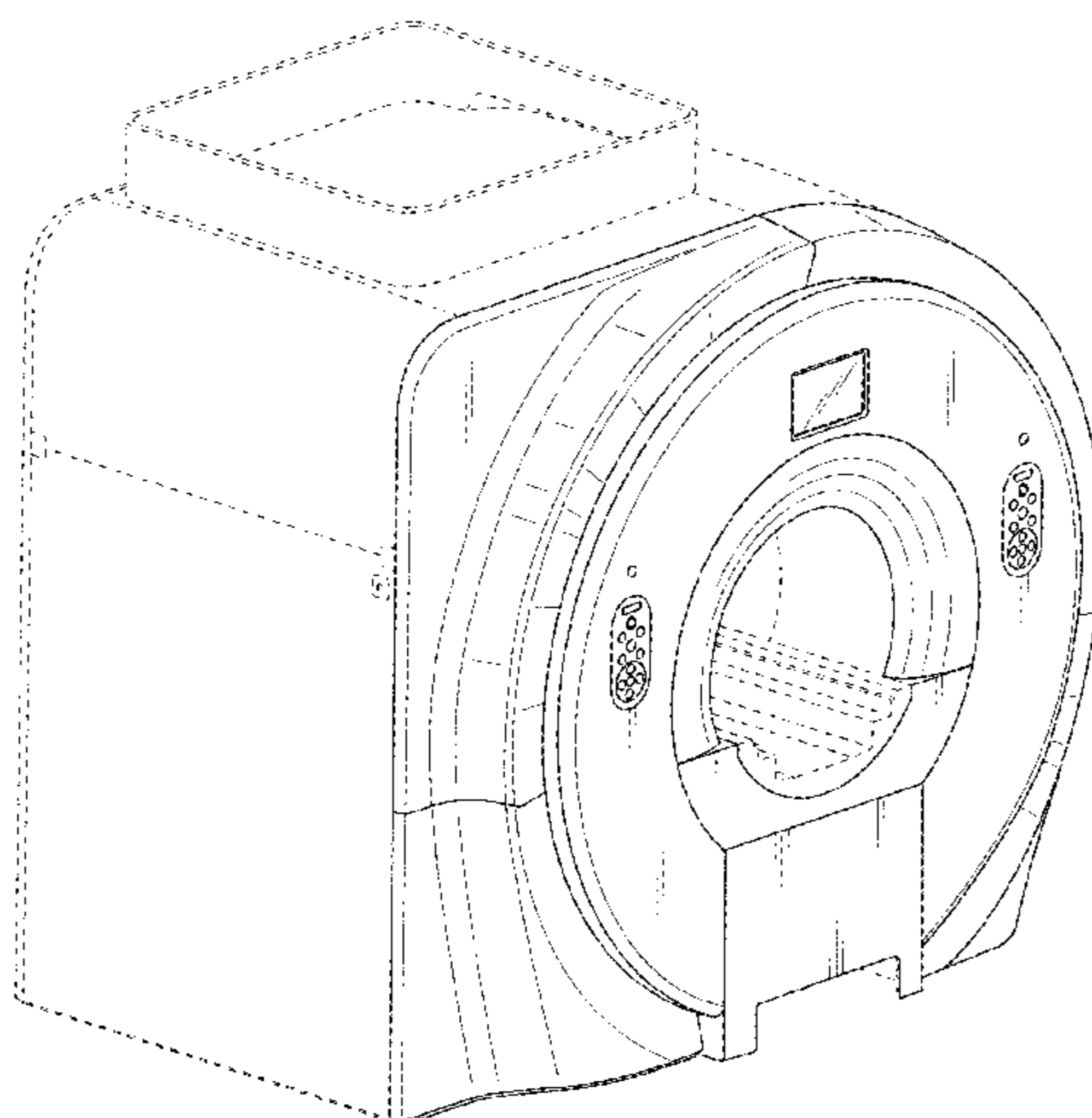
(57) **CLAIM**

The ornamental design for a magnetic resonance tomogra-
phy diagnosis apparatus, as shown and described.

DESCRIPTION

FIG. 1 is a front perspective view of a magnetic resonance tomography diagnosis apparatus showing my new design, according to an embodiment thereof;
FIG. 2 is a rear perspective view thereof;
FIG. 3 is a front elevational view thereof;
FIG. 4 is a rear elevational view thereof;
FIG. 5 is a top plan view thereof;
FIG. 6 is a bottom plan view thereof;
FIG. 7 is a left side elevational view thereof;
FIG. 8 is a right side elevational view thereof;
FIG. 9 is a sectional view taken along line 9-9 shown in FIG. 3 with internal mechanism being omitted thereof; and,
FIG. 10 is a sectional view taken along line 10-10 shown in FIG. 3 with internal mechanism being omitted thereof.
The broken lines shown in the drawings illustrate portions of the diagnosis apparatus that form no part of the claimed design.

1 Claim, 10 Drawing Sheets



(56)

References Cited

FOREIGN PATENT DOCUMENTS

JP	1359834	3/2010
JP	1439213	4/2012
JP	1439215	4/2012
JP	1456737	12/2012
JP	1456980	12/2012
JP	1562665	11/2016
JP	1562666	11/2016
KR	30-0757665	8/2014
KR	30-0777156	12/2014

* cited by examiner

Fig. 1

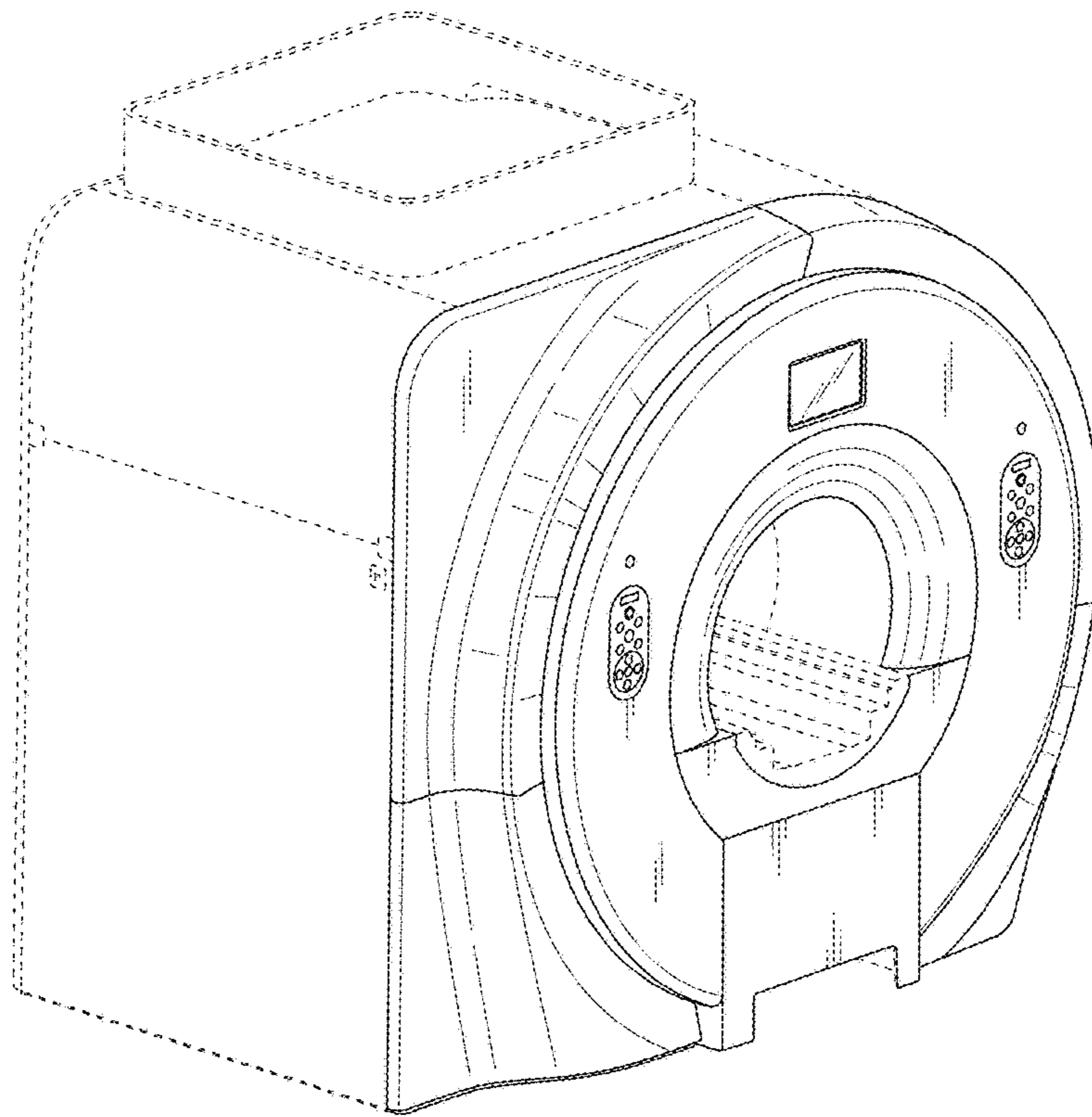


Fig. 2

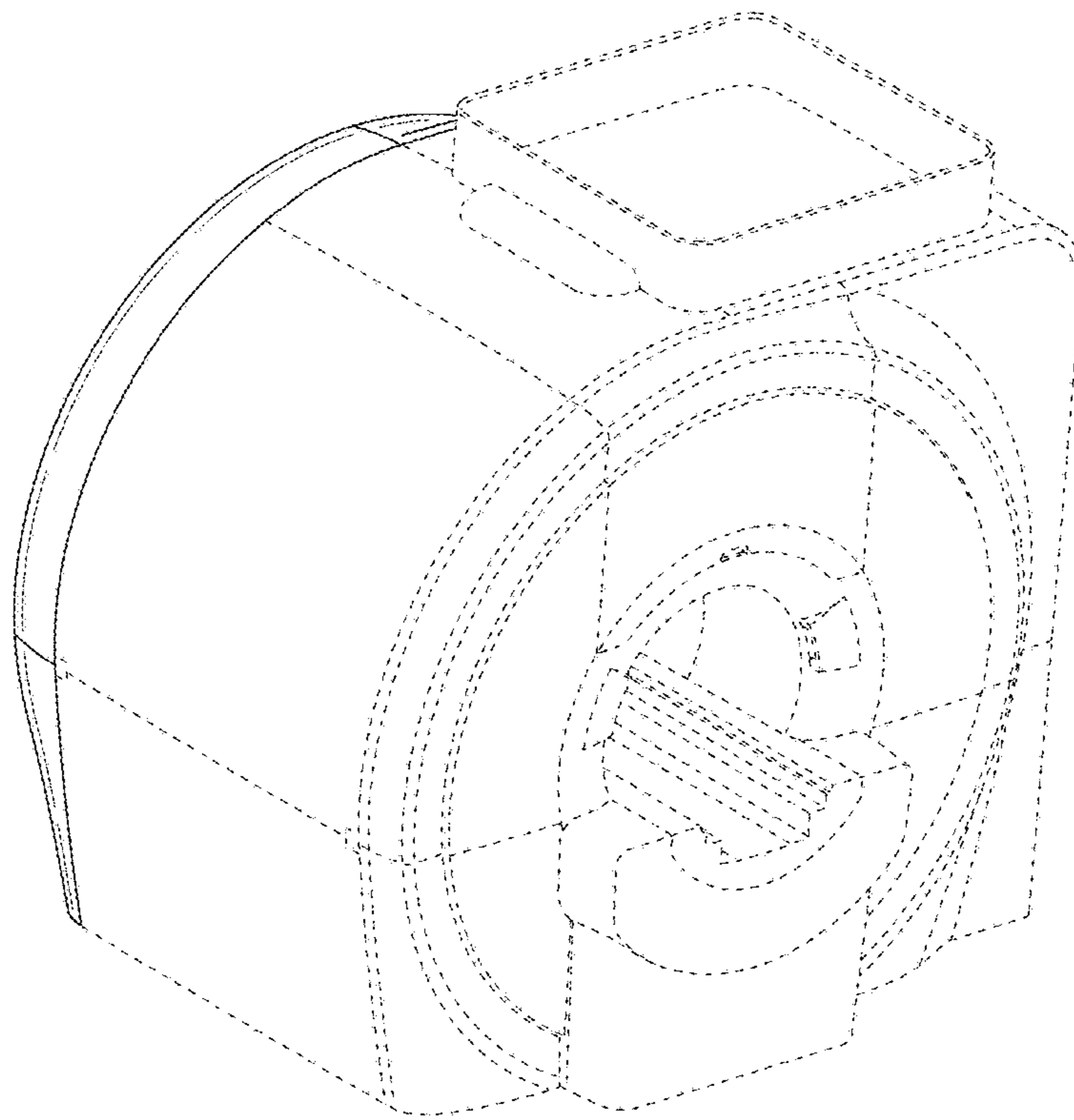


Fig. 3

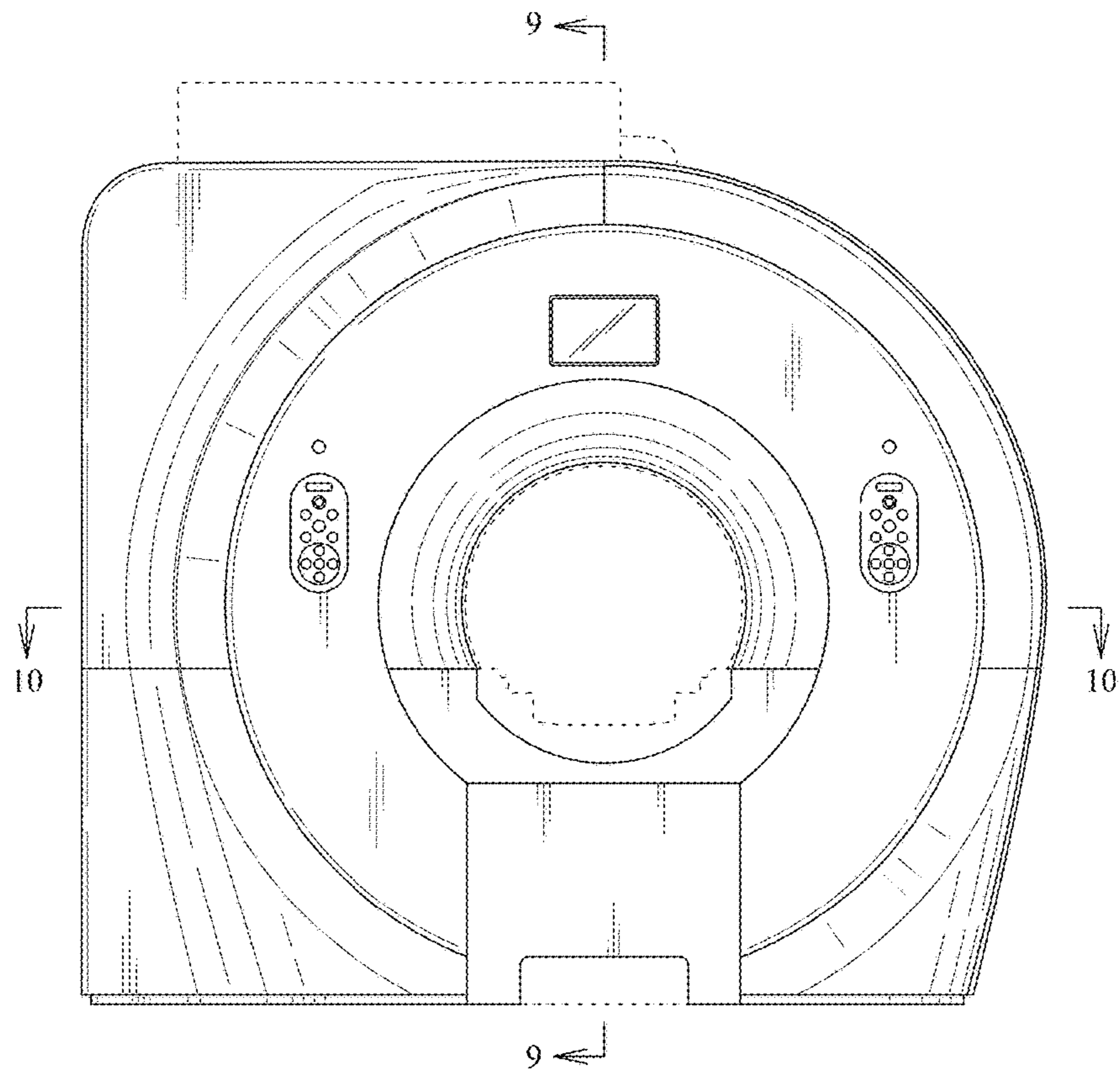


Fig. 4

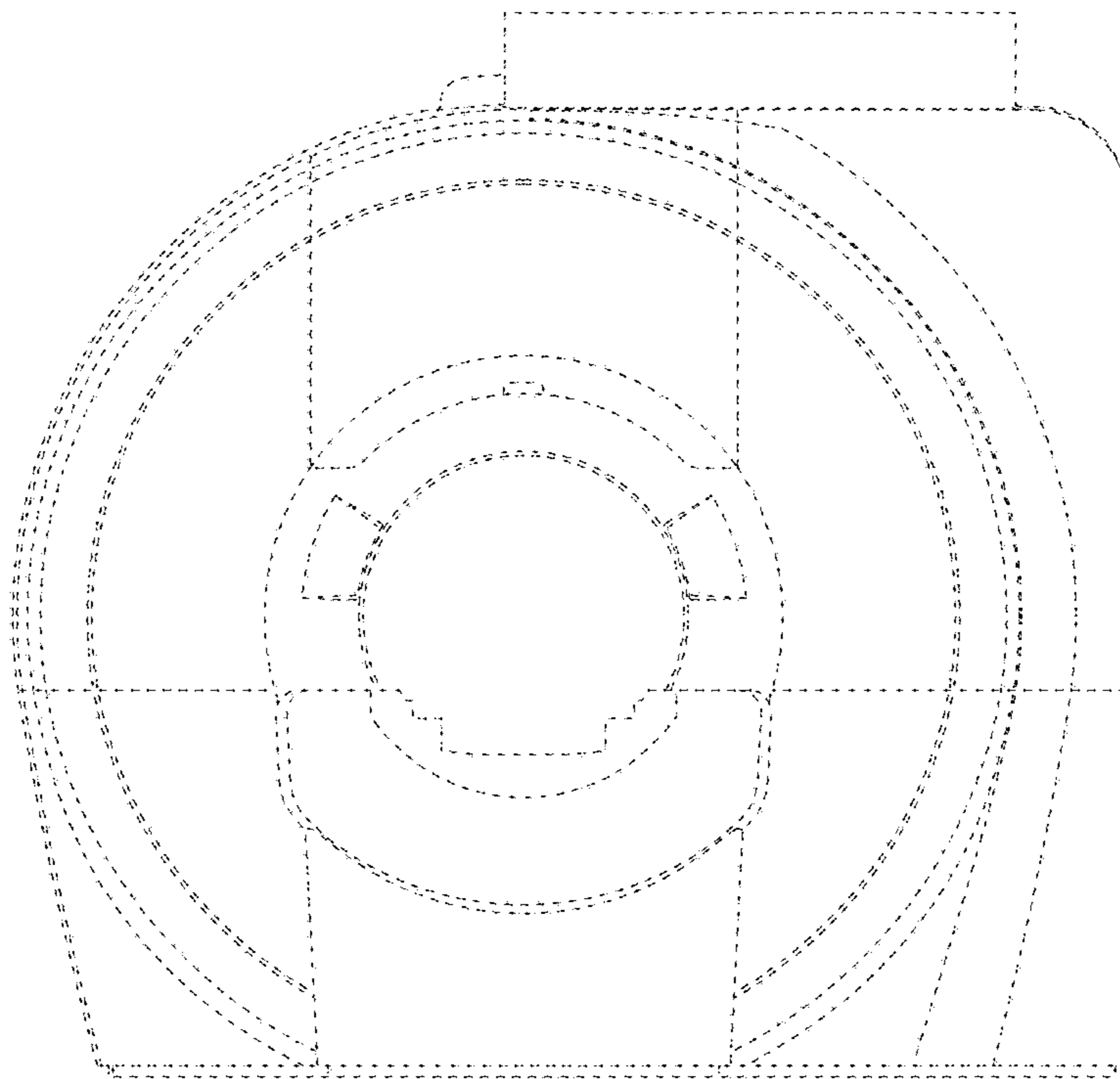


Fig. 5

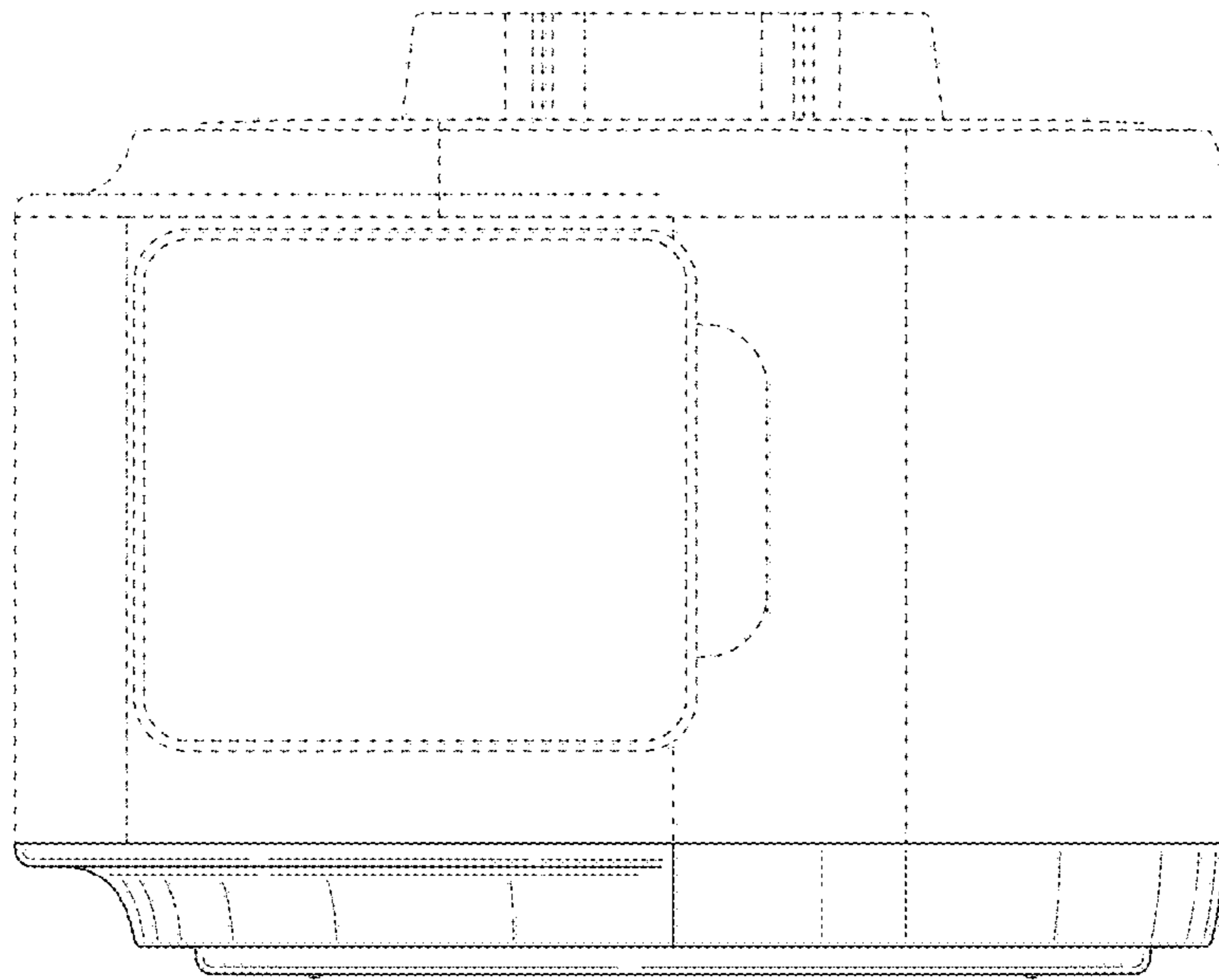


Fig. 6

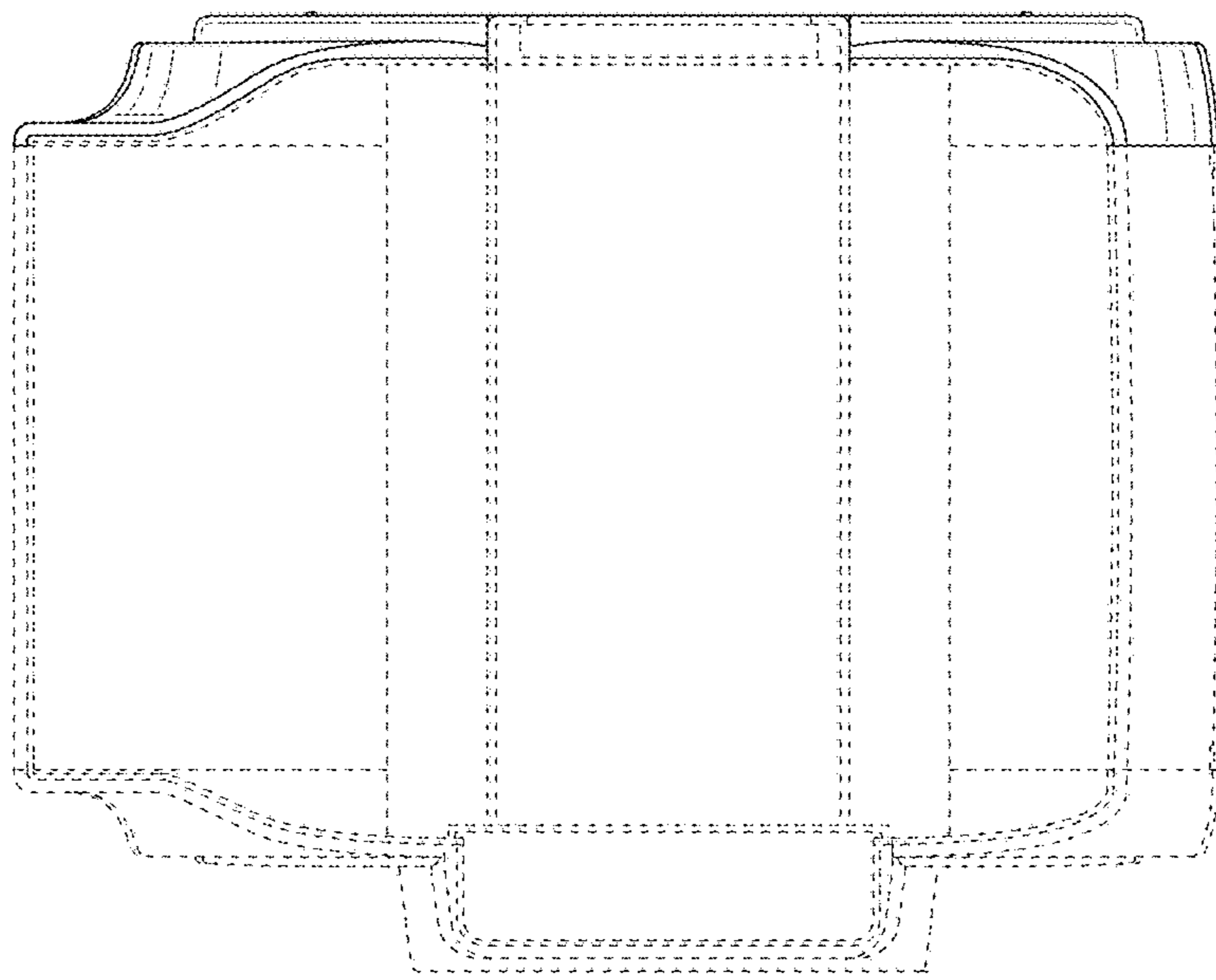


Fig. 7

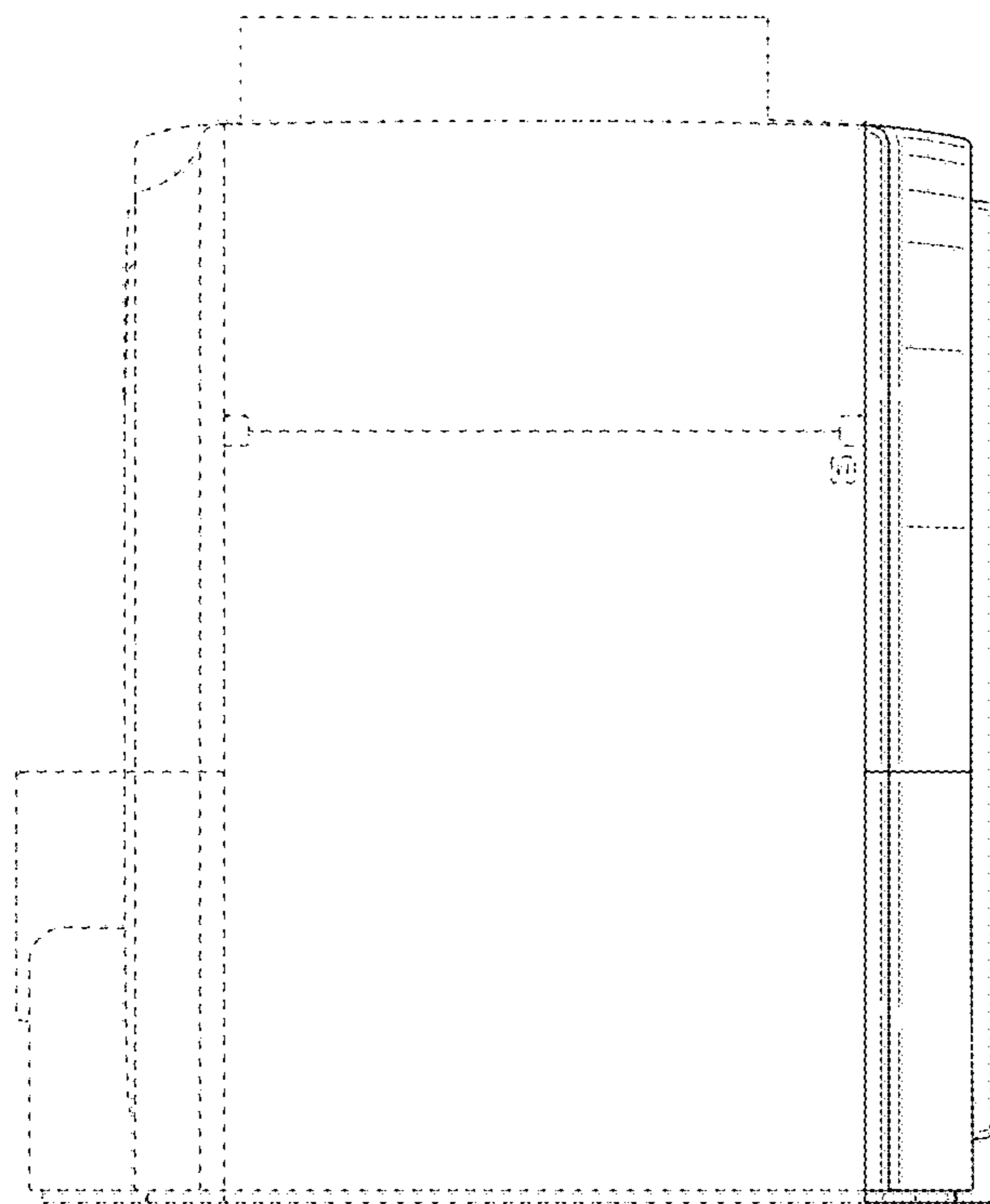


Fig. 8

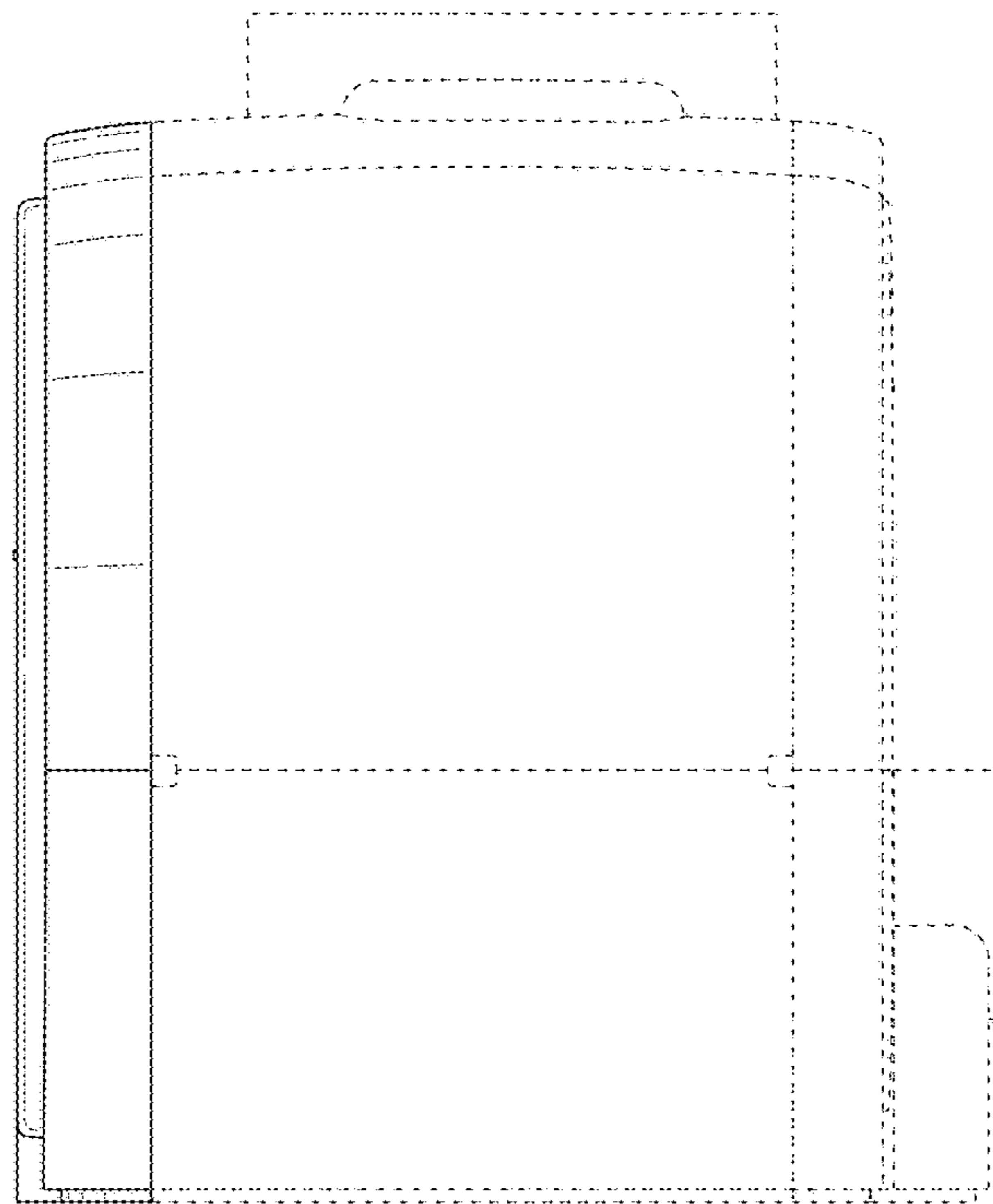


Fig. 9

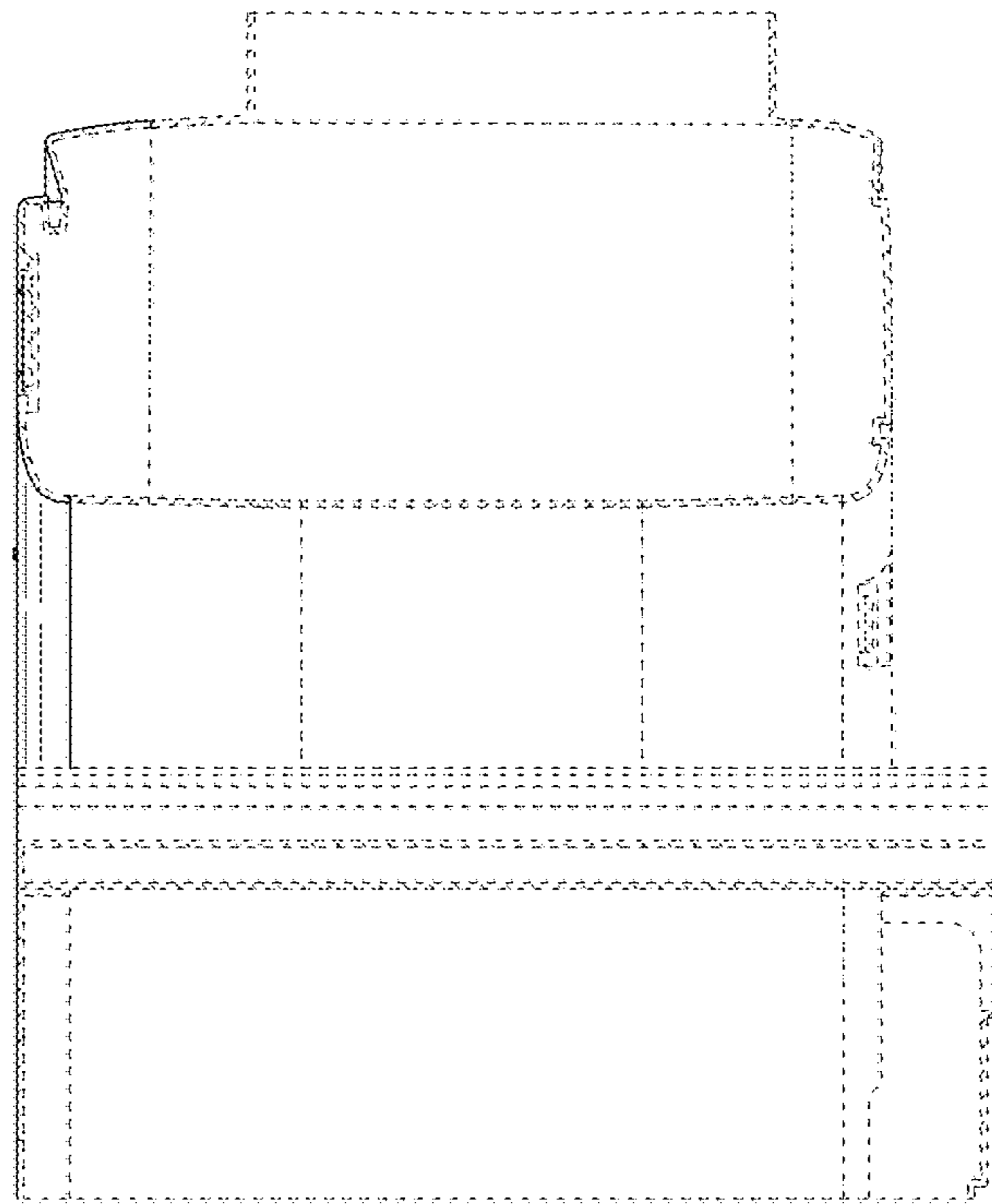


Fig. 10

