



US00D861864S

(12) **United States Design Patent**  
**Amano**

(10) **Patent No.:** **US D861,864 S**  
(45) **Date of Patent:** **\*\* Oct. 1, 2019**

(54) **OPERATING UNIT FOR SURGICAL DEVICE**

(71) Applicant: **OLYMPUS CORPORATION**,  
Hachioji-shi, Tokyo (JP)

(72) Inventor: **Hirotooshi Amano**, Tokyo (JP)

(73) Assignee: **OLYMPUS CORPORATION**, Tokyo  
(JP)

(\*\*) Term: **15 Years**

(21) Appl. No.: **29/639,757**

(22) Filed: **Mar. 8, 2018**

(30) **Foreign Application Priority Data**

Sep. 8, 2017 (JP) ..... 2017-019508

(51) **LOC (12) Cl.** ..... **24-02**

(52) **U.S. Cl.**  
USPC ..... **D24/133**

(58) **Field of Classification Search**  
USPC ..... D24/133, 141, 147, 137, 138; D8/303,  
D8/313  
CPC ..... A61F 2002/9517; A61F 2002/9522; A61F  
2002/9528; A61F 2002/9534; A61F  
2002/9665; A61B 1/267; A61B 1/2673;  
A61B 1/2676; A61B 1/00; A61B  
1/00052; A61B 1/00066; A61B 5/0077;  
A61B 19/5223; A61B 19/5225; A61B  
1/04; A61B 8/5215; G02B 23/24  
See application file for complete search history.

(56) **References Cited**

**U.S. PATENT DOCUMENTS**

D389,915 S \* 1/1998 Emerson ..... D24/133  
D424,197 S \* 5/2000 Sydlowski ..... D24/133  
D489,183 S \* 5/2004 Akahori ..... D4/101  
D658,382 S \* 5/2012 Heil ..... D4/101  
D664,657 S \* 7/2012 Vieira ..... D24/144

D673,676 S \* 1/2013 Goudreau ..... D24/133  
D681,807 S \* 5/2013 Niedbala ..... D24/113  
D780,916 S \* 3/2017 Ogura ..... D24/138  
D798,445 S \* 9/2017 Heni ..... D24/133  
D801,696 S \* 11/2017 McGarry ..... D4/101

(Continued)

**FOREIGN PATENT DOCUMENTS**

WO WO-2018162561 A1 \* 9/2018 ..... A61B 1/00

*Primary Examiner* — Susan Bennett Hattan

*Assistant Examiner* — Lauren D McVey

(74) *Attorney, Agent, or Firm* — Oliff PLC

(57) **CLAIM**

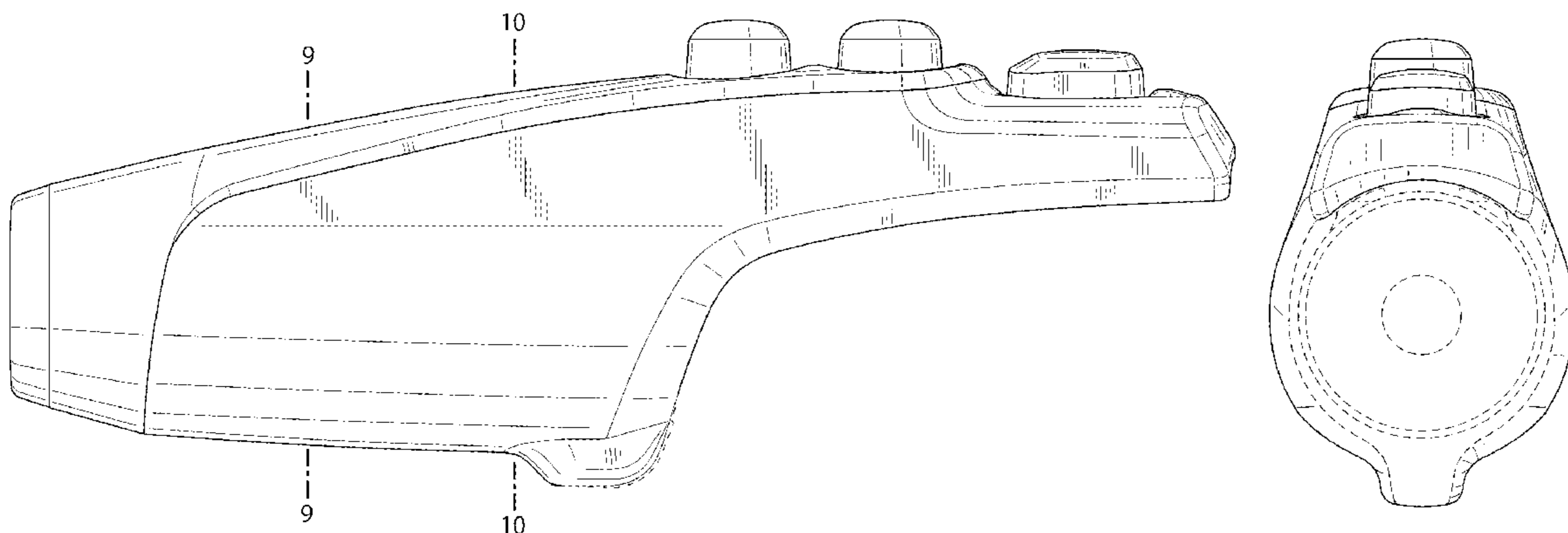
The ornamental design for an operating unit for surgical device, as shown and described.

**DESCRIPTION**

FIG. 1 is a front, top and right side perspective view of an operating unit for surgical device, showing my new design; FIG. 2 is a rear, top and left side perspective view thereof; FIG. 3 is a front view thereof; FIG. 4 is a rear view thereof; FIG. 5 is a top view thereof; FIG. 6 is a bottom view thereof; FIG. 7 is a left side view thereof; FIG. 8 is a right side view thereof; FIG. 9 is a cross section view thereof, taken along the line 9-9 in FIG. 3; and, FIG. 10 is a cross section view thereof, taken along the line 10-10 in FIG. 3.

The broken lines immediately adjacent to the shaded areas depict the bounds of the claimed design, while all other broken lines are directed to environment. In addition, the dot-dash broken lines in the FIG. 3 view are used to identify the cross section views, and are for reference purposes only. The broken lines form no part of the claimed design.

**1 Claim, 7 Drawing Sheets**



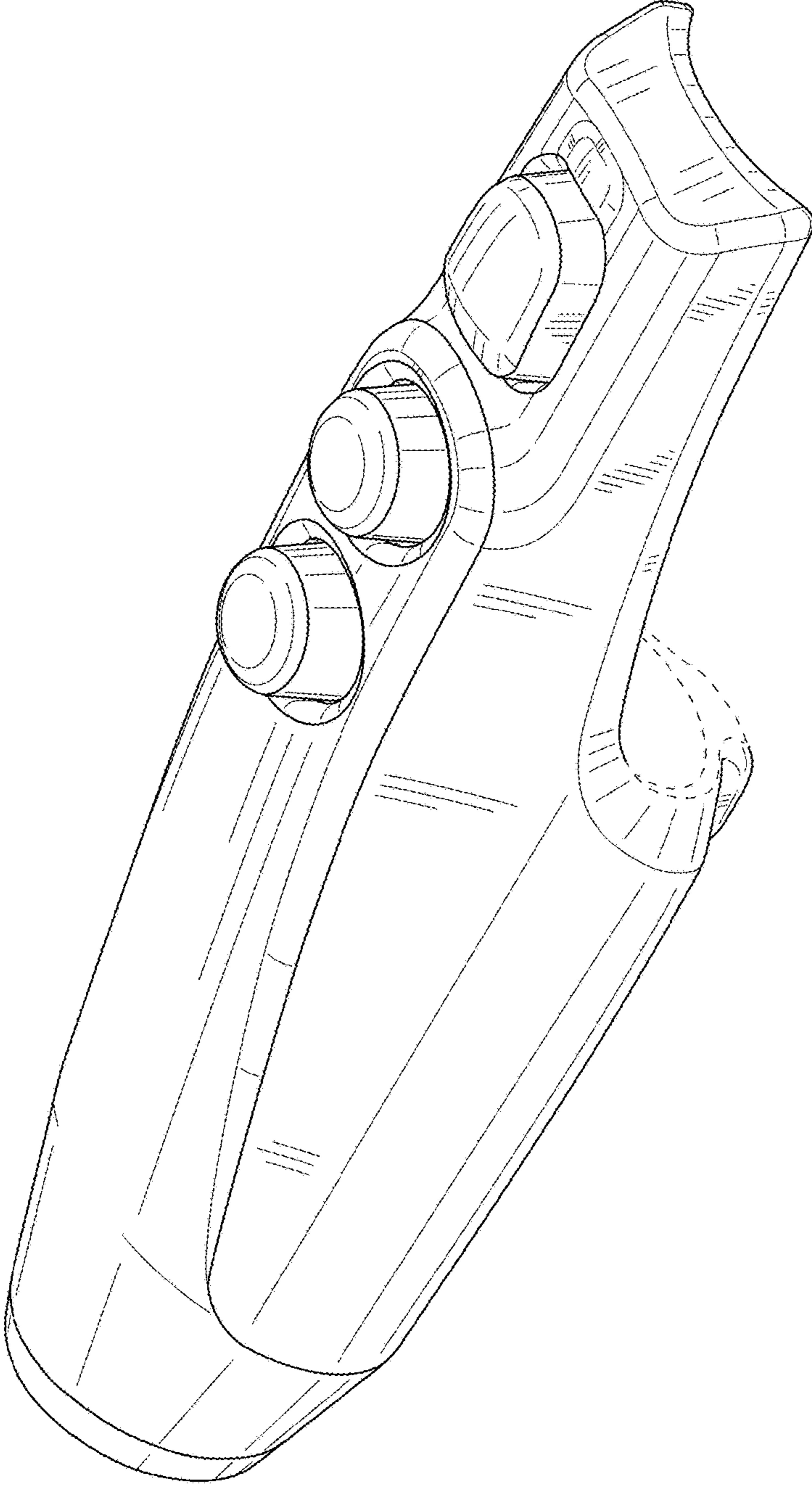
(56)

**References Cited**

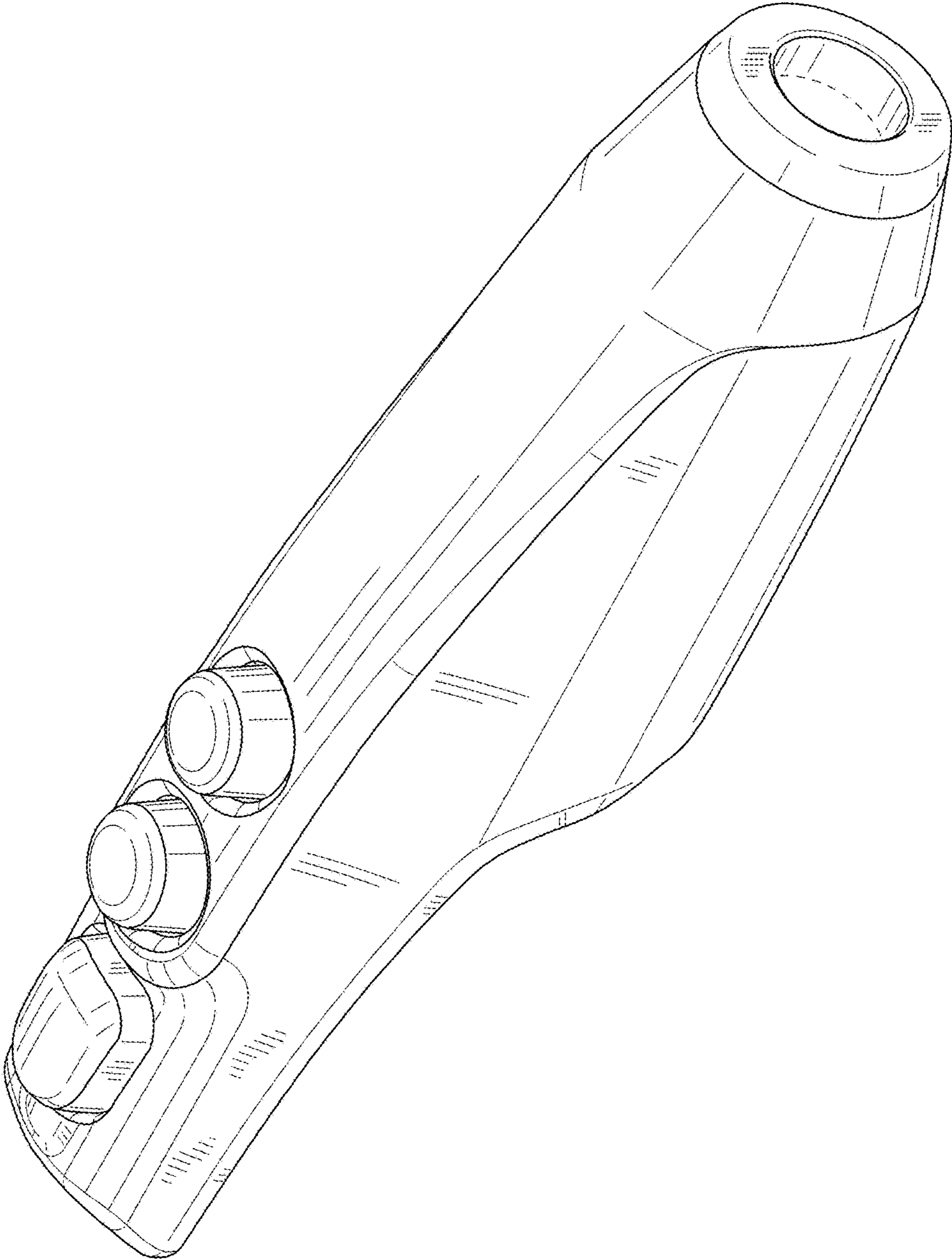
U.S. PATENT DOCUMENTS

D820,972 S \* 6/2018 Klever ..... D24/108  
2004/0209222 A1\* 10/2004 Snyder ..... A61C 17/02  
433/80  
2016/0270694 A1\* 9/2016 Tang ..... A61B 5/1076

\* cited by examiner



*Fig. 1*



*Fig. 2*

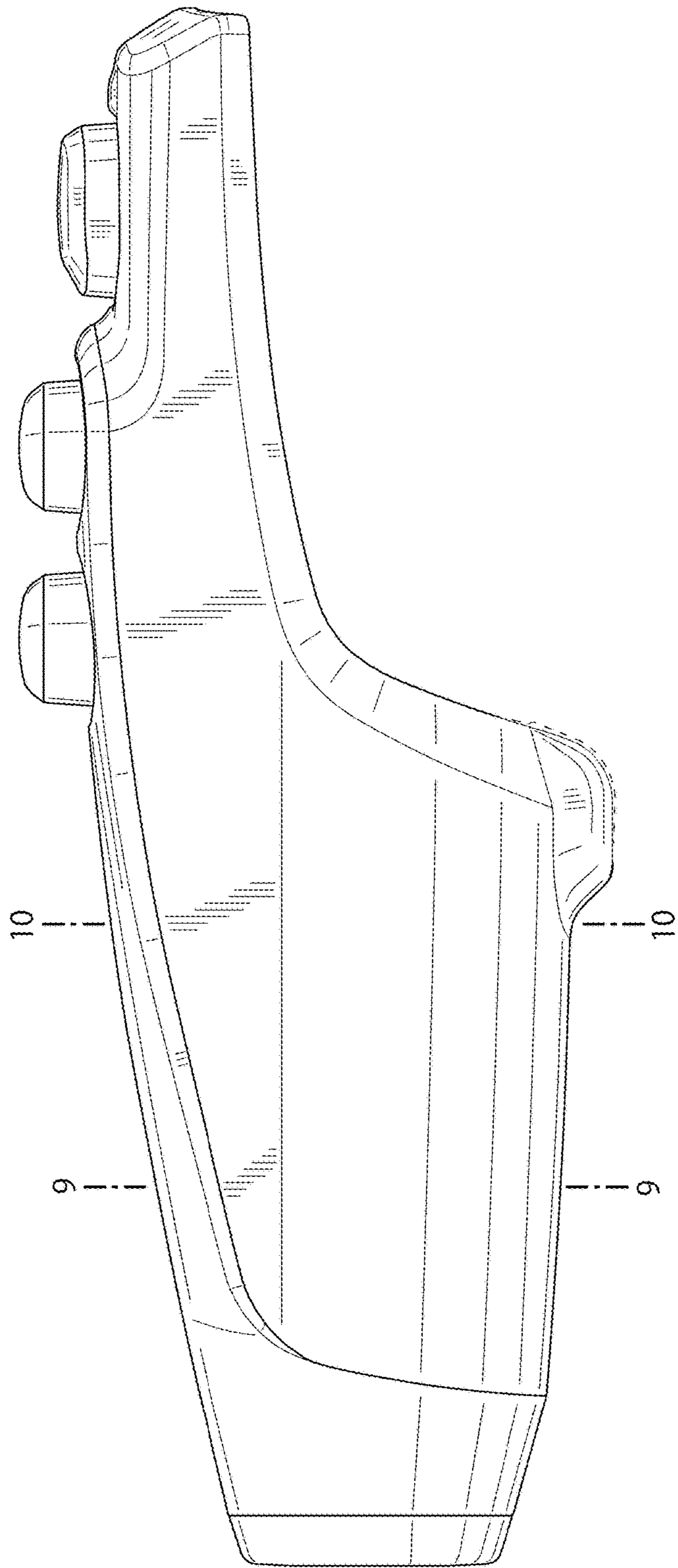


Fig. 3

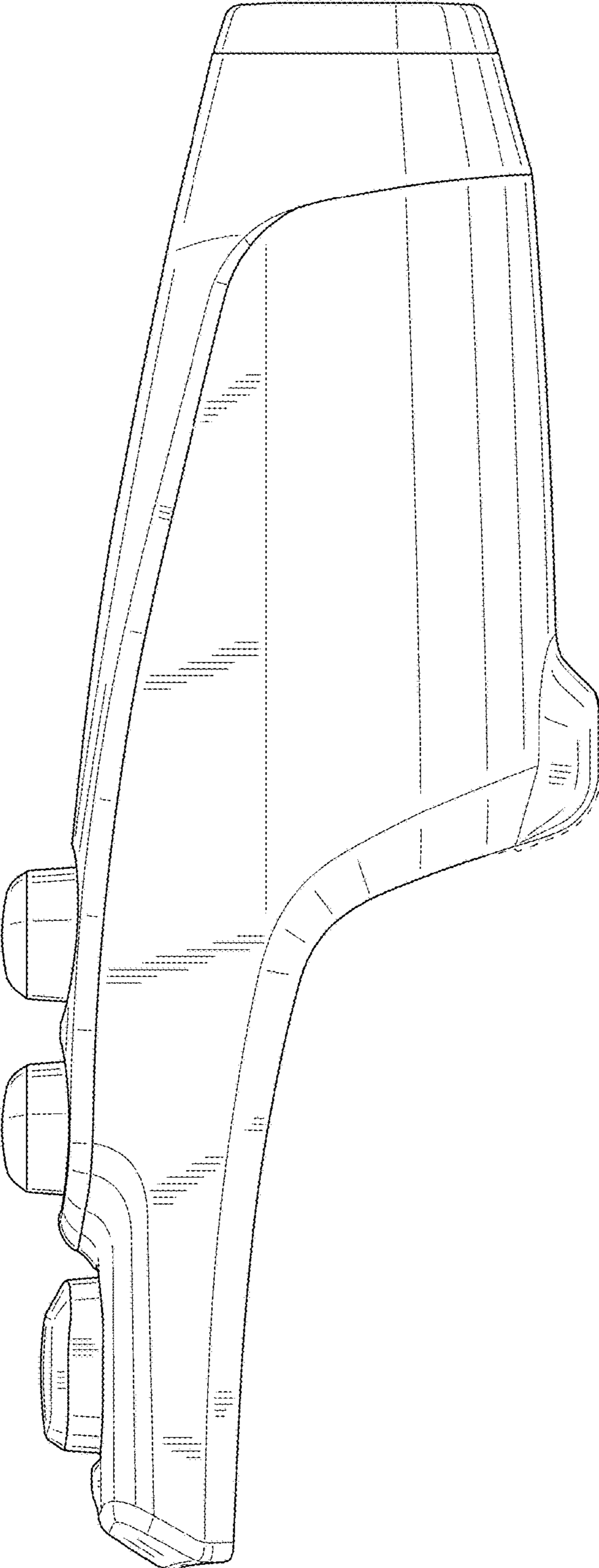
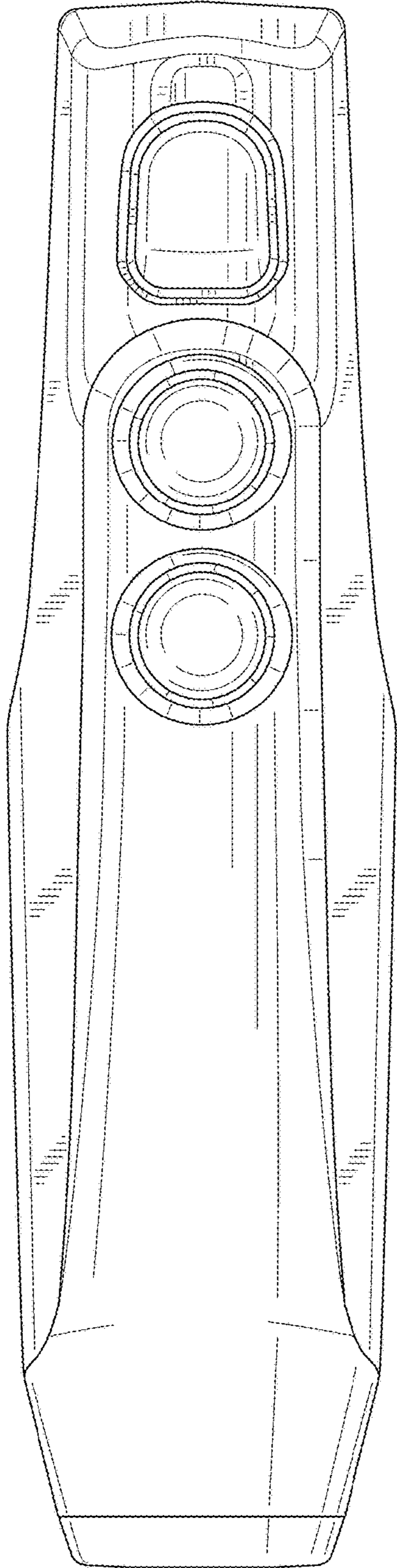
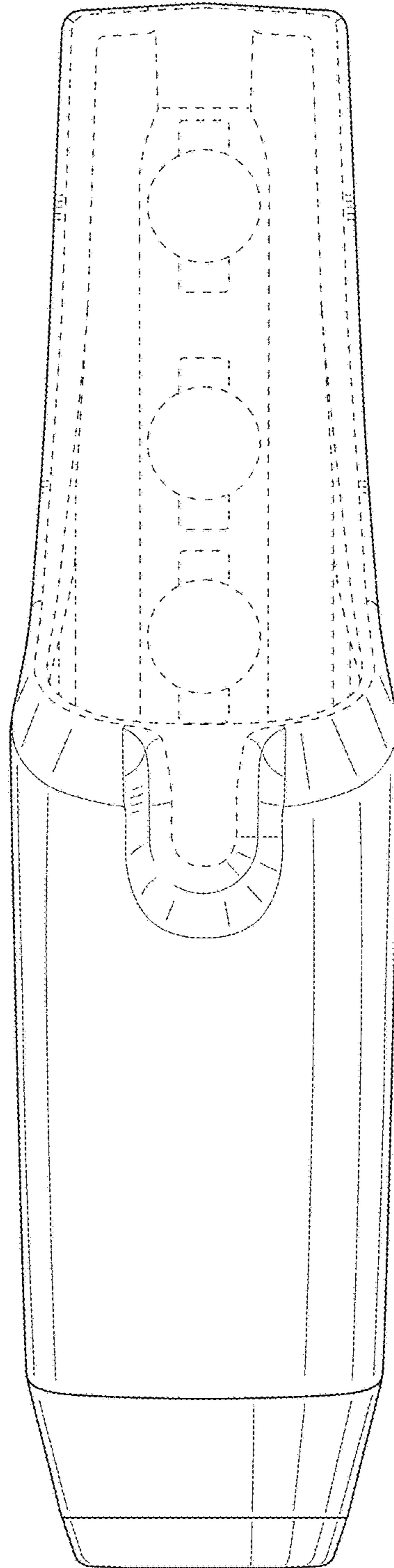


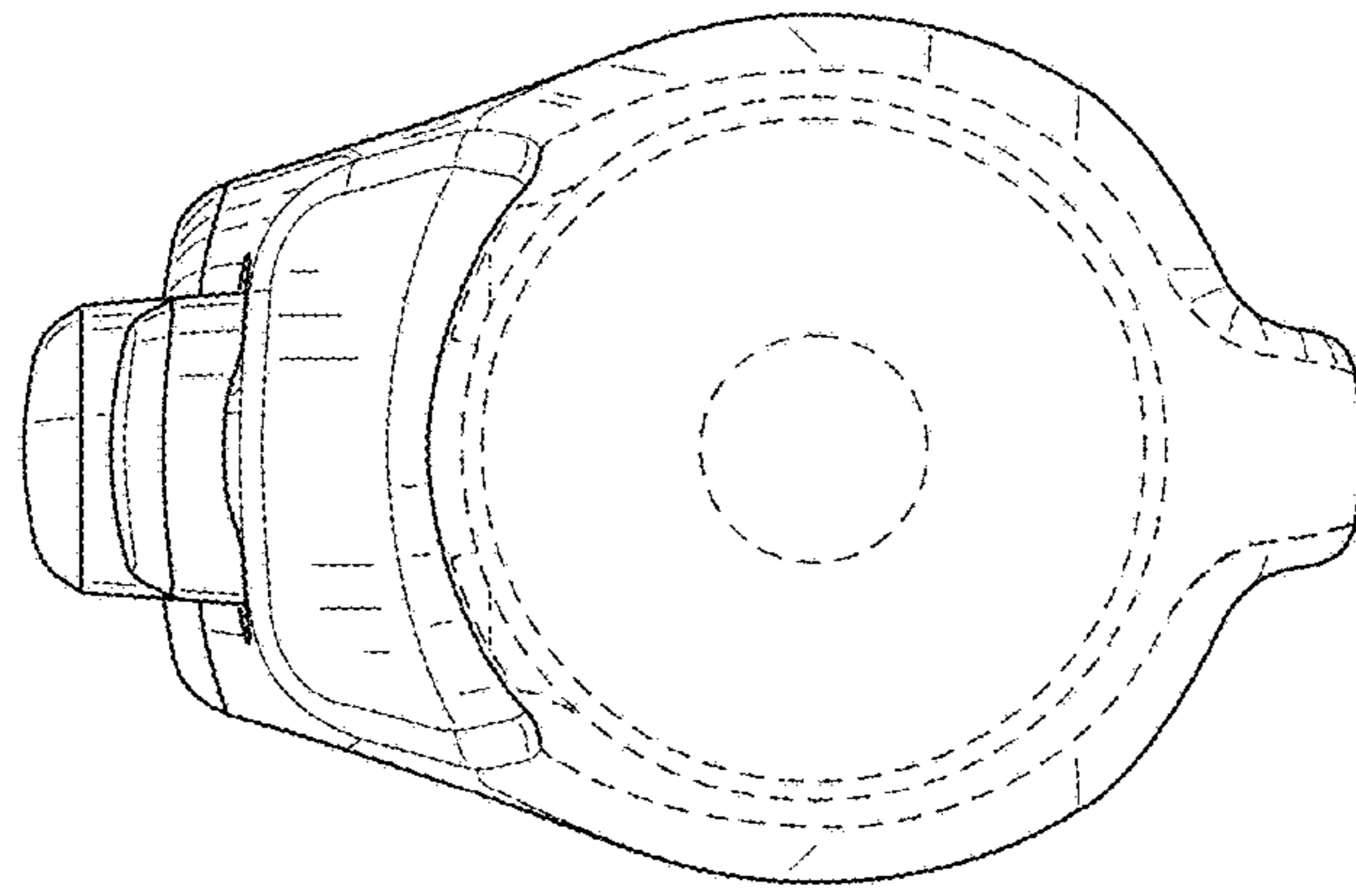
Fig. 4



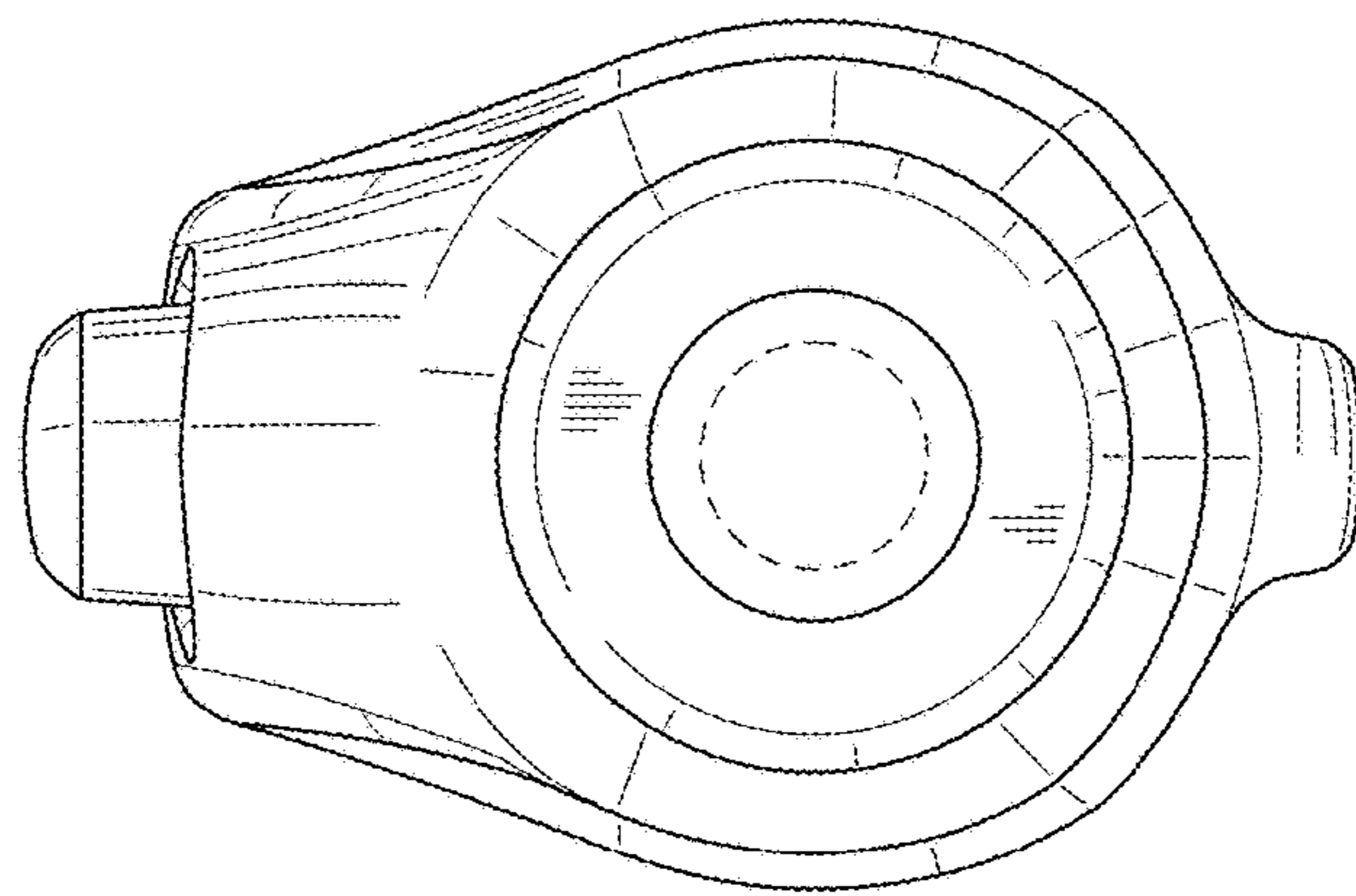
*Fig. 5*



*Fig. 6*

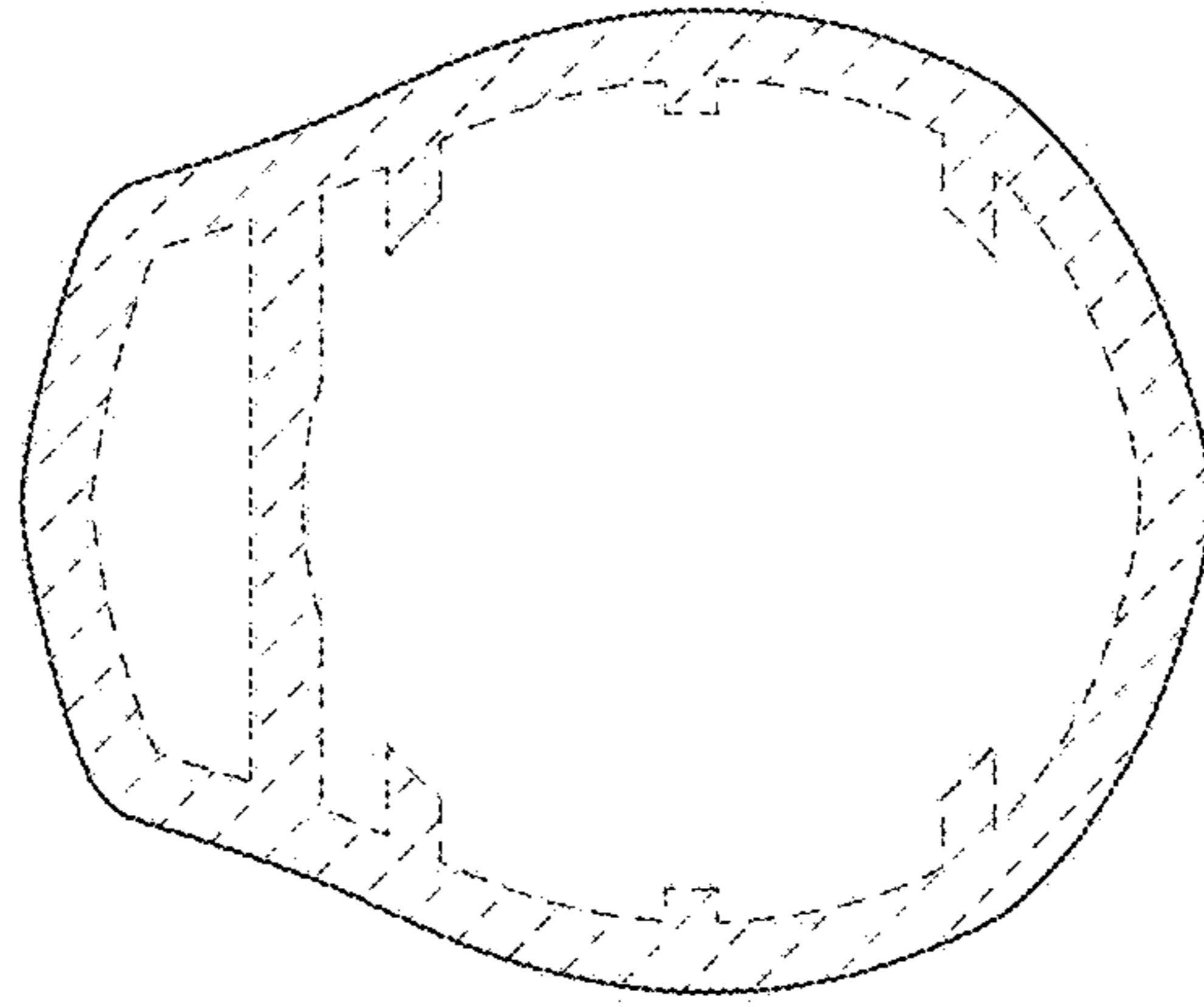


*Fig. 7*

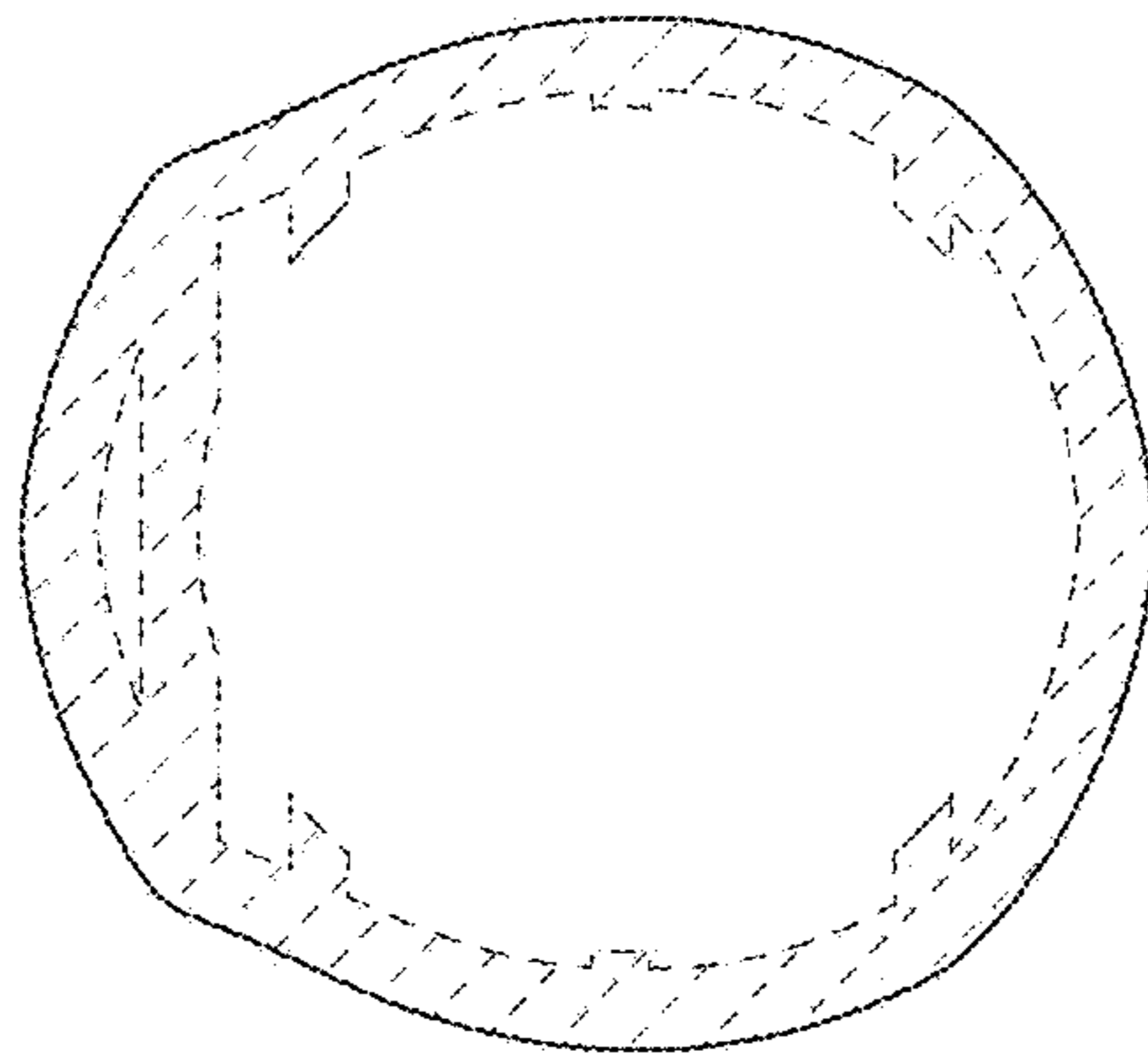


*Fig. 8*





*Fig. 10*



*Fig. 9*