

US00D861863S

(12) **United States Design Patent** (10) **Patent No.:** **US D861,863 S**
Leonard (45) **Date of Patent:** **** Oct. 1, 2019**

(54) **VAPOR TRANSFER CARTRIDGE FOR USE IN A RESPIRATORY THERAPY SYSTEM**

D676,567 S * 2/2013 van den Engh D24/216
D705,423 S 5/2014 Cutler
8,857,429 B2 10/2014 Spandorfer
(Continued)

(71) Applicant: **Vapotherm, Inc.**, Exeter, NH (US)

(72) Inventor: **Scott A. Leonard**, Bedford, MA (US)

FOREIGN PATENT DOCUMENTS

(73) Assignee: **VAPOTHERM, INC.**, Exeter, NH (US)

EP 3025775 6/2016
WO WO-2005097307 10/2005
(Continued)

(**) Term: **15 Years**

(21) Appl. No.: **29/664,517**

OTHER PUBLICATIONS

(22) Filed: **Sep. 26, 2018**

International Search Report and Written Opinion for International Application No. PCT/US2017/057096 dated Feb. 7, 2018 (12 pages).

Related U.S. Application Data

(63) Continuation of application No. 29/581,594, filed on Oct. 20, 2016, now Pat. No. Des. 833,004.

Primary Examiner — David G Muller

(74) *Attorney, Agent, or Firm* — White & Case LLP

(51) **LOC (12) Cl.** **24-02**

(57) **CLAIM**

(52) **U.S. Cl.**
USPC **D24/127**

The ornamental design for a vapor transfer cartridge for use in a respiratory therapy system, as shown and described.

(58) **Field of Classification Search**

DESCRIPTION

USPC D24/127–131, 112–114, 133, 186;
606/181, 185; 604/264, 523–528, 272,
604/187, 158, 164.01–164.11, 181, 184,
604/227; 600/101, 139, 143;
128/200.24, 207.14, 207.15
CPC A61M 16/161; A61M 16/0003
See application file for complete search history.

FIG. 1 is a perspective view from the top, front and left of a vapor transfer cartridge for use in a respiratory therapy system;
FIG. 2 is a perspective view from the top, rear, and right side thereof;
FIG. 3 is a front elevation view thereof;
FIG. 4 is a rear elevation view thereof;
FIG. 5 is a left side elevation view thereof;
FIG. 6 is a right side elevation view thereof; and,
FIG. 7 is a top view thereof.

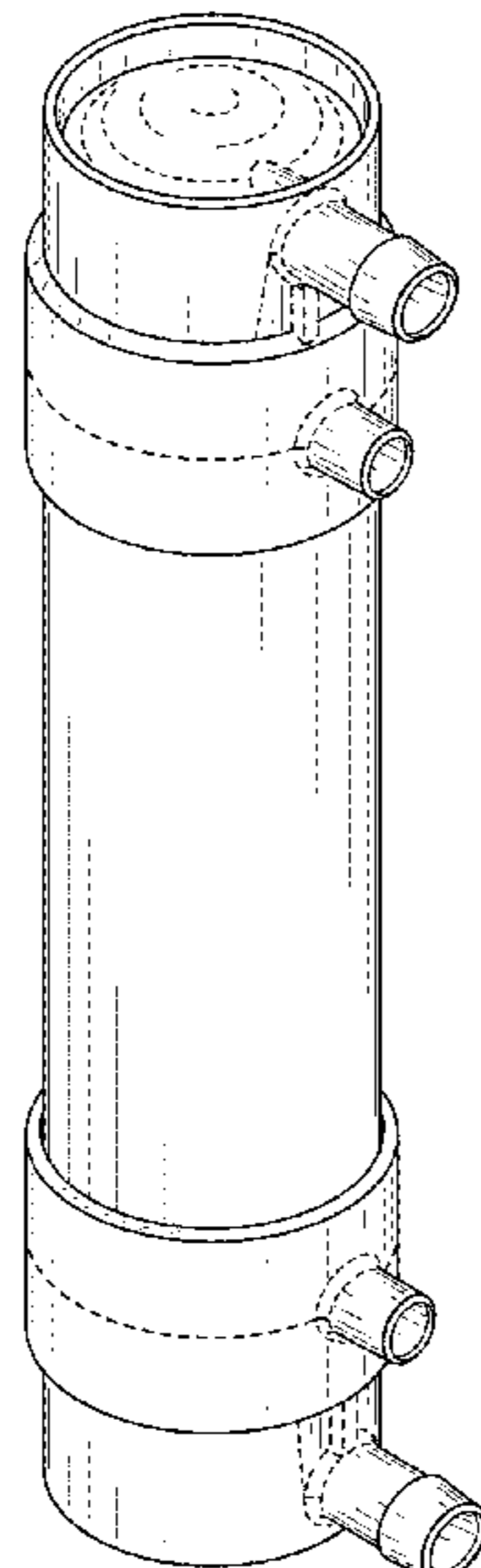
(56) **References Cited**

U.S. PATENT DOCUMENTS

4,430,994 A 2/1984 Clawson et al.
D288,129 S 2/1987 Taylor
D322,124 S 12/1991 Lichte et al.
6,493,883 B2 * 12/2002 Jones A47K 11/12
4/144.1
D492,772 S * 7/2004 Austin D24/110
D569,008 S * 5/2008 Lundqvist D24/232
D640,786 S 6/2011 Sato et al.

The bottom view of the vapor transfer cartridge is the same as the top view thereof. The broken-line portions of the vapor transfer cartridge for use in a respiratory therapy system in FIGS. 1-7 are shown for illustrative purposes only and form no part of the claimed design.

1 Claim, 3 Drawing Sheets



(56)

References Cited

U.S. PATENT DOCUMENTS

D735,880 S 8/2015 Bargh et al.
D765,836 S 9/2016 Kammer et al.
D803,394 S 11/2017 Hamel et al.
D804,653 S * 12/2017 Clark D24/121
D805,193 S 12/2017 Shoji et al.
2002/0069869 A1 * 6/2002 Farmer A61M 15/0086
128/200.22
2003/0008389 A1 * 1/2003 Carll B01F 11/0082
435/302.1
2005/0039746 A1 * 2/2005 Grychowski A61M 15/0086
128/204.18
2009/0137920 A1 * 5/2009 Colman A61B 5/097
600/543
2010/0059053 A1 3/2010 Niland
2012/0137879 A1 6/2012 Taylor et al.

FOREIGN PATENT DOCUMENTS

WO WO-2007038152 4/2007
WO WO-2009045198 4/2009
WO WO-2016110321 7/2016

* cited by examiner

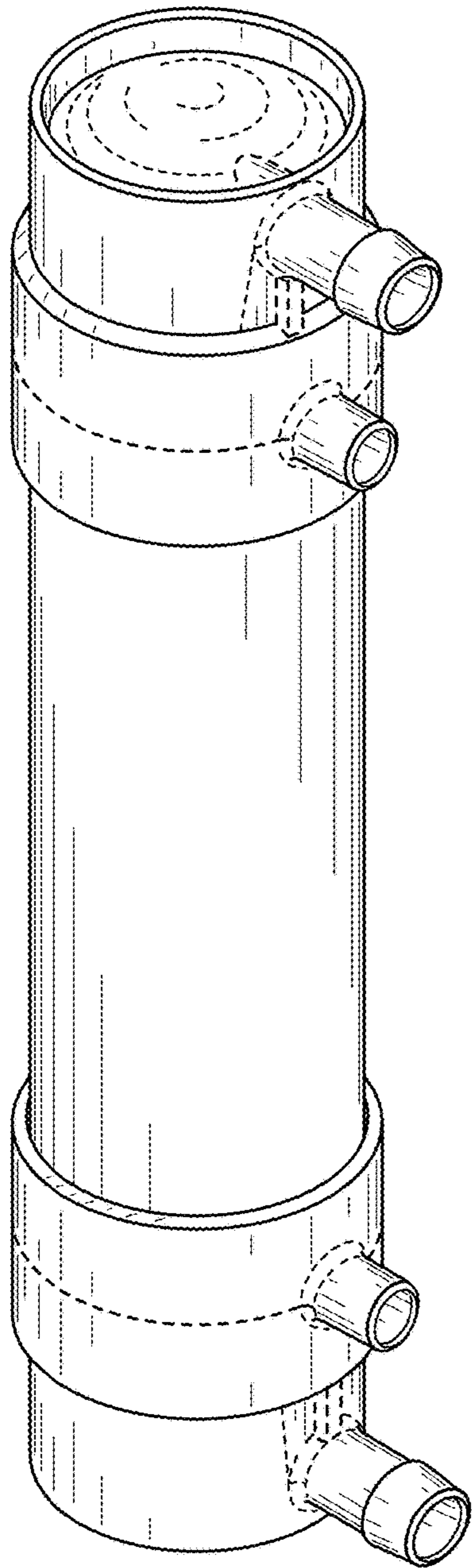


FIG. 1

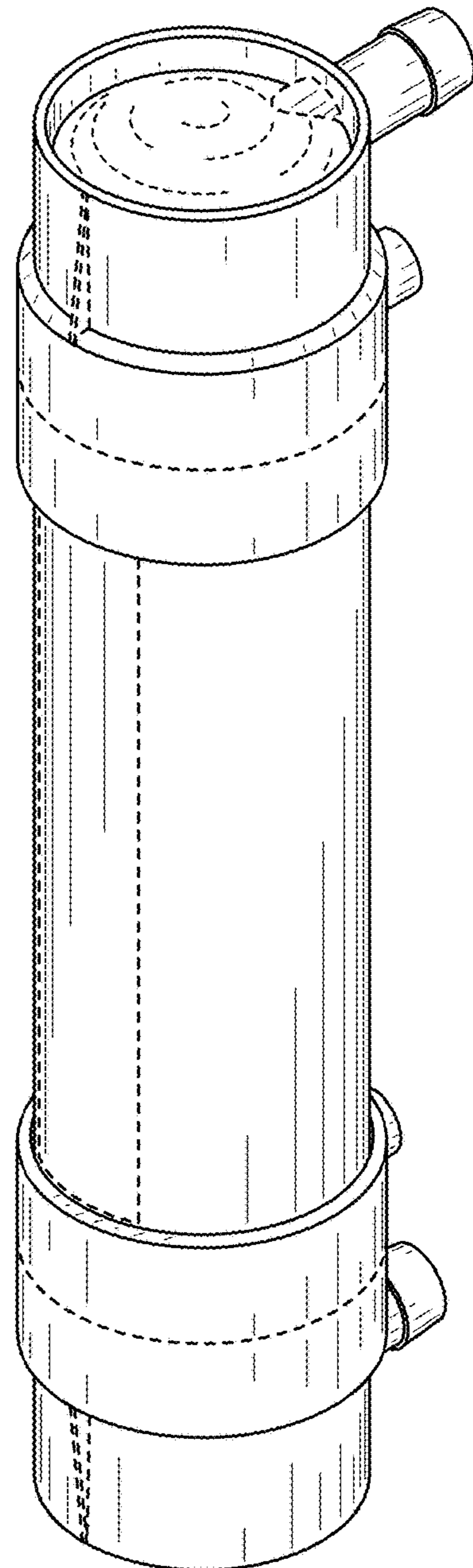


FIG. 2

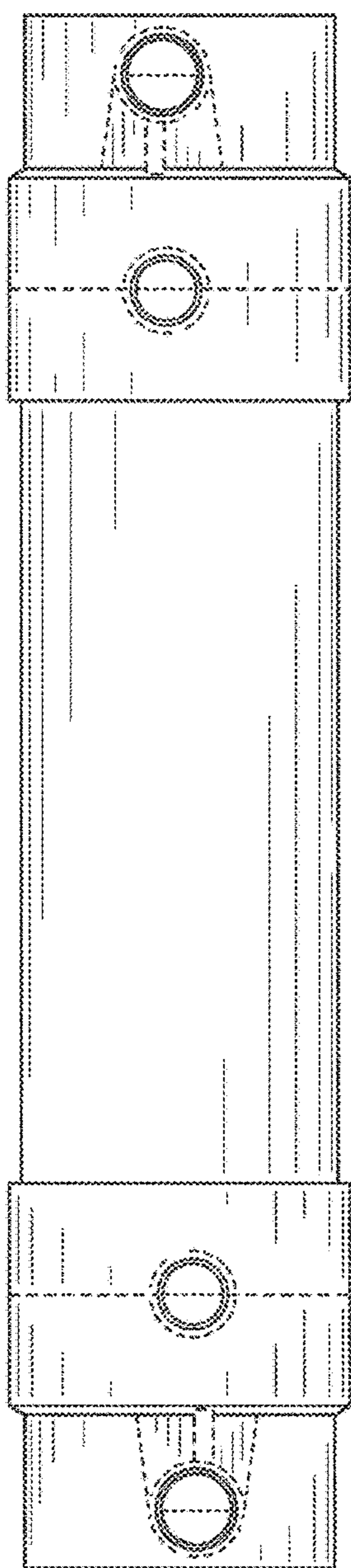


FIG. 3

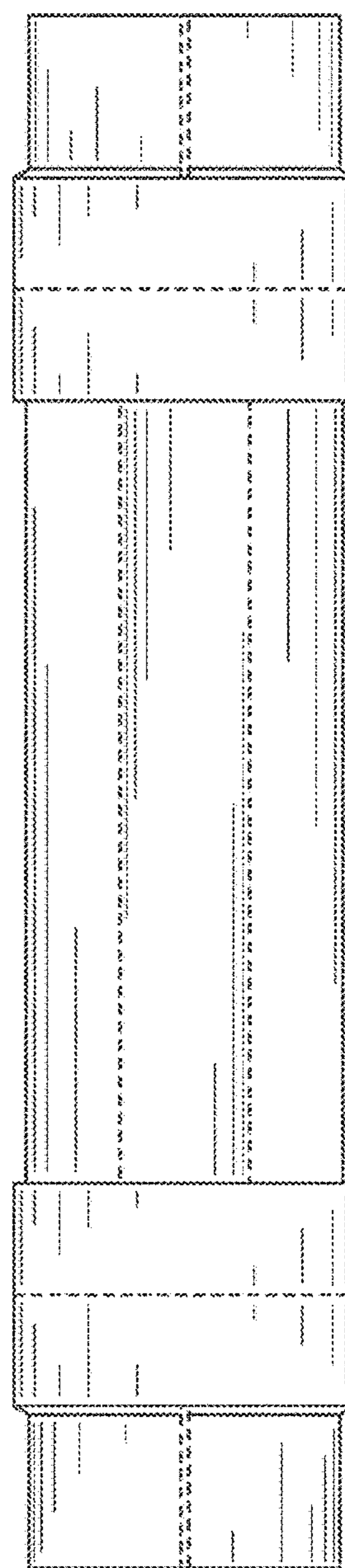


FIG. 4

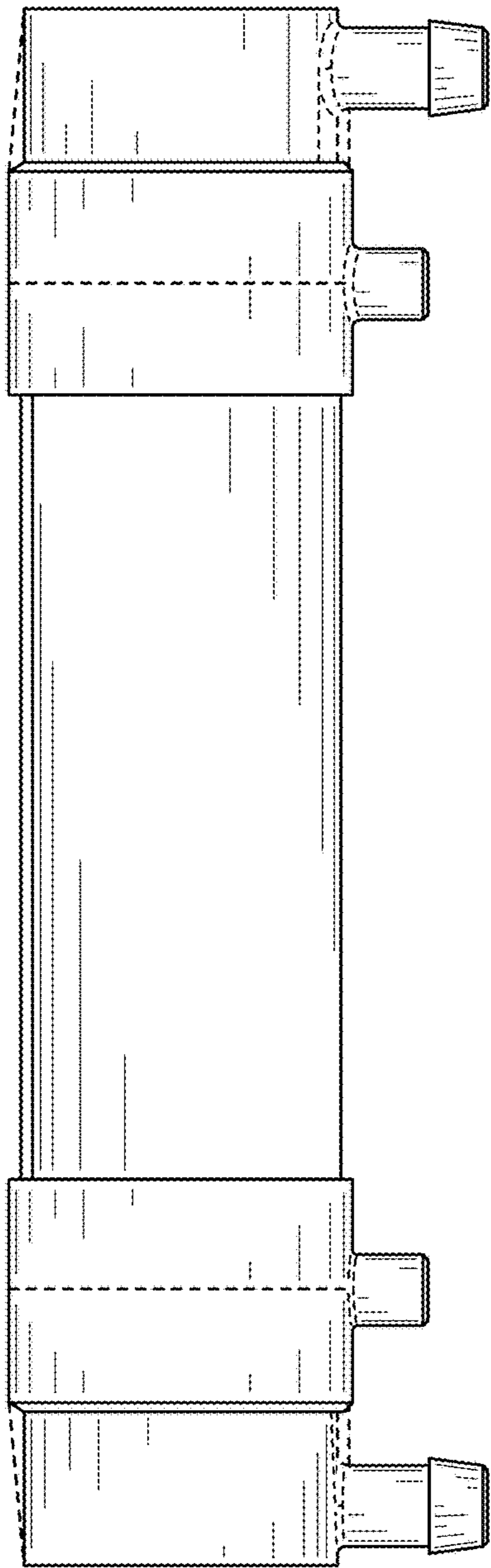


FIG. 5

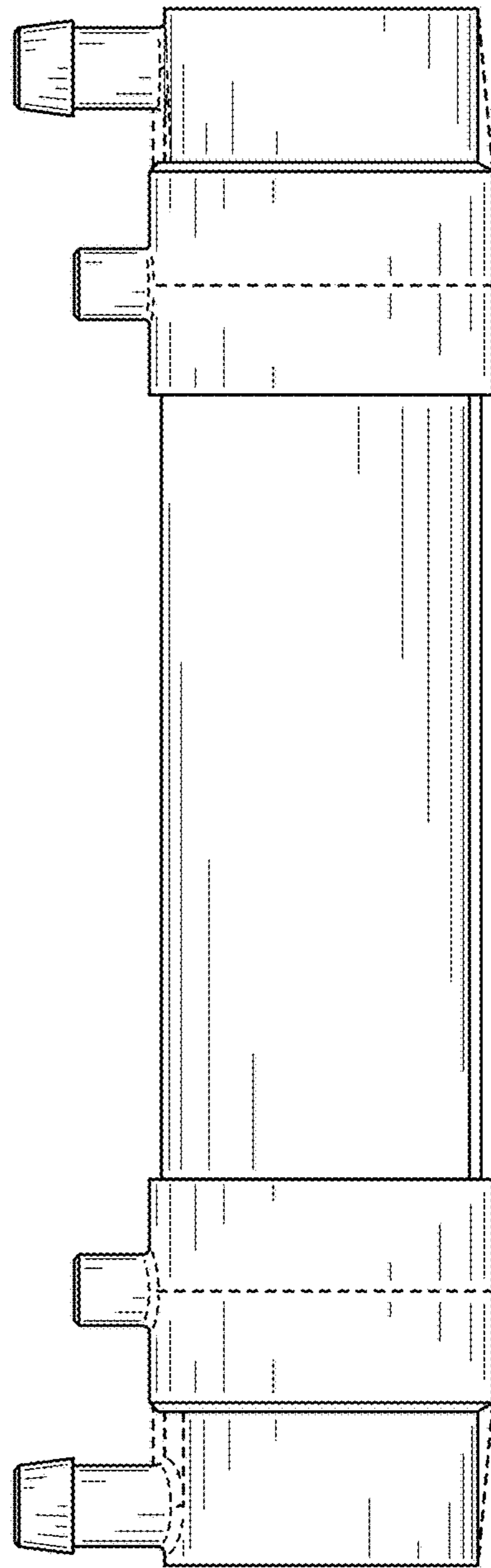


FIG. 6

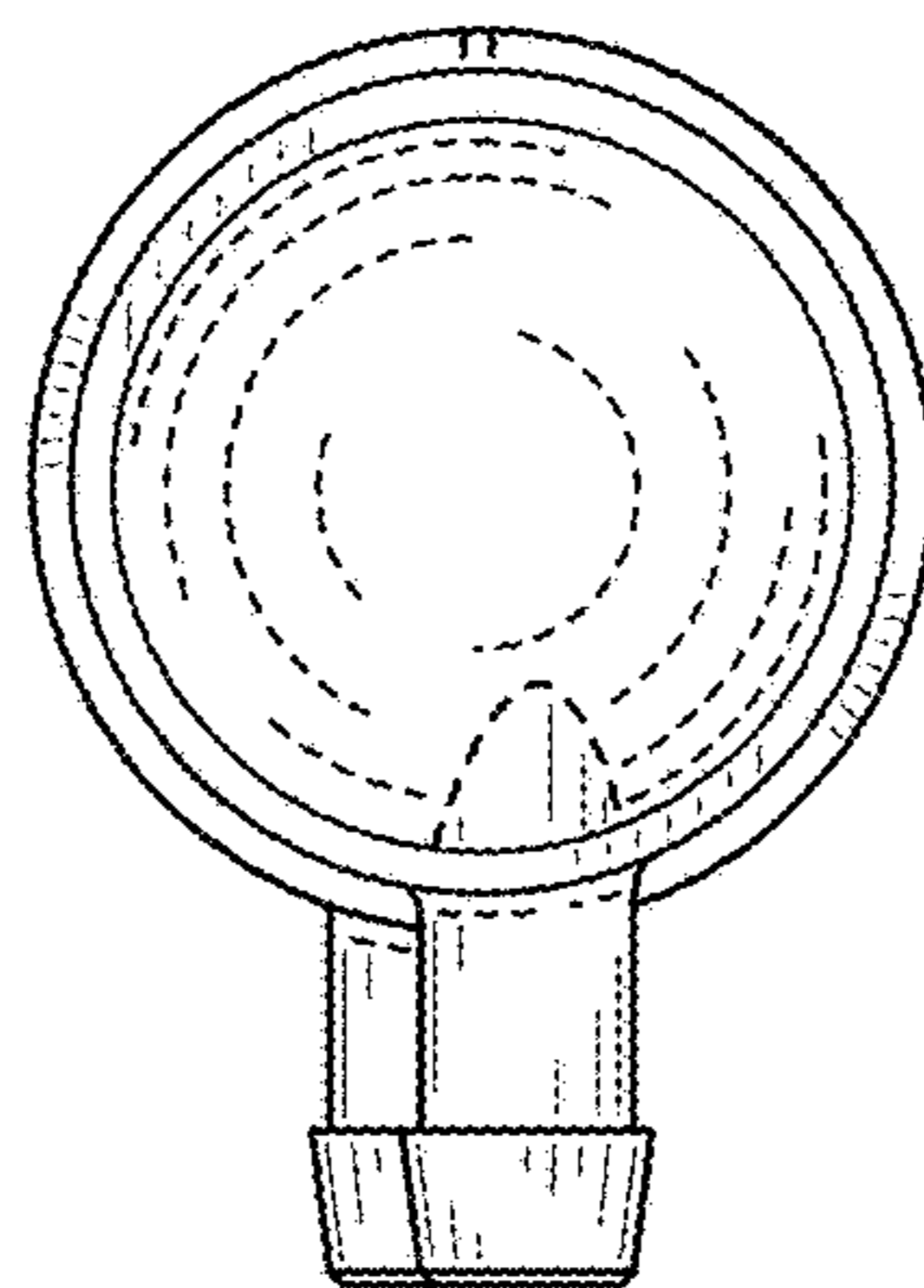


FIG. 7