



US00D861861S

(12) **United States Design Patent** (10) **Patent No.:** **US D861,861 S**
Kreuzer (45) **Date of Patent:** **** *Oct. 1, 2019**

(54) **ABSORBENT ARTICLE WITH CHANNELS**

D383,207 S 9/1997 Cassell
D476,416 S * 6/2003 MacDonagh D24/124
D541,932 S 5/2007 Lemaire et al.

(71) Applicant: **The Procter & Gamble Company**,
Cincinnati, OH (US)

(Continued)

(72) Inventor: **Carsten Heinrich Kreuzer**, Hofheim
(DE)

Primary Examiner — Michelle E. Wilson
(74) *Attorney, Agent, or Firm* — Wednesday G. Shipp

(73) Assignee: **The Procter & Gamble Company**,
Cincinnati, OH (US)

(57) **CLAIM**

The ornamental design for an absorbent article with channels, as shown and described.

(*) Notice: This patent is subject to a terminal disclaimer.

DESCRIPTION

(**) Term: **15 Years**

(21) Appl. No.: **29/580,143**

(22) Filed: **Oct. 6, 2016**

FIG. 1 illustrates a perspective view of an embodiment of a channels design disposed on a material, included as part of an absorbent article, being worn, by a wearer, e.g. a child; FIG. 2 illustrates a front view of an embodiment of a channels design disposed on a material, included as part of an absorbent article, being worn, by a wearer, e.g. a child; FIG. 3 illustrates a right side view of an embodiment of a channels design disposed on a material, included as part of an absorbent article, being worn, by a wearer, e.g. a child, and the channels design is obstructed from view; FIG. 4 illustrates a back view of an embodiment of a channels design disposed on a material, included as part of an absorbent article, being worn, by a wearer, e.g. a child; FIG. 5 illustrates a left side view of an embodiment of a channels design disposed on a material, included as part of an absorbent article, being worn, by a wearer, e.g. a child, and the channels design is obstructed from view; and, FIG. 6 illustrates a bottom view of an embodiment of a channels design disposed on a material, included as part of an absorbent article, being worn, by a wearer, e.g. a child. The channels are visually distinct from the surface of the absorbent article upon which they are disposed. In various embodiments, the distinction may be exhibited as printed graphics, grooves, or combinations thereof. The broken lines, including those showing the diaper tabs and ears, are included for the purpose of illustrating environment and forms no part of the claimed design.

Related U.S. Application Data

(63) Continuation of application No. 29/476,221, filed on Dec. 12, 2013, now Pat. No. Des. 783,812.

(51) **LOC (12) Cl.** **24-04**

(52) **U.S. Cl.**
USPC **D24/126**

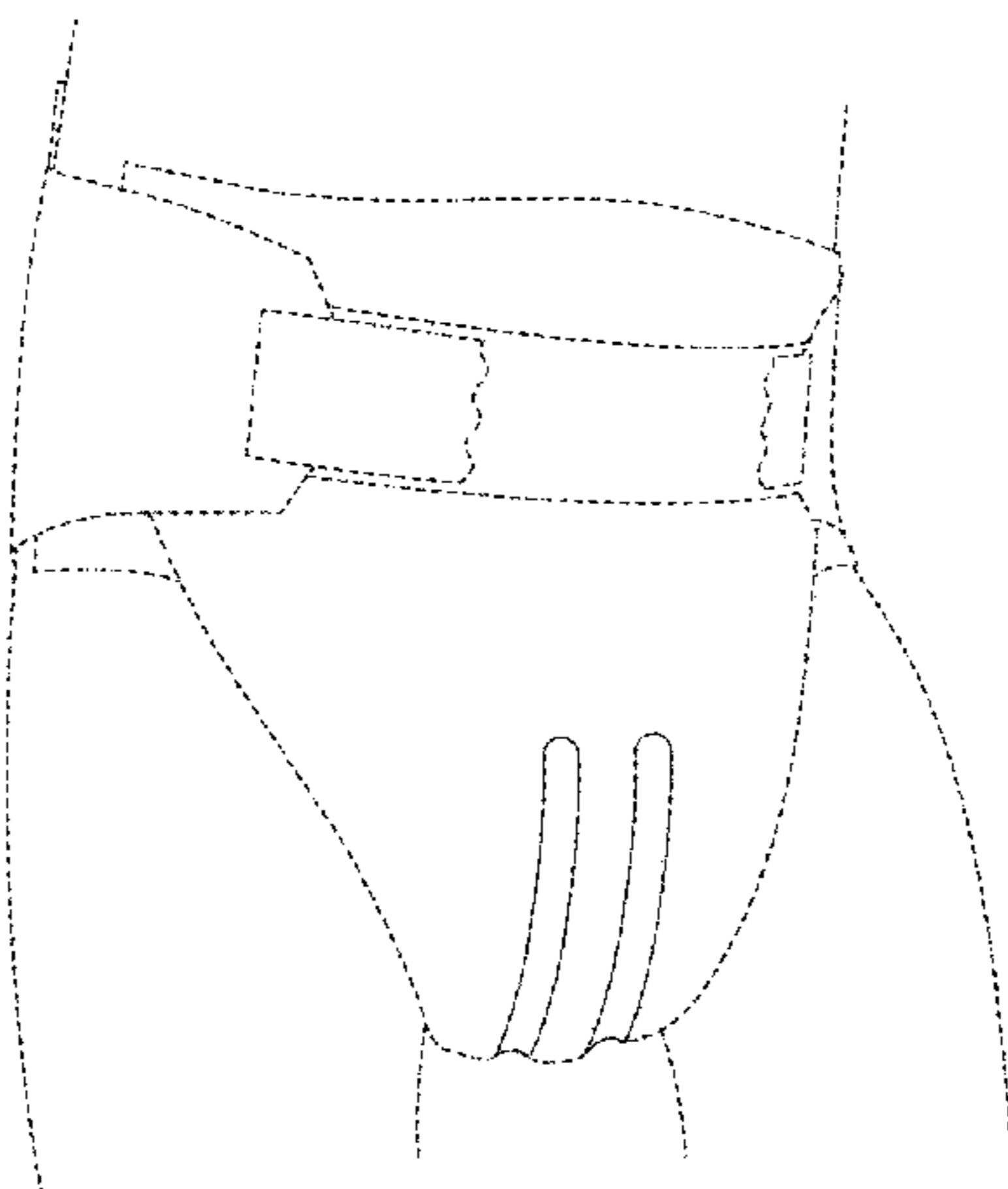
(58) **Field of Classification Search**
USPC D24/124–126
CPC A61F 13/47218; A61F 13/4704; A61F 13/476; A61F 13/15203; A61F 13/4756; A61F 13/5616; A61F 13/4758; A61F 13/15; A61F 2013/4706
See application file for complete search history.

(56) **References Cited**

U.S. PATENT DOCUMENTS

2,252,992 A 8/1941 Steiner
D332,832 S 1/1993 Powell
D345,014 S 3/1994 Huffman

1 Claim, 6 Drawing Sheets



(56)

References Cited

U.S. PATENT DOCUMENTS

D561,334 S	2/2008	Martynus et al.	
D607,560 S	1/2010	Bruzadin et al.	
D631,958 S	2/2011	Marcelo et al.	
D648,849 S	11/2011	Houle	
D651,306 S	12/2011	Misiti et al.	
D715,923 S	10/2014	Cardin et al.	
D721,804 S	1/2015	Cutshaw et al.	
D783,812 S *	4/2017	Kreuzer	D24/126
D809,653 S *	2/2018	Kremer	D24/126

* cited by examiner

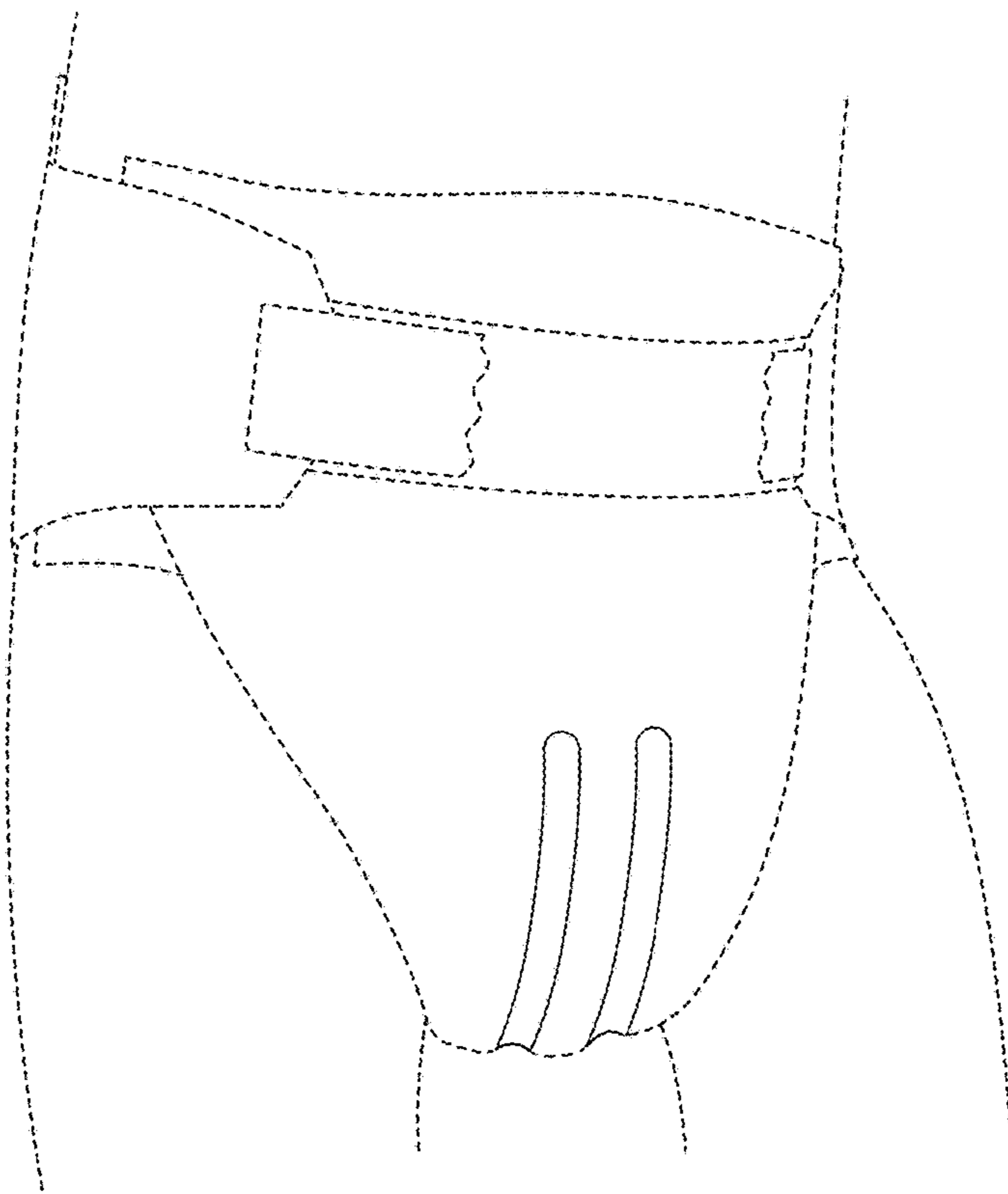


Fig. 1

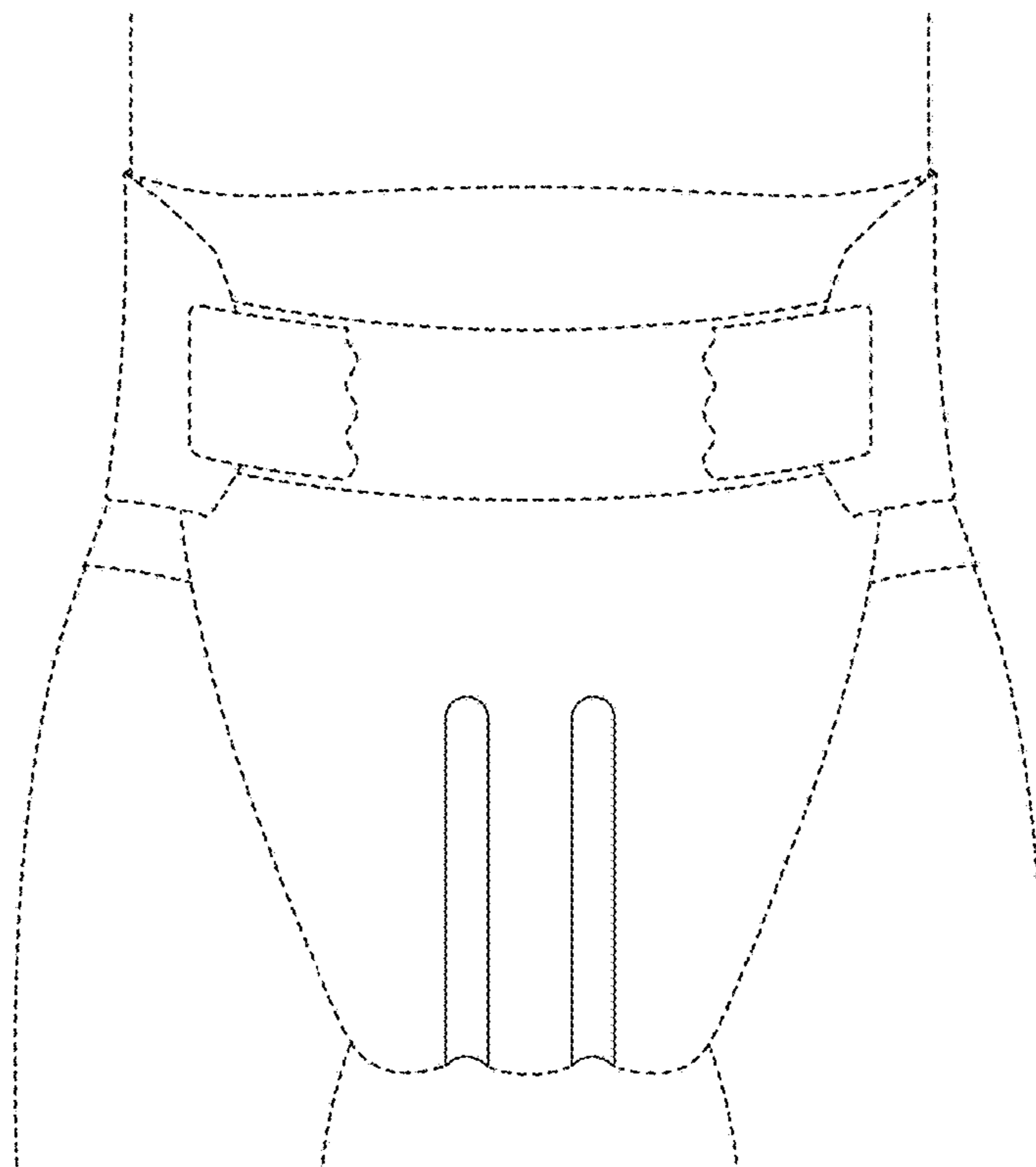


Fig. 2

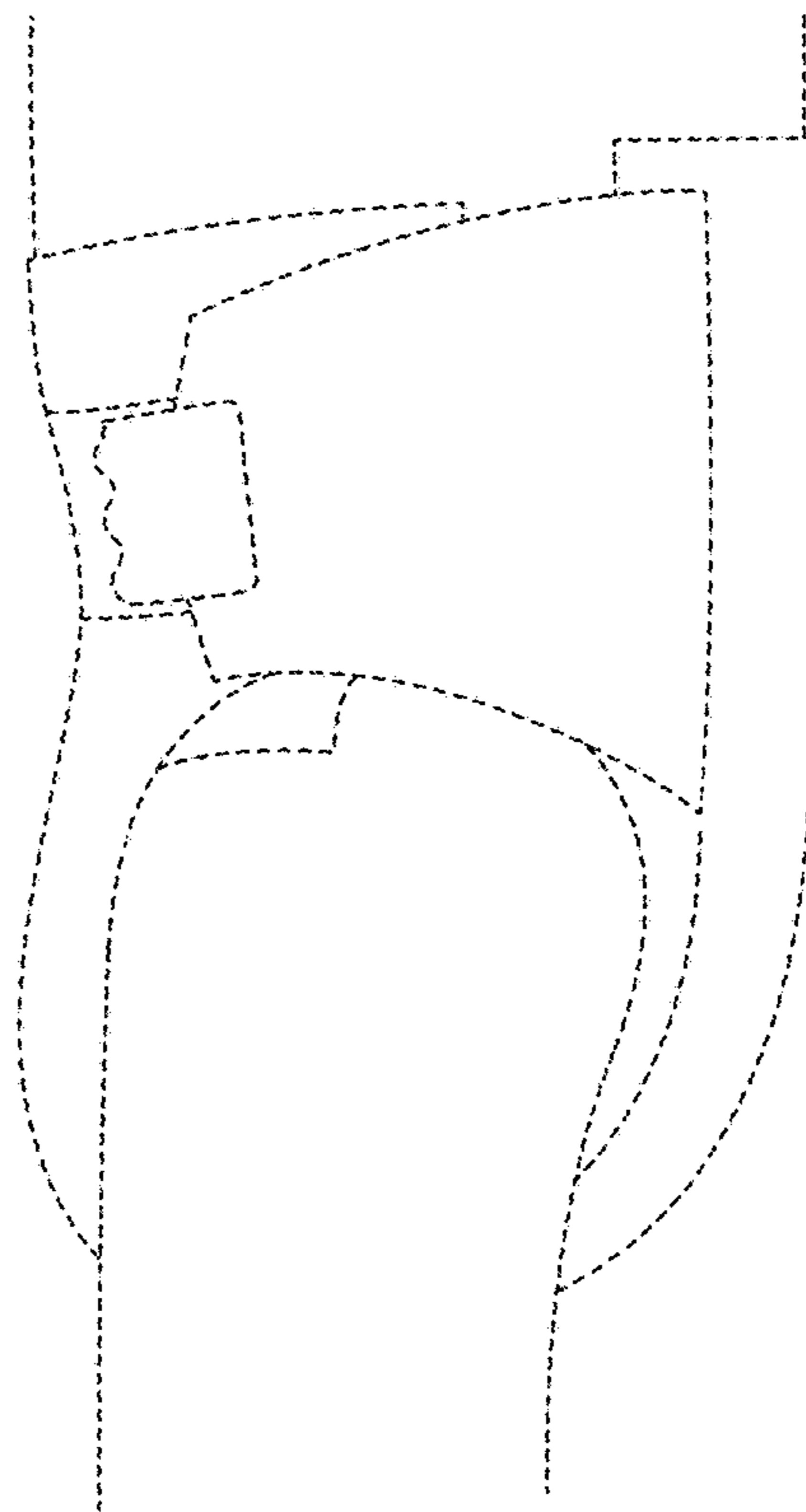


Fig. 3

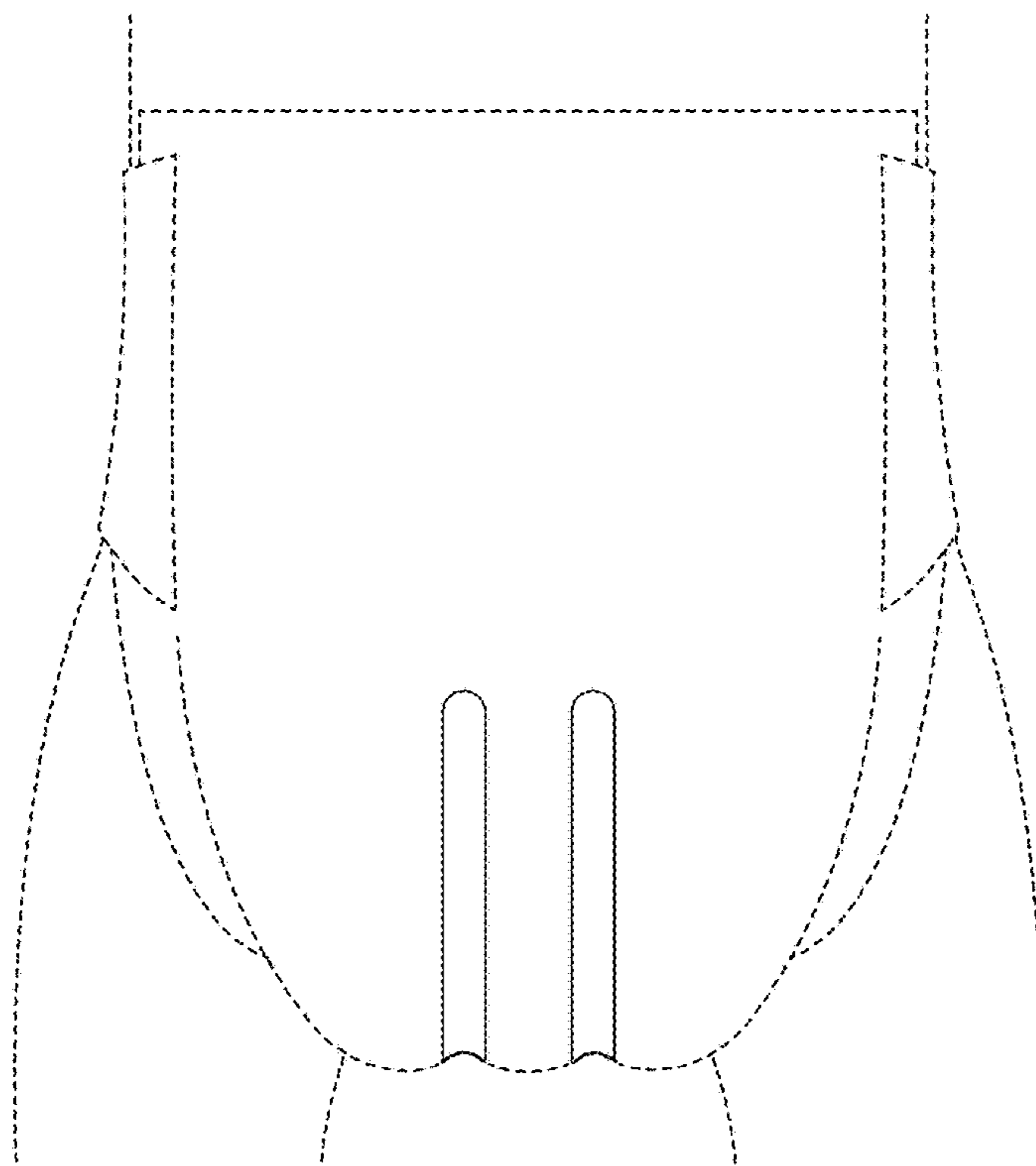


Fig. 4

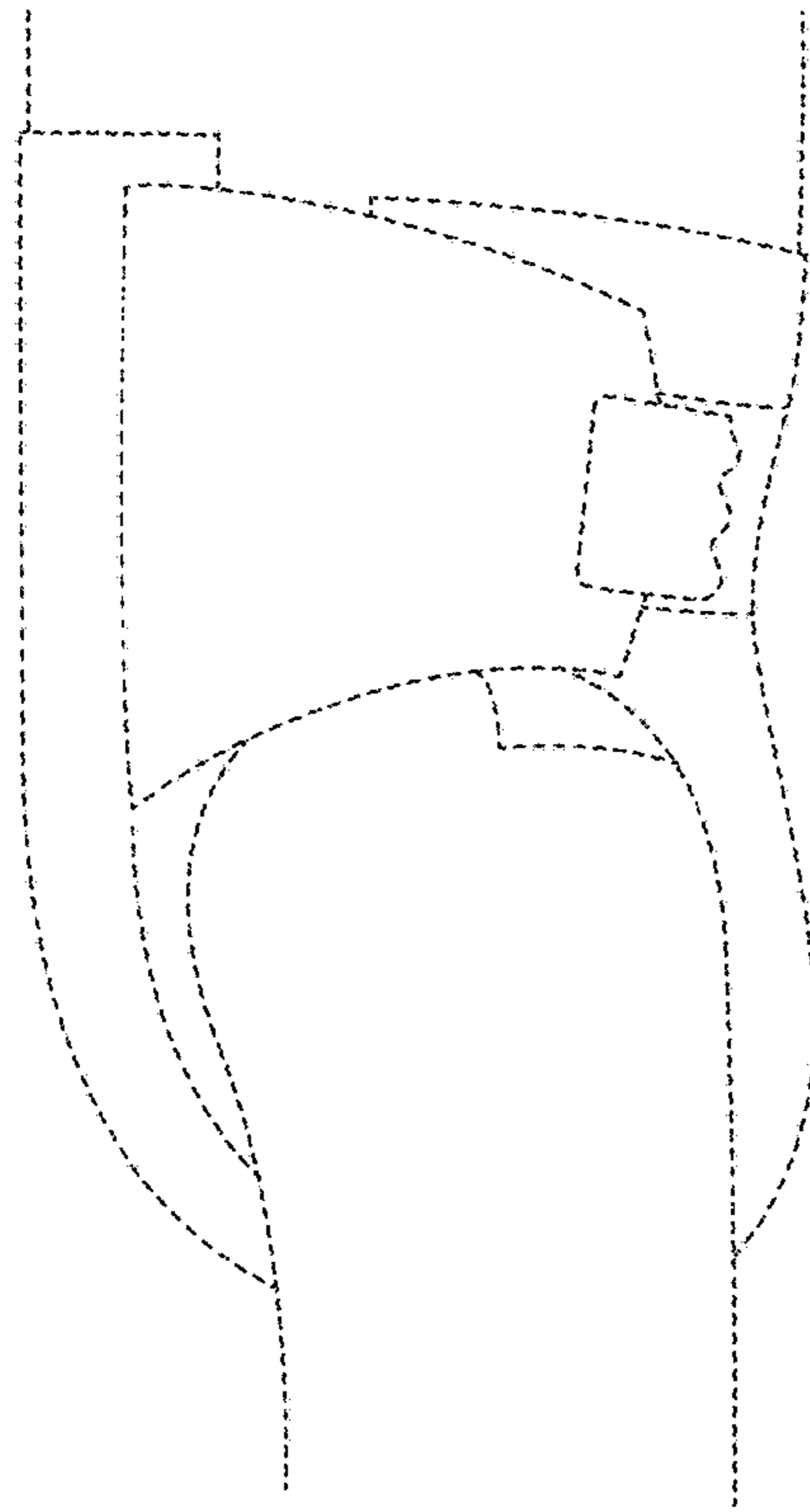


Fig. 5

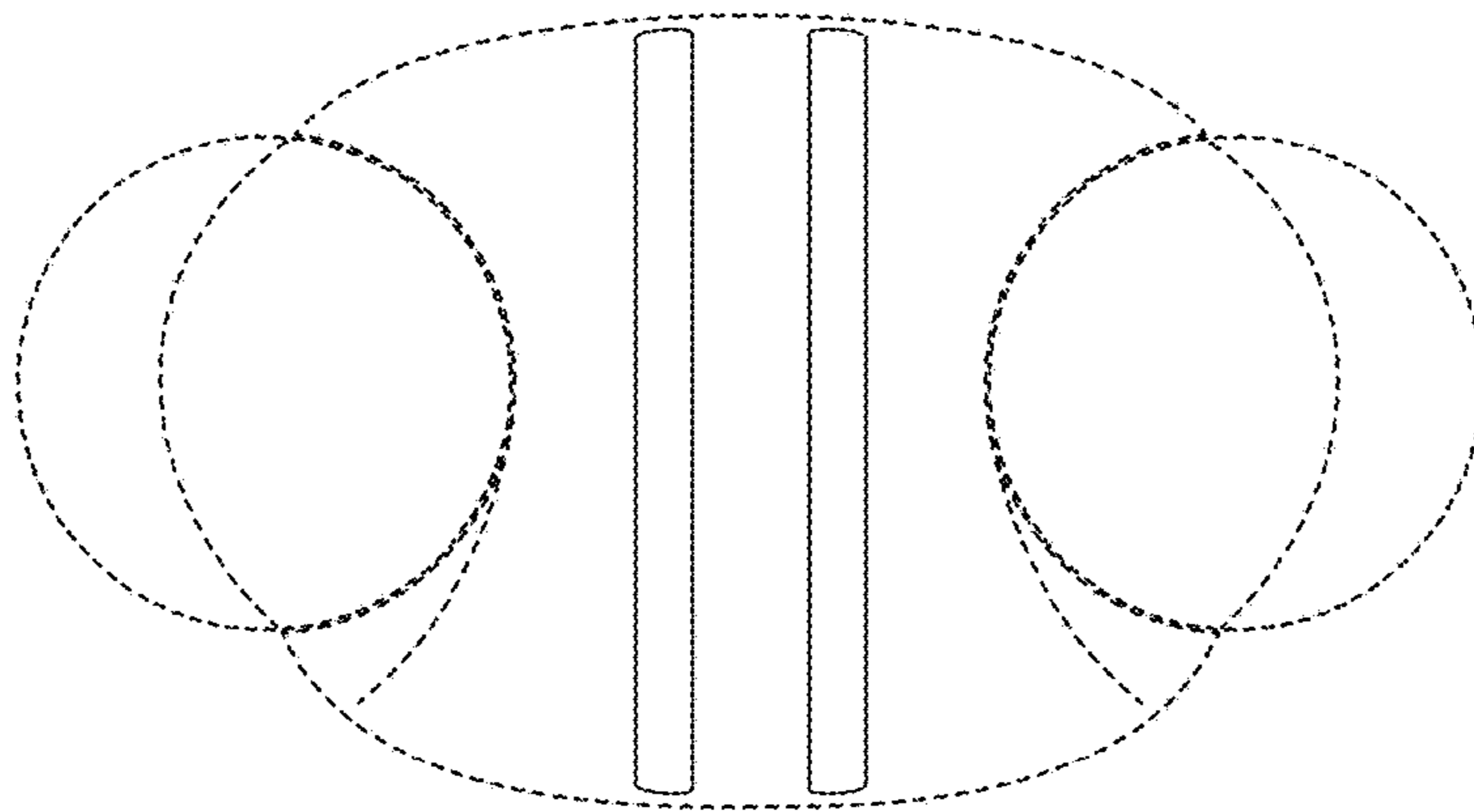


Fig. 6