



US00D861860S

(12) **United States Design Patent** (10) **Patent No.:** **US D861,860 S**  
**Stiehl** (45) **Date of Patent:** **\*\* Oct. 1, 2019**

(54) **WOUND IRRIGATION DEVICE**  
 (71) Applicant: **James Bowen Stiehl**, Salem, IL (US)  
 (72) Inventor: **James Bowen Stiehl**, Salem, IL (US)  
 (\*\*) Term: **15 Years**  
 (21) Appl. No.: **29/626,227**  
 (22) Filed: **Nov. 15, 2017**  
 (51) **LOC (12) Cl.** ..... **24-02**  
 (52) **U.S. Cl.**  
 USPC ..... **D24/113**  
 (58) **Field of Classification Search**  
 USPC ..... D24/112–114, 108, 133, 130, 127, 186;  
 606/181, 185; 604/264, 272, 187, 181,  
 604/184, 227  
 CPC ..... A61M 5/178; A61M 3/00; A61M 5/20;  
 A61M 5/31; A61M 5/3146; A61M  
 5/3129; A61M 5/3148; A61M 5/315  
 See application file for complete search history.

(56) **References Cited**  
 U.S. PATENT DOCUMENTS  
 4,963,306 A \* 10/1990 Weldon ..... A61M 25/0009  
 264/101  
 D334,803 S \* 4/1993 Discko, Jr. .... D24/112  
 D357,065 S \* 4/1995 Castellini ..... D24/112  
 D359,119 S \* 6/1995 Dragan ..... D24/114

D438,954 S \* 3/2001 Orsing ..... D24/112  
 D451,597 S \* 12/2001 Suh ..... D24/108  
 D571,458 S \* 6/2008 Kataoka ..... D24/108  
 7,618,430 B2 \* 11/2009 Scheib ..... A61B 17/3478  
 604/164.1  
 D710,495 S \* 8/2014 Wu ..... D24/112  
 D771,248 S \* 11/2016 Ruiz, Sr. .... D24/133  
 D771,819 S \* 11/2016 Pieroni ..... D24/112  
 D774,908 S \* 12/2016 Eckstein ..... D24/130  
 D809,123 S \* 1/2018 Ishikawa ..... D24/108

\* cited by examiner

*Primary Examiner* — David G Muller  
 (74) *Attorney, Agent, or Firm* — Foley & Lardner LLP

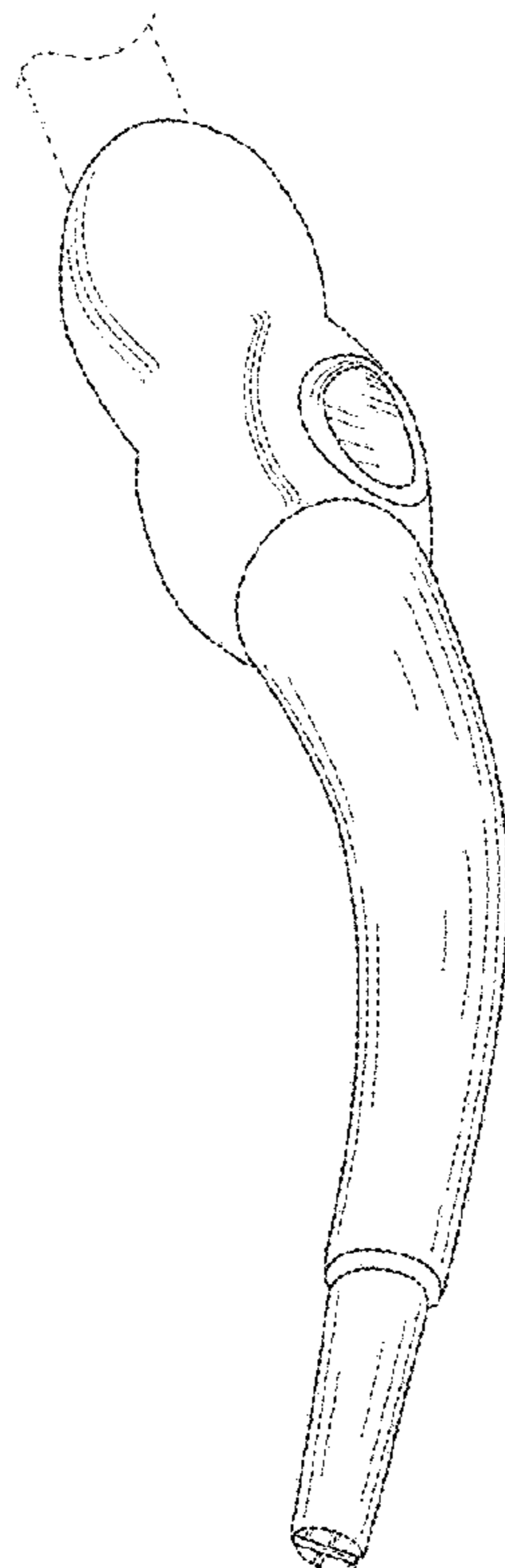
(57) **CLAIM**

The ornamental design for a wound irrigation device, as shown.

**DESCRIPTION**

FIG. 1 is a front top perspective view of a wound irrigation device showing my new design;  
 FIG. 2 is a front elevation view thereof;  
 FIG. 3 is a rear elevation view thereof;  
 FIG. 4 is a top plan view thereof;  
 FIG. 5 is a bottom plan view thereof; and,  
 FIG. 6 is a right side elevation view thereof.  
 The broken line showing of the proximal section of tubing is included for the purpose of illustrating use and environment and forms no part of the claimed design.

**1 Claim, 3 Drawing Sheets**



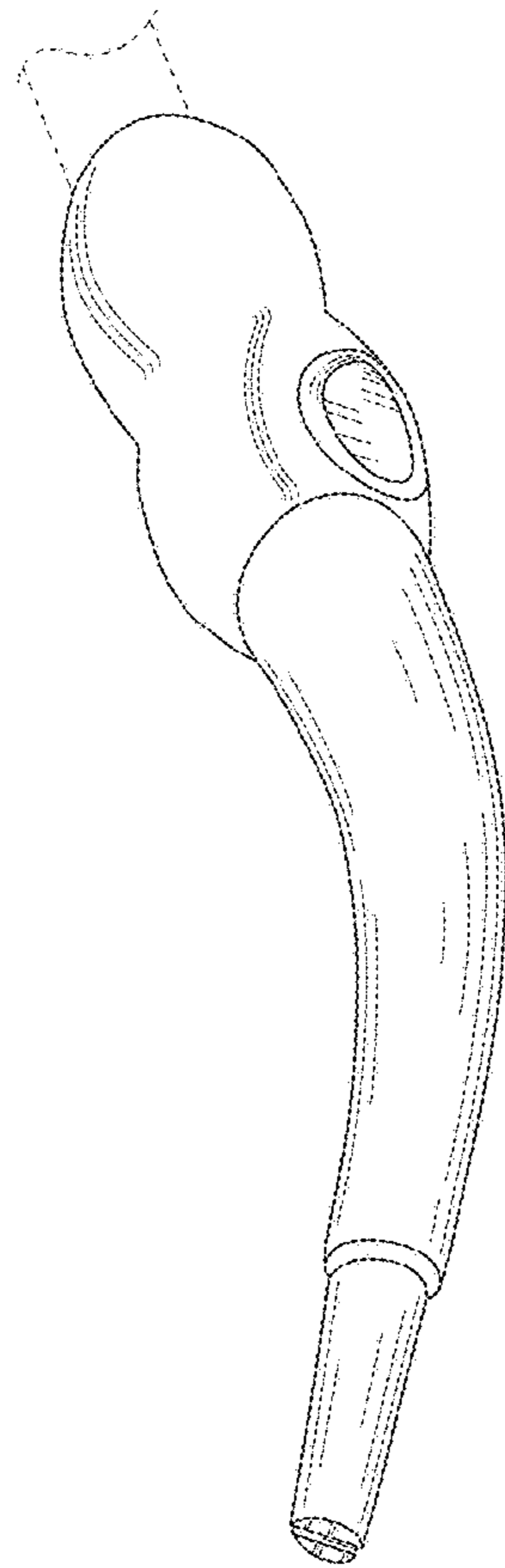


FIG. 1

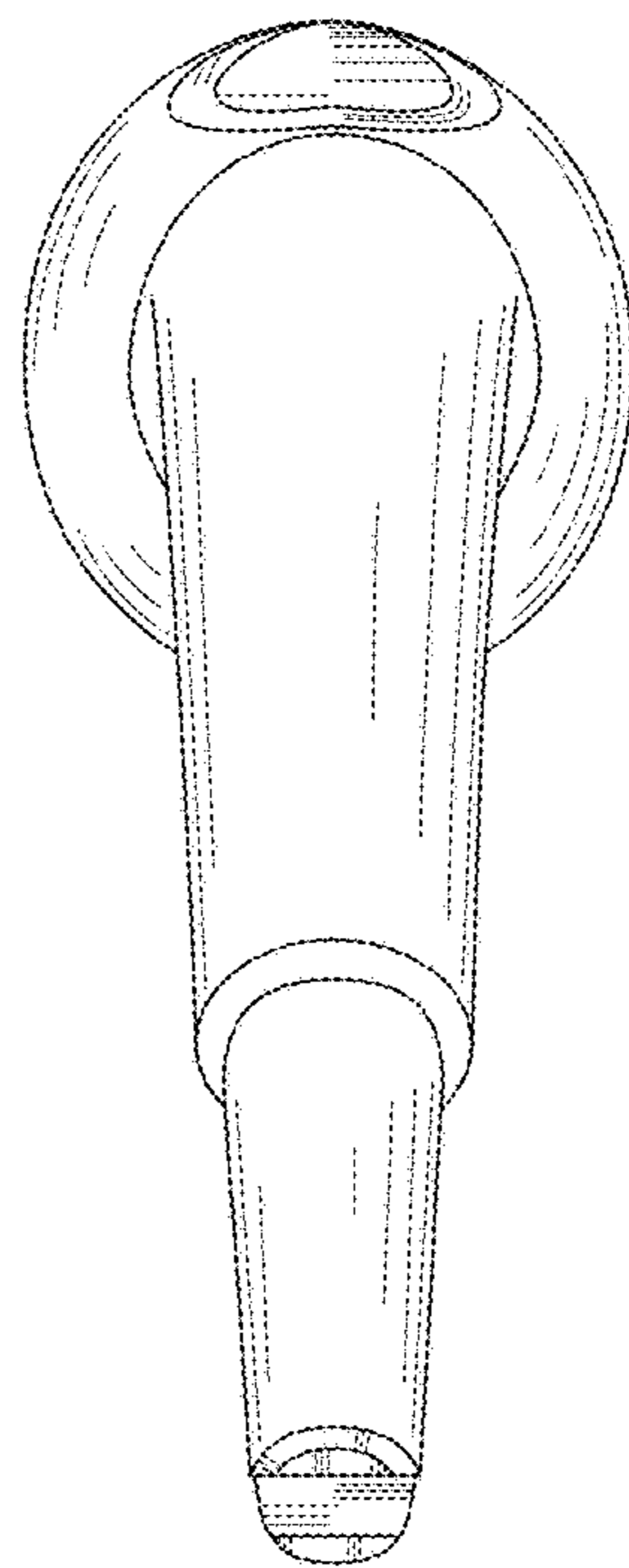


FIG. 2

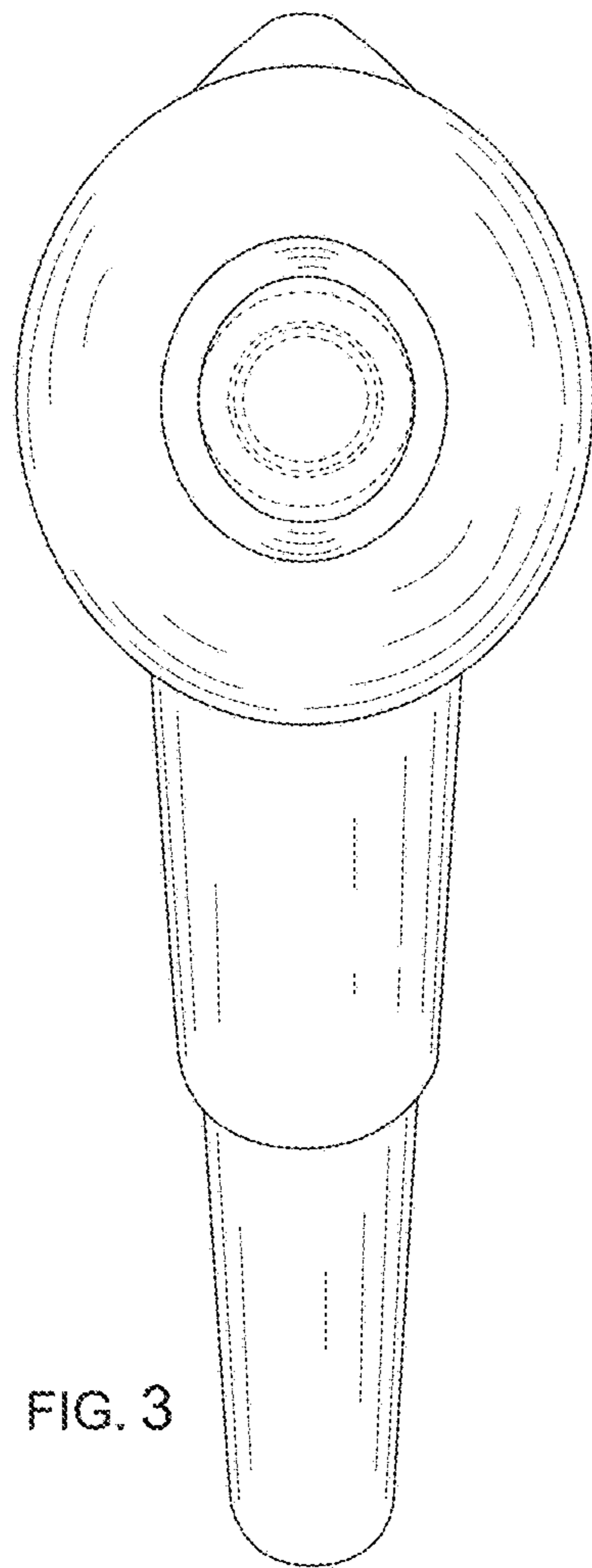


FIG. 3

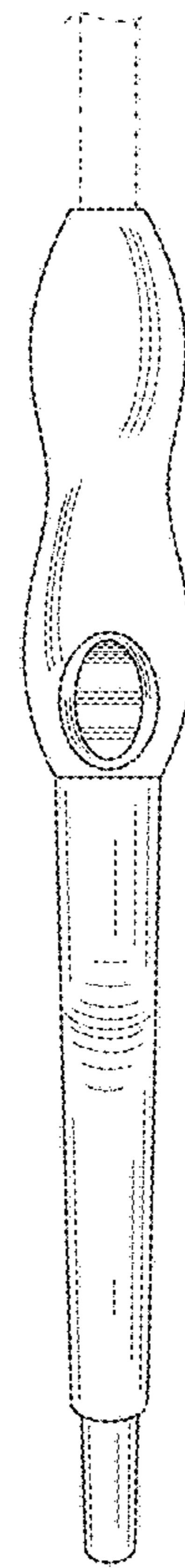


FIG. 4

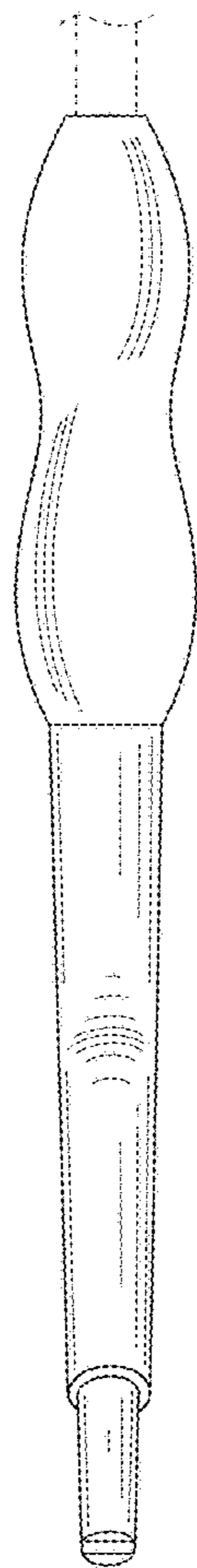


FIG. 5

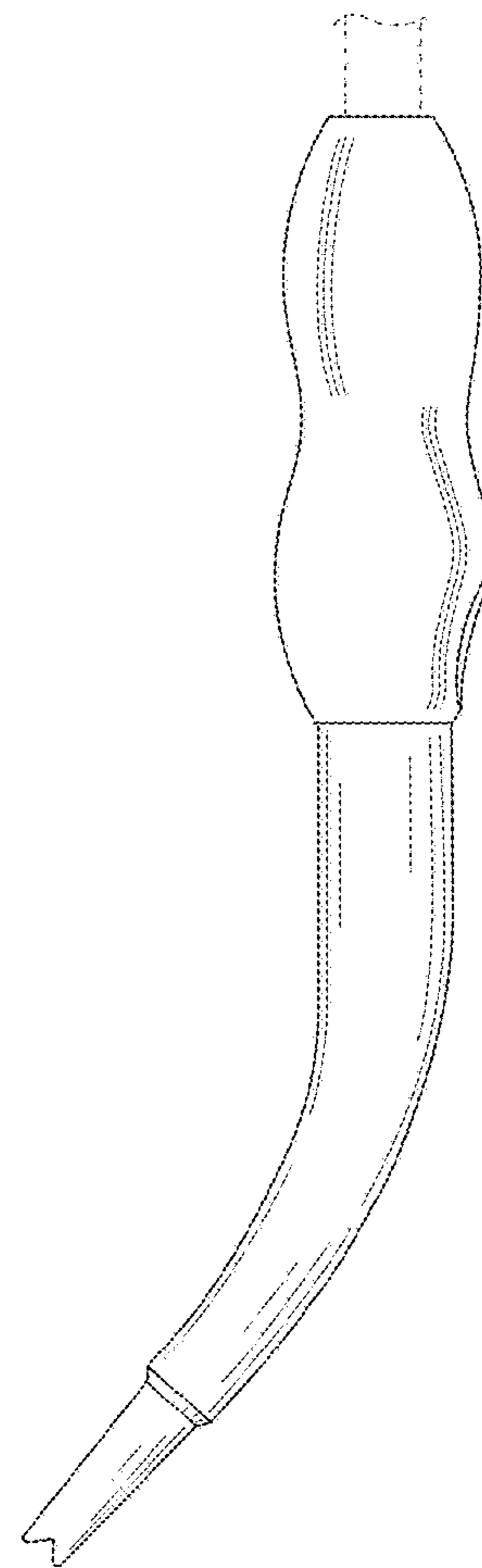


FIG. 6